



US00D561666S

(12) **United States Design Patent**
Nakayama

(10) **Patent No.:** **US D561,666 S**
(45) **Date of Patent:** **** Feb. 12, 2008**

(54) **FOOT BRAKE LOCK**

JP 2004-149050 A 5/2004

(76) Inventor: **Ichiro Nakayama**, 8-2,
Okamachiminami 2-chome,
Toyonaka-shi, Osaka (JP)

* cited by examiner

(**) Term: **14 Years**

Primary Examiner—Robert M. Spear
Assistant Examiner—Abraham Bahta
(74) *Attorney, Agent, or Firm*—Griffin & Szipl, P.C.

(21) Appl. No.: **29/248,576**

(22) Filed: **Aug. 22, 2006**

(57) **CLAIM**

(51) **LOC (8) Cl.** **12-16**

The ornamental design for a foot brake lock, as shown and described.

(52) **U.S. Cl.** **D12/180**

(58) **Field of Classification Search** D12/179–180,
D12/207–209, 400; 188/26, 24.22, 73.1,
188/264 R, 73.31, 73.32, 73.33, 73.34, 73.35,
188/73.36, 73.37, 73.38, 73.39, 73.43, 73.45;
70/201, 202, 203; D8/331, 343
See application file for complete search history.

DESCRIPTION

(56) **References Cited**

U.S. PATENT DOCUMENTS

4,333,326 A	6/1982	Winters	
D376,783 S *	12/1996	Magalhaes	D12/180
D437,813 S *	2/2001	Terasawa	D12/180
D439,872 S *	4/2001	Terasawa	D12/180
D459,282 S *	6/2002	Oberti	D12/180
D465,179 S *	11/2002	Ballinger	D12/180
D471,140 S *	3/2003	Oberti	D12/180
6,662,894 B2 *	12/2003	Chantrasuwan et al.	180/287
D484,836 S *	1/2004	Gavin	D12/180
D494,902 S *	8/2004	Wen	D12/180
6,792,780 B1 *	9/2004	De Lucia	70/202
D509,173 S *	9/2005	Cornolti et al.	D12/180
D512,353 S *	12/2005	Aloy	D12/180
D513,722 S *	1/2006	Aloy	D12/180

FIG. 1 is a perspective view of the foot brake lock of the present invention as it may be applied to a foot brake (shown in phantom) of a vehicle.

FIG. 2 is a front view of the foot brake lock of the present invention.

FIG. 3 is a side view of the right side of the foot brake lock of the present invention.

FIG. 4 is a side view of the left side of the foot brake lock of the present invention.

FIG. 5 is a rear view of the foot brake lock of the present invention.

FIG. 6 is a top view of the foot brake lock of the present invention; and,

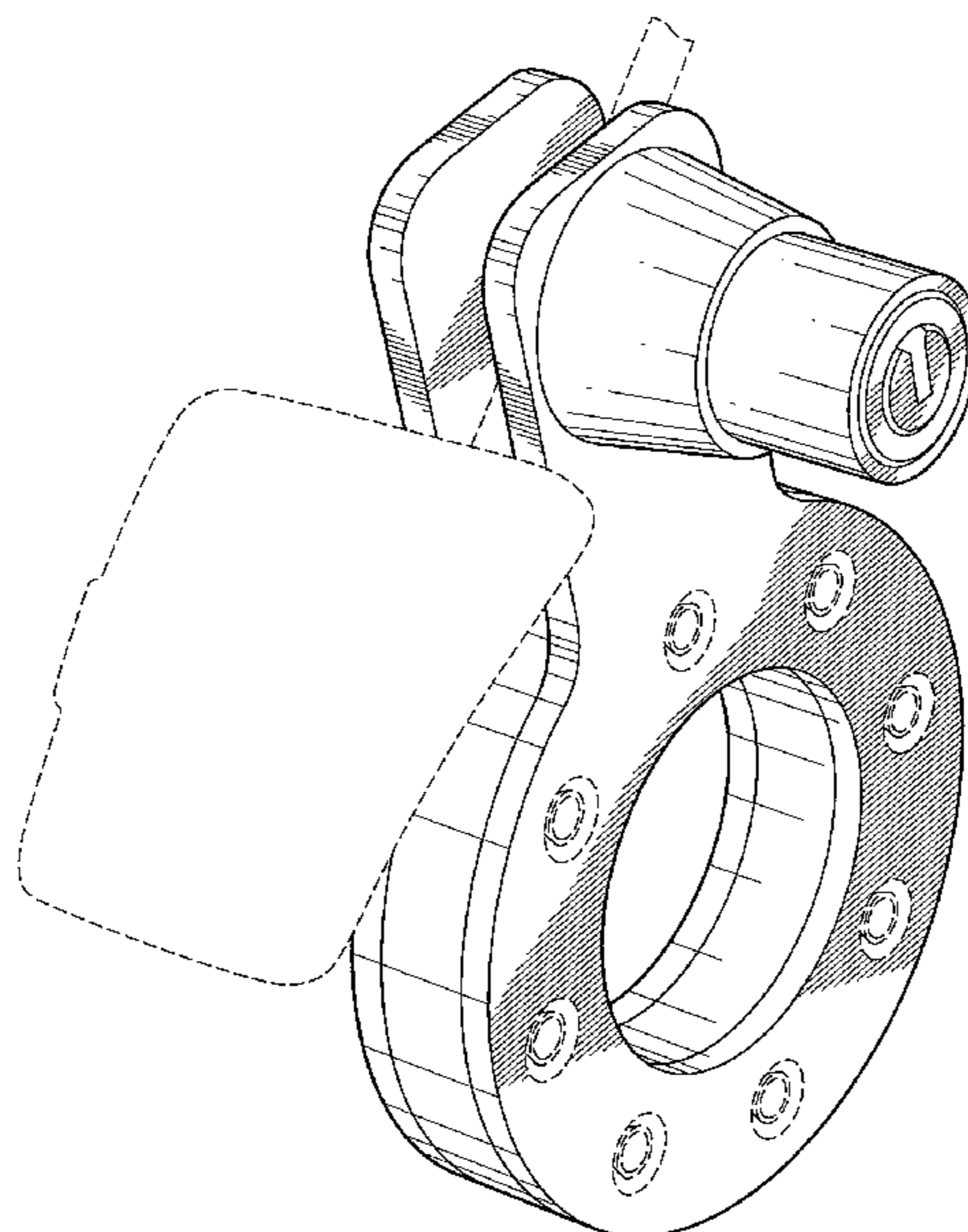
FIG. 7 is a bottom view of the foot brake lock of the present invention.

The broken lines shown in the drawings are for illustrative purposes only and form no part of the claimed design.

FOREIGN PATENT DOCUMENTS

JP 06132368 A 5/1994

1 Claim, 6 Drawing Sheets



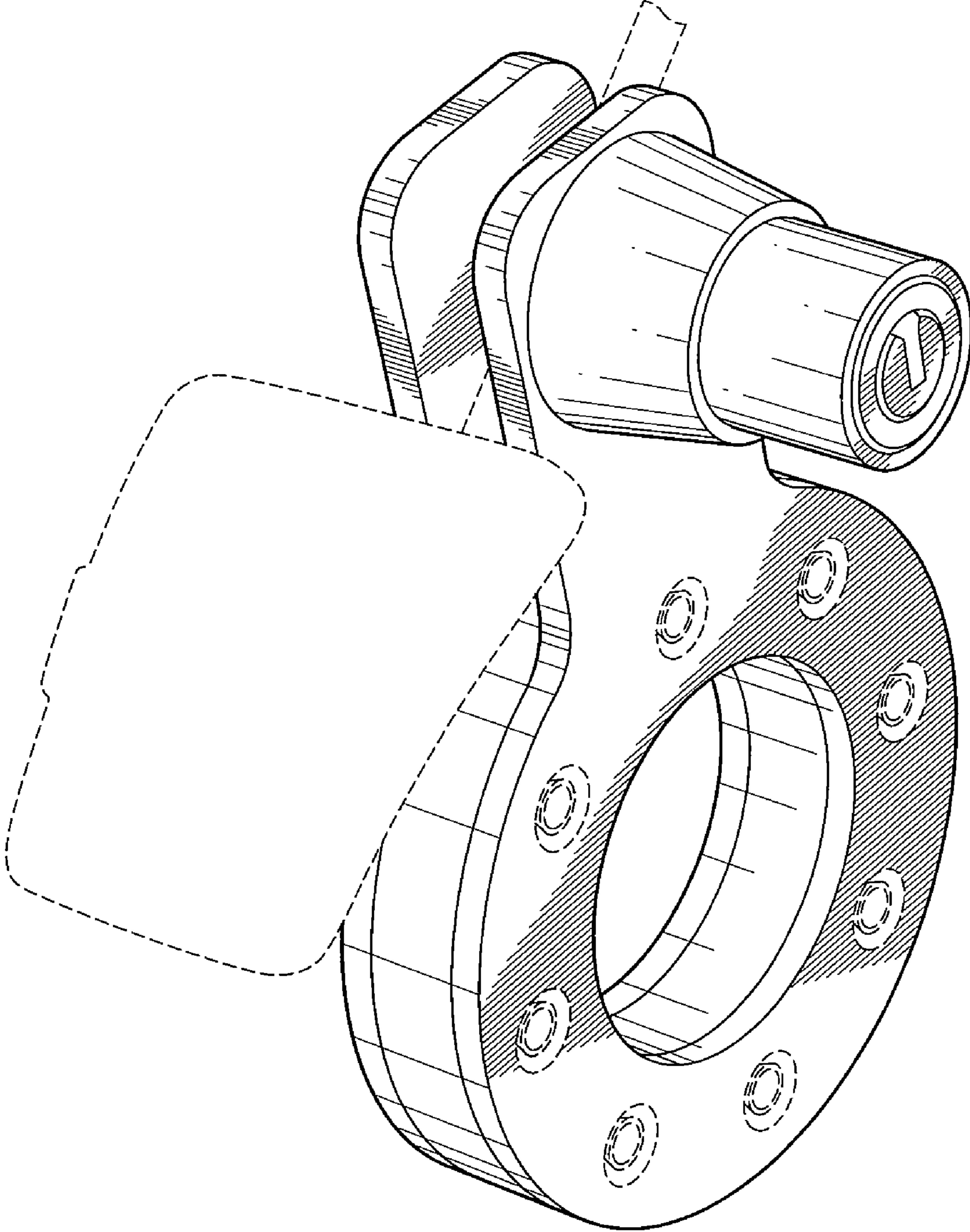


FIG. 1

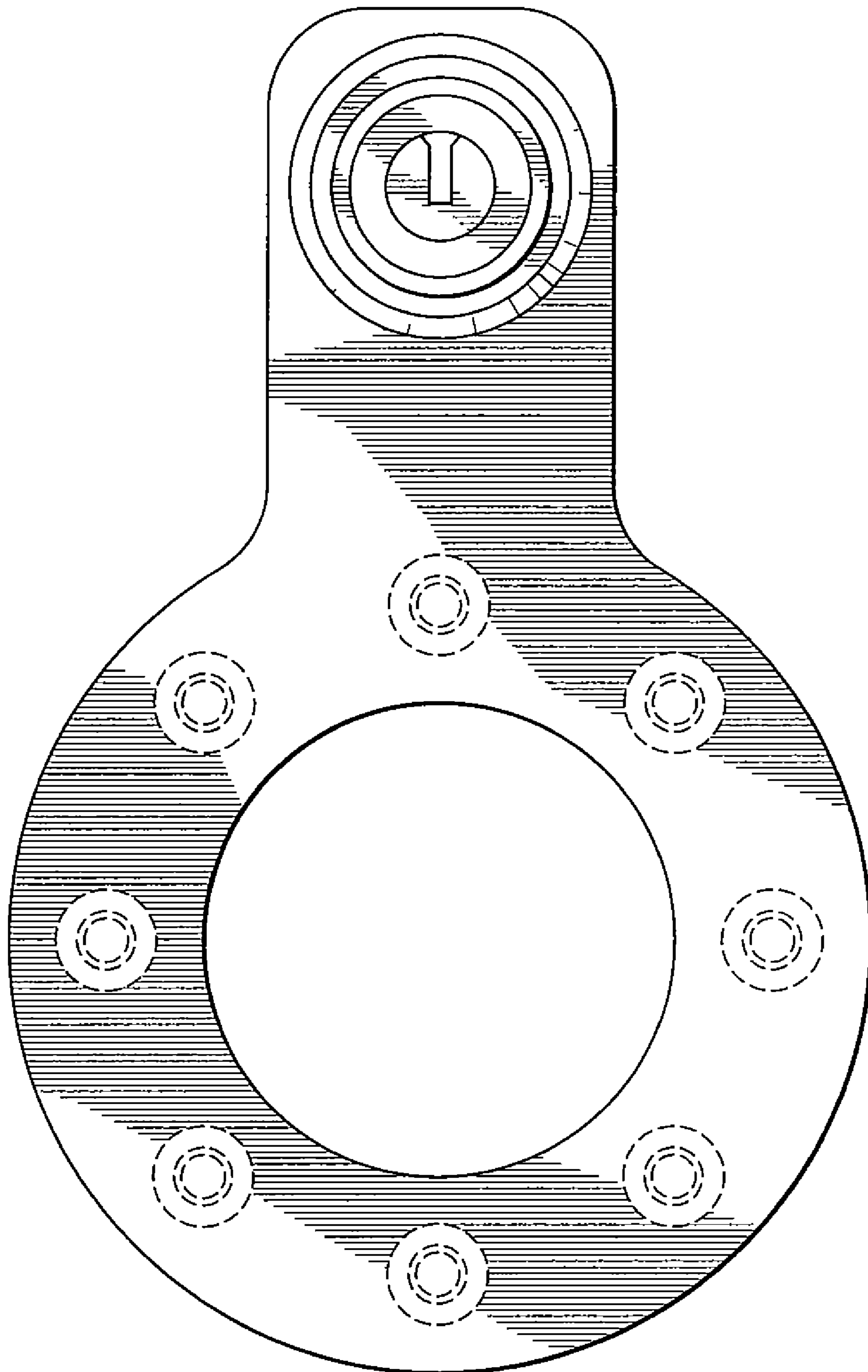


FIG. 2

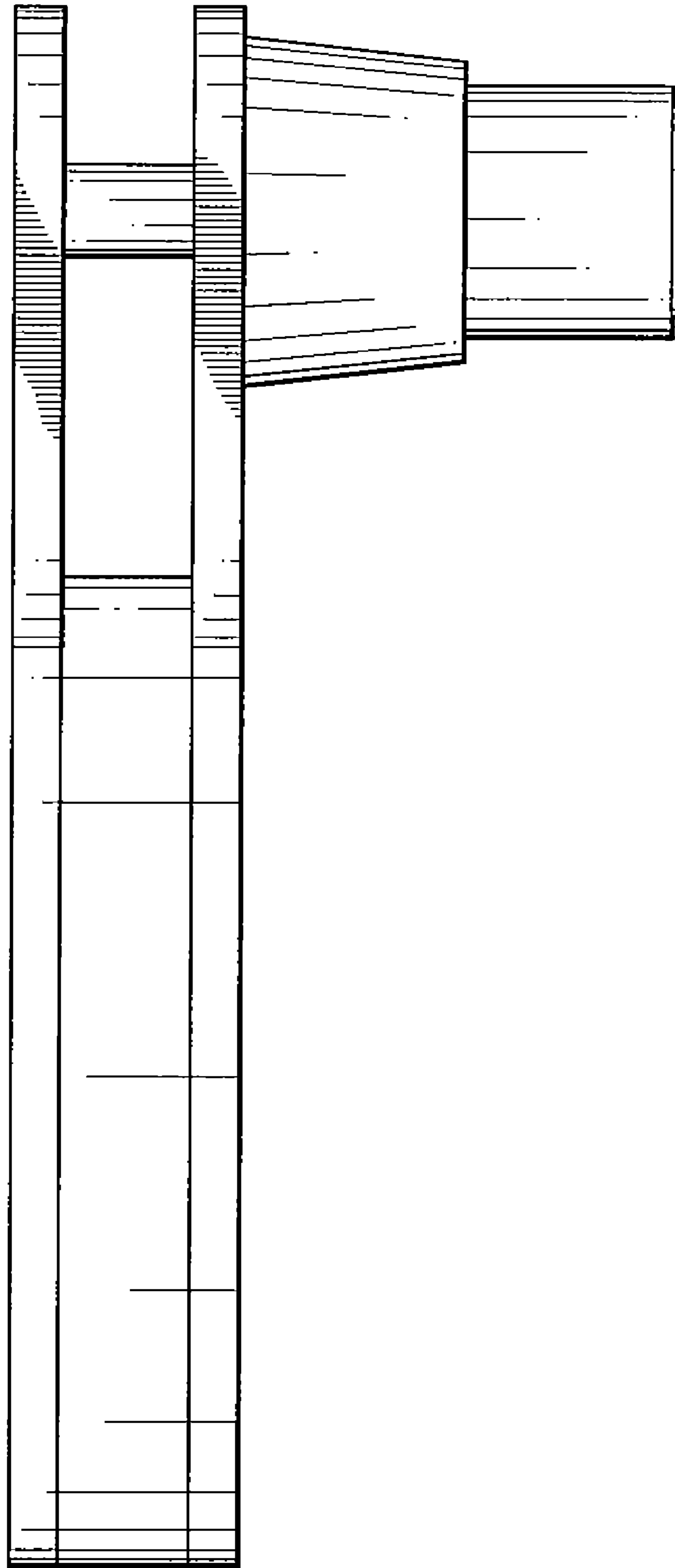


FIG. 3

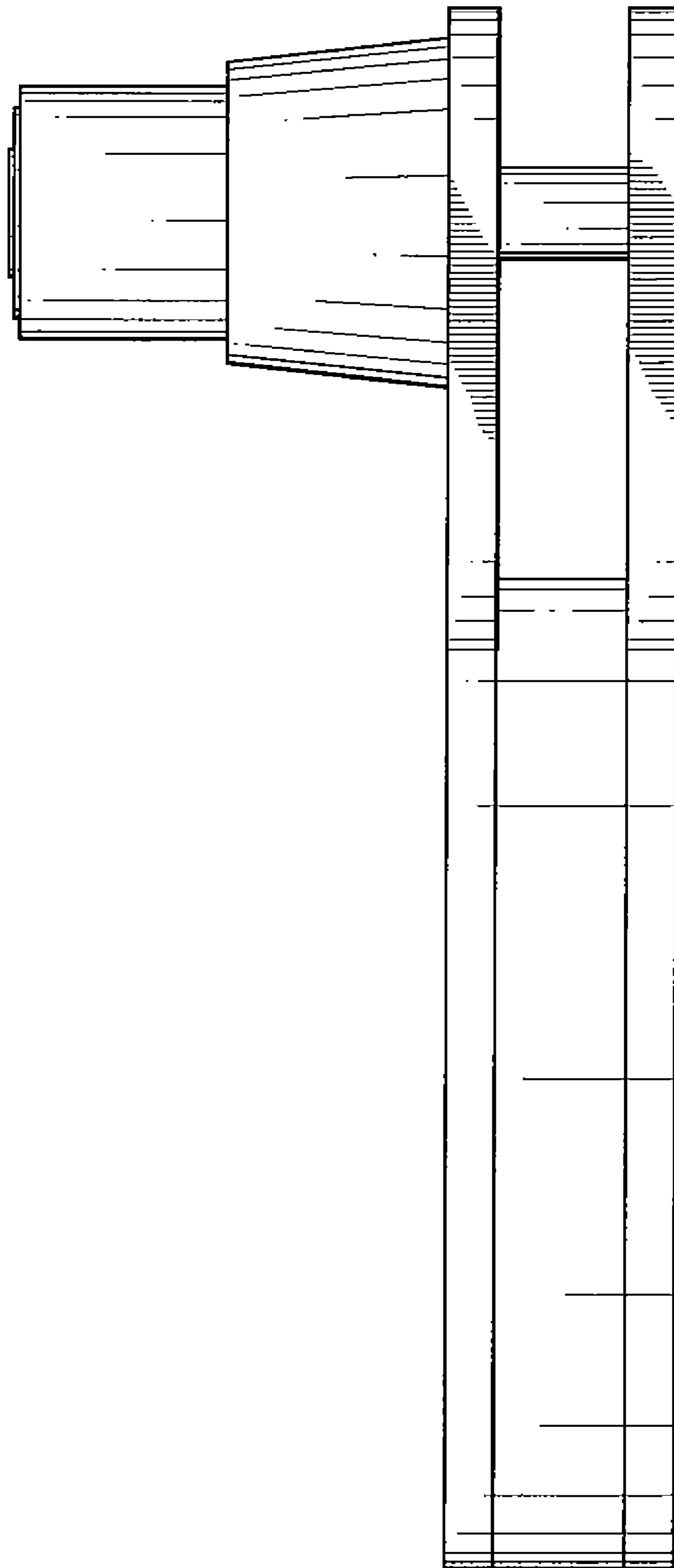


FIG. 4

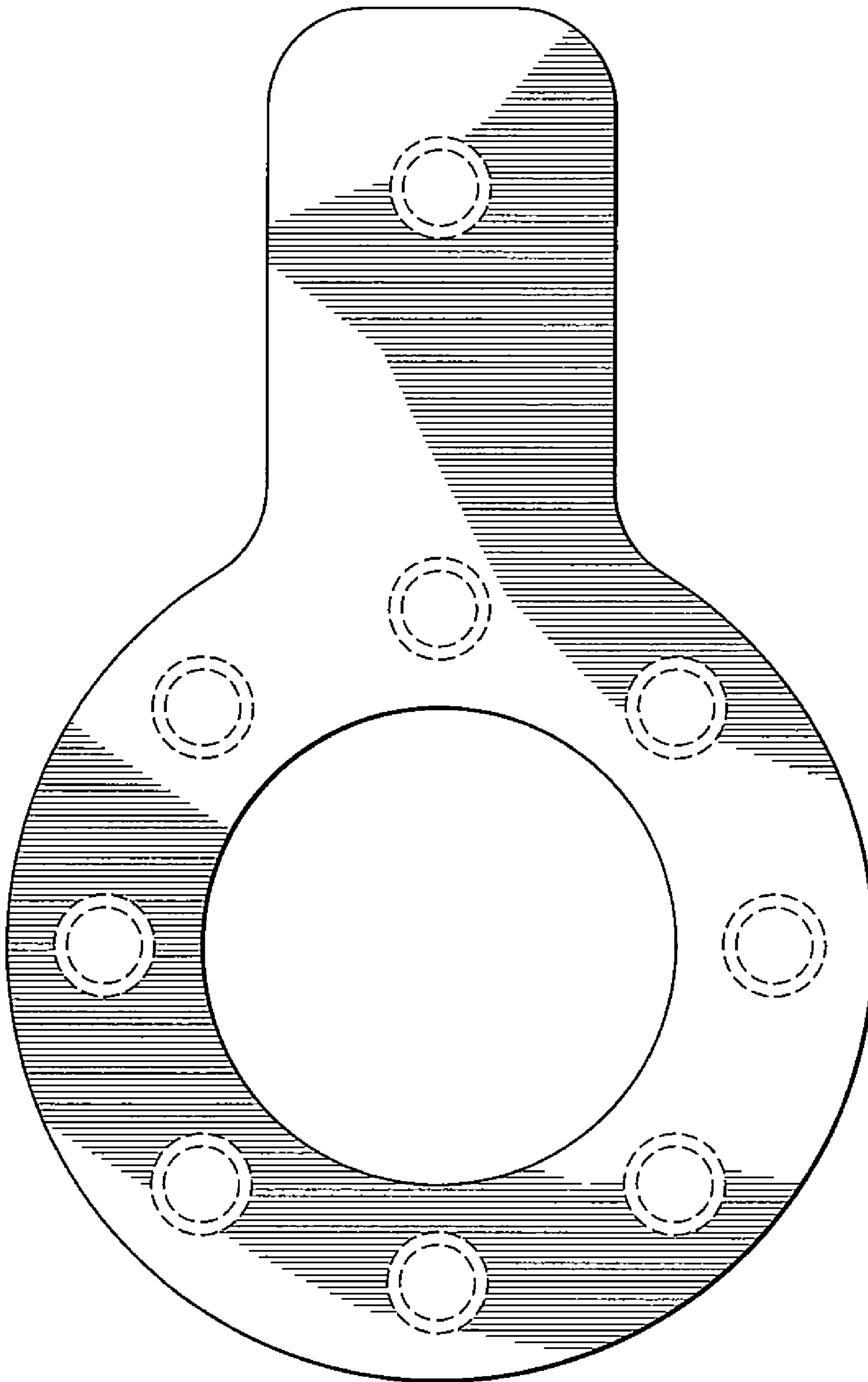


FIG.5

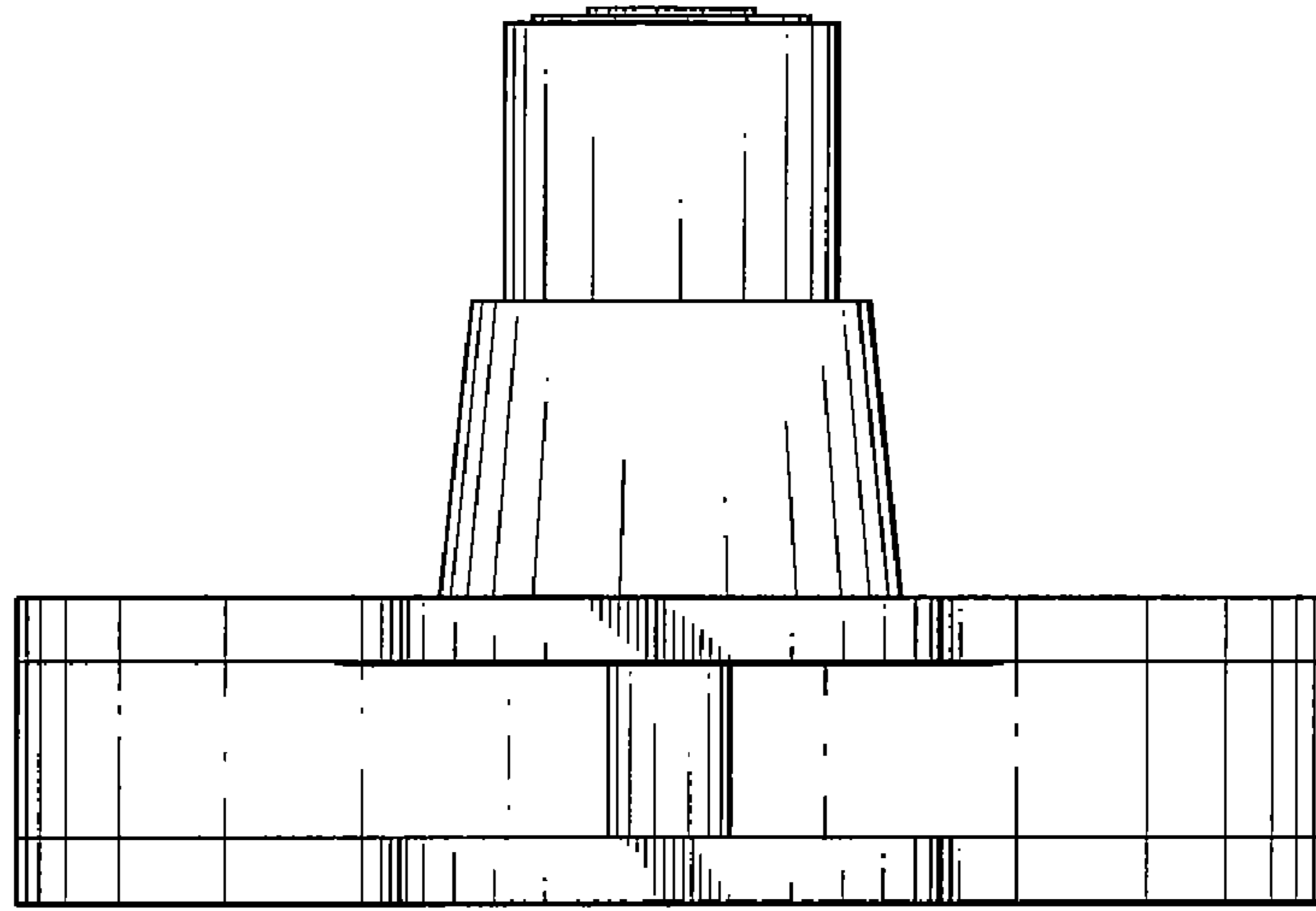


FIG. 6

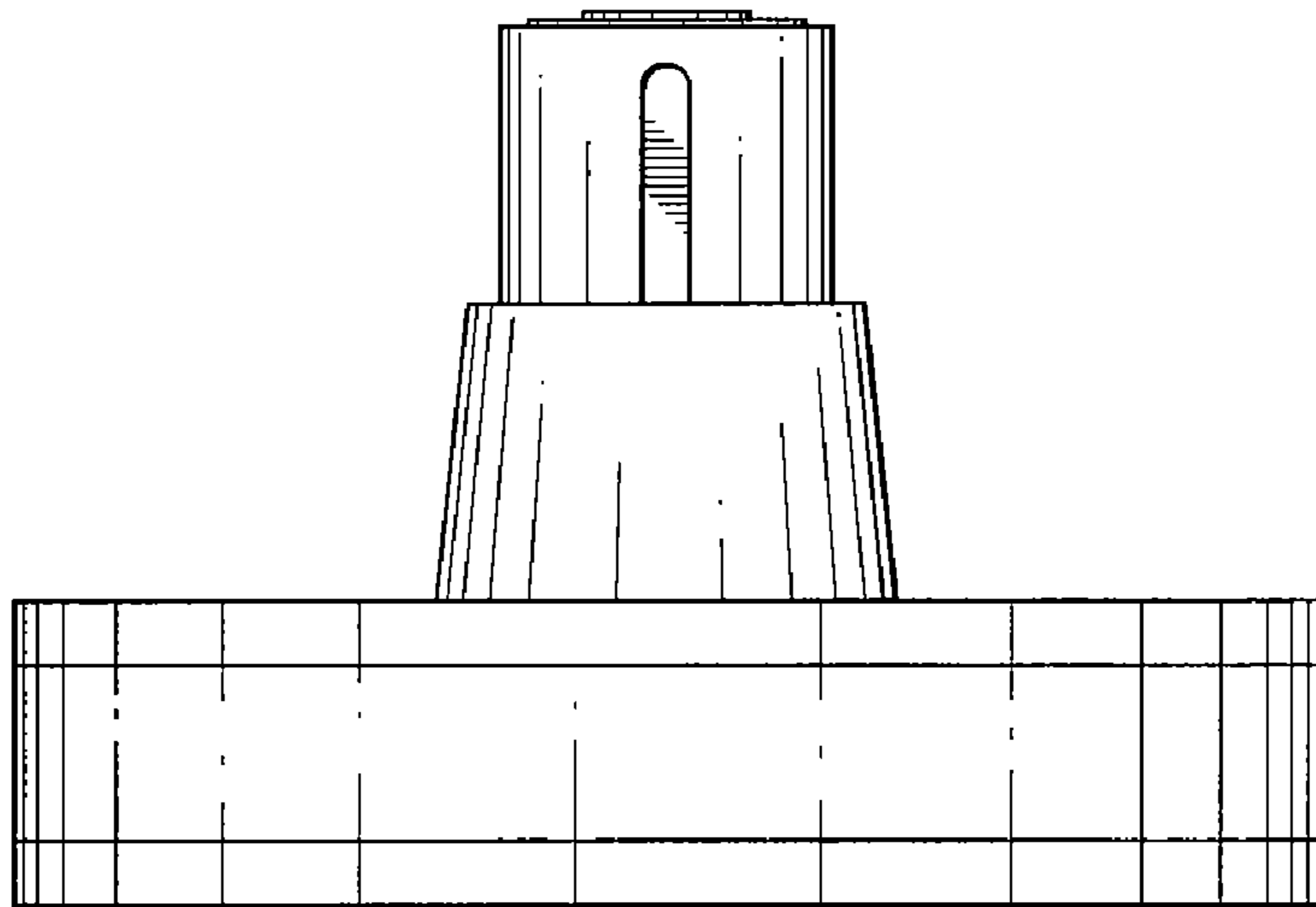


FIG. 7