



US00D561661S

(12) **United States Design Patent** (10) **Patent No.:** **US D561,661 S**
Platto et al. (45) **Date of Patent:** **** Feb. 12, 2008**

(54) **VEHICLE FRONT BUMPER COVER**

(75) Inventors: **Gordon Platto**, Troy, MI (US); **Aram Kasparian**, Canton, MI (US); **Xitij Mistry**, Ann Arbor, MI (US)

(73) Assignee: **Ford Global Technologies, LLC**, Dearborn, MI (US)

(**) Term: **14 Years**

(21) Appl. No.: **29/250,348**

(22) Filed: **Nov. 10, 2006**

(51) **LOC (8) Cl.** **12-16**

(52) **U.S. Cl.** **D12/169**

(58) **Field of Classification Search** D12/90-92,
D12/86, 169, 196, 163; 296/193.1, 181.1;
293/102, 113, 115, 117, 120

See application file for complete search history.

(56) **References Cited**

U.S. PATENT DOCUMENTS

D516,972 S * 3/2006 Baum D12/169
D539,710 S * 4/2007 Kouyama D12/169
D546,251 S * 7/2007 Hamano D12/169

OTHER PUBLICATIONS

Lincoln, Concept MKS, Detroit 2006.
Lincoln, Concept MK9 Coupe, New York 2001.
Lincoln, Concept Continental, Detroit 2002.
Lincoln, Lincoln LS V8, Detroit 2004.
Lincoln, Concept Zephyr, New York 2004.
Lincoln, Lincoln MKZ Awd, Chicago 2006.
Lincoln, Concept MKS, Detroit Jan. 2006.
Lincoln, Concept Navicross, Detroit 2003.

* cited by examiner

Primary Examiner—Melody N. Brown
(74) *Attorney, Agent, or Firm*—Damian Porcari

(57) **CLAIM**

The ornamental design for a vehicle front bumper cover, as shown and described.

DESCRIPTION

FIG. 1 is an elevational view of the vehicle front bumper cover (as viewed from the FRONT of the vehicle;

FIG. 2 is an enlarged right side elevational view thereof;

FIG. 3 is an enlarged left side elevational view thereof;

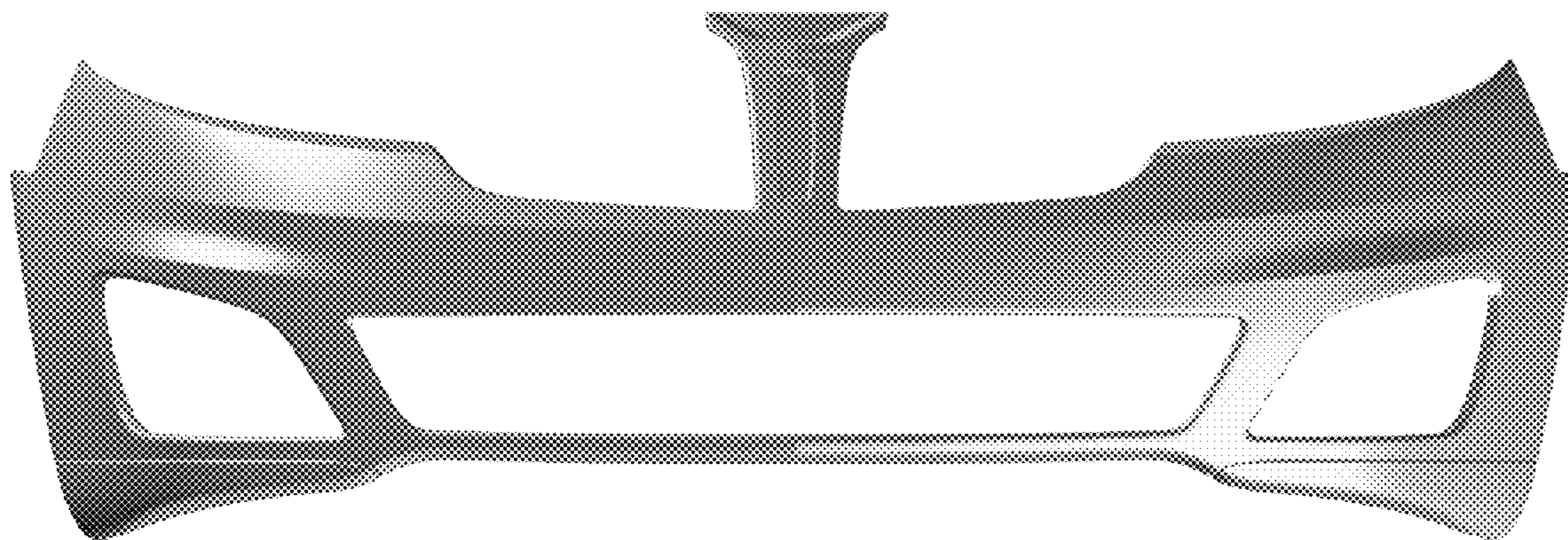
FIG. 4 is a top plan view thereof;

FIG. 5 is a bottom plan view thereof; and,

FIG. 6 is a rear elevational view thereof.

The vehicle front bumper cover is styled independently of adjacent vehicle panels. To the extent that any feature lines are illustrated, they are intended to illustrate the crest and valley of the feature and are not necessarily sharp bends in the part. Shading is used to illustrate the curvature of the part and not color. Areas shown in or sounded by broken lines are not claimed. The surface normally visible when the vehicle front bumper cover is attached to a vehicle is called the “Class A” surface is claimed. The surface not normally visible when the vehicle front bumper cover is attached to a vehicle is called the “Class B” surface and is not claimed. Any functional features of the vehicle front bumper cover are not claimed. Views are orthogonal projections unless otherwise noted. The views are not necessarily to scale to better illustrate details. The drawings were generated using Computer Aided Design tools. Highlights and shading were added to the drawings to better illustrate the three dimensional features of the part.

1 Claim, 6 Drawing Sheets



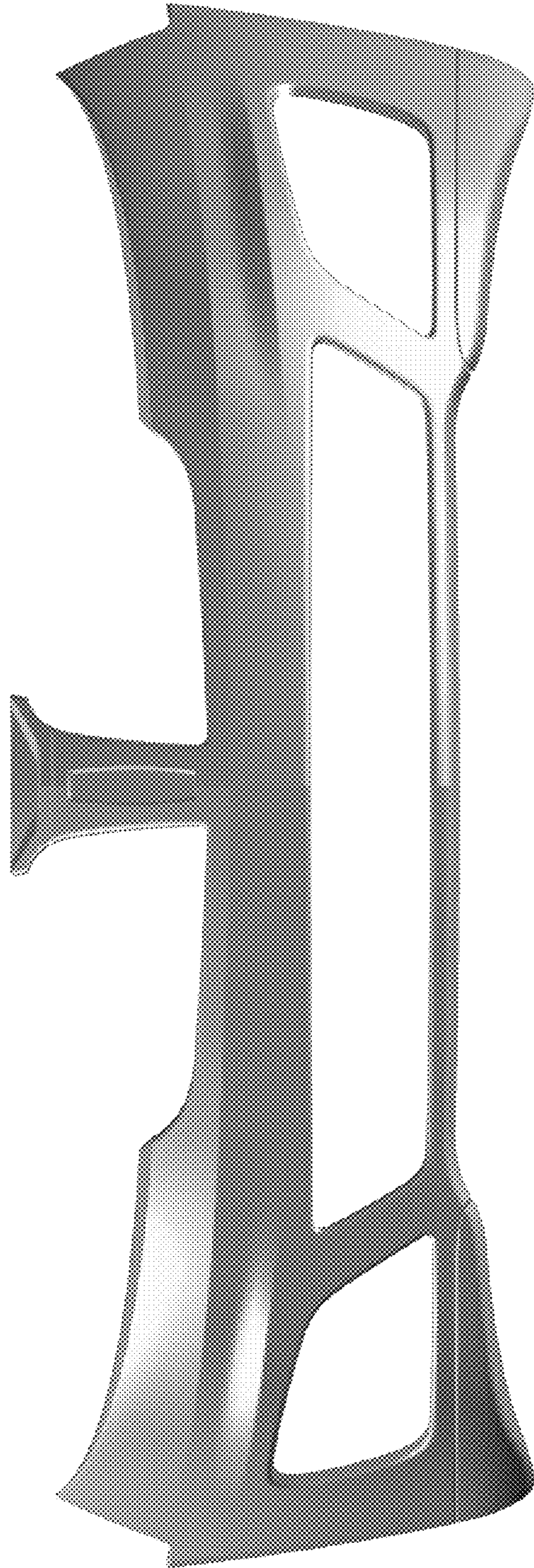


Figure 1

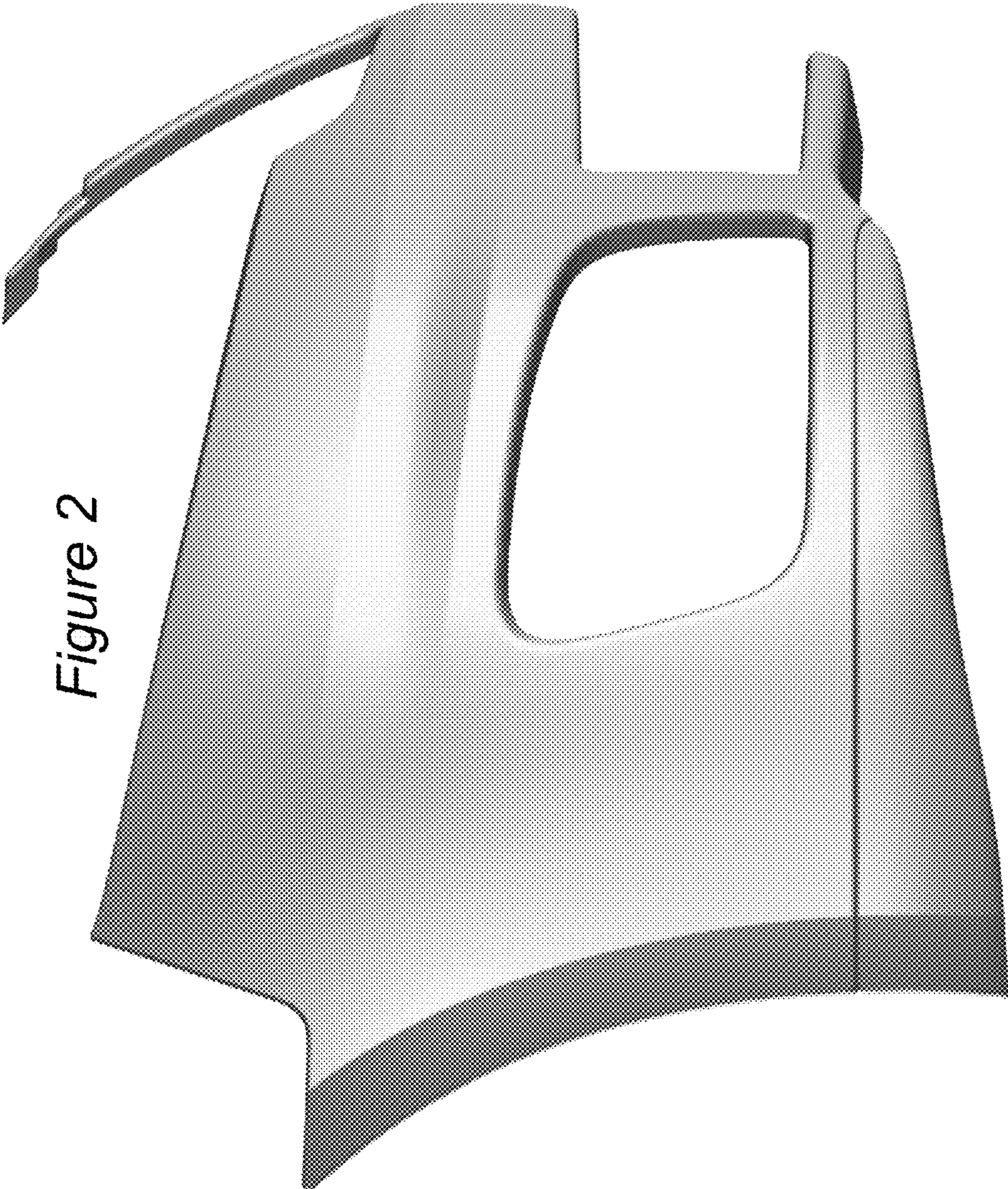


Figure 2

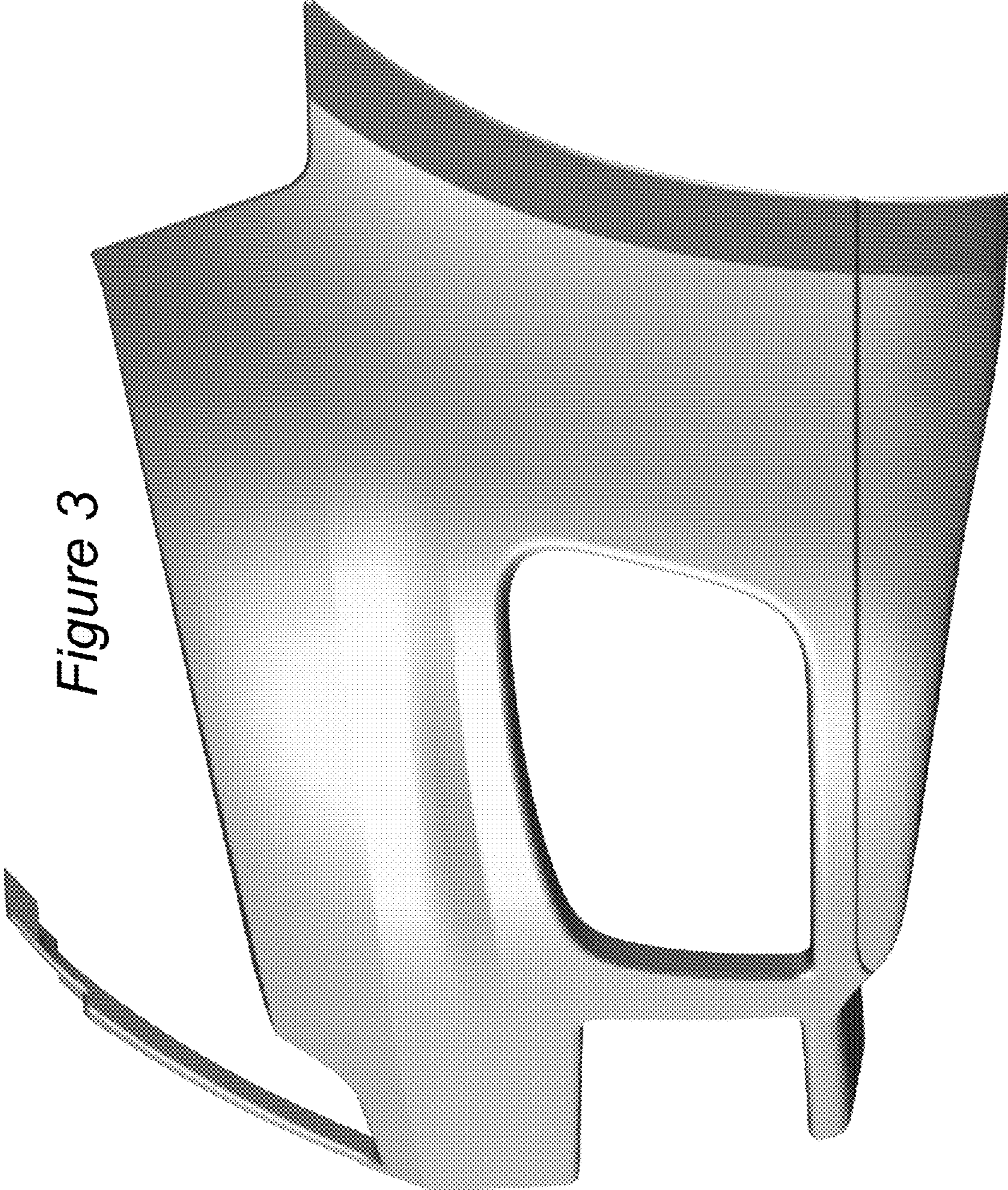


Figure 3

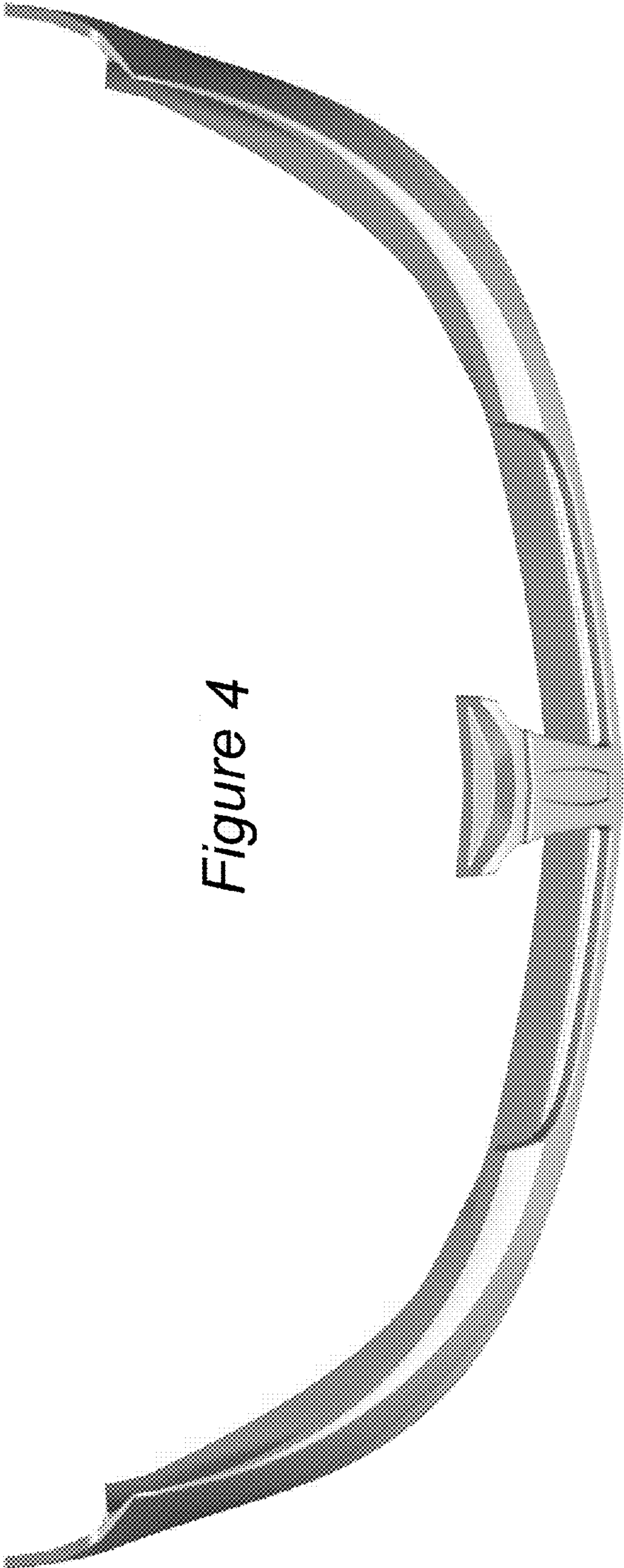


Figure 4

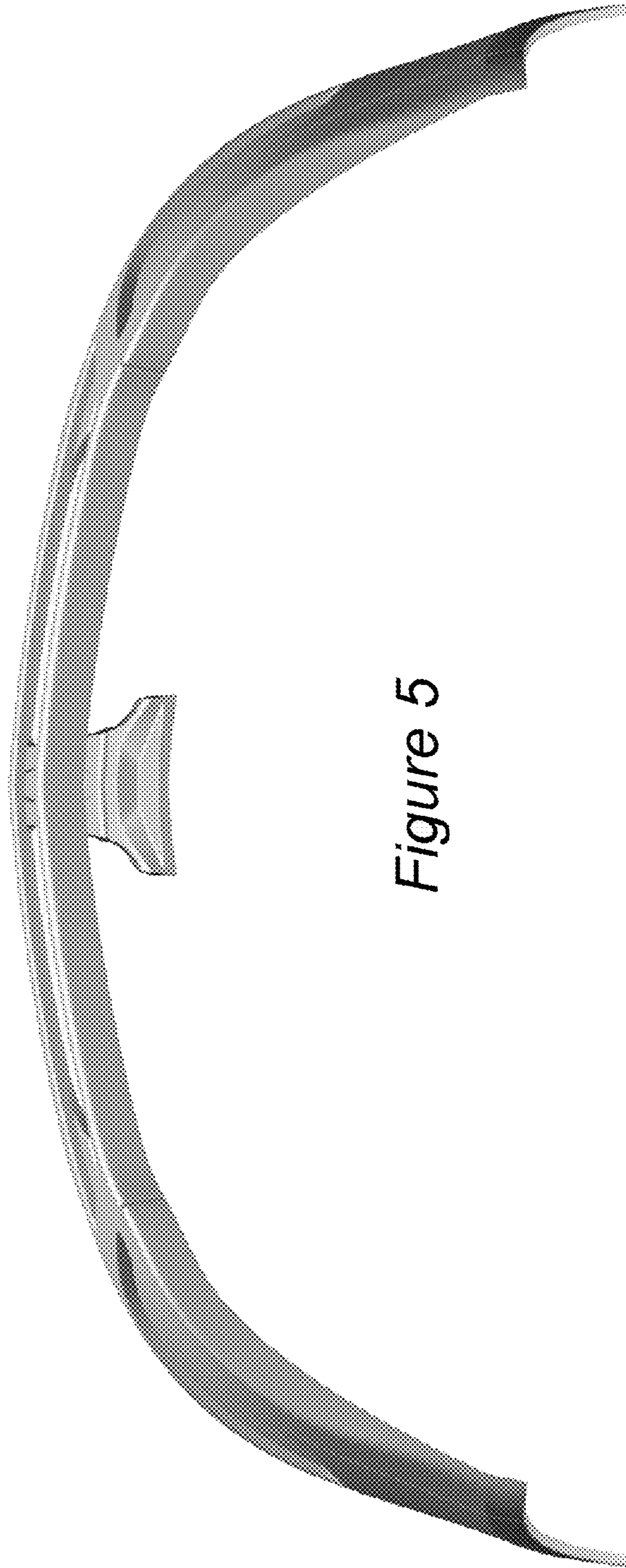


Figure 5

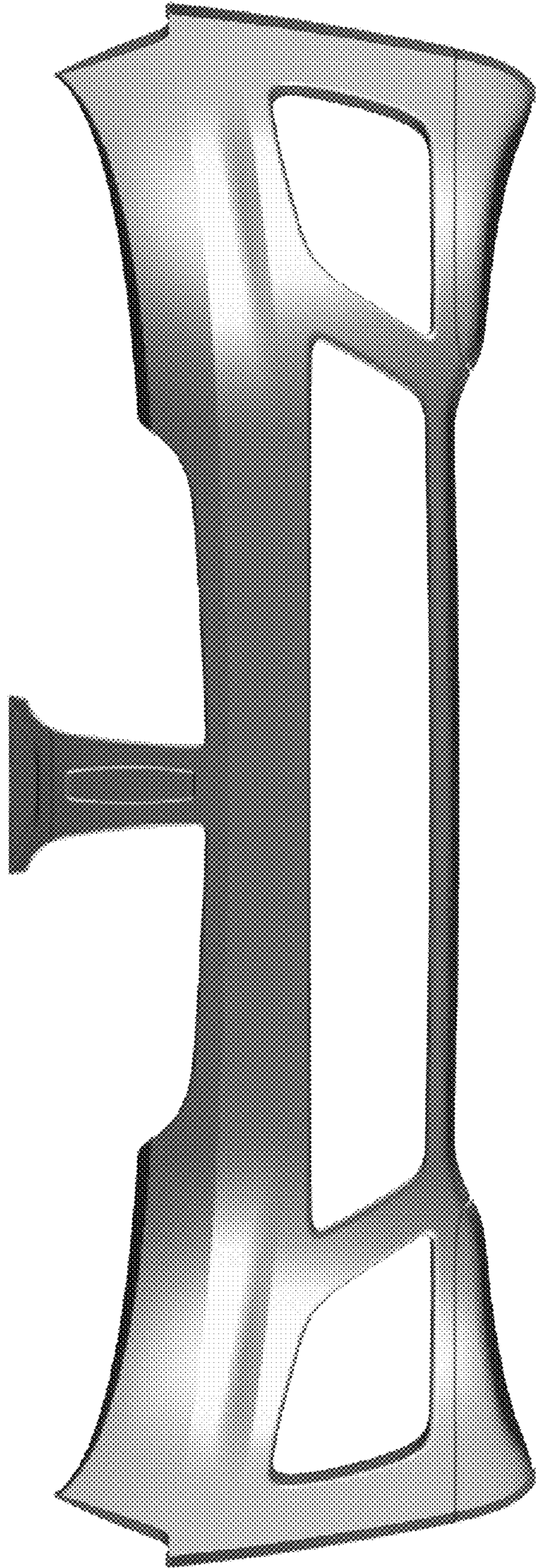


Figure 6