

US00D561658S

(12) **United States Design Patent**
Thomas et al.

(10) **Patent No.:** **US D561,658 S**

(45) **Date of Patent:** **** Feb. 12, 2008**

(54) **VEHICLE GRILLE**

D529,419 S 10/2006 Richards et al.
D539,708 S * 4/2007 Richards et al. D12/163
D540,720 S * 4/2007 Golden et al. D12/163

(75) Inventors: **Freeman Thomas**, Laguna Beach, CA (US); **David Woodhouse**, Newport Coast, CA (US); **Andreas Nilsson**, Canton, MI (US); **Jeremy Leng**, Newport Beach, CA (US)

* cited by examiner

Primary Examiner—Melody N. Brown
(74) *Attorney, Agent, or Firm*—Frank A. MacKenzie; Brooks Kushman P.C.

(73) Assignee: **Ford Global Technologies, LLC**, Dearborn, MI (US)

(**) Term: **14 Years**

(57) **CLAIM**

(21) Appl. No.: **29/275,758**

The ornamental design for a vehicle grille, as shown and described.

(22) Filed: **Jan. 5, 2007**

DESCRIPTION

(51) **LOC (8) Cl.** **12-16**

(52) **U.S. Cl.** **D12/163**

(58) **Field of Classification Search** D12/163, D12/171, 90-92, 216, 169, 196; 180/68.1, 180/68.6; 296/193.11; 293/102, 113, 115
See application file for complete search history.

FIG. 1 is a front perspective view of a vehicle grille in accordance with the present invention; and, FIG. 2 is a front/left side perspective view of the vehicle grille of FIG. 1, wherein a front/right side perspective view is a mirror image thereof.

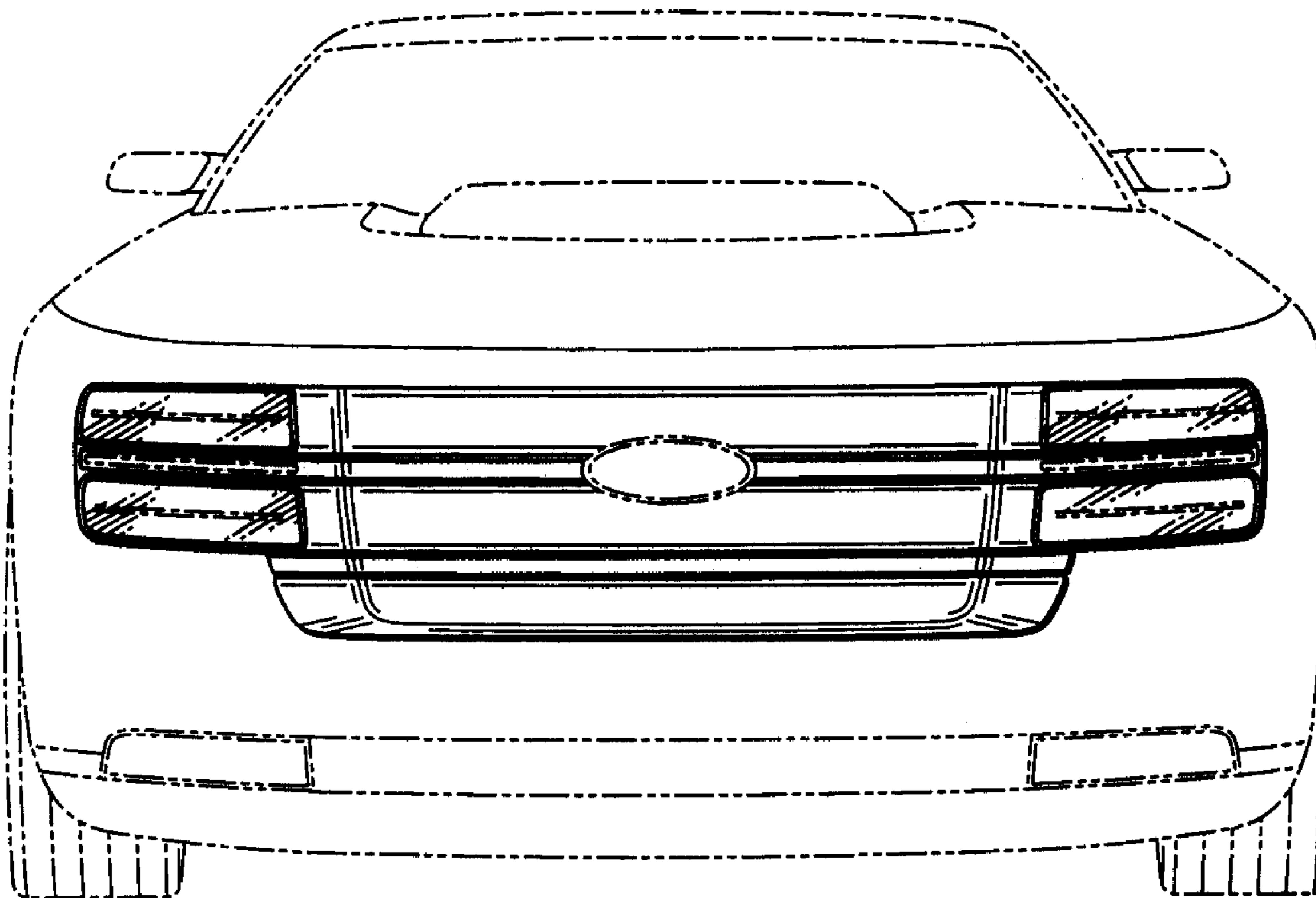
The broken lines are for illustrative purposes only and form no part of the claimed design.

(56) **References Cited**

U.S. PATENT DOCUMENTS

D520,927 S * 5/2006 Fisker et al. D12/196

1 Claim, 1 Drawing Sheet



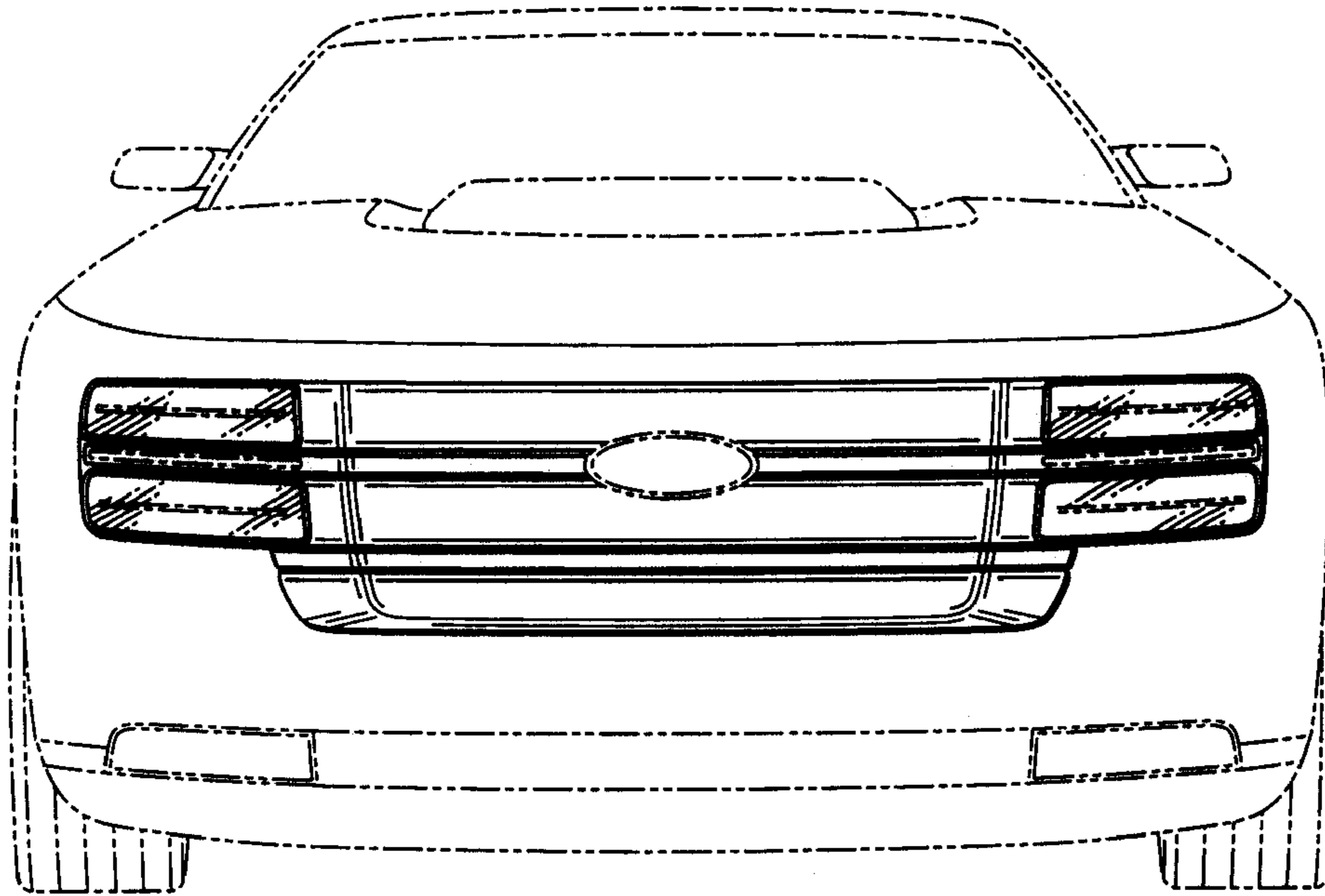


Fig. 1

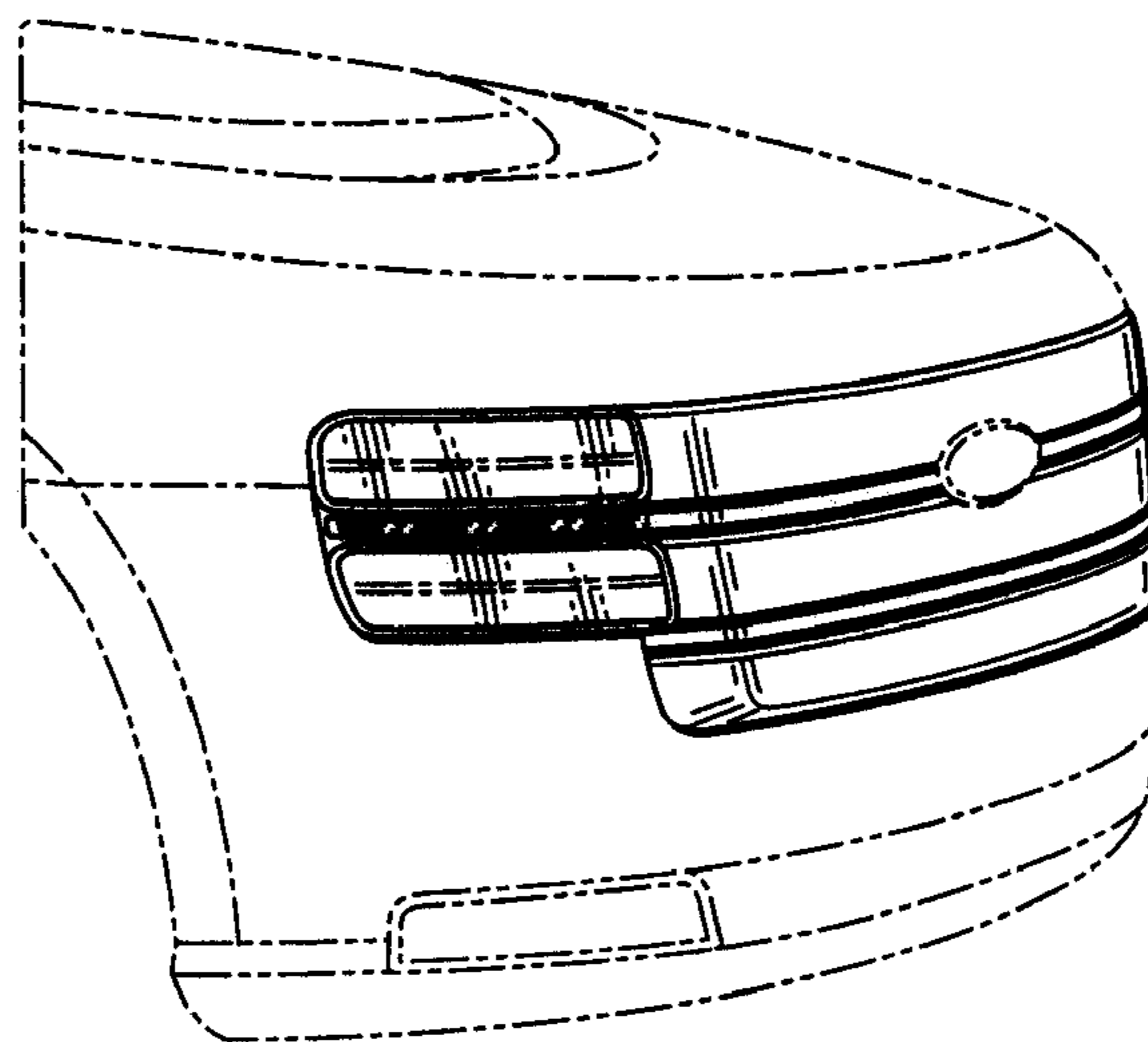


Fig. 2