



US00D561655S

(12) **United States Design Patent** (10) **Patent No.:** **US D561,655 S**
Ellis et al. (45) **Date of Patent:** **** Feb. 12, 2008**

(54) **VEHICLE GRILLE**

(75) Inventors: **Michael G Ellis**, Canton, MI (US);
Mark B Nowery, Southfield, MI (US);
Patrick J Schiavone, Bloomfield, MI (US);
David R. Gillespie, Clawson, MI (US)

(73) Assignee: **Ford Global Technologies, LLC**,
Dearborn, MI (US)

(**) Term: **14 Years**

(21) Appl. No.: **29/250,647**

(22) Filed: **Nov. 27, 2006**

(51) **LOC (8) Cl.** **12-16**

(52) **U.S. Cl.** **D12/163**

(58) **Field of Classification Search** D12/163,
D12/171, 90-92, 216, 169, 196; 180/68.1,
180/68.6; 296/193.11; 293/102, 113, 115
See application file for complete search history.

(56) **References Cited**

U.S. PATENT DOCUMENTS

D532,724 S	*	11/2006	Schiavone et al.	D12/163
D533,485 S	*	12/2006	Schiavone et al.	D12/163
D533,815 S	*	12/2006	Matei	D12/163
D535,589 S	*	1/2007	Lau et al.	D12/163
D535,591 S	*	1/2007	Schiavone	D12/163

OTHER PUBLICATIONS

Ford E150 Chateau Wagon, Chicago 2001 (8 pages).
Ford Transit 2.0 TDCI 125CH, Brussels 2003 (4 pages).

* cited by examiner

Primary Examiner—Melody N. Brown
(74) *Attorney, Agent, or Firm*—Damian Porcari

(57) **CLAIM**

The ornamental design for a vehicle grille, as shown and described.

DESCRIPTION

FIG. 1 is a front elevational view of a vehicle grille showing our new design;

FIG. 2 is an enlarged right side elevational view thereof;

FIG. 3 is an enlarged left side elevational view thereof;

FIG. 4 is a top plan view thereof;

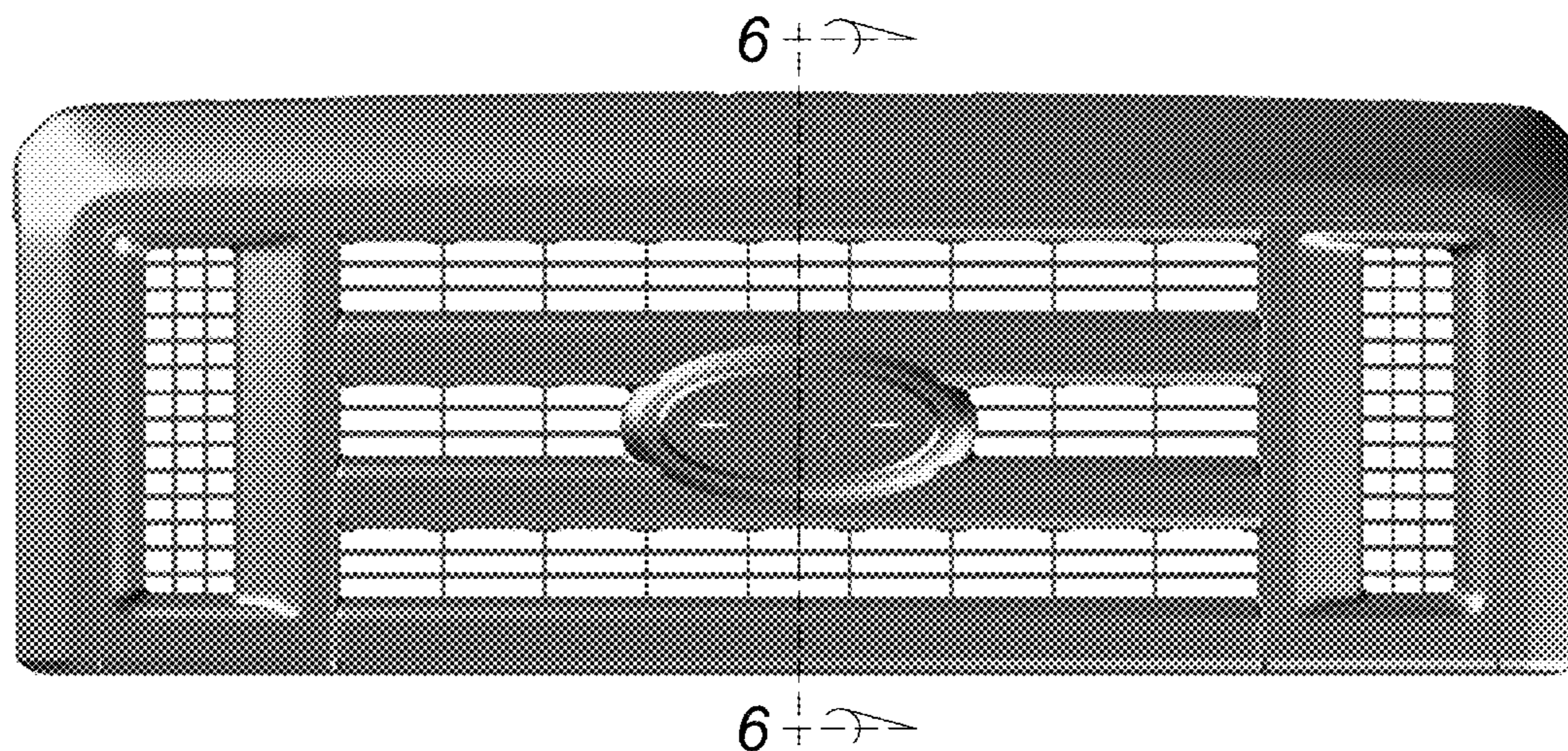
FIG. 5 is a bottom plan view thereof;

FIG. 6 is a cross sectional view taken along the line 6—6 in FIG. 1; and,

FIG. 7 is a rear elevational view thereof.

The vehicle grille is styled independently of adjacent vehicle panels. To the extent that any feature lines are illustrated, they are intended to illustrate the crest and valley of the feature and are not necessarily sharp bends in the part. Shading is used to illustrate the curvature of the part and not color. Areas shown in or sounded by broken lines are not claimed. The surface normally visible when the vehicle grille is attached to a vehicle is called the “Class A” surface is claimed. The surface not normally visible when the vehicle grille is attached to a vehicle is called the “Class B” surface and is not claimed. Any functional features of the vehicle grille are not claimed. Views are orthogonal projections unless otherwise noted. The various views are not necessarily to scale in order to better illustrate the design.

1 Claim, 6 Drawing Sheets



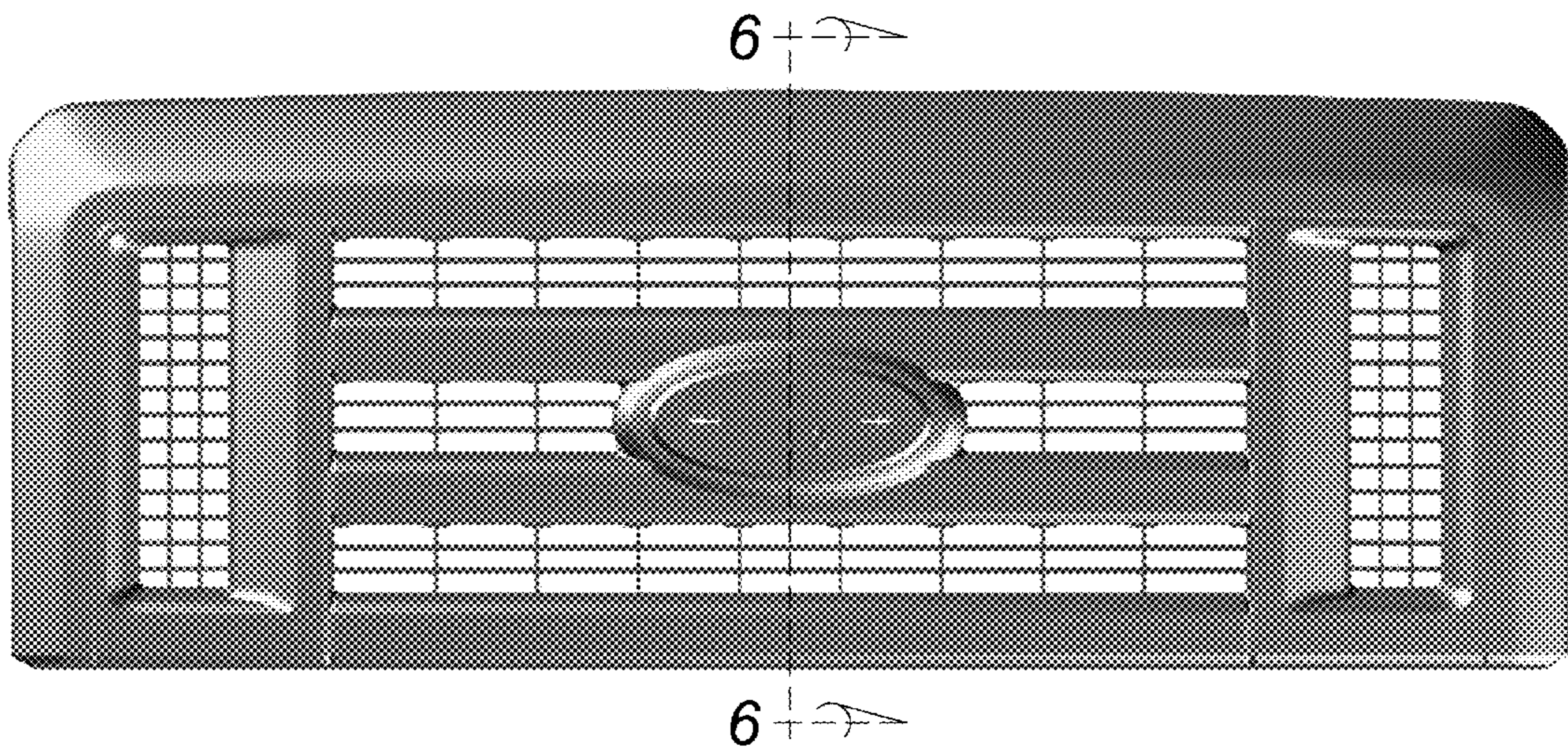


Figure 1

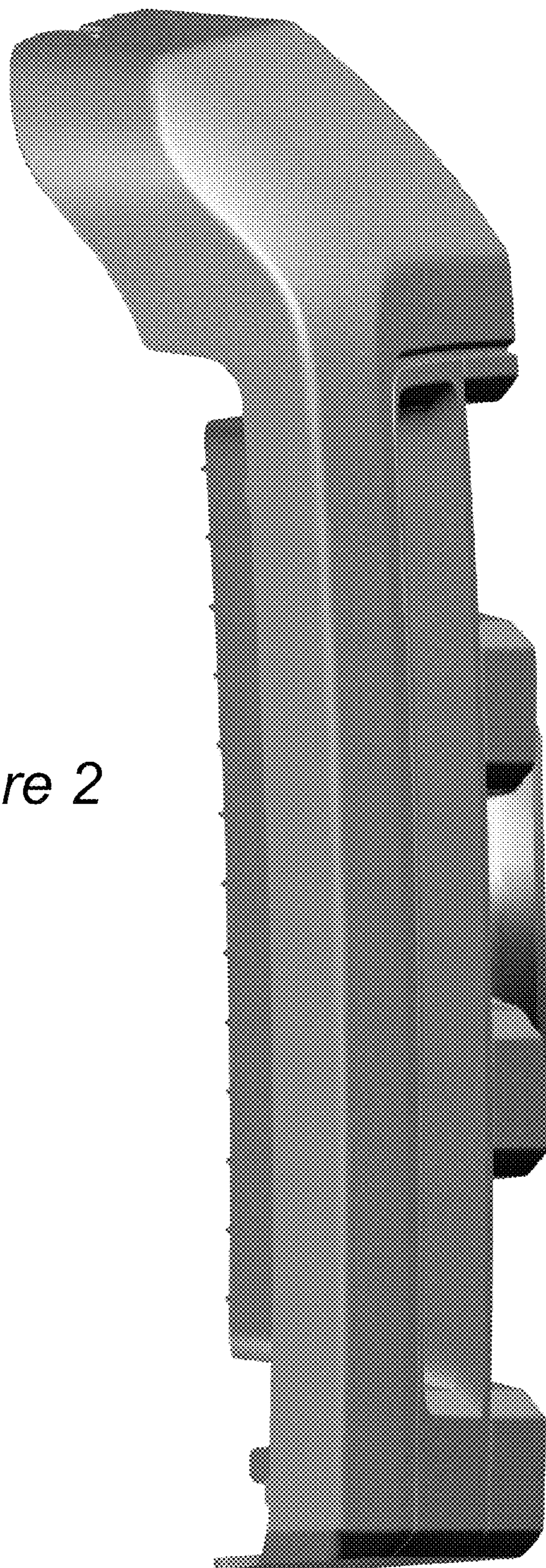


Figure 2

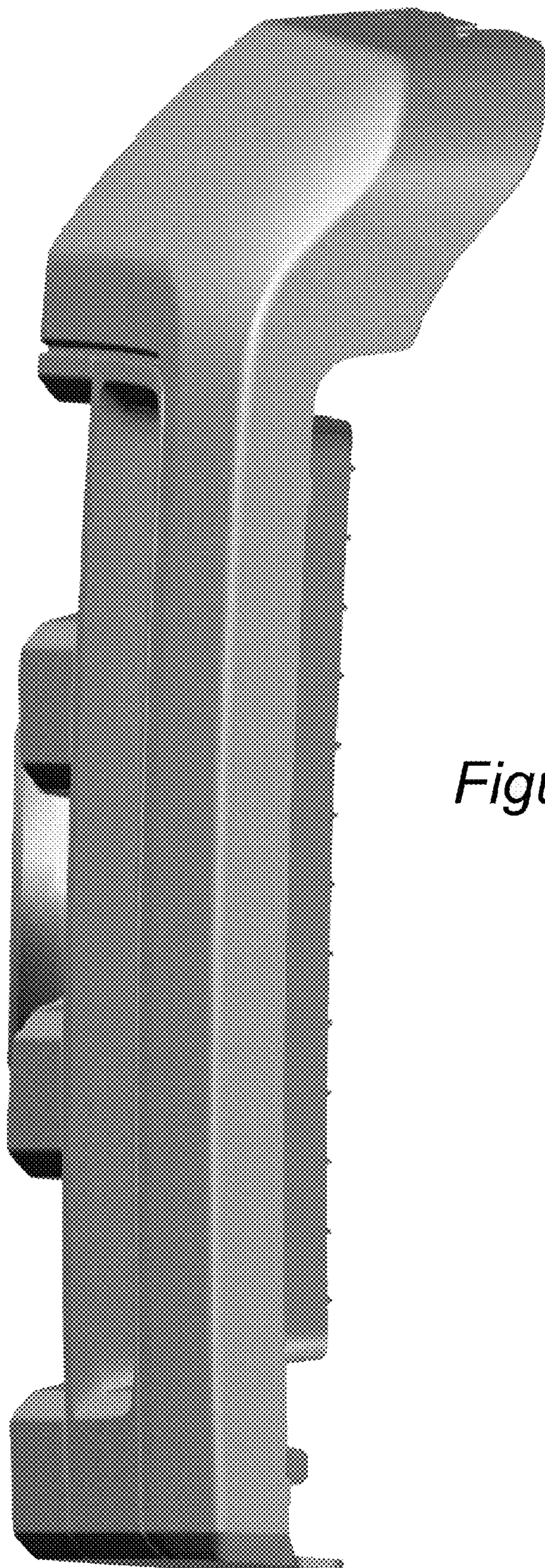


Figure 3

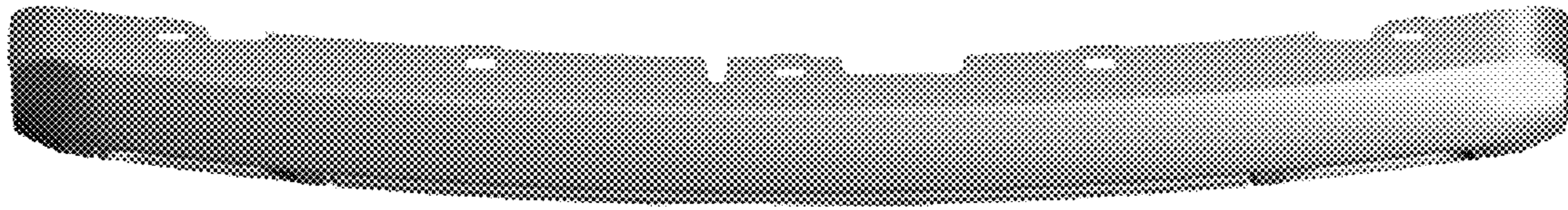


Figure 4

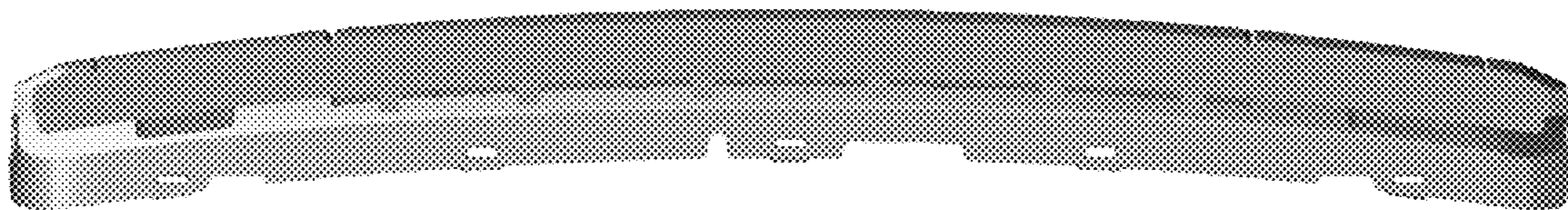


Figure 5

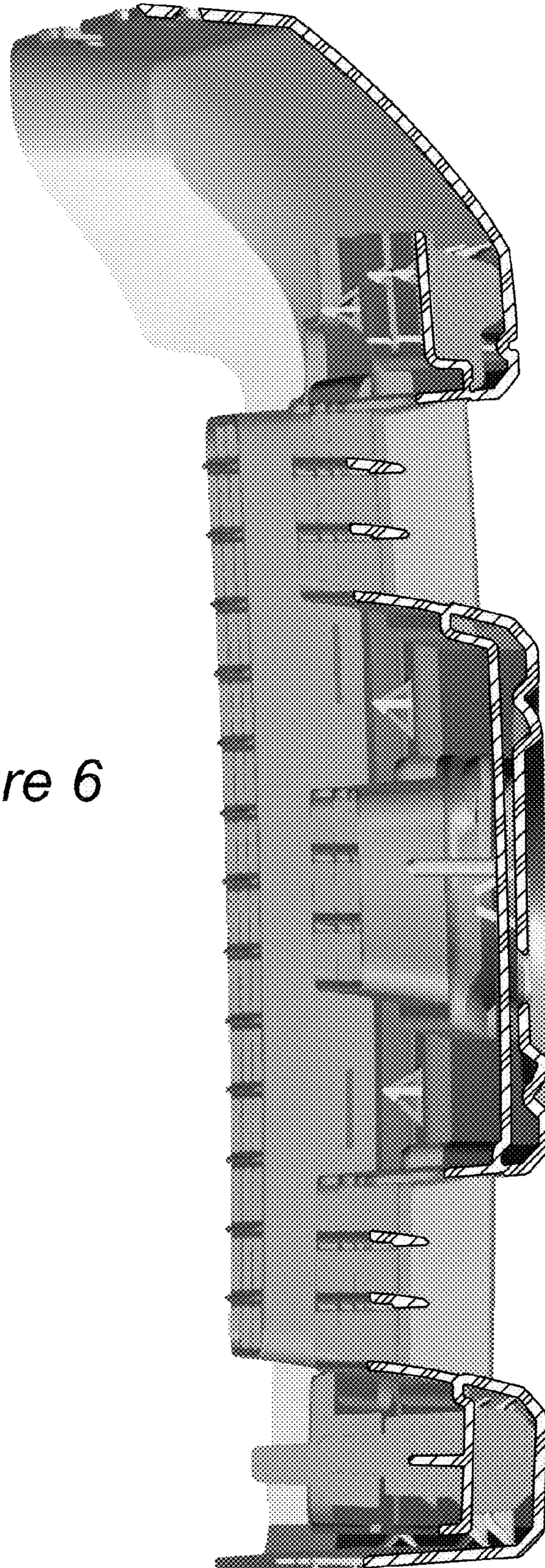


Figure 6

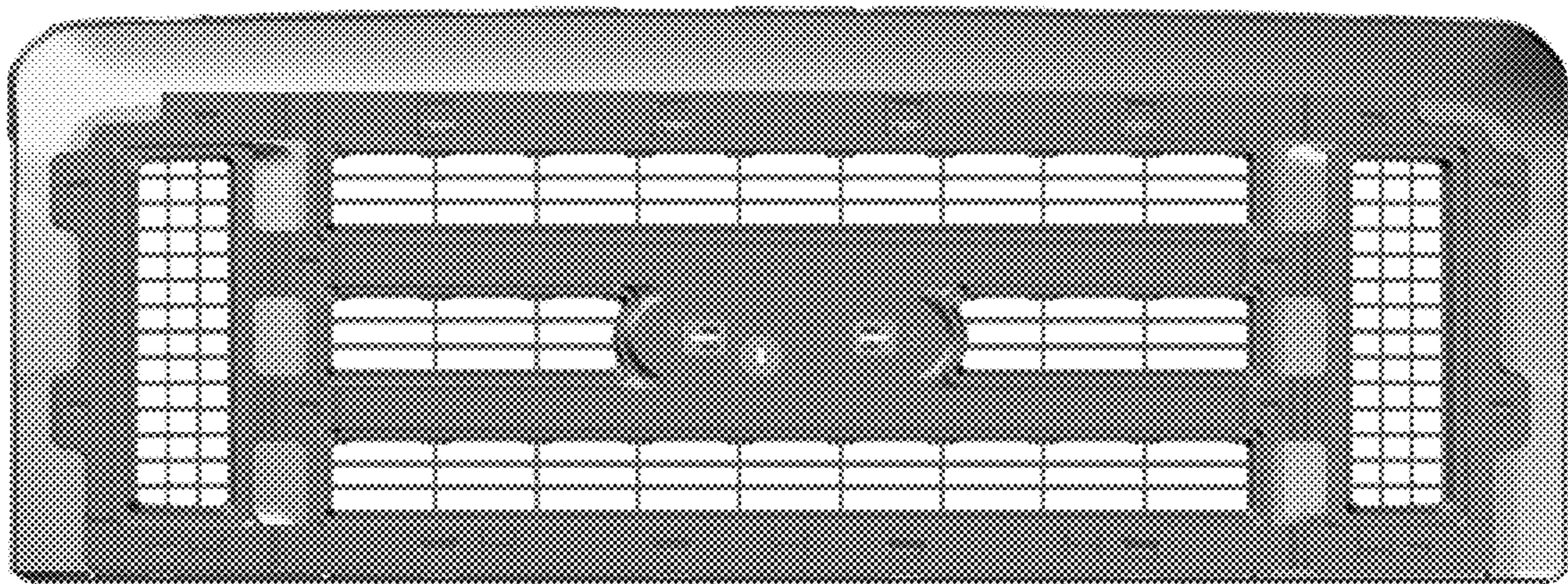


Figure 7