



US00D561648S

(12) **United States Design Patent**
Shelton

(10) **Patent No.:** **US D561,648 S**

(45) **Date of Patent:** **** Feb. 12, 2008**

(54) **TRAILER BODY**

7,052,033 B2 * 5/2006 McDonell 280/656
7,055,848 B1 * 6/2006 James 280/656

(76) Inventor: **Gary L. Shelton**, 337 Sweet Briar La.,
Hopkins, MN (US) 55343

* cited by examiner

(**) Term: **14 Years**

Primary Examiner—Holly H. Baynham

Assistant Examiner—Sheryl Friedman

(21) Appl. No.: **29/221,906**

(74) *Attorney, Agent, or Firm*—Benjamin Hoffmann

(22) Filed: **Jan. 22, 2005**

(57) **CLAIM**

(51) **LOC (8) Cl.** **12-10**

I claim the ornamental design for a trailer body, as shown and described.

(52) **U.S. Cl.** **D12/101**

(58) **Field of Classification Search** D12/101,
D12/223, 221, 15; 280/475, 656, 763.1,
280/482; 296/181, 190

DESCRIPTION

See application file for complete search history.

FIG. 1 is a front and side perspective view of a trailer body showing my new design;

(56) **References Cited**

U.S. PATENT DOCUMENTS

FIG. 2 is a side view thereof;

FIG. 3 is a front view thereof;

268,101	A *	11/1882	Pope	160/16
292,785	A *	2/1884	Bogart	337/81
3,524,659	A *	8/1970	Filter	296/10
3,751,073	A *	8/1973	Alexander et al.	280/482
D249,138	S *	8/1978	Butler	D12/105
4,215,898	A *	8/1980	Ulics	296/183.1
4,372,568	A *	2/1983	Campbell	280/63
D271,094	S	10/1983	Fisher	
4,480,851	A *	11/1984	St-Pierre	280/656
4,765,642	A *	8/1988	Struzina	280/656
D325,549	S	4/1992	Jarvis	
6,199,909	B1 *	3/2001	Kass et al.	280/789
D464,916	S	10/2002	Golenz et al.	
D471,845	S *	3/2003	Mighell	D12/101
6,726,237	B1 *	4/2004	Carrico	280/490.1
6,773,025	B1 *	8/2004	Zelm	280/656
D501,430	S *	2/2005	Cox et al.	D12/102
6,962,370	B2 *	11/2005	Simpson	280/789
D515,464	S *	2/2006	DeShong	D12/101

FIG. 4 is a rear view thereof;

FIG. 5 is a top view thereof;

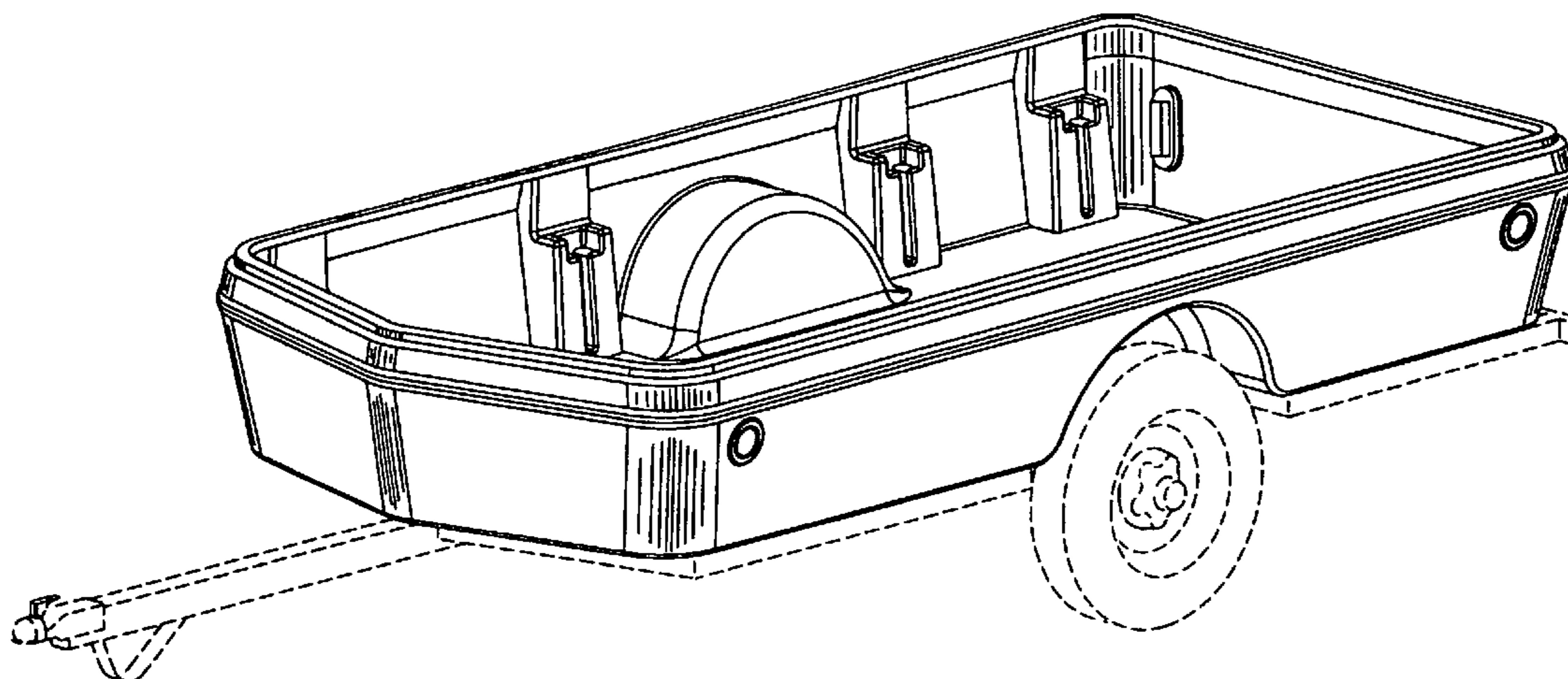
FIG. 6 is a bottom view thereof;

FIG. 7 is a detailed perspective view of a typical feature on the inside of the trailer body. This feature is also visible in FIGS. 1 and 5; and,

FIG. 8 is a rear and side perspective view of a second embodiment of the trailer body showing an alternative design of the top, with a top cover. The other views were duplicative of the views showing the first embodiment.

The side view of the trailer body opposite from that of FIG. 2 is a mirror image of that shown in FIG. 2. The broken lines shown in the figures are for illustrative purposes only and for no part of the claimed design.

1 Claim, 7 Drawing Sheets



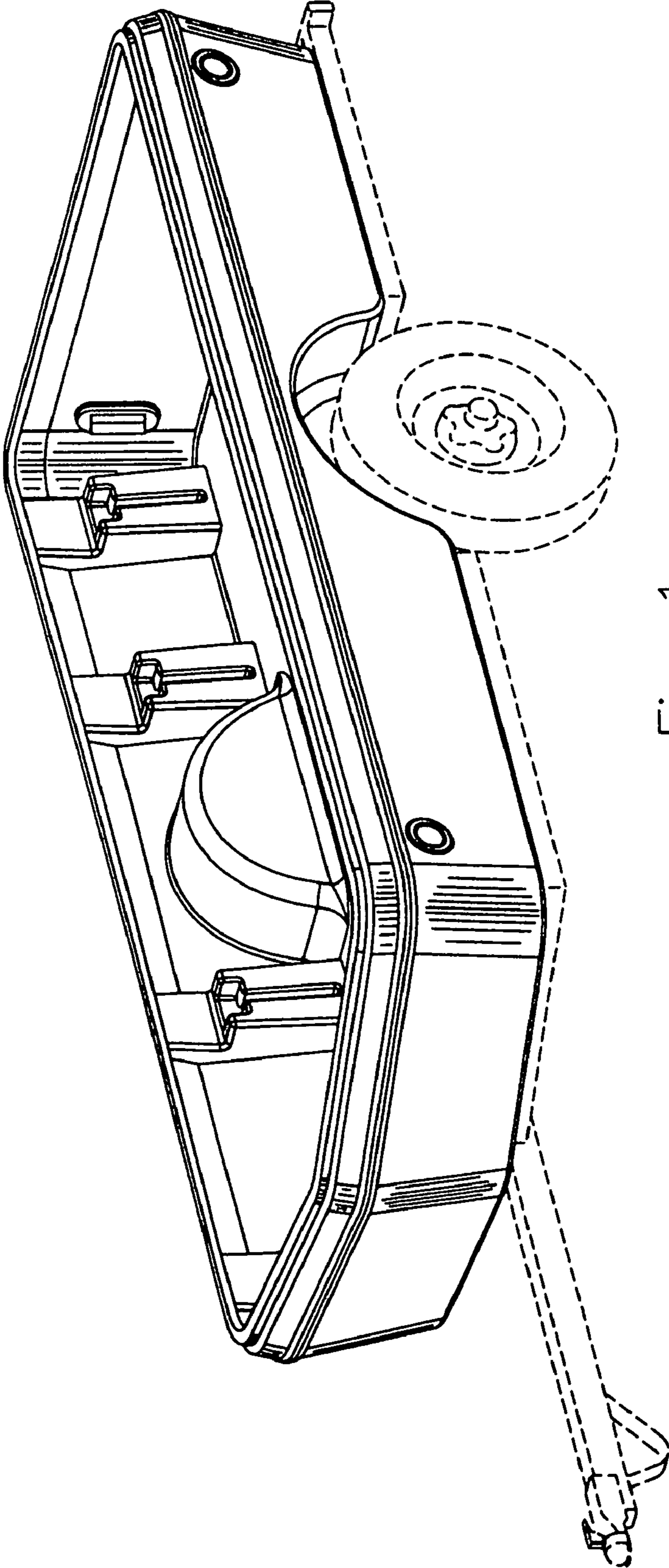


Fig. 1

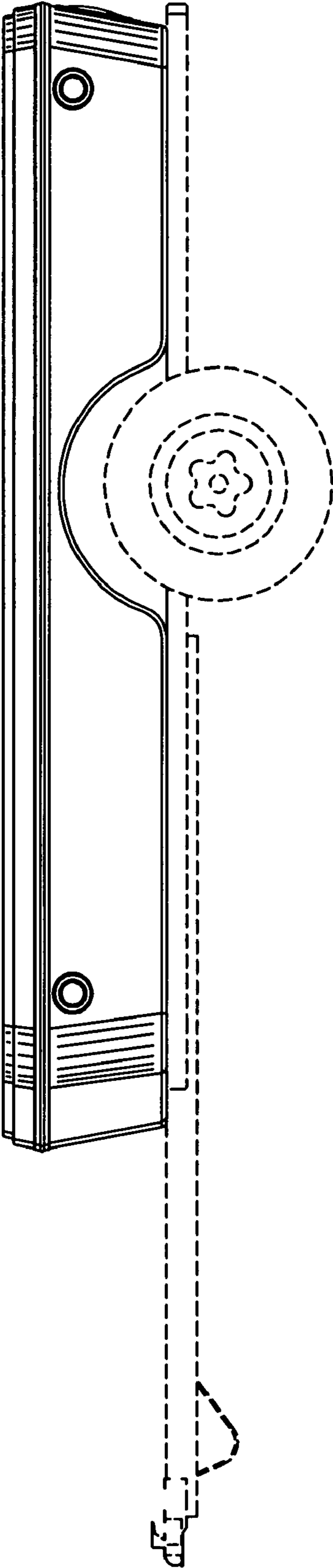


Fig. 2

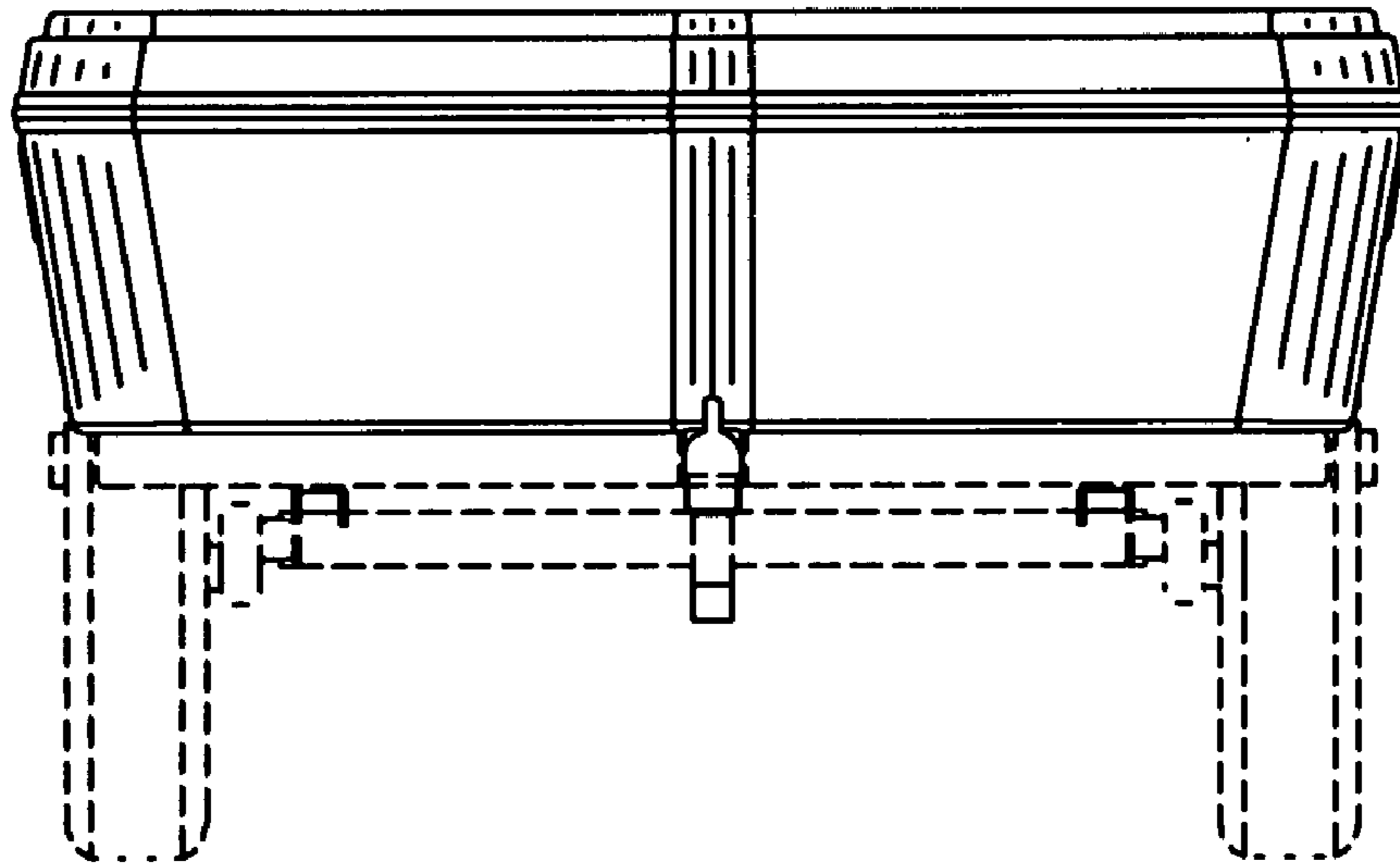


Fig. 3

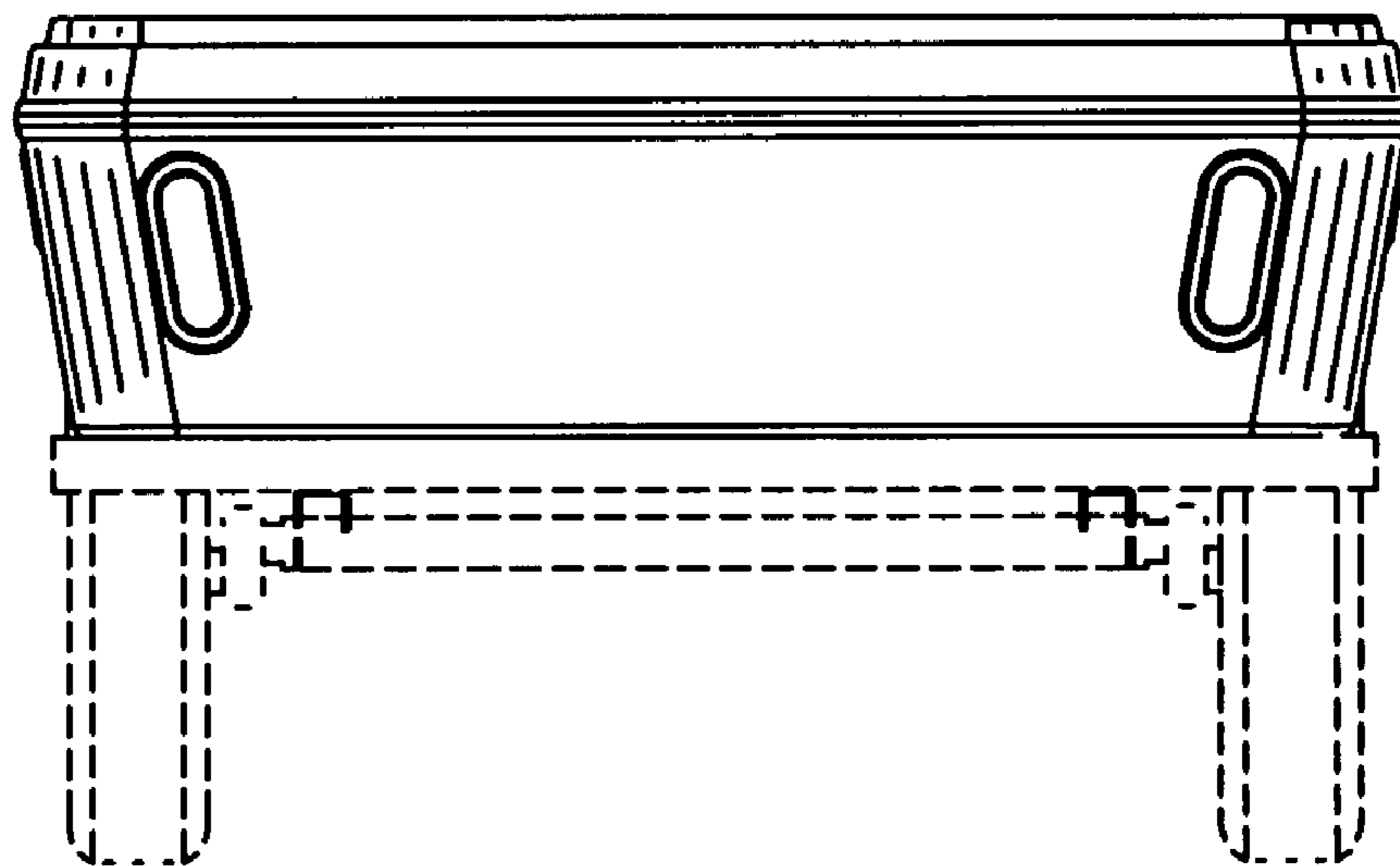


Fig. 4

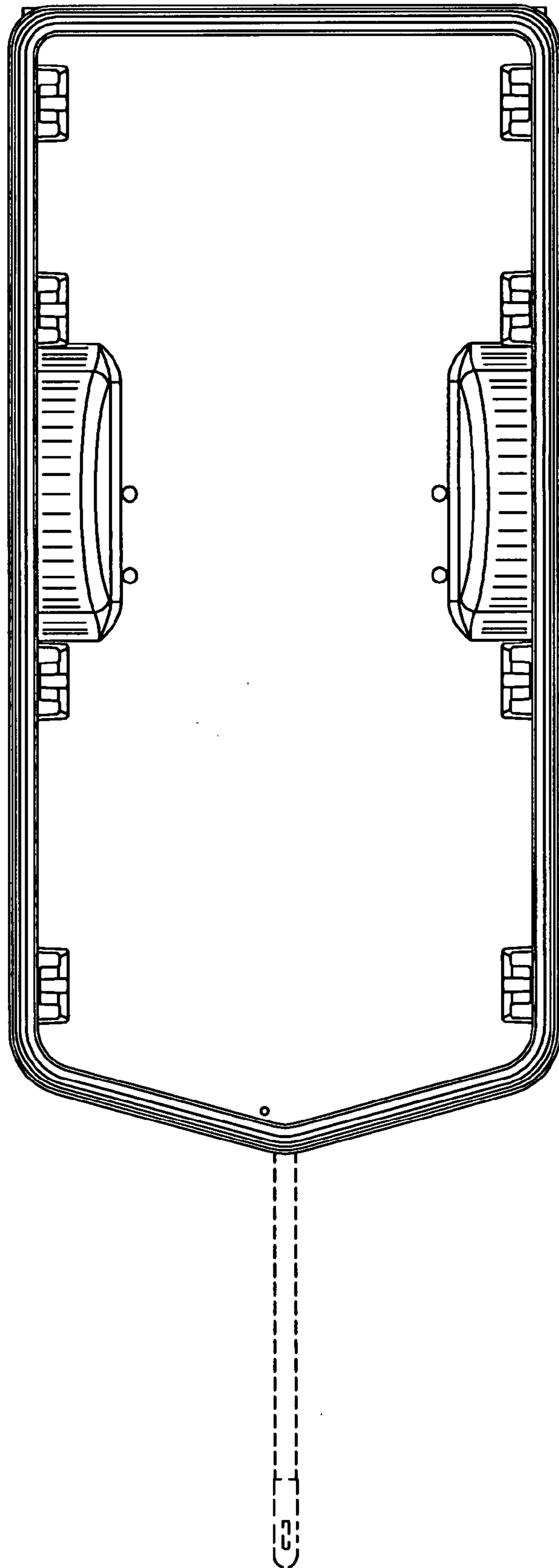


Fig. 5

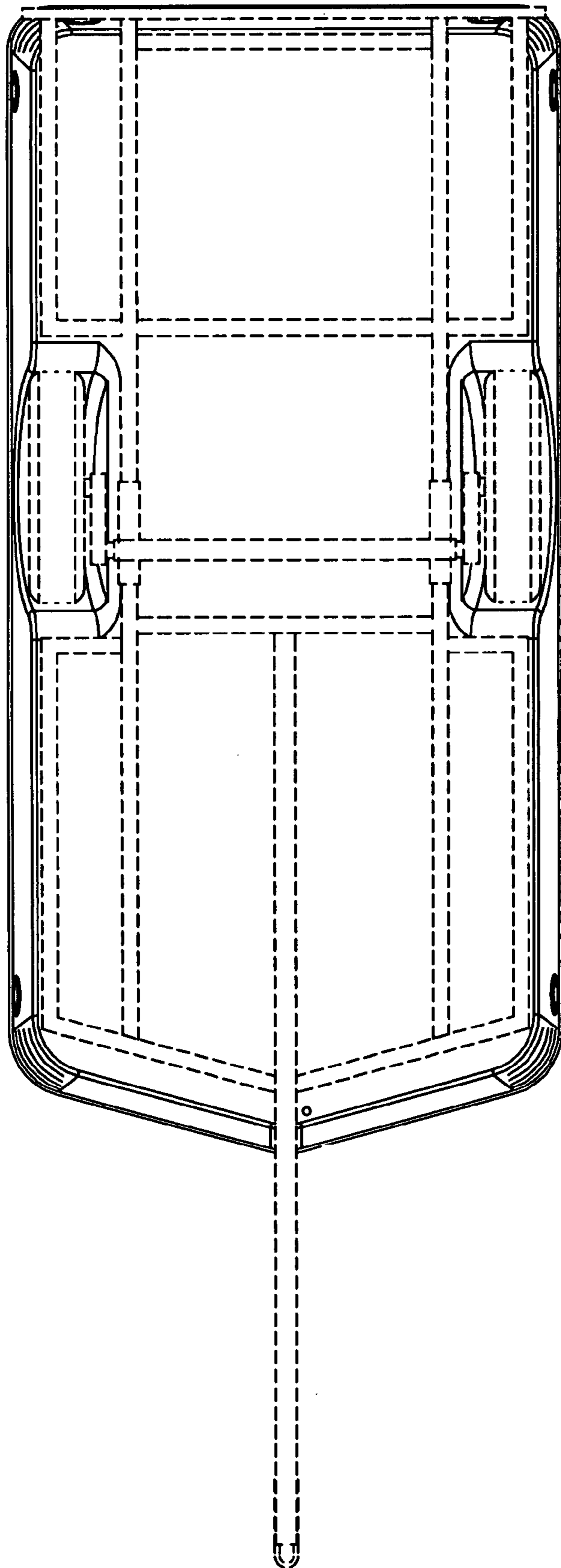


Fig. 6

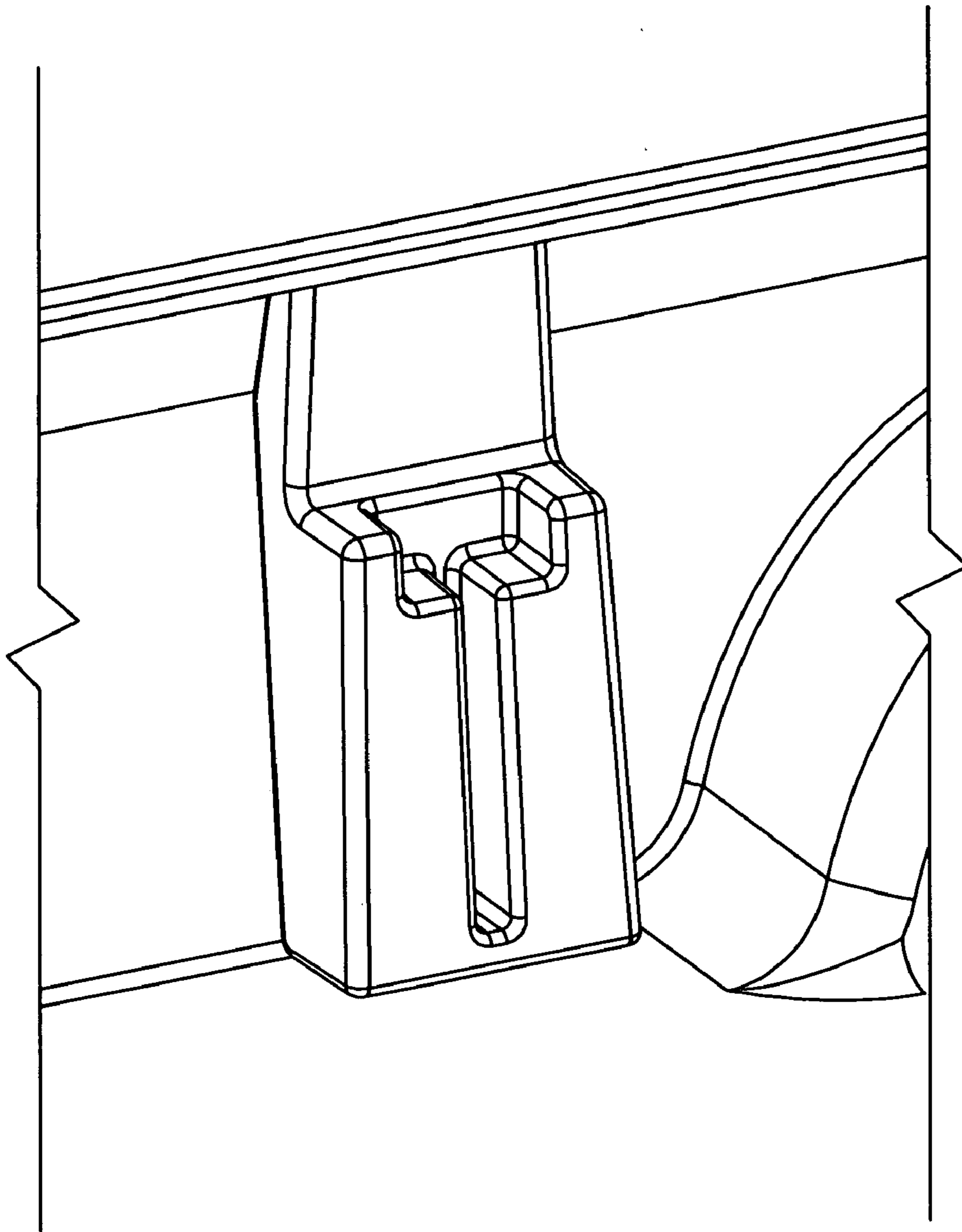


Fig. 7

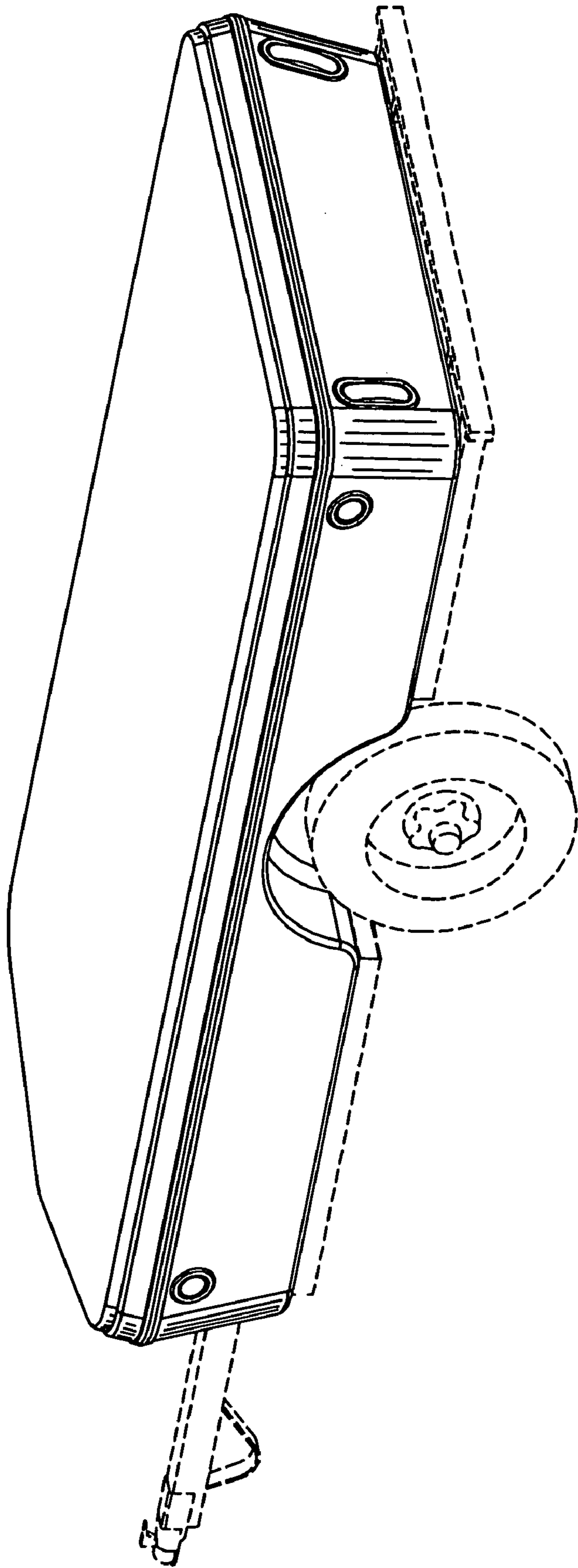


Fig. 8