



US00D561643S

(12) **United States Design Patent**
Bruni et al.

(10) **Patent No.:** **US D561,643 S**

(45) **Date of Patent:** **** Feb. 12, 2008**

(54) **CUFFLINK**

D508,432 S * 8/2005 Cogoli et al. D11/222

(76) Inventors: **Dave Peter Bruni**, 637 Hildebrand Cir.,
Folsom, CA (US) 95630; **Kelly Ann**
Bruni, 637 Hildebrand Cir., Folsom,
CA (US) 95630

* cited by examiner

Primary Examiner—Catherine R. Oliver

(**) Term: **14 Years**

(57) **CLAIM**

The ornamental design for cufflink, as shown and described.

(21) Appl. No.: **29/279,161**

(22) Filed: **Apr. 20, 2007**

DESCRIPTION

(51) **LOC (8) Cl.** **02-07**

FIG. 1 is a perspective view of a cufflink, showing my new design;

(52) **U.S. Cl.** **D11/222**

FIG. 2 is a front elevational view of the invention;

(58) **Field of Classification Search** D11/222,
D11/200, 213–216, 226–228; 24/41–47

FIG. 3 is a rear elevational view of the invention;

See application file for complete search history.

FIG. 4 is a left-side elevational view of the invention;

FIG. 5 is a right-side elevational view of the invention;

(56) **References Cited**

FIG. 6 is a top plan view of the invention; and,

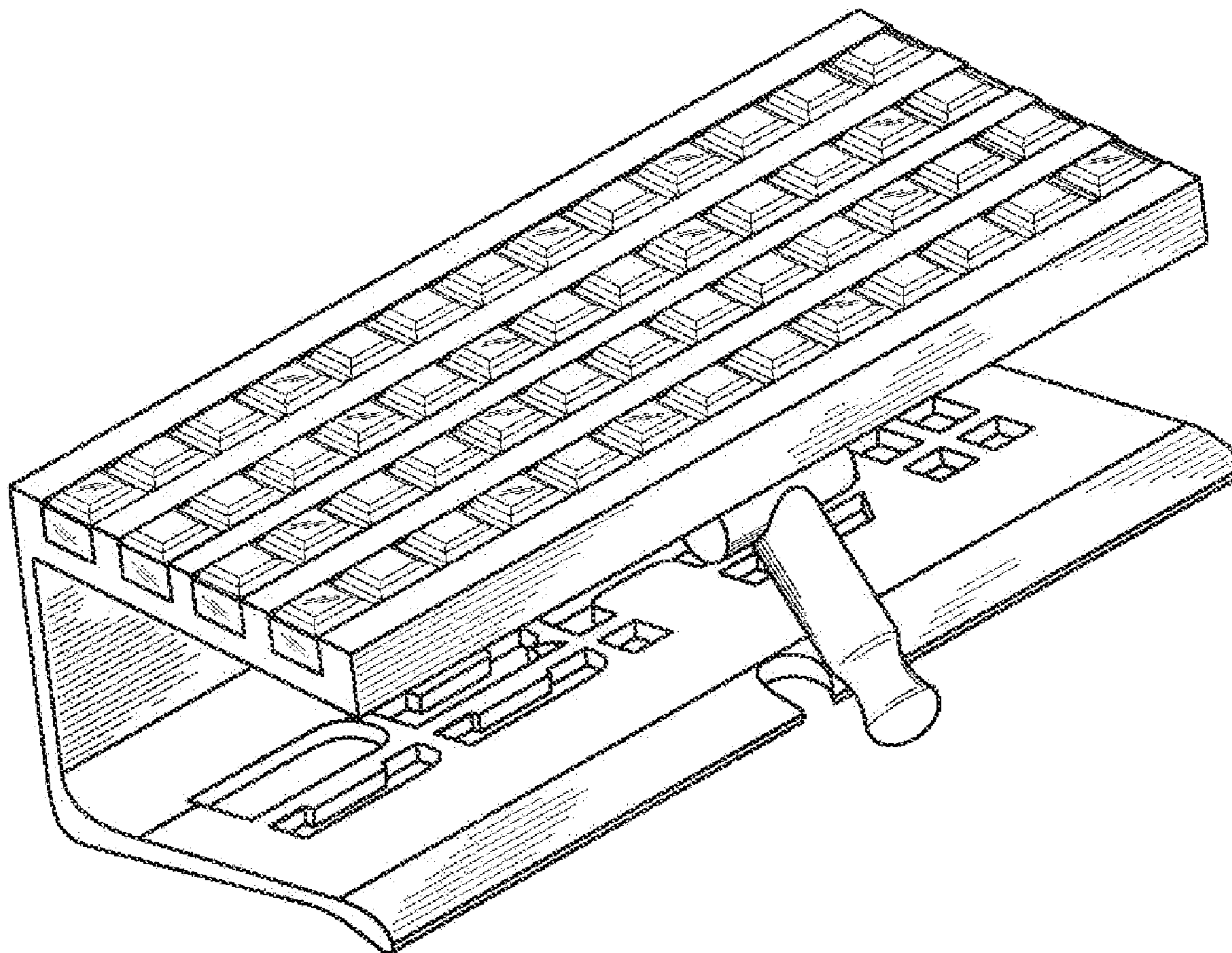
FIG. 7 is a bottom plan view of the invention.

U.S. PATENT DOCUMENTS

D160,002 S * 9/1950 Moulson D11/222

D415,068 S * 10/1999 Calvani D11/222

1 Claim, 2 Drawing Sheets



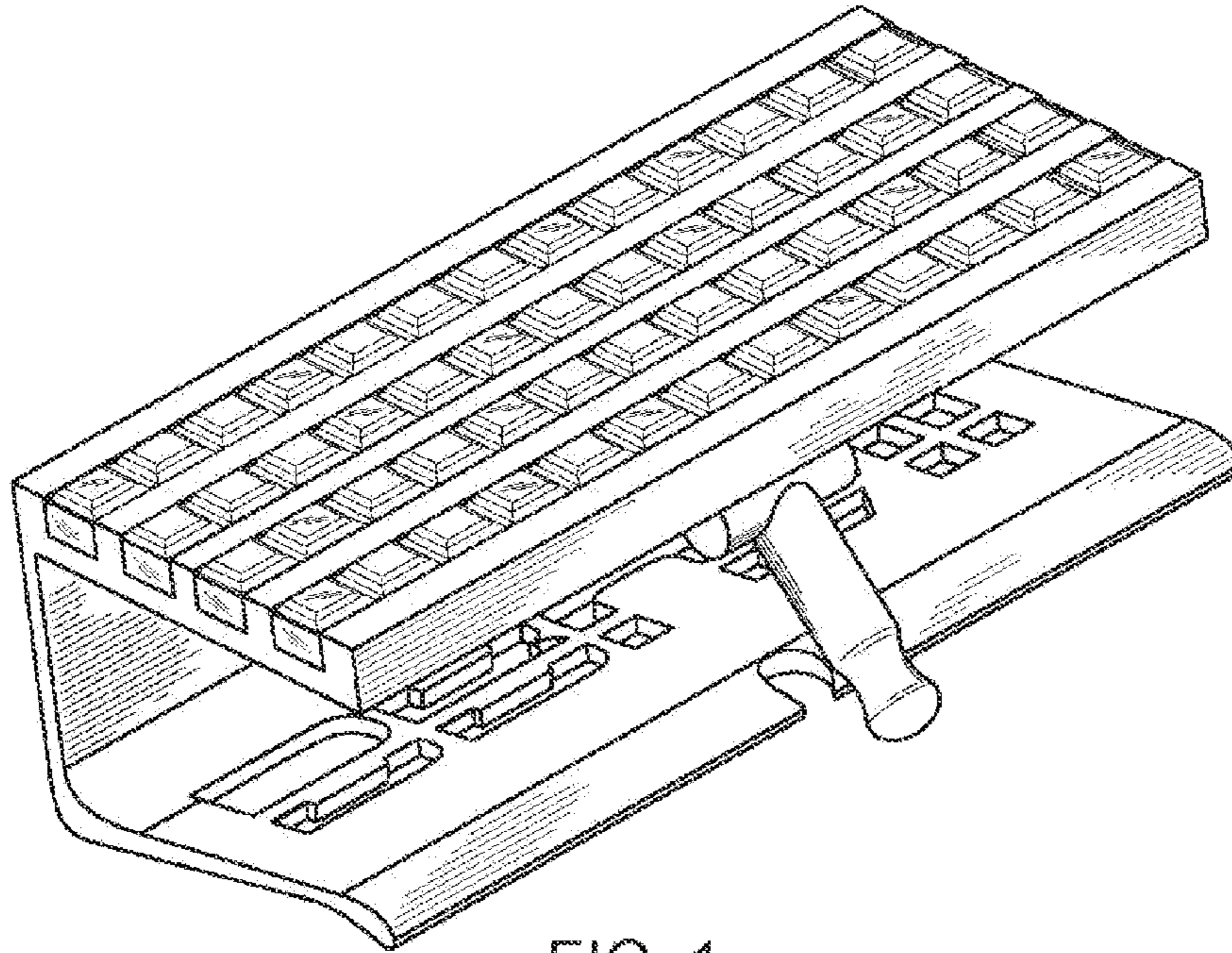


FIG. 1

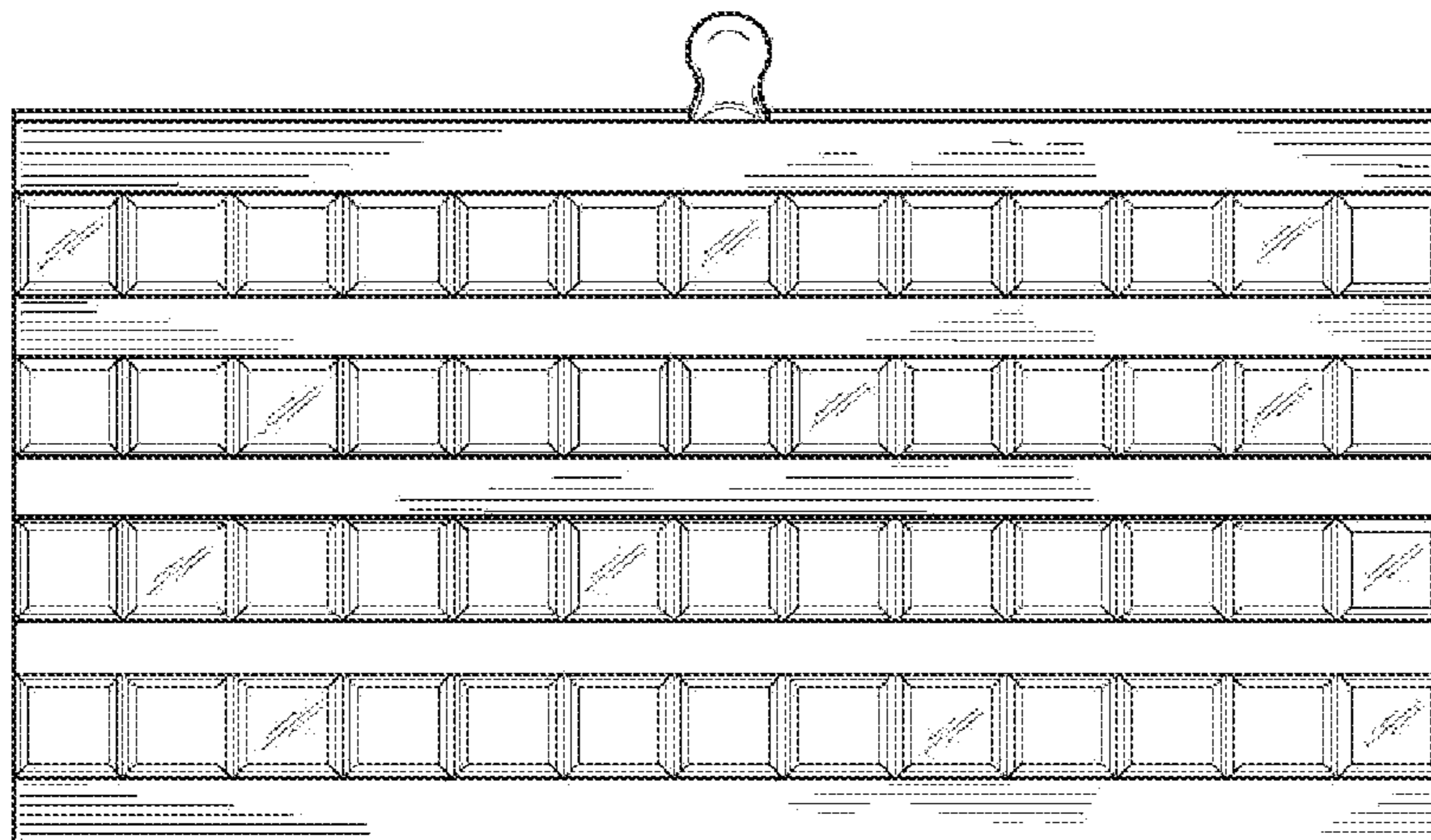


FIG. 2

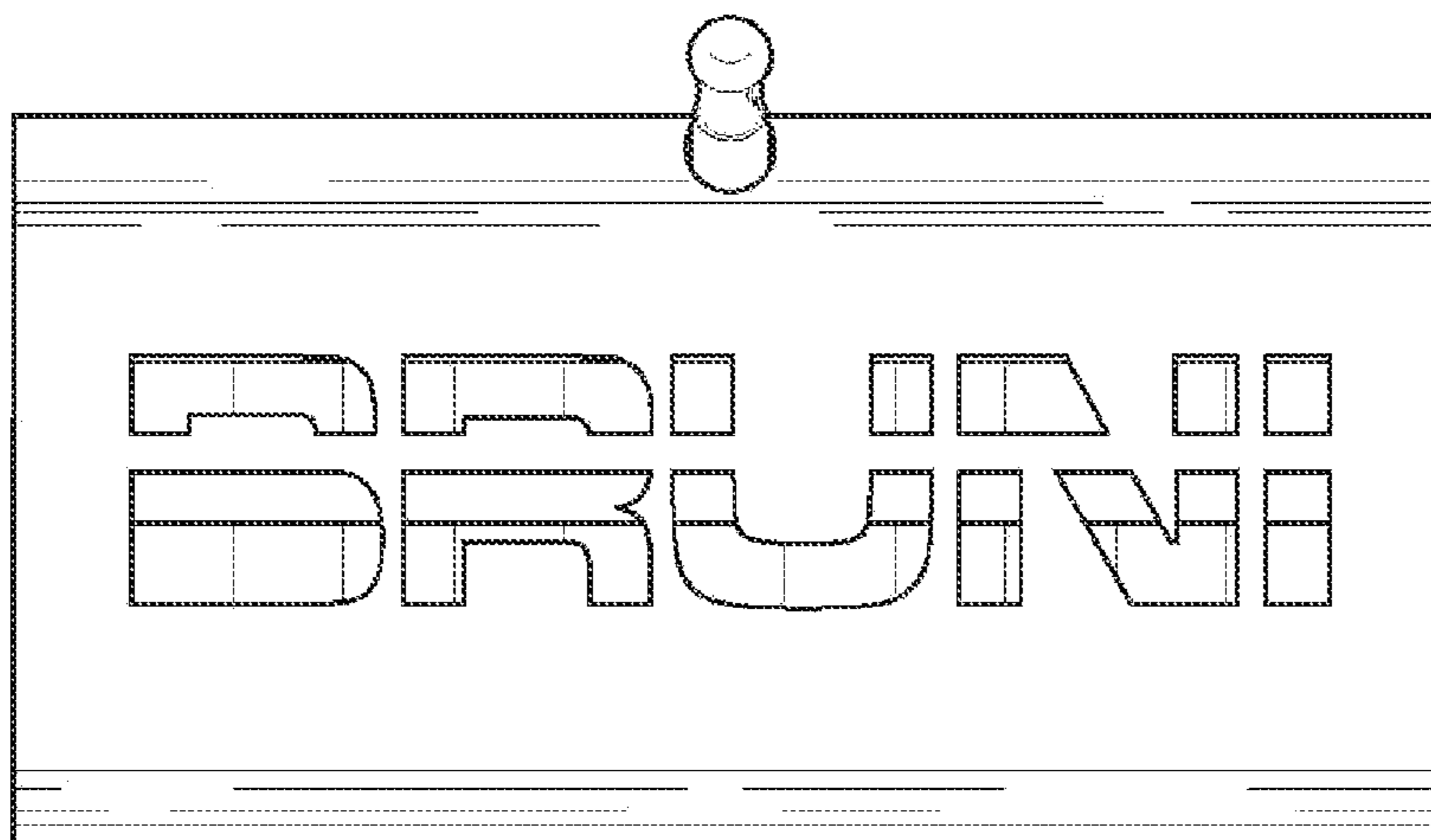


FIG. 3

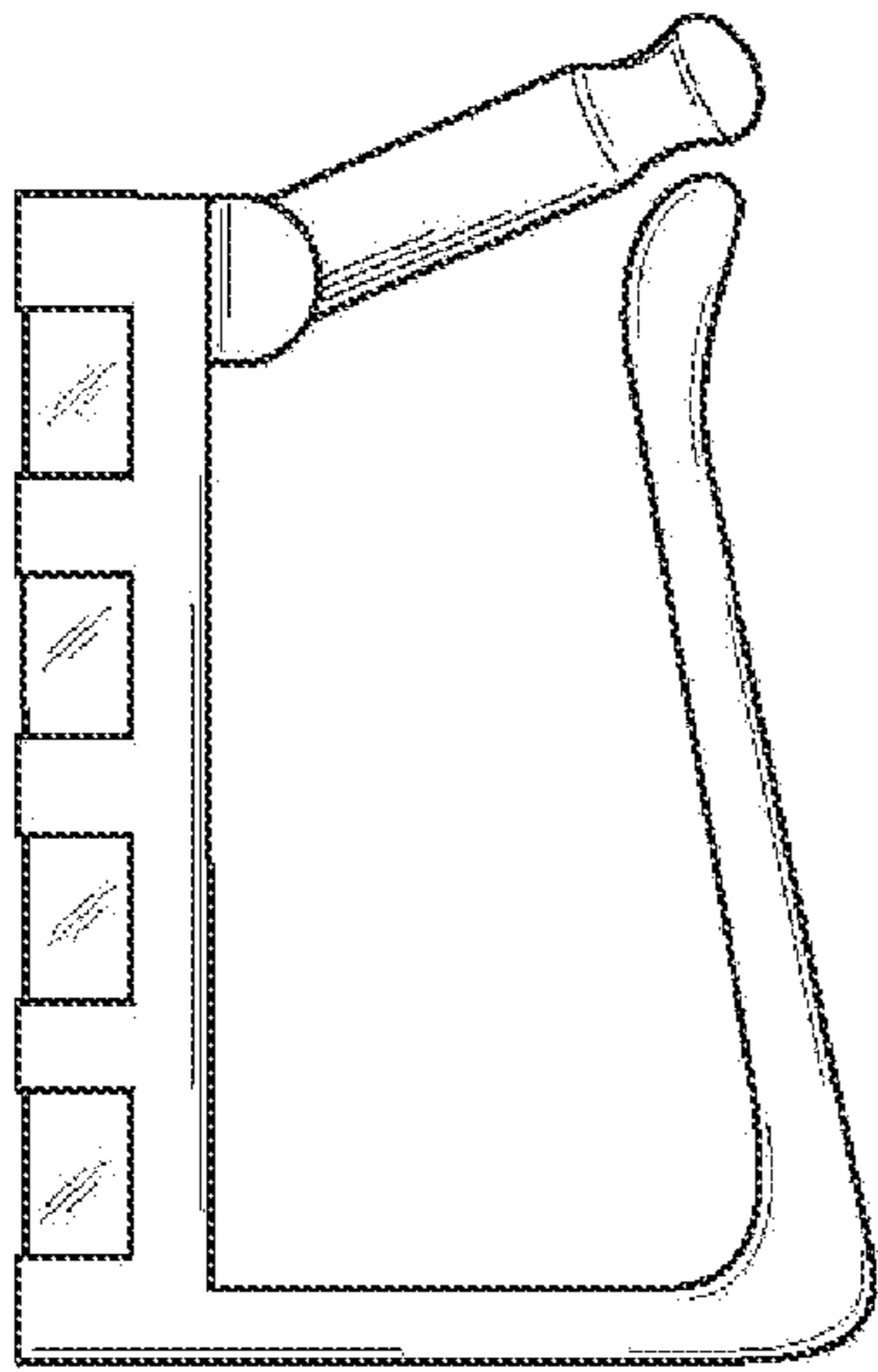


FIG. 4

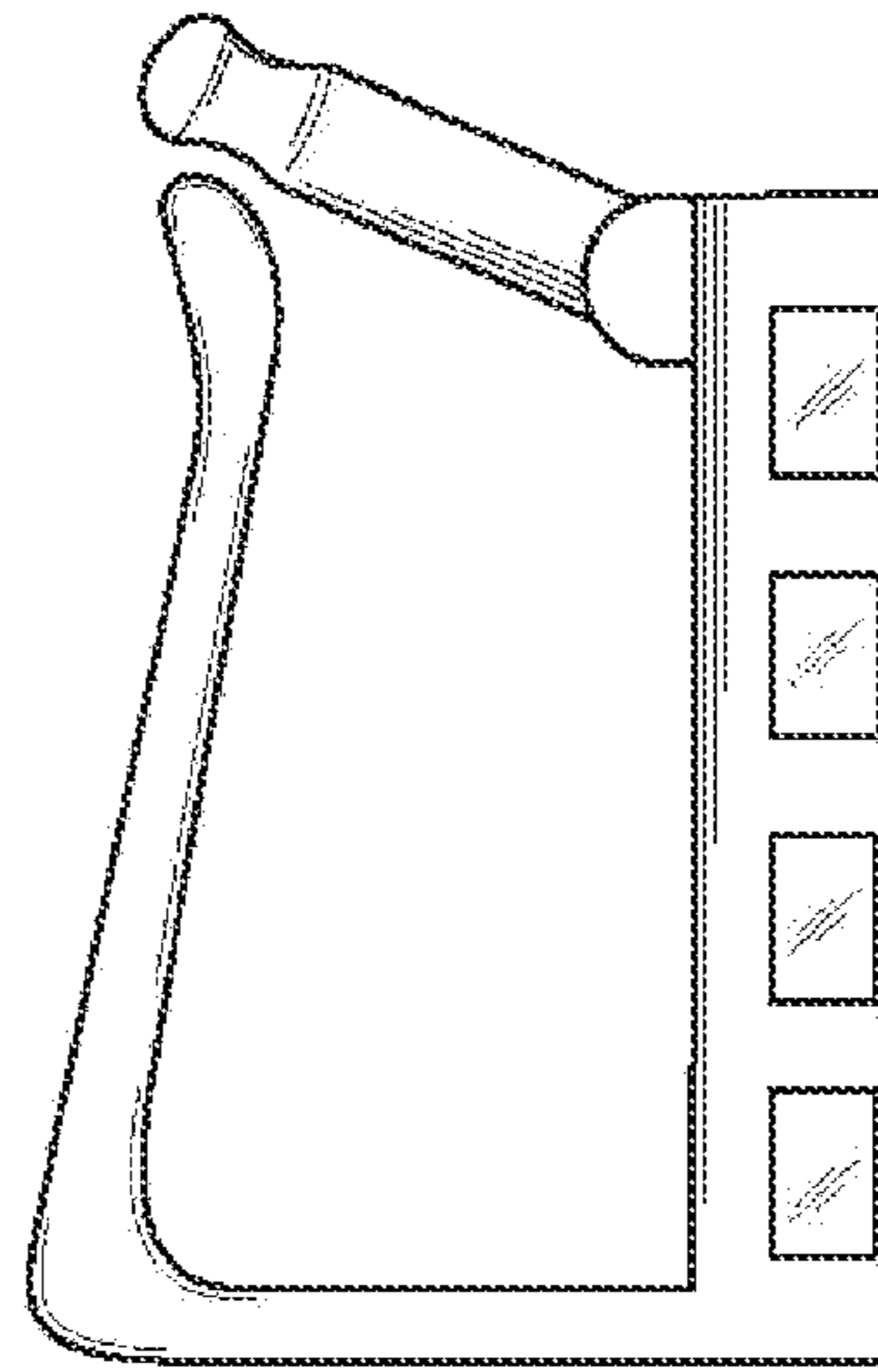


FIG. 5

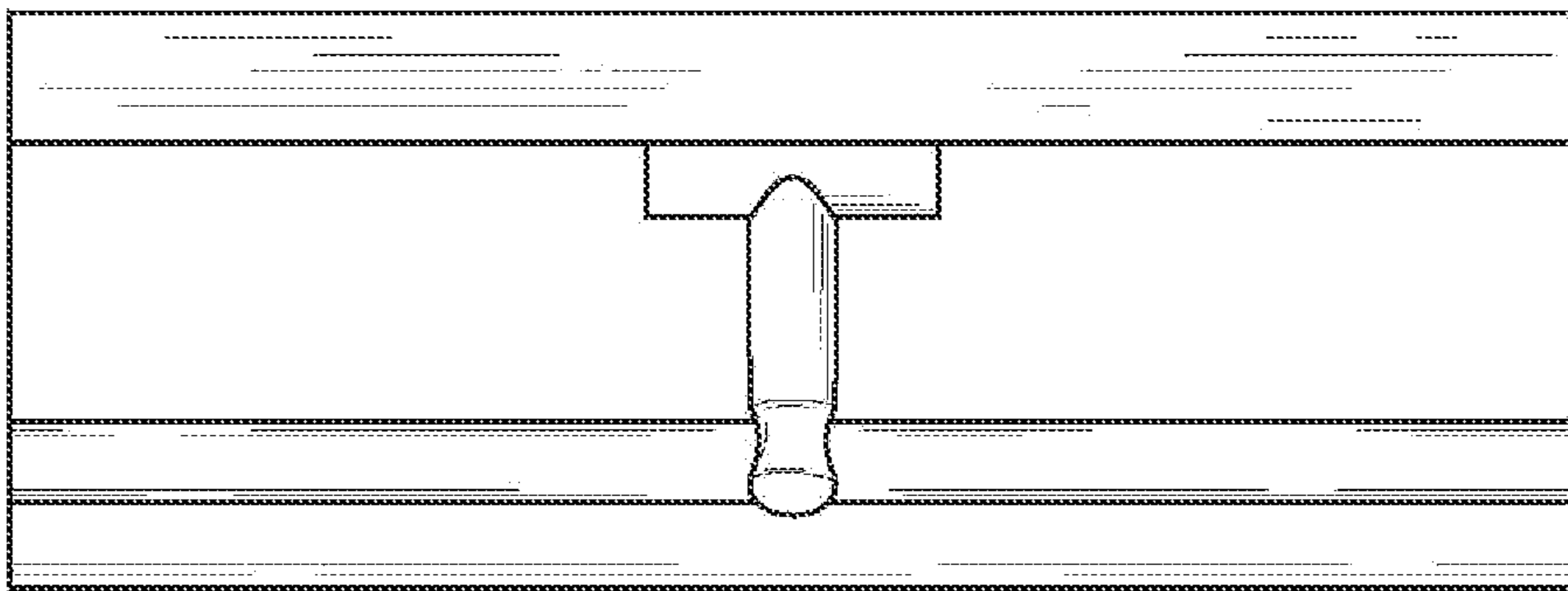


FIG. 6

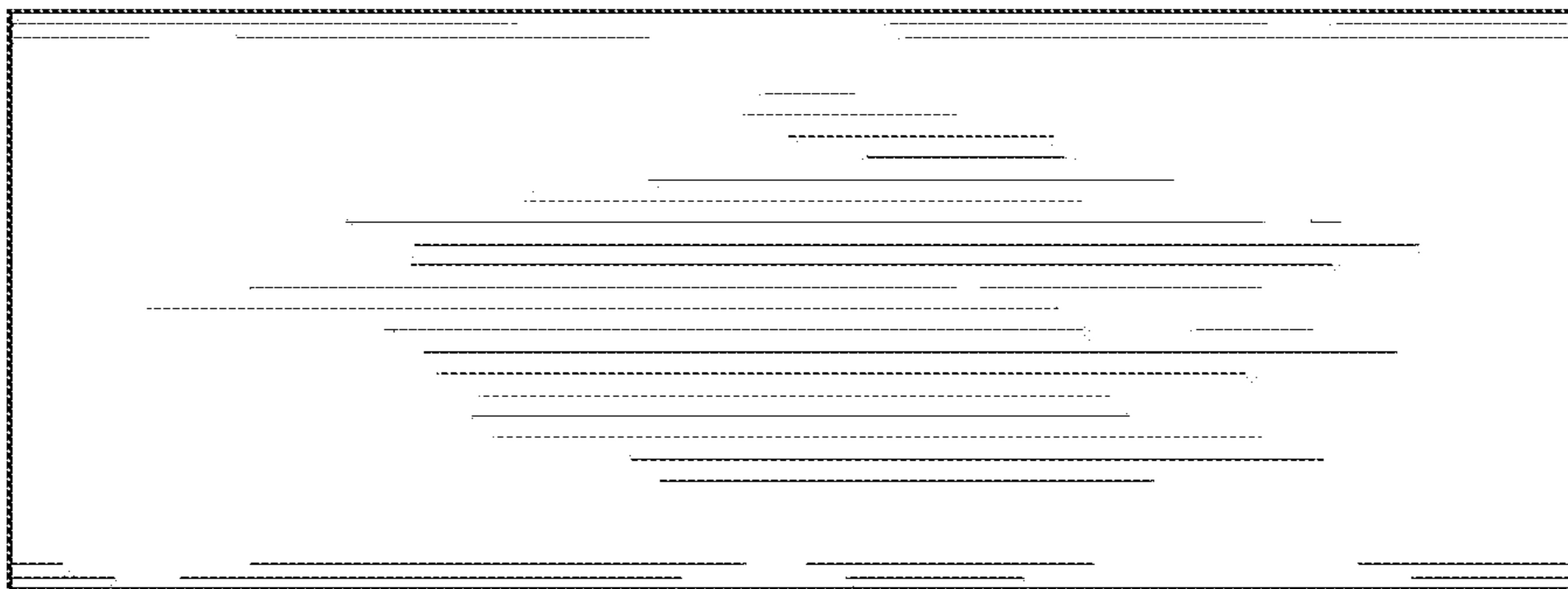


FIG. 7