

US00D561642S

(12) **United States Design Patent**  
**Wemmer**

(10) **Patent No.:** **US D561,642 S**

(45) **Date of Patent:** **\*\* Feb. 12, 2008**

(54) **FEMALE UNIT FOR QUICK-RELEASE BUCKLE**

(75) Inventor: **Jeffrey M Wemmer**, Odessa, TX (US)

(73) Assignee: **Best Made Designs, L.L.C.**, Monahans, TX (US)

(\*\*) Term: **14 Years**

(21) Appl. No.: **29/246,505**

(22) Filed: **Apr. 19, 2006**

(51) **LOC (8) Cl.** ..... **02-07**

(52) **U.S. Cl.** ..... **D11/216**

(58) **Field of Classification Search** ..... D11/200–201,  
D11/206–210, 214–216, 218; 24/163 R,  
24/169–171, 173, 177–179, 191, 194, 195,  
24/200, 197

See application file for complete search history.

(56) **References Cited**

**U.S. PATENT DOCUMENTS**

D303,233 S *	9/1989	Jang	.....	D11/216
D375,919 S *	11/1996	Krauss	.....	D11/216
D397,063 S *	8/1998	Woellert et al.	.....	D11/216
D473,487 S *	4/2003	Kaneko	.....	D11/216

\* cited by examiner

*Primary Examiner*—Ralf Seifert

(74) *Attorney, Agent, or Firm*—Howison & Arnott, L.L.P.

(57) **CLAIM**

The ornamental design for a female unit for quick-release buckle, as shown.

**DESCRIPTION**

FIG. 1 is a perspective view of a female unit for a quick-release buckle in accordance with one embodiment of the design;

FIG. 2 is a top view thereof;

FIG. 3 is a front view thereof;

FIG. 4 is a left side view thereof;

FIG. 5 is a right side view thereof;

FIG. 6 is a bottom view thereof;

FIG. 7 is a back view thereof;

FIG. 8 is a perspective view of a female unit for a quick-release buckle showing a second embodiment of my new design;

FIG. 9 is a top view of FIG. 8;

FIG. 10 is a front view of FIG. 8;

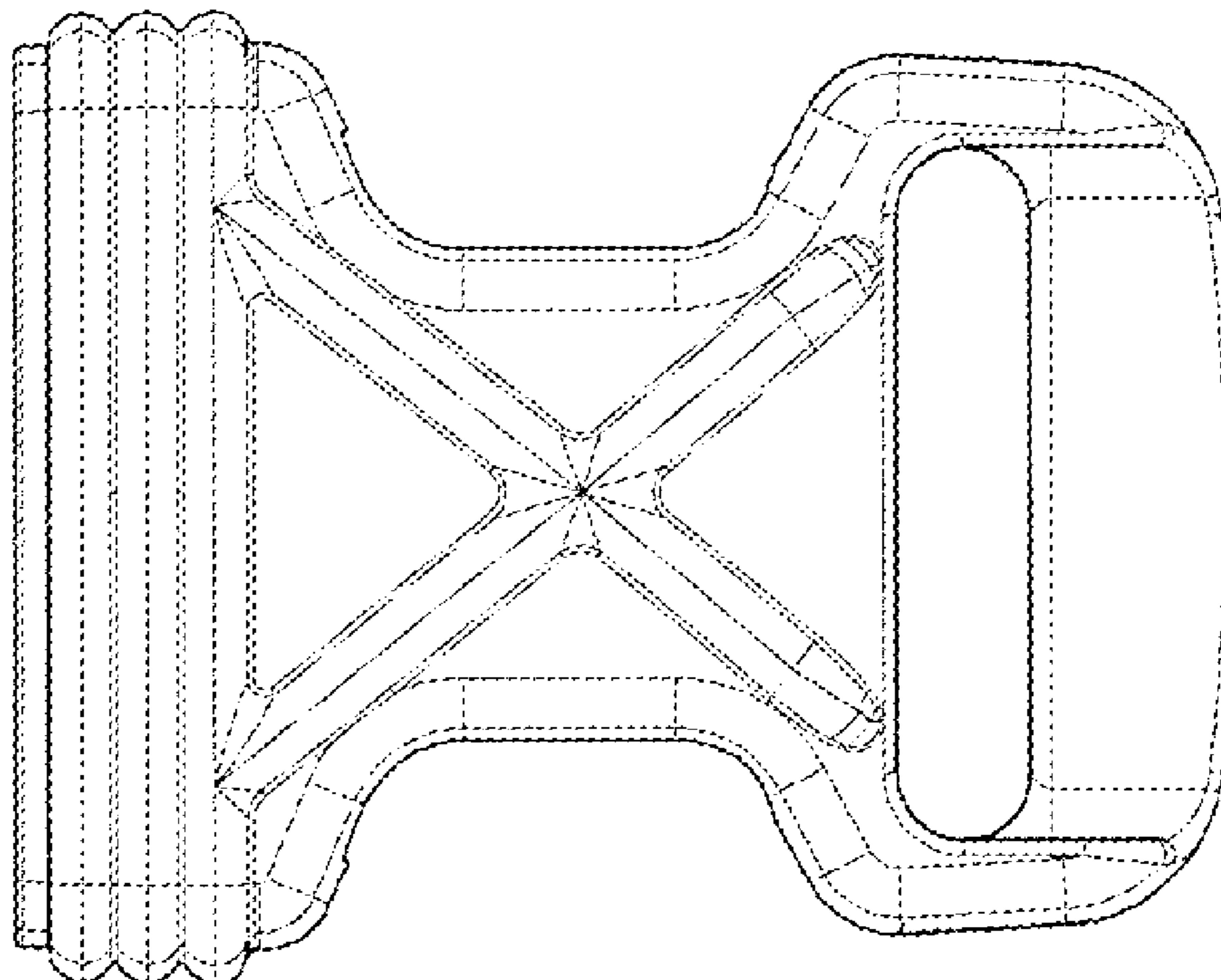
FIG. 11 is a left side view of FIG. 8;

FIG. 12 is a right side view of FIG. 8;

FIG. 13 is a bottom view of FIG. 8; and,

FIG. 14 is a back view of FIG. 8.

**1 Claim, 2 Drawing Sheets**



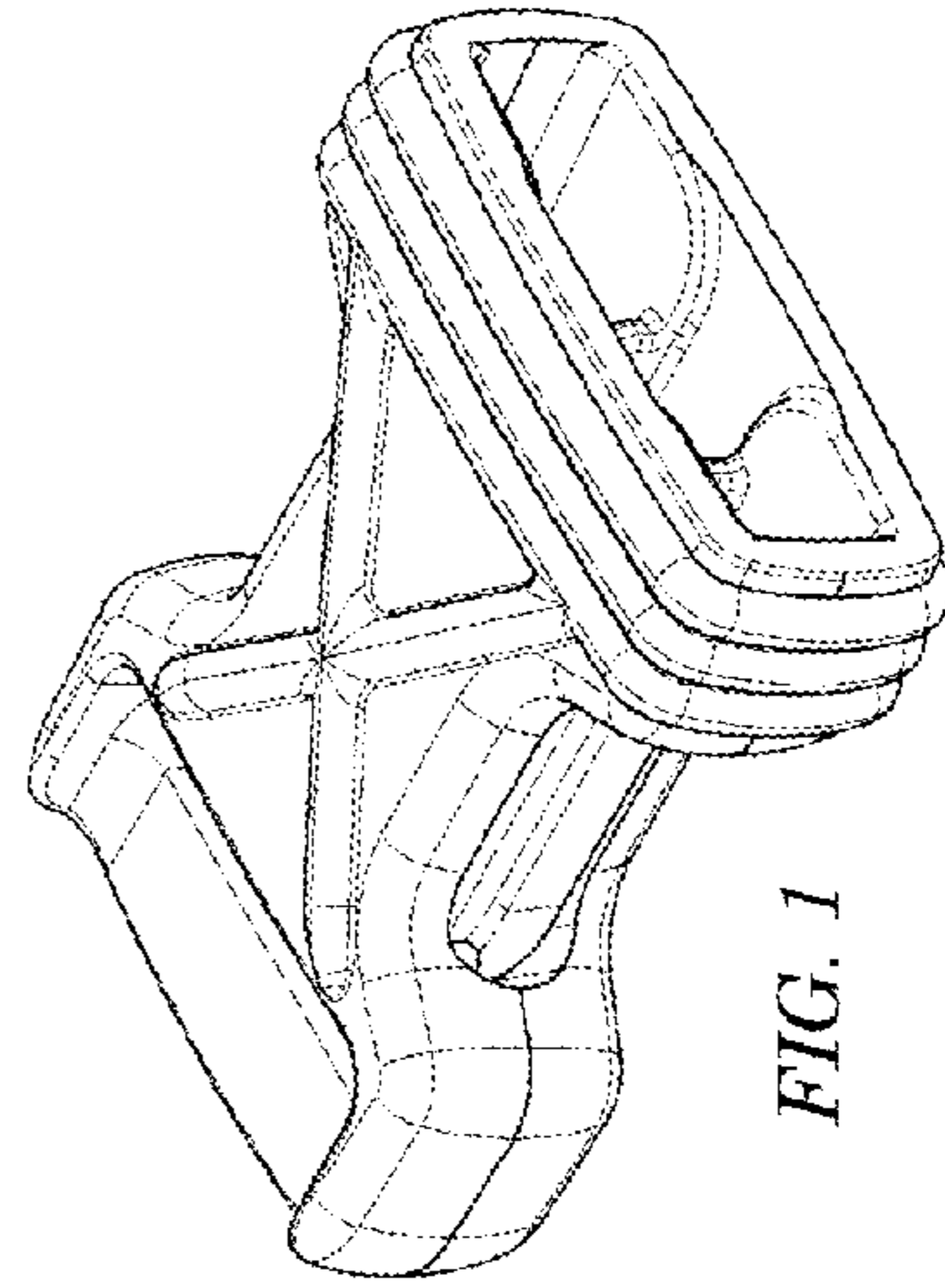


FIG. 1

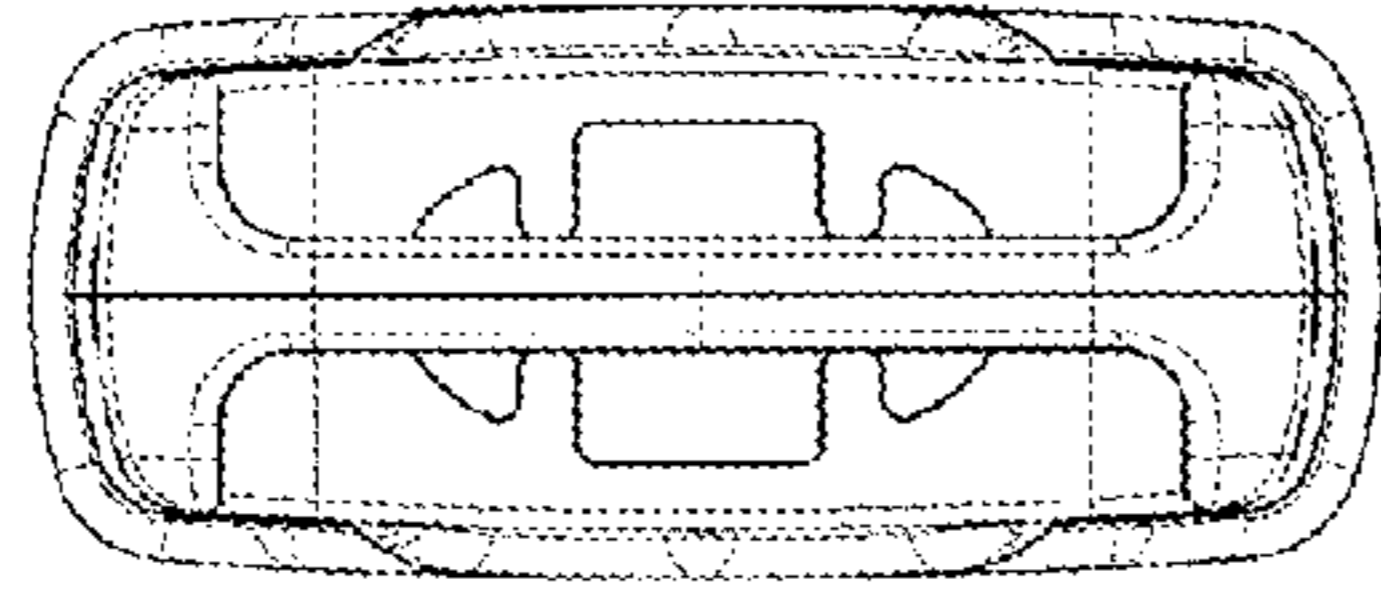


FIG. 5

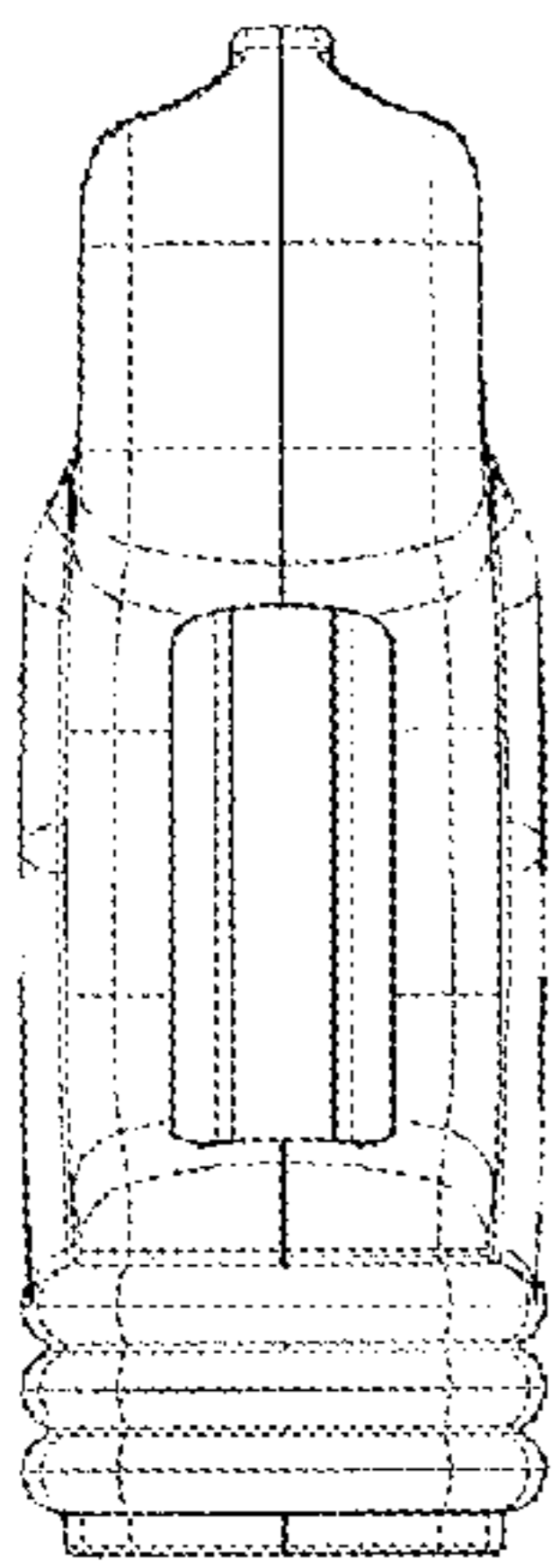


FIG. 2

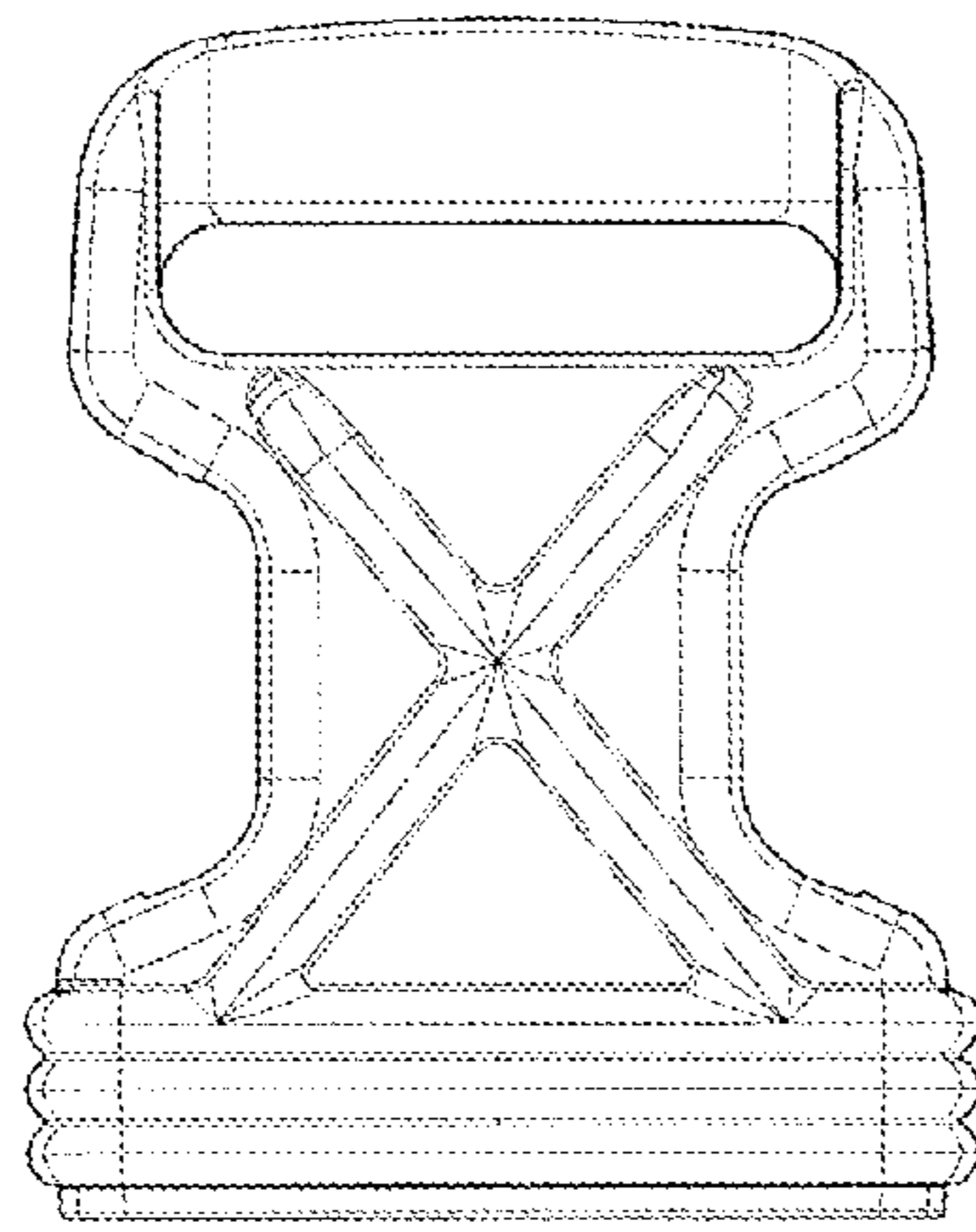


FIG. 3

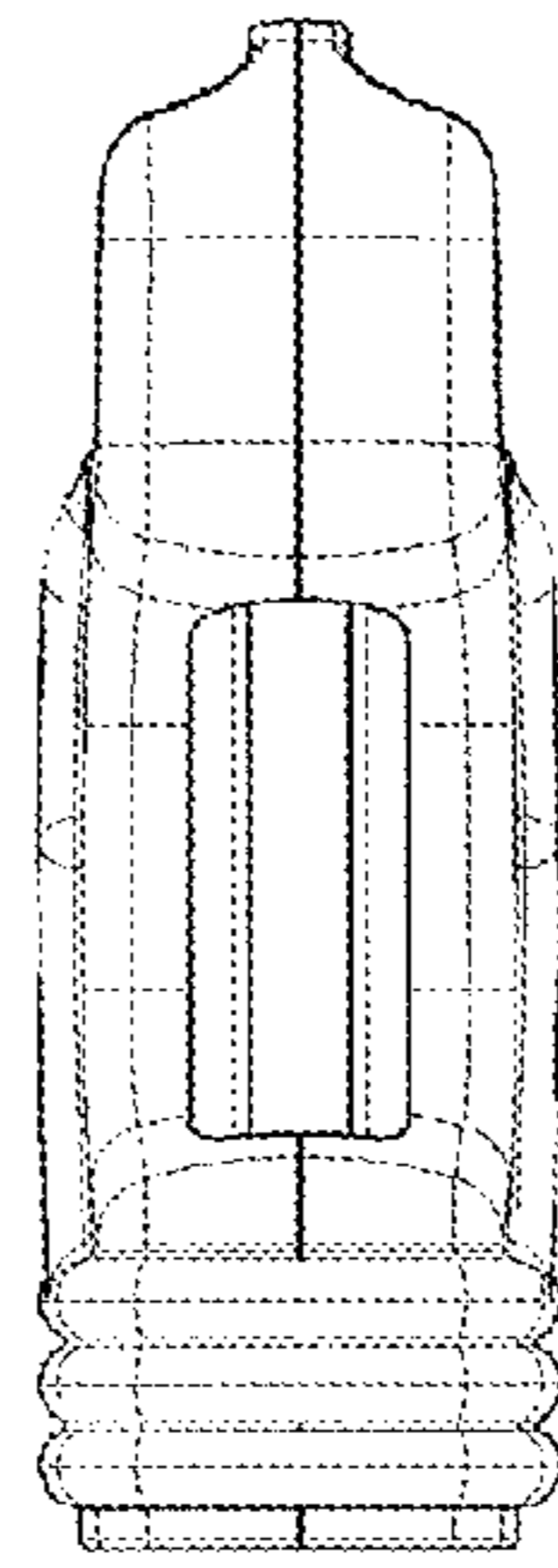


FIG. 6

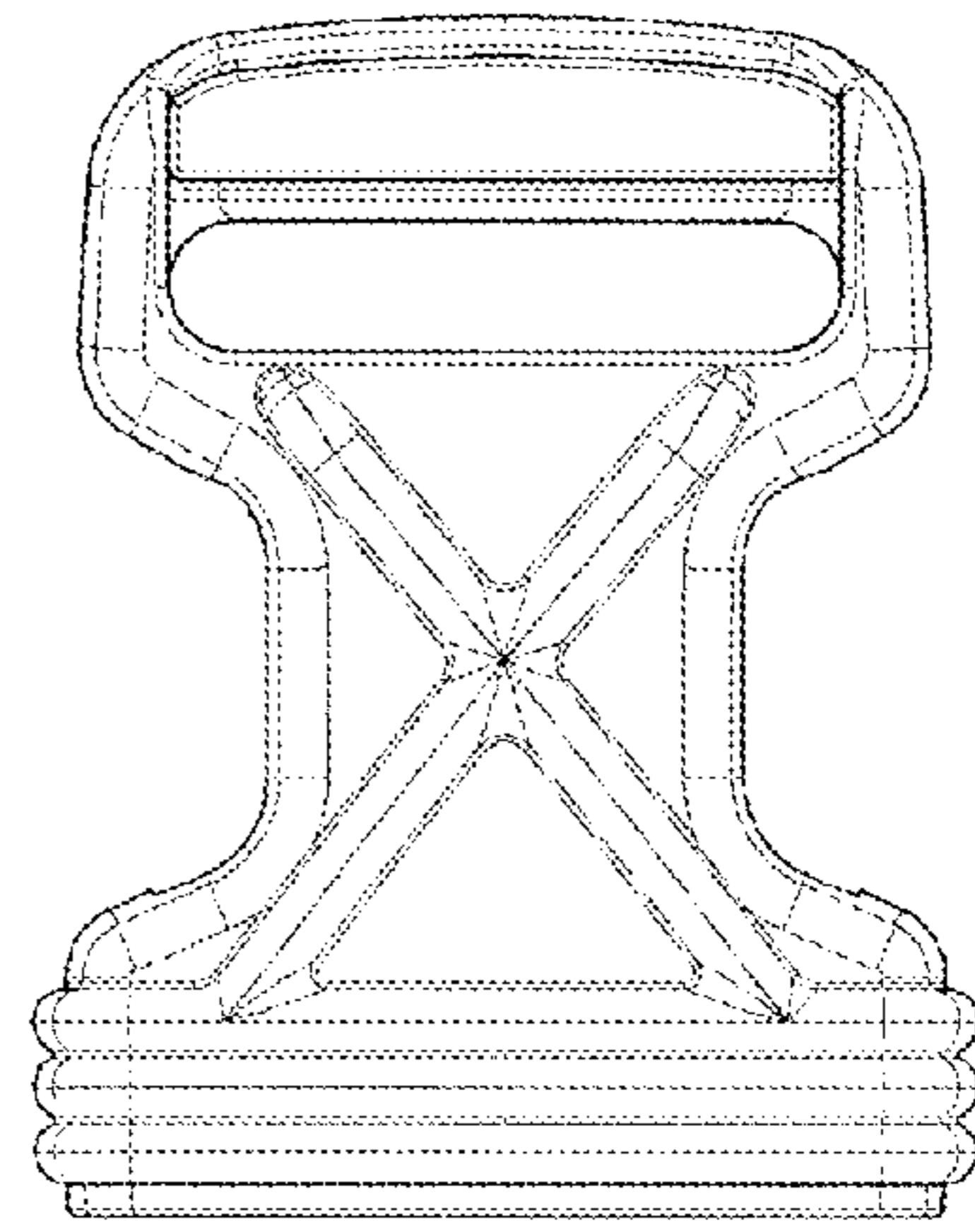


FIG. 7

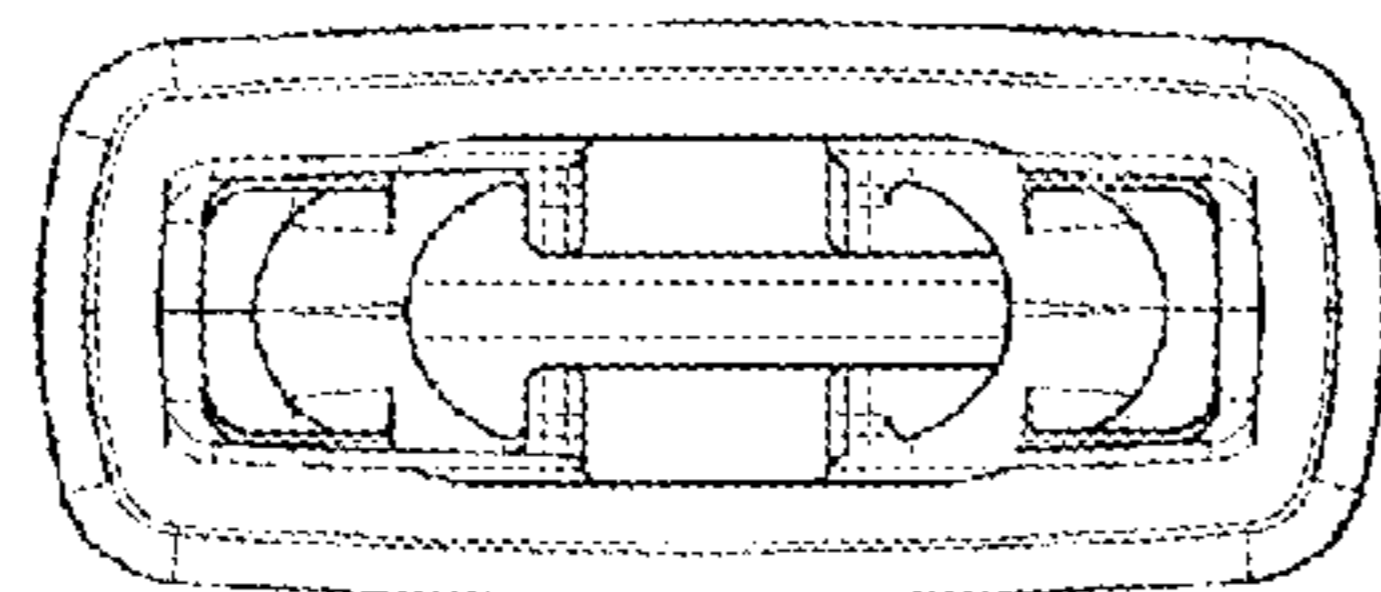


FIG. 4

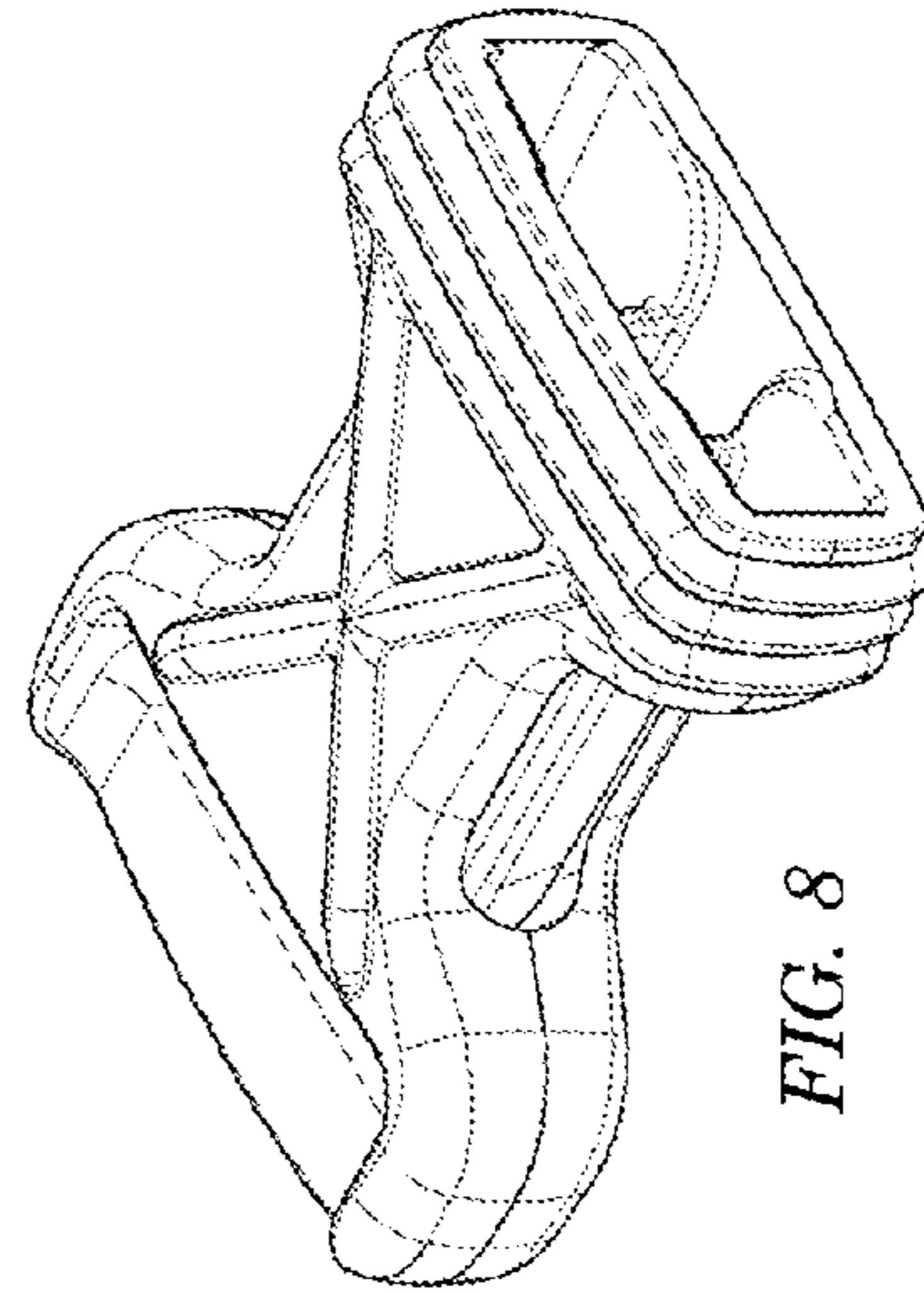


FIG. 8

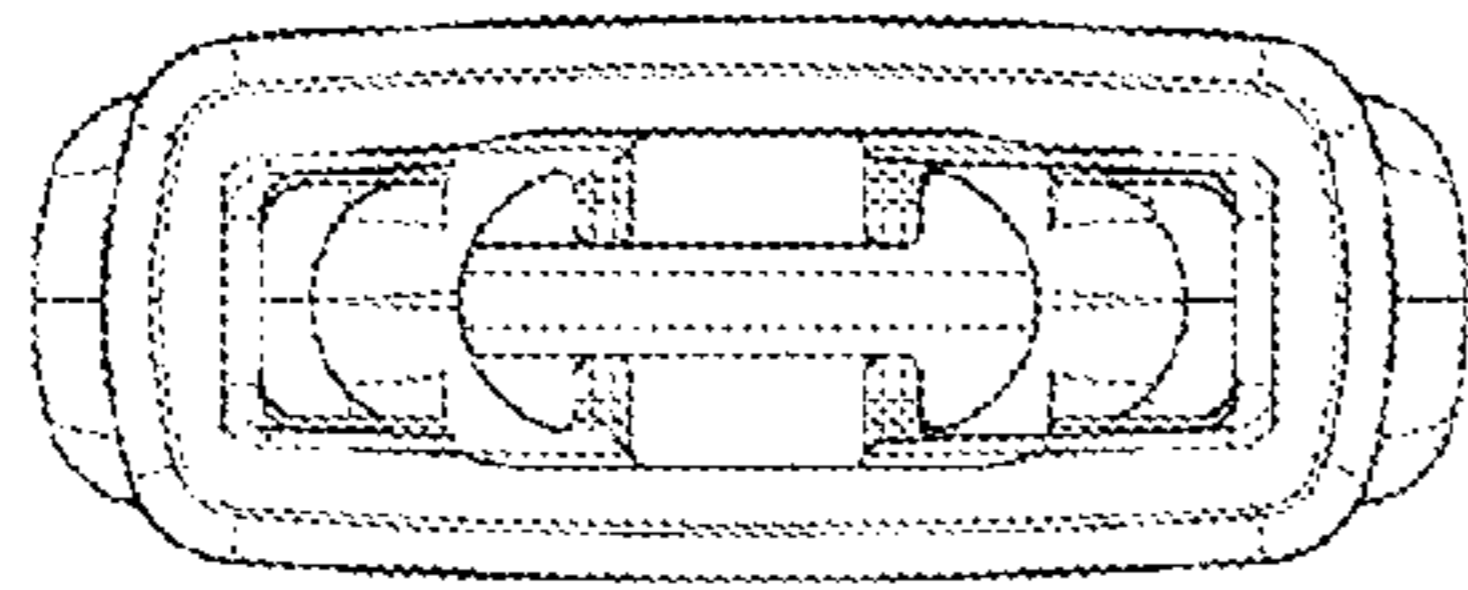


FIG. 12

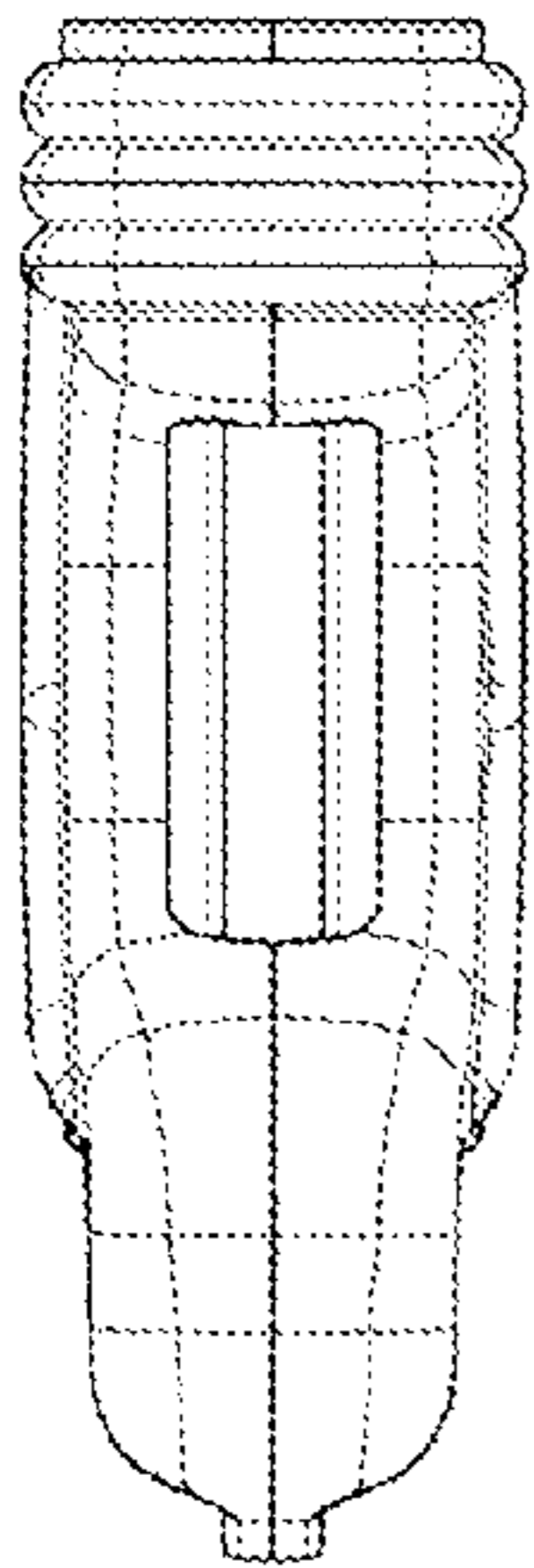


FIG. 9

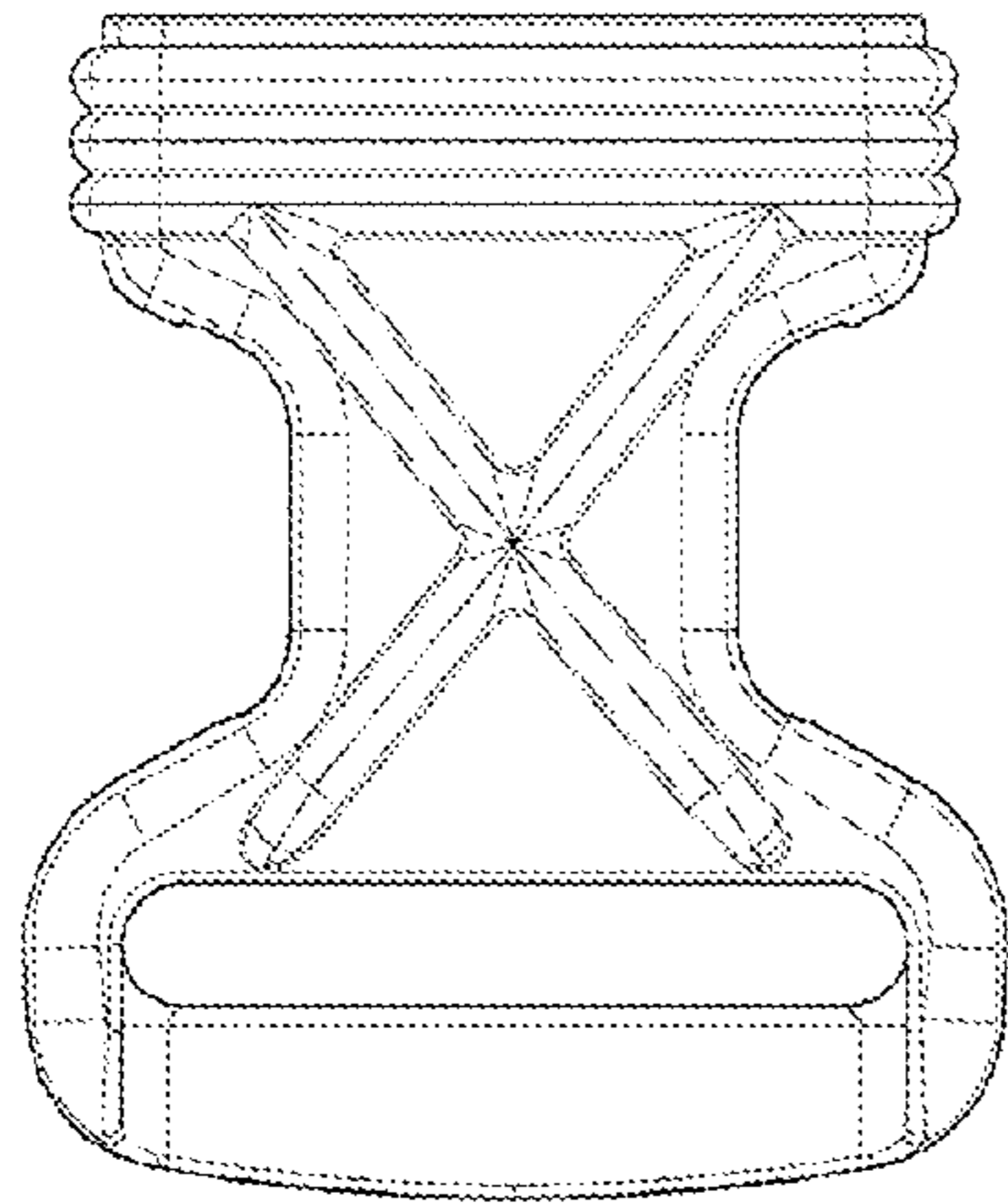


FIG. 10

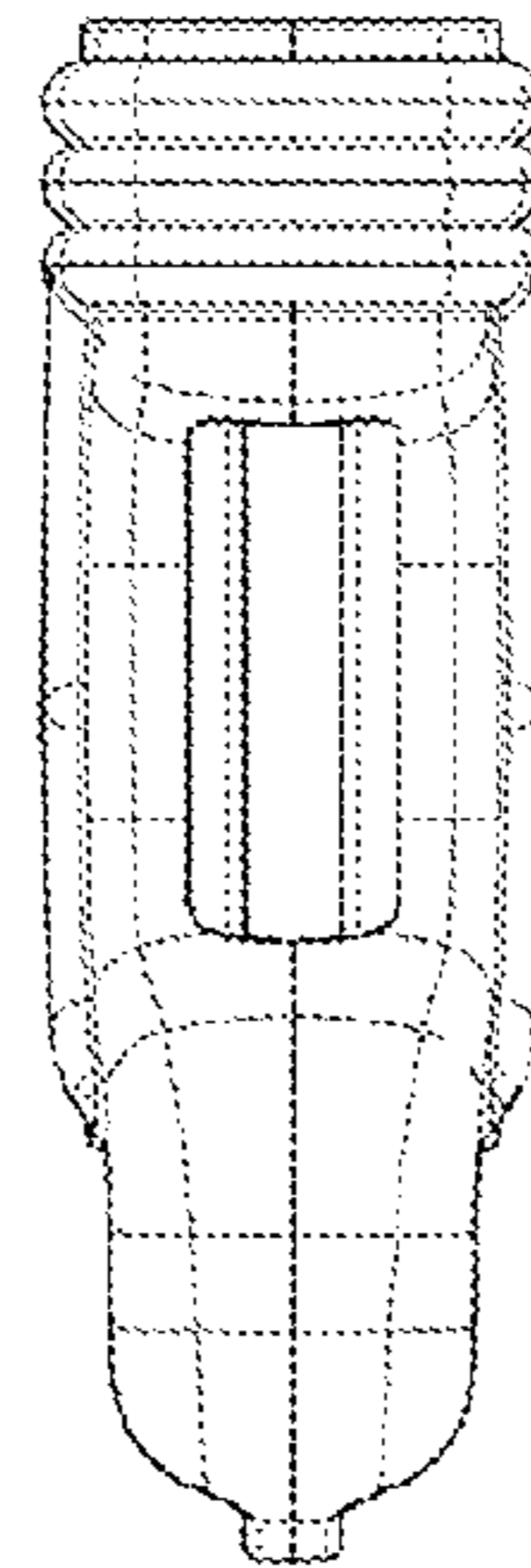


FIG. 13

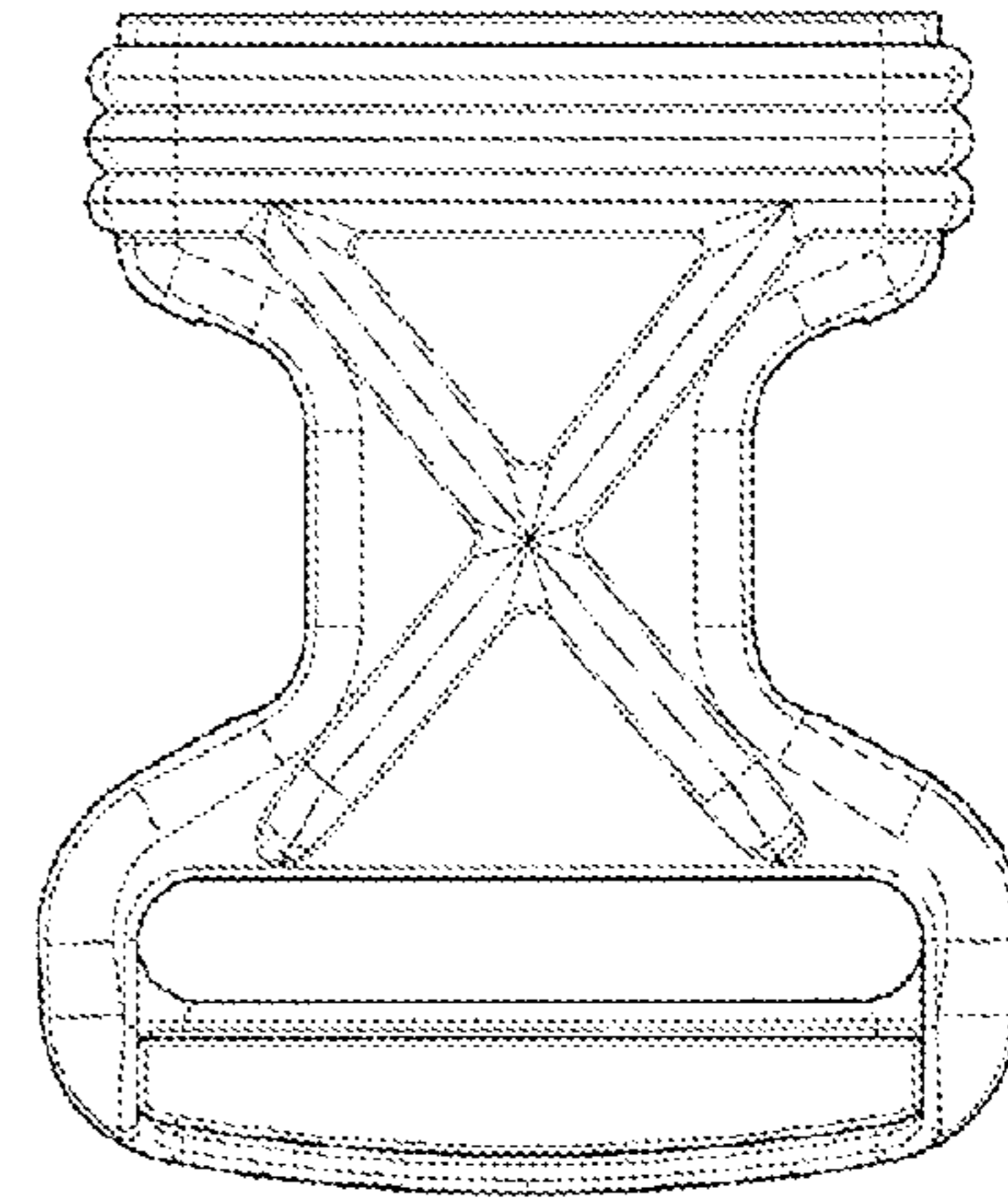


FIG. 14

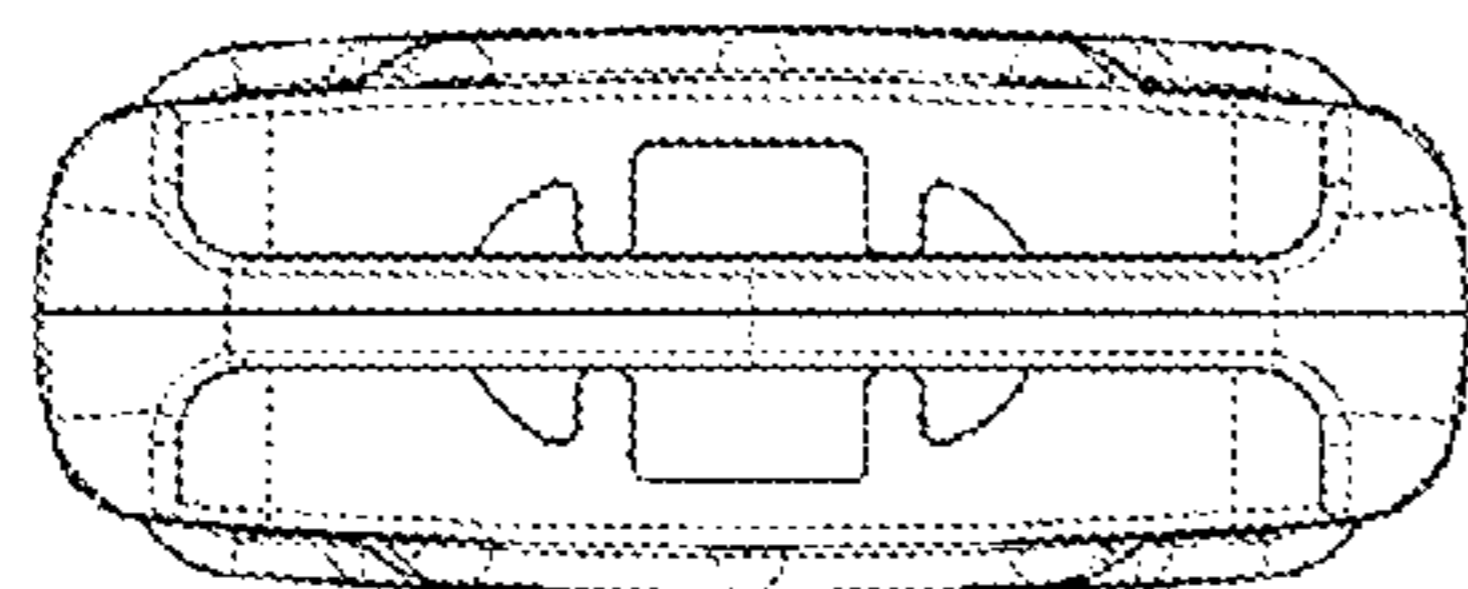


FIG. 11