



US00D561641S

(12) **United States Design Patent**  
**Fildan et al.**

(10) **Patent No.:** **US D561,641 S**  
(45) **Date of Patent:** **\*\* Feb. 12, 2008**

- (54) **BRASSIERE FRONT CLOSURE**
- (75) Inventors: **Gerhard Fildan**, Vienna (AT); **Karl Wanzenböck**, Leobersdorf (AT)
- (73) Assignee: **Fildan Accessories Corporation**, Humble, TX (US)
- (\*\*) Term: **14 Years**
- (21) Appl. No.: **29/211,976**
- (22) Filed: **Aug. 24, 2004**
- (51) **LOC (8) Cl.** ..... **02-07**
- (52) **U.S. Cl.** ..... **D11/200**
- (58) **Field of Classification Search** ..... D11/200, D11/201, 208–210, 212–218, 220, 230–234, D11/236–237, 86–87, 94; 63/15.2, 15; 24/307, 24/625, 616, 200, 196, 637, 171, 169, 112, 24/614, 615; D2/706, 709; 450/36, 45  
See application file for complete search history.

- D403,618 S \* 1/1999 Fildan ..... D11/210
- D410,411 S \* 6/1999 Fildan ..... D11/210
- D412,462 S \* 8/1999 Fildan ..... D11/208
- D433,965 S \* 11/2000 Fildan et al. .... D11/220
- D440,905 S \* 4/2001 Fildan et al. .... D11/218
- D455,980 S \* 4/2002 Fildan et al. .... D11/200
- D503,026 S \* 3/2005 Sirimarco ..... D2/709
- D509,459 S \* 9/2005 Pontaoe ..... D11/208

\* cited by examiner

*Primary Examiner*—Ralf Seifert

(74) *Attorney, Agent, or Firm*—Andrew Wilford

(57) **CLAIM**

The ornamental design for a brassiere front closure, as shown and described.

**DESCRIPTION**

FIG. 1 is a front elevational view of a brassiere front closure showing our new design;

FIG. 2 is a bottom plan view thereof, the top plan view being mirror symmetrical thereto;

FIG. 3 is a rear elevational view thereof;

FIG. 4 is a left side elevational view thereof, the right side elevational view being identical thereto;

FIG. 5 is a front elevational view of one of the members thereof, the other member being identical thereto;

FIG. 6 is a bottom plan view thereof, the top plan view being mirror symmetrical thereto; and,

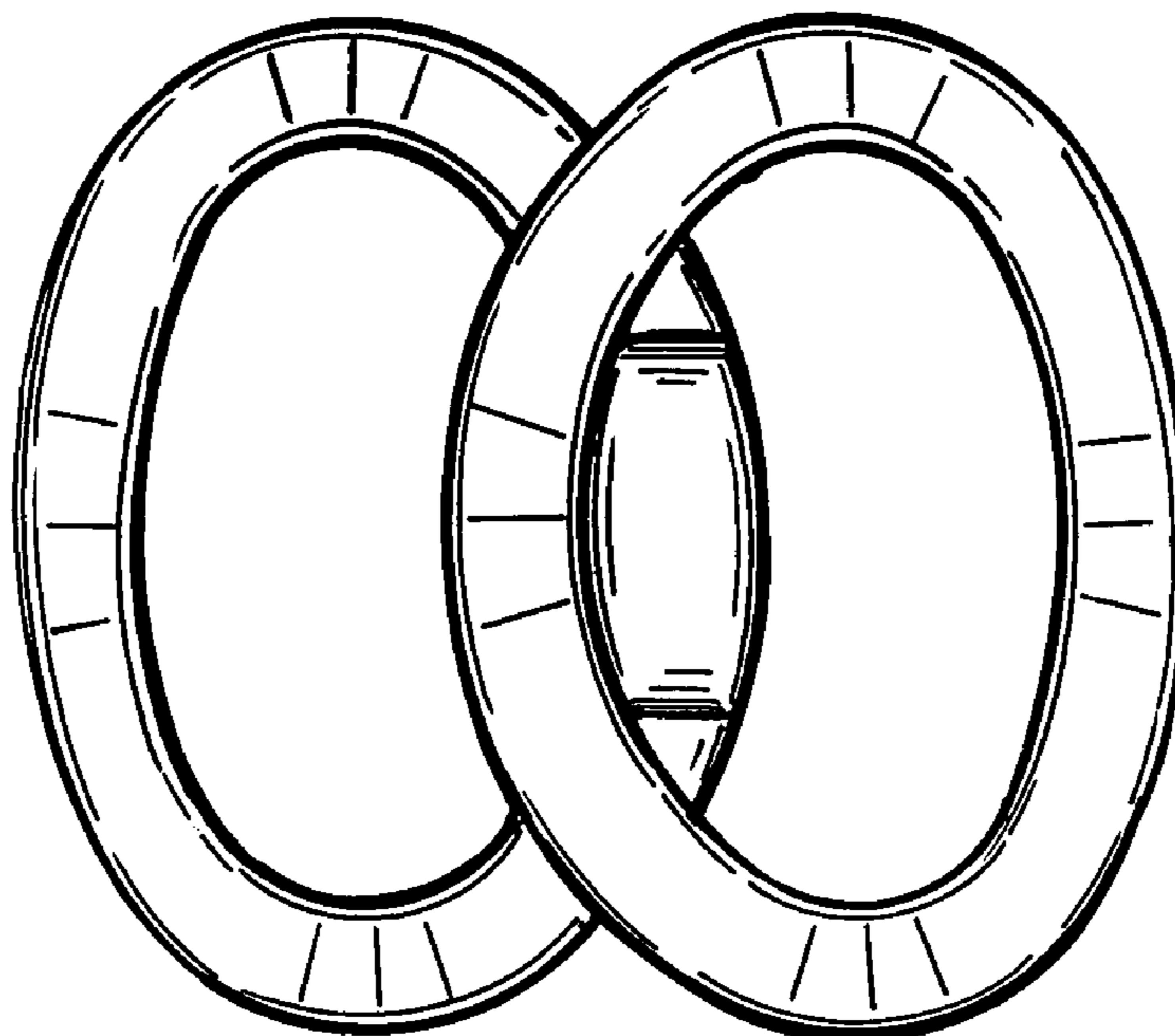
FIG. 7 is a rear elevational view thereof.

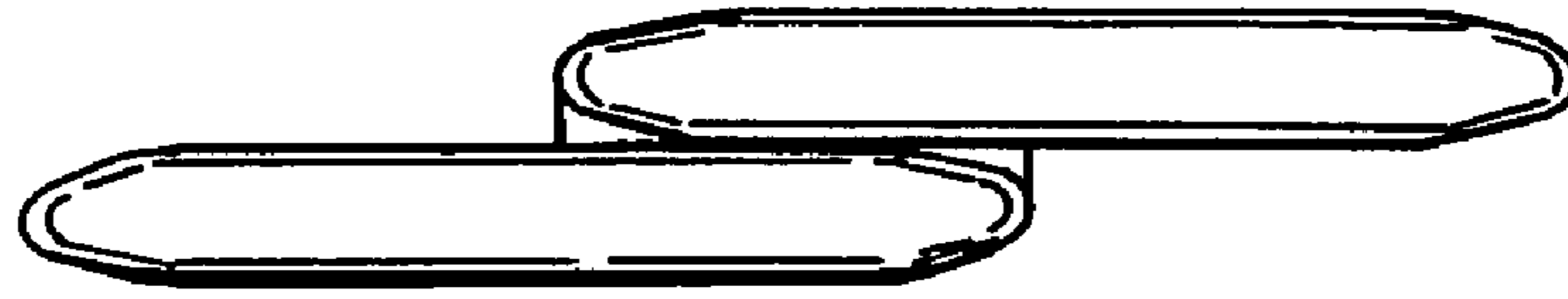
(56) **References Cited**

U.S. PATENT DOCUMENTS

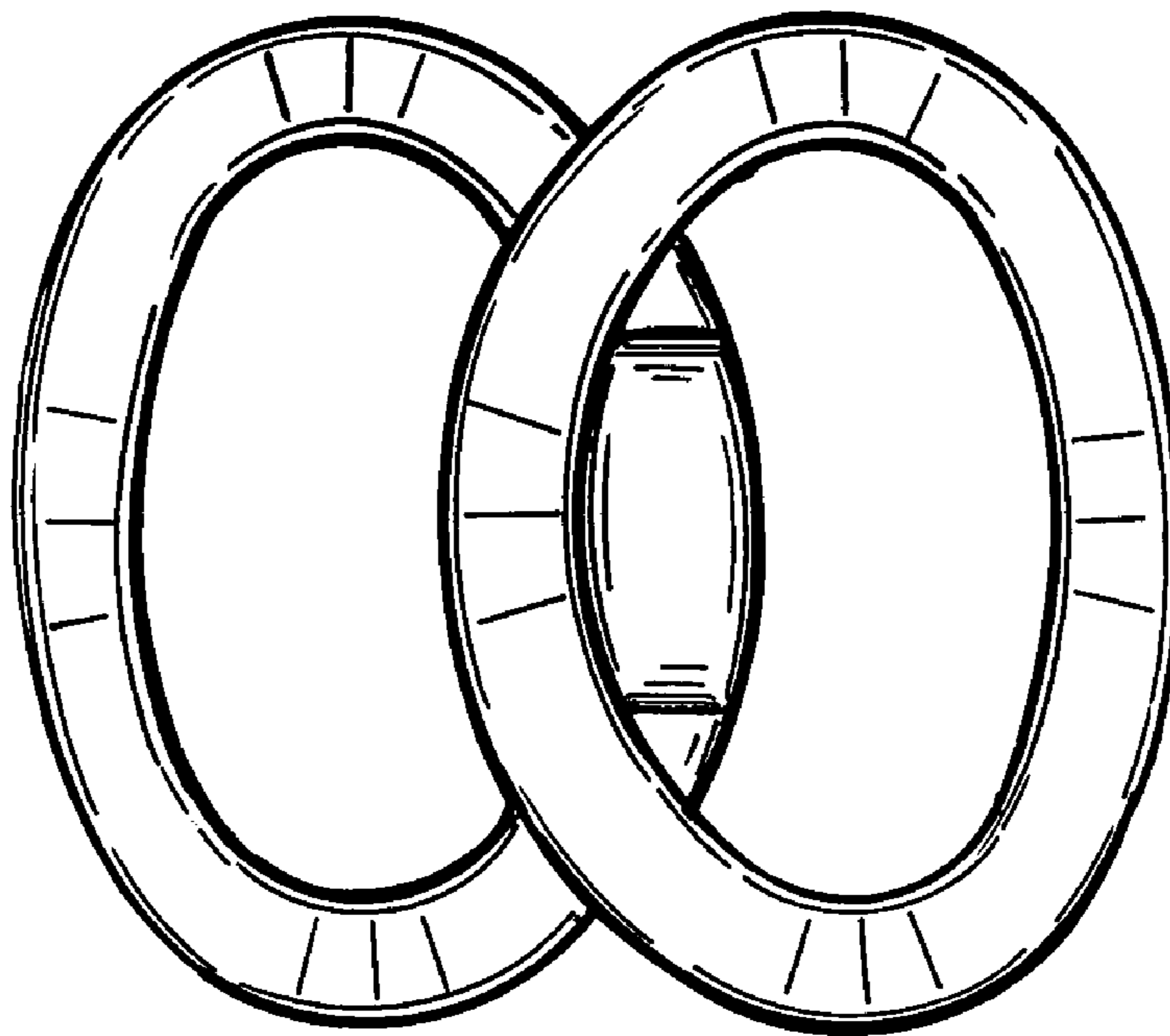
- D109,332 S \* 4/1938 Mix ..... D11/231
- 2,485,571 A \* 10/1949 Cousins ..... 450/46
- D250,299 S \* 11/1978 Rowell ..... D11/208
- D269,824 S \* 7/1983 Kanzaka ..... D11/210
- D275,906 S \* 10/1984 Di Tullio ..... D2/709
- D352,681 S \* 11/1994 Fildan ..... D11/218
- 5,380,238 A \* 1/1995 Crew-Gee ..... 450/36
- D356,525 S \* 3/1995 Fildan ..... D11/218
- D369,327 S \* 4/1996 Fildan ..... D11/210
- 5,816,889 A \* 10/1998 Fildan ..... 450/45

**1 Claim, 3 Drawing Sheets**





**FIG. 2**



**FIG. 1**

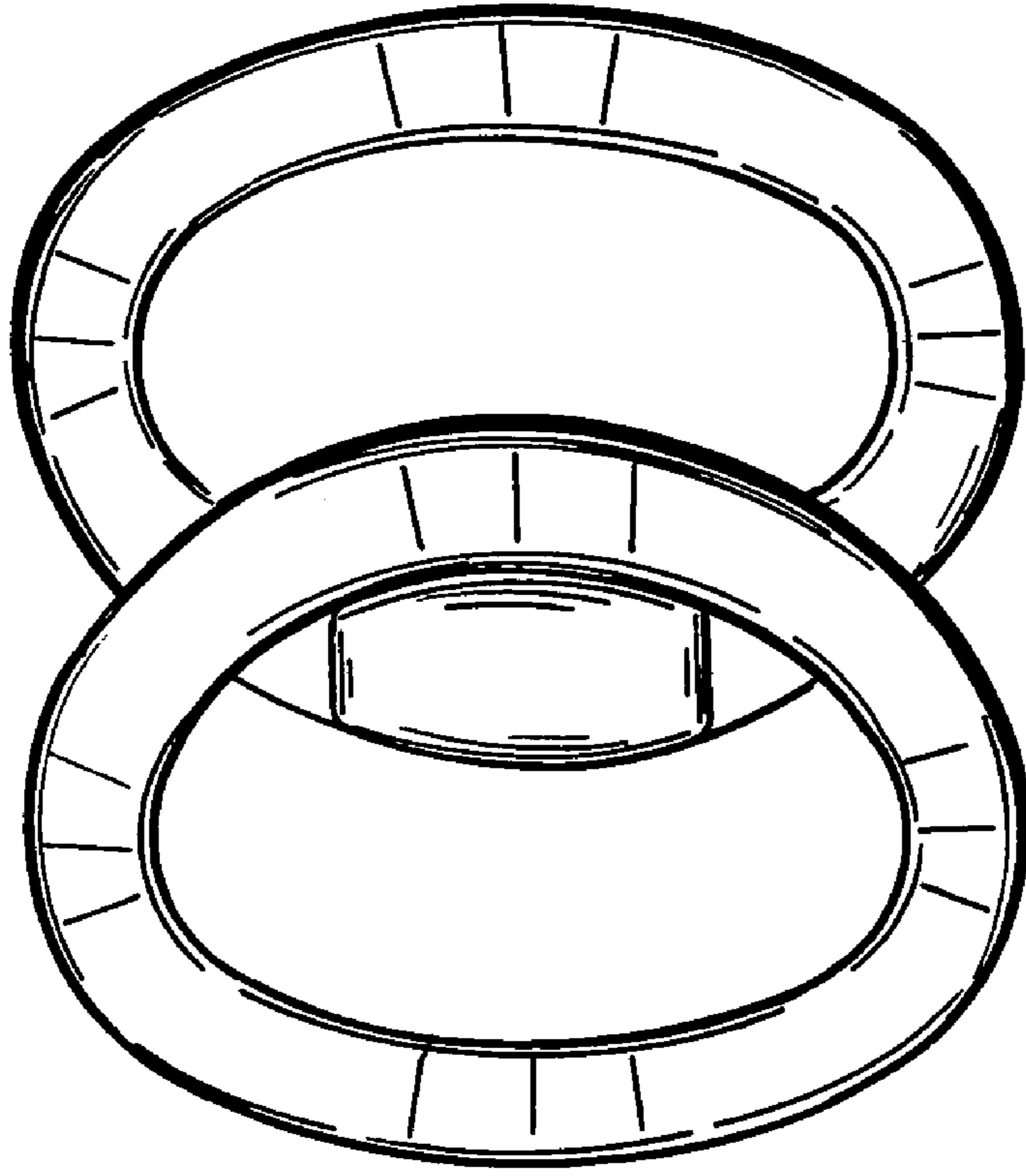


FIG. 3

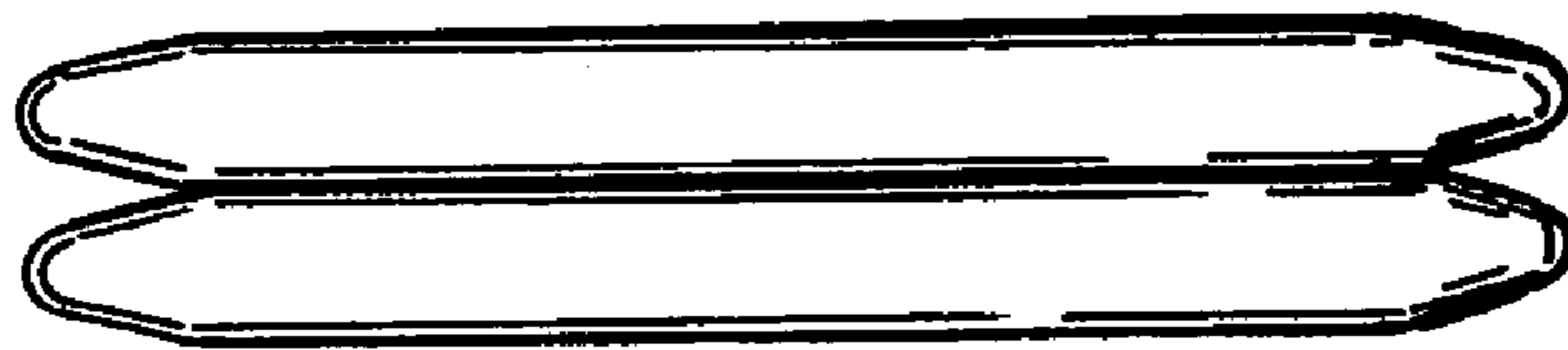


FIG. 4

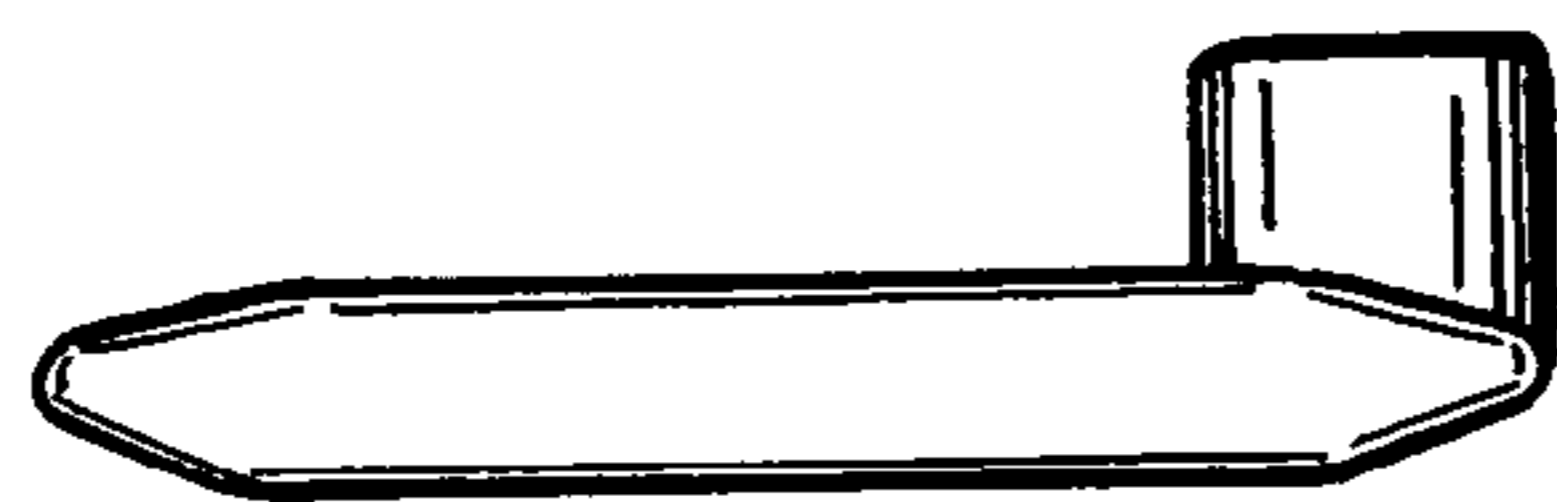


FIG. 6

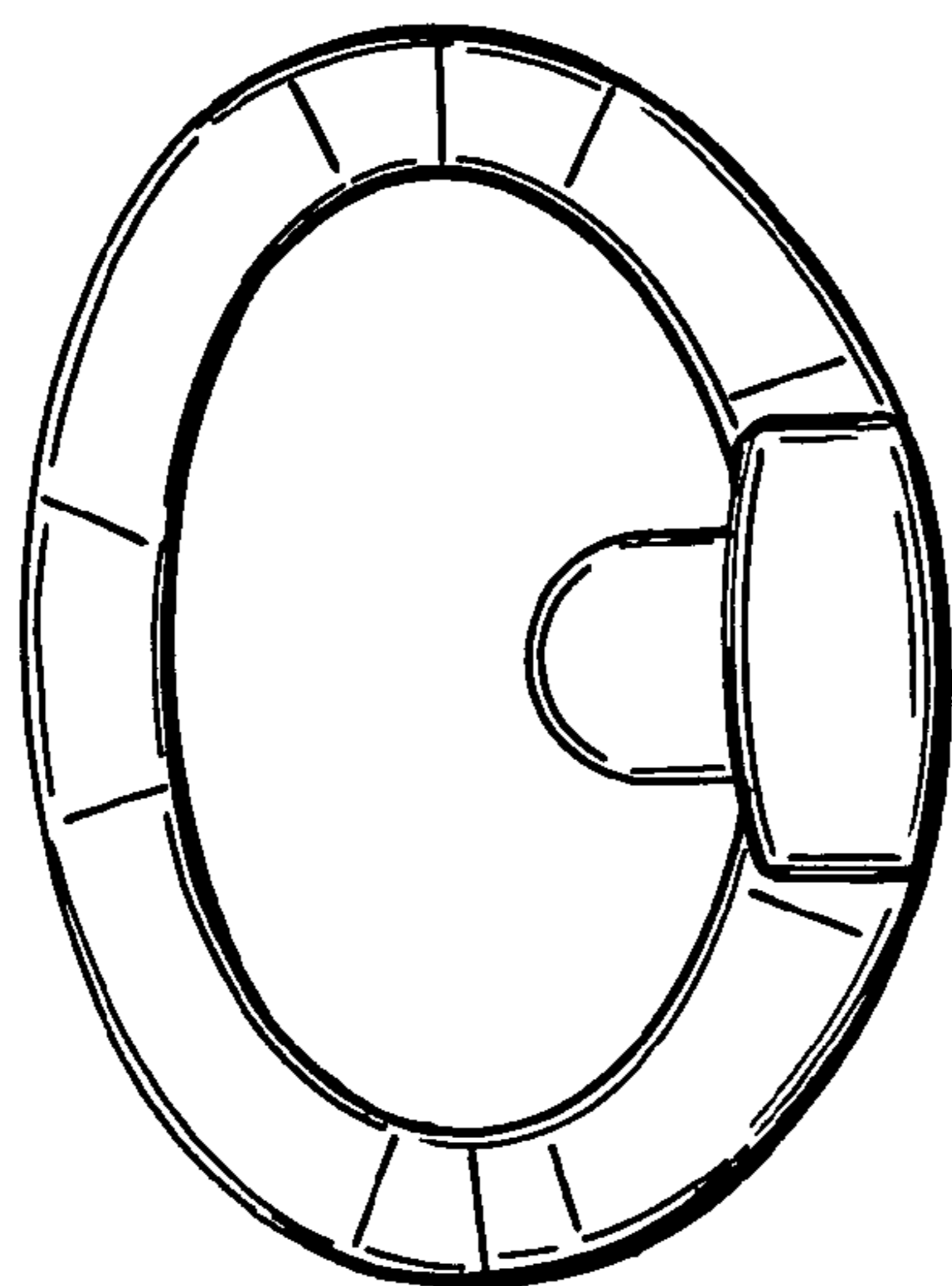


FIG. 5

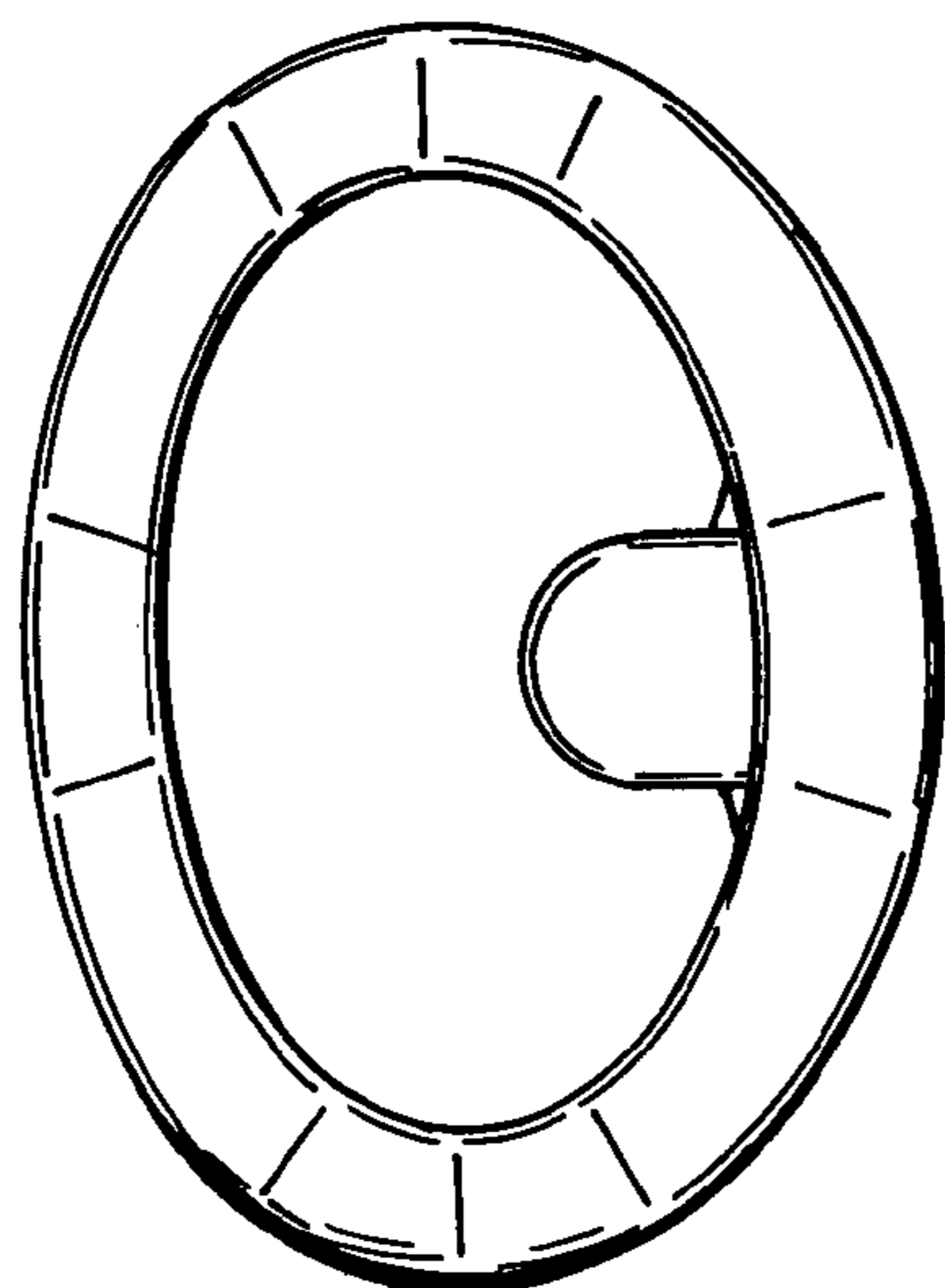


FIG. 7