



US00D561640S

(12) **United States Design Patent**
Weiser

(10) **Patent No.:** **US D561,640 S**
(45) **Date of Patent:** **** Feb. 12, 2008**

(54) **GIRAFFE NOVELTY**

(75) Inventor: **Margaret Weiser**, Tarzana, CA (US)

(73) Assignee: **Exhart Environmental Systems, Inc.**,
Chatsworth, CA (US)

(**) Term: **14 Years**

(21) Appl. No.: **29/258,621**

(22) Filed: **Apr. 25, 2006**

Related U.S. Application Data

(63) Continuation-in-part of application No. 29/221,784,
filed on Jan. 19, 2005, now abandoned, which is a
continuation of application No. 29/187,900, filed on
Aug. 8, 2003, now abandoned.

(51) **LOC (8) Cl.** **11-02**

(52) **U.S. Cl.** **D11/158**

(58) **Field of Classification Search** D11/157,
D11/158, 160, 163, 164, 127, 141; D21/455,
D21/458, 576-661; 428/12, 16, 548.2, 542.4;
446/217, 218, 233-236, 268-395

See application file for complete search history.

(56) **References Cited**

U.S. PATENT DOCUMENTS

1,263,838 A	4/1918	Barber
1,377,544 A	5/1921	Angell
1,538,562 A	5/1925	Koshalko
1,910,923 A	5/1933	Kerr
1,911,723 A	5/1933	Sparlow
2,421,279 A	5/1947	Marty
2,455,430 A	12/1948	Luckhaupt
D159,796 S	8/1950	Ganine
3,190,035 A	6/1965	Armstrong
D241,461 S	9/1976	Lambert
D257,364 S	10/1980	Molenaar

4,582,497 A	4/1986	Lyons	
D316,433 S *	4/1991	Stephensen et al. D21/619
5,469,738 A	11/1995	Hendrickson	
D388,479 S *	12/1997	Allegre D21/619
5,971,828 A	10/1999	Lin	
D434,236 S *	11/2000	Addleman D6/359
6,206,747 B1	3/2001	Skwarek	
6,360,474 B1	3/2002	Wurlitzer	
6,364,732 B1	4/2002	Wu	
6,422,913 B1	7/2002	Trejo	
6,475,056 B1	11/2002	Christianson	
D467,982 S	12/2002	Watson	
D509,709 S *	9/2005	Tranfaglia et al. D7/656
D520,572 S *	5/2006	Balough D21/415
D544,049 S *	6/2007	Oren et al. D21/619

* cited by examiner

Primary Examiner—Robert M. Spear

Assistant Examiner—George D Kirschbaum

(74) *Attorney, Agent, or Firm*—Cislo & Thomas, LLP

(57) **CLAIM**

The ornamental design for a giraffe novelty, as shown and described.

DESCRIPTION

FIG. 1. Is a left side elevational view of my giraffe novelty with right side elevational view being a mirror image thereof;

FIG. 2. Is a front view thereof;

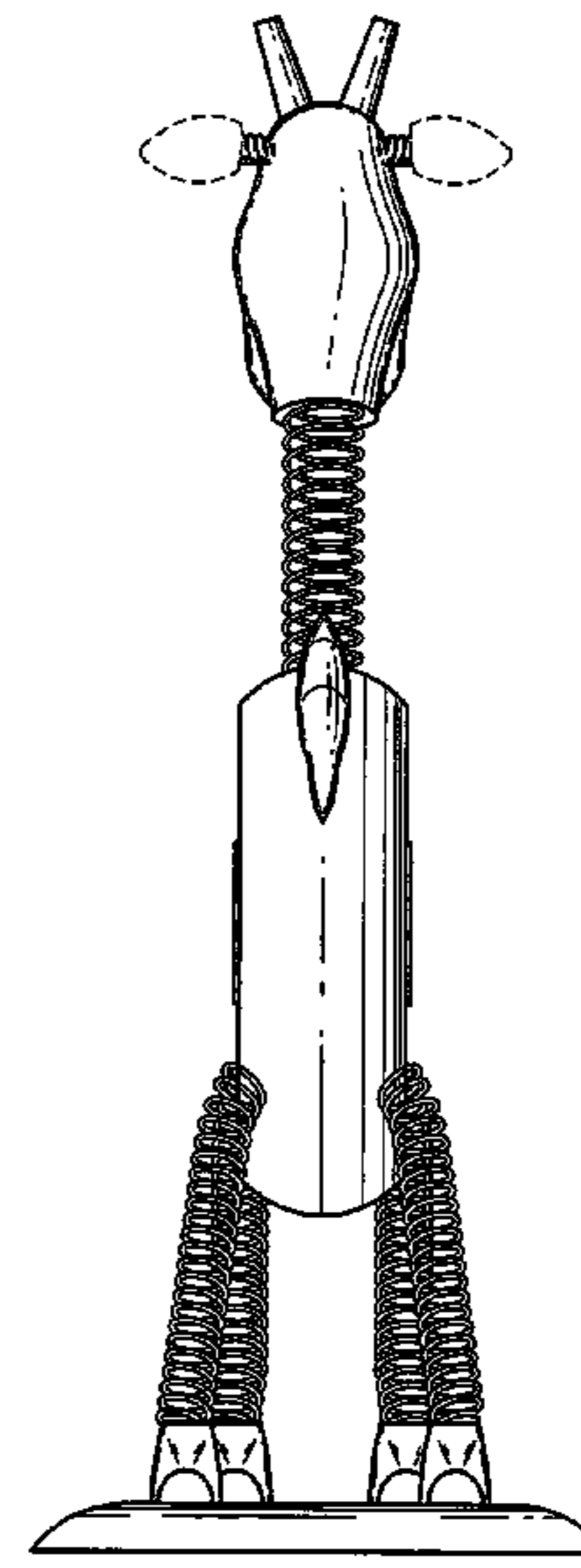
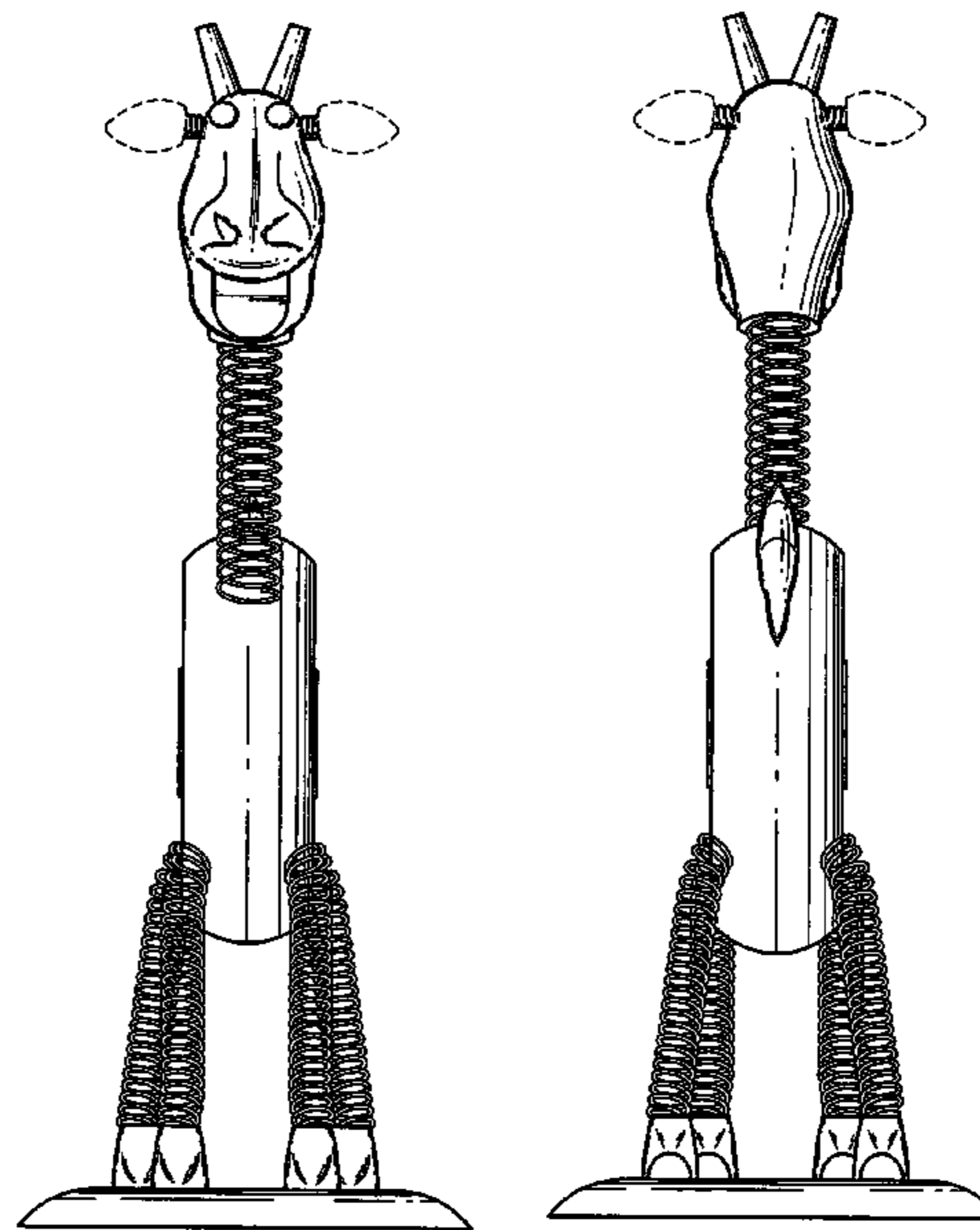
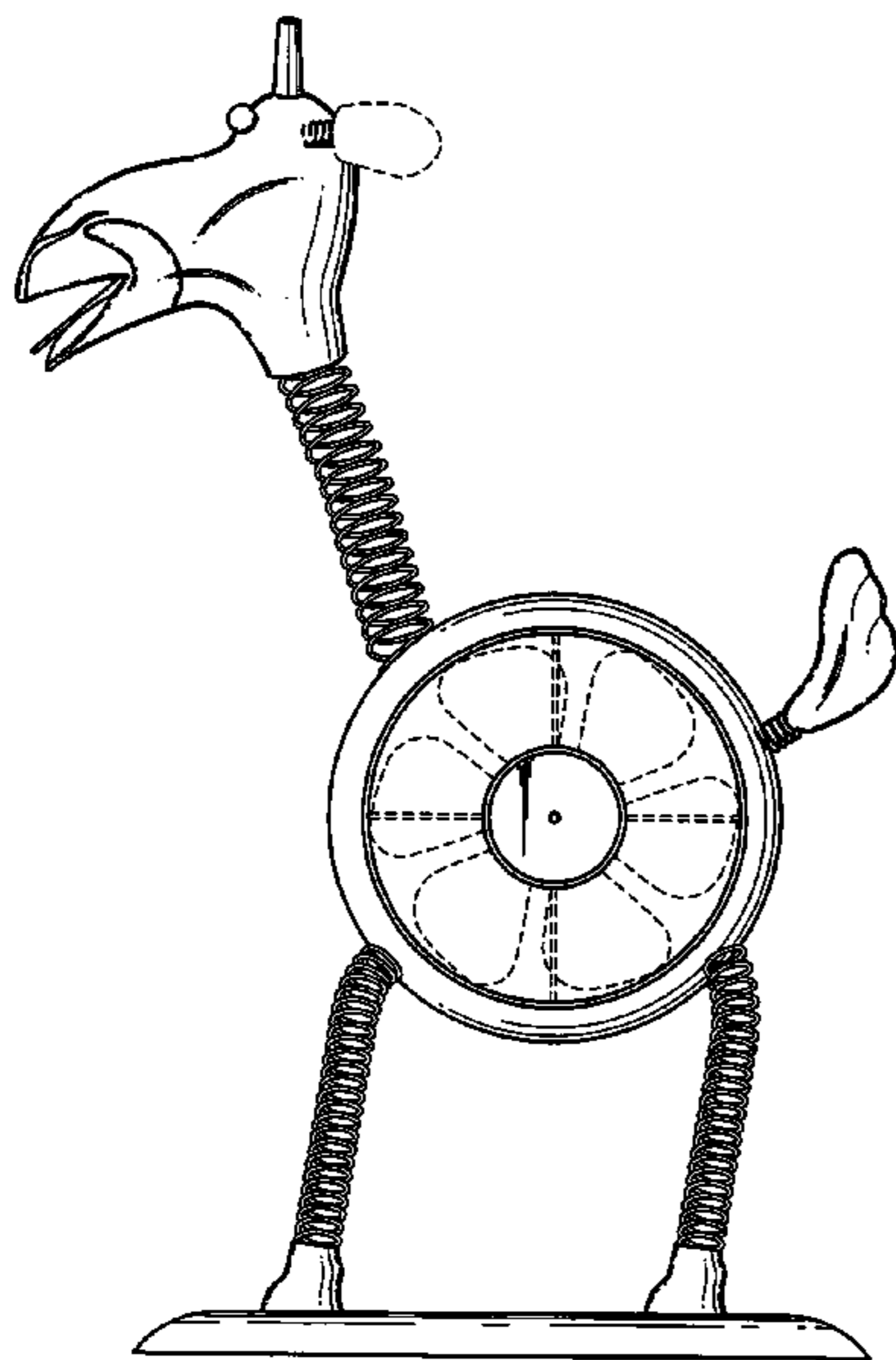
FIG. 3. Is a rear view thereof;

FIG. 4. Is a top view thereof; and,

FIG. 5. Is a bottom view thereof.

In the drawings, the broken line showing of ears and tail parts depicts environmental subject matter and form no part of the claim.

1 Claim, 4 Drawing Sheets



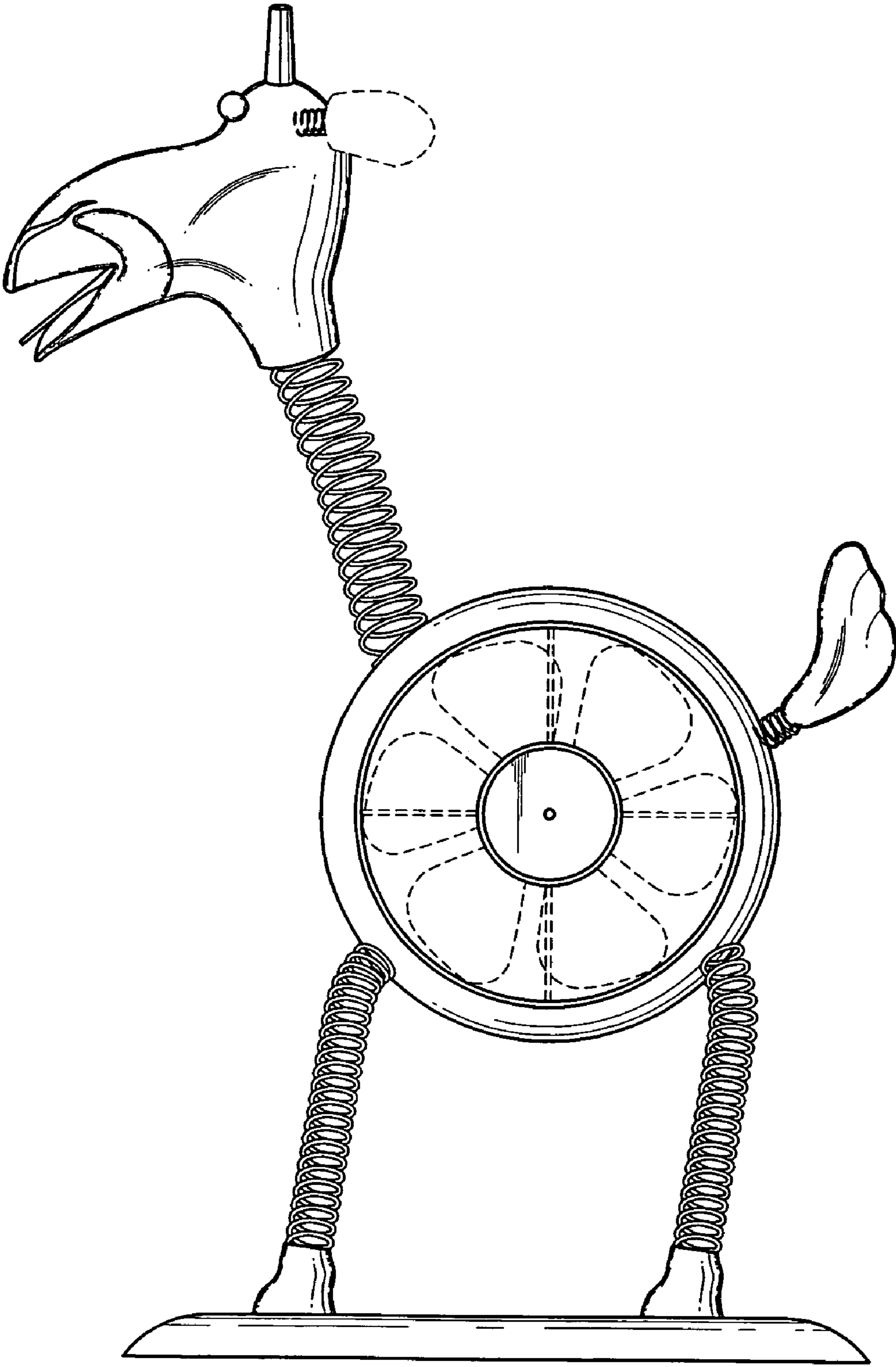


FIG. 1

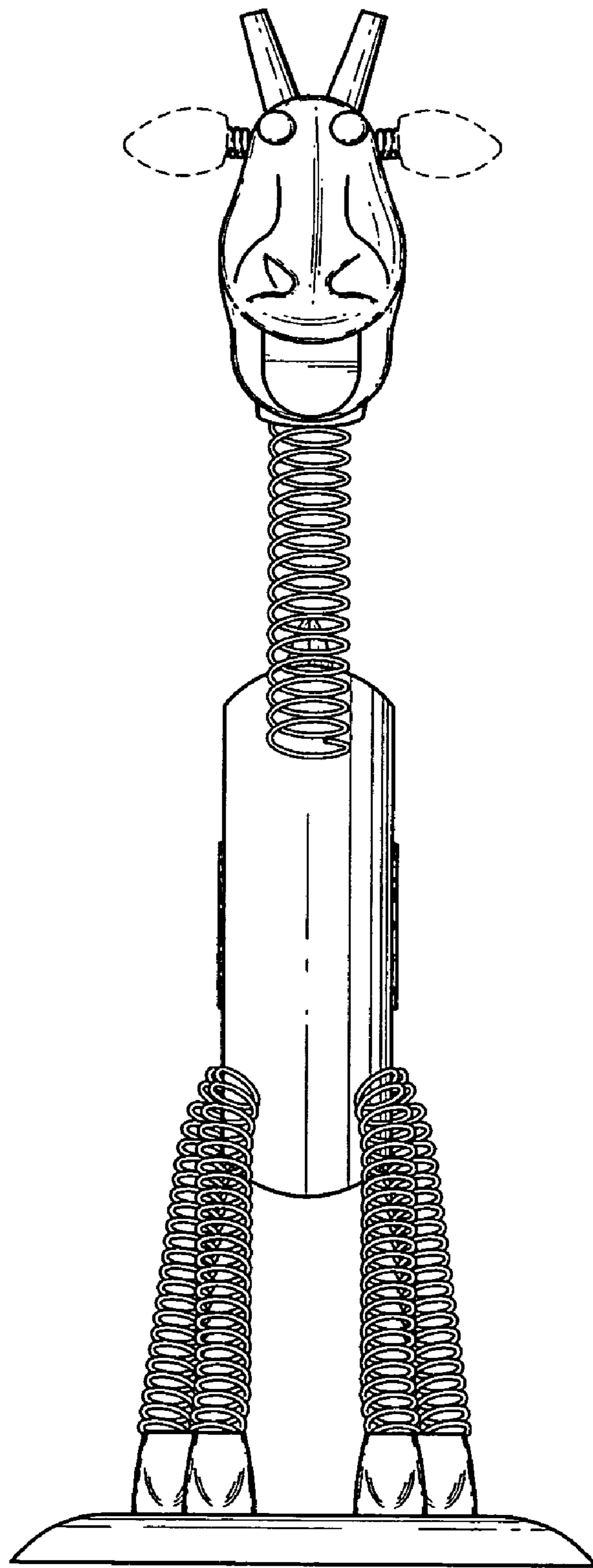


FIG. 2

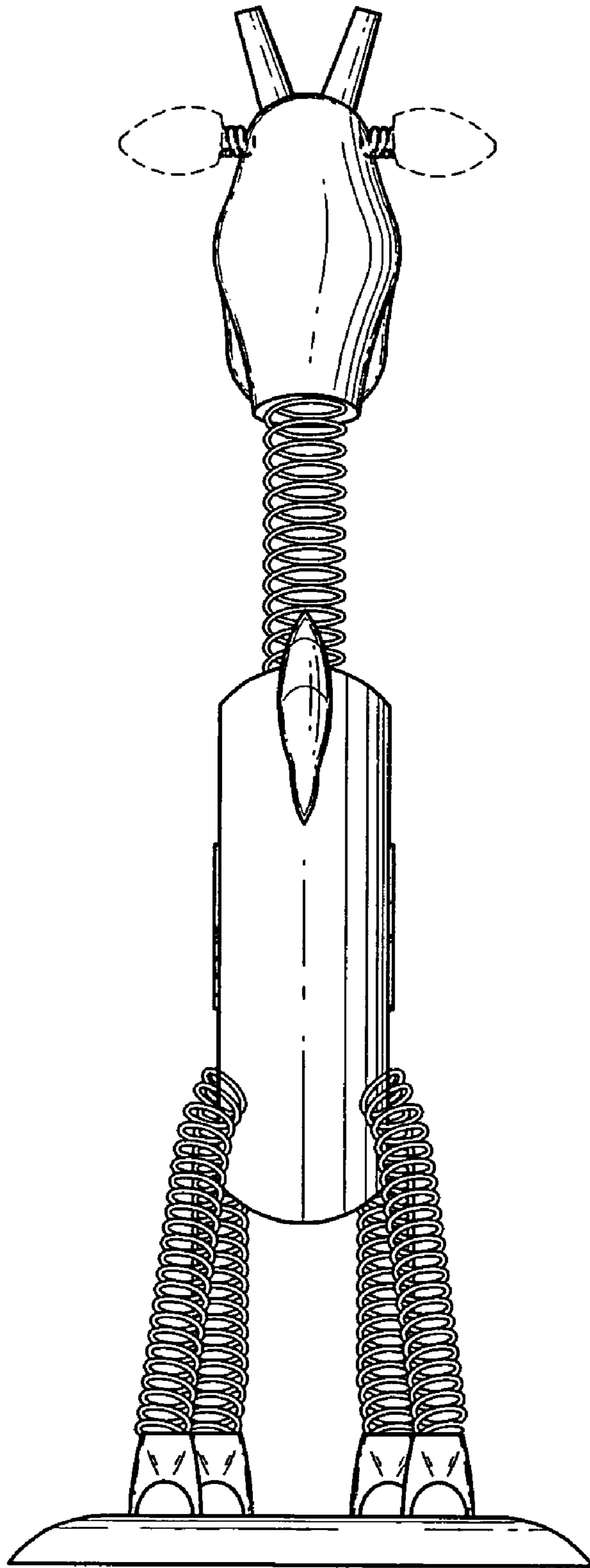


FIG. 3

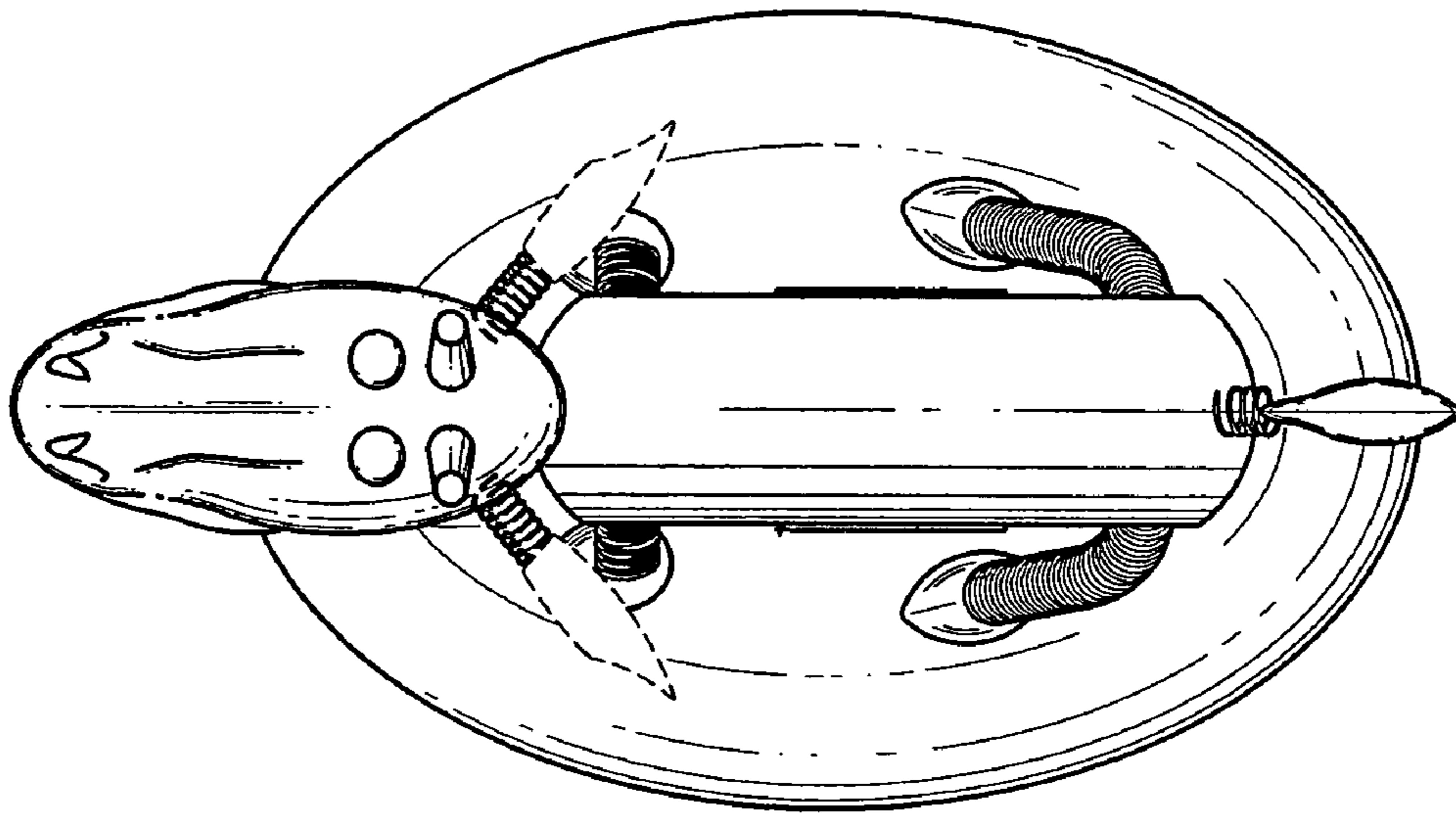


FIG. 4

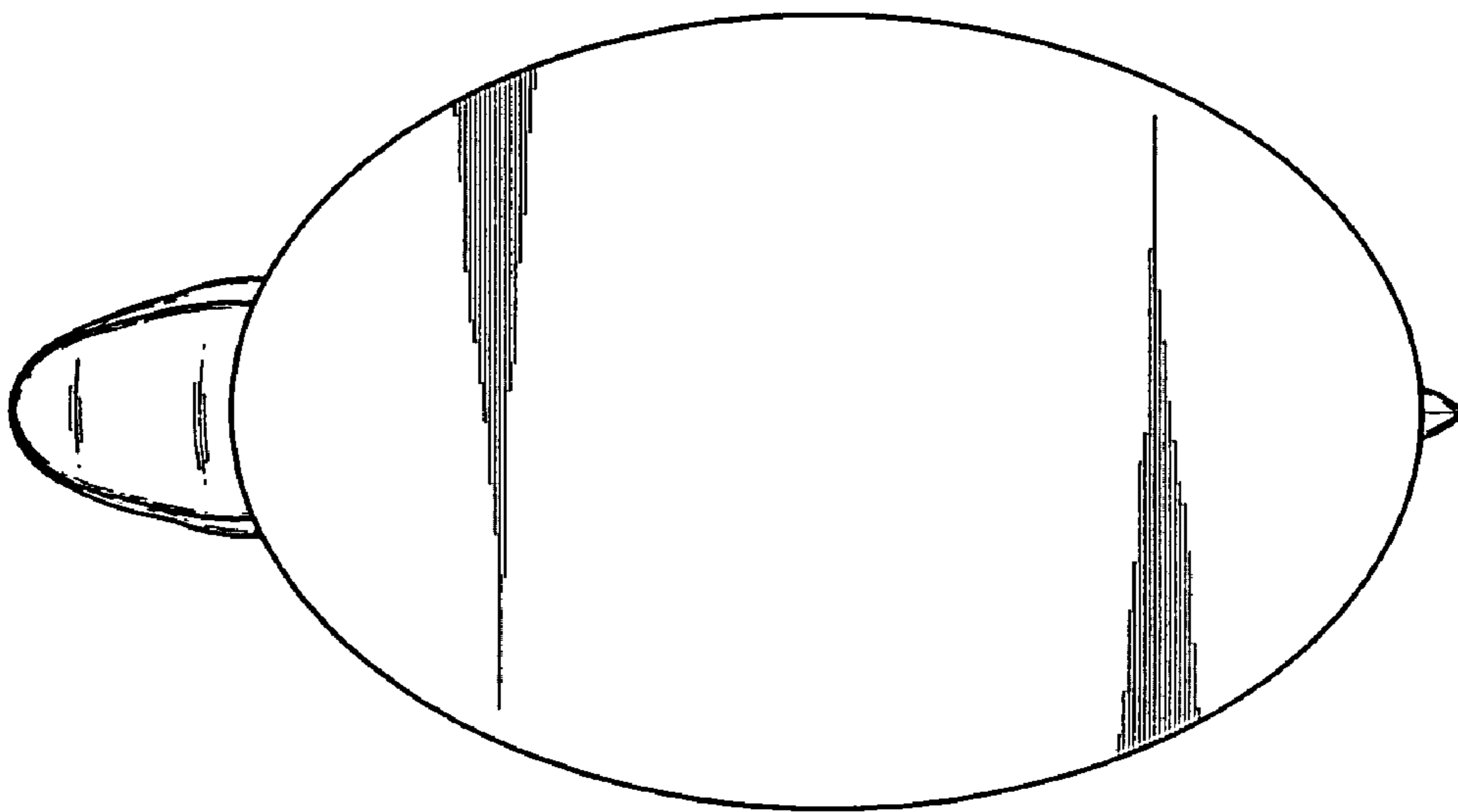


FIG. 5