



US00D561639S

(12) **United States Design Patent**
Weiser

(10) **Patent No.:** **US D561,639 S**
(45) **Date of Patent:** **** Feb. 12, 2008**

(54) **DOG NOVELTY**

(75) Inventor: **Margaret Weiser**, Tarzana, CA (US)

(73) Assignee: **Exhart Environmental Systems, Inc.**,
Chatsworth, CA (US)

(**) Term: **14 Years**

(21) Appl. No.: **29/257,427**

(22) Filed: **Apr. 3, 2006**

Related U.S. Application Data

(63) Continuation-in-part of application No. 29/221,737,
filed on Jan. 19, 2005, now abandoned, which is a
continuation of application No. 29/188,708, filed on
Aug. 21, 2003, now abandoned.

(51) **LOC (8) Cl.** **11-02**

(52) **U.S. Cl.** **D11/158**

(58) **Field of Classification Search** D11/157,
D11/158, 160, 163, 164, 127, 141; D21/455,
D21/458, 576-661; 428/12, 16, 548.2, 542.4;
446/217, 218, 233-236, 268-395

See application file for complete search history.

(56) **References Cited**

U.S. PATENT DOCUMENTS

1,263,838 A	4/1918	Barber	
1,377,544 A	5/1921	Angell	
1,538,562 A	5/1925	Koshalko	
D86,875 S	5/1932	Abel	
1,910,923 A	5/1933	Kerr	
2,817,925 A	12/1957	Kelley	
3,190,035 A	6/1965	Armstrong	
D237,519 S *	11/1975	Ptaszek	D21/428
D241,461 S	9/1976	Lambert	
D257,364 S	10/1980	Molenaar	
4,582,497 A	4/1986	Lyons	
5,469,738 A	11/1995	Hendrickson	

D382,029 S	8/1997	Hong Cheng	
5,971,828 A	10/1999	Lin	
D437,898 S *	2/2001	Phillipson	D21/611
6,206,747 B1	3/2001	Skwarek	
D445,849 S *	7/2001	Saito	D21/611
6,360,474 B1	3/2002	Wurlitzer	
6,364,732 B1	4/2002	Wu	
D457,203 S *	5/2002	Onishi et al.	D21/578
6,422,913 B1	7/2002	Trejo	
6,475,056 B1	11/2002	Christianson	
D467,688 S *	12/2002	Yamazaki	D30/160
D467,982 S	12/2002	Watson	
D501,518 S *	2/2005	Meiry	D21/611
D539,470 S *	3/2007	Chen	D27/149
D543,487 S *	5/2007	Warner	D11/158

* cited by examiner

Primary Examiner—Robert M. Spear

Assistant Examiner—George D Kirschbaum

(74) *Attorney, Agent, or Firm*—Cislo & Thomas, LLP

(57) **CLAIM**

The ornamental design for a dog novelty, as shown and described.

DESCRIPTION

FIG. 1 is a left side elevational view of a dog novelty, with the right side elevational view being a mirror image thereof, in accordance with the present invention.

FIG. 2 is a front view thereof;

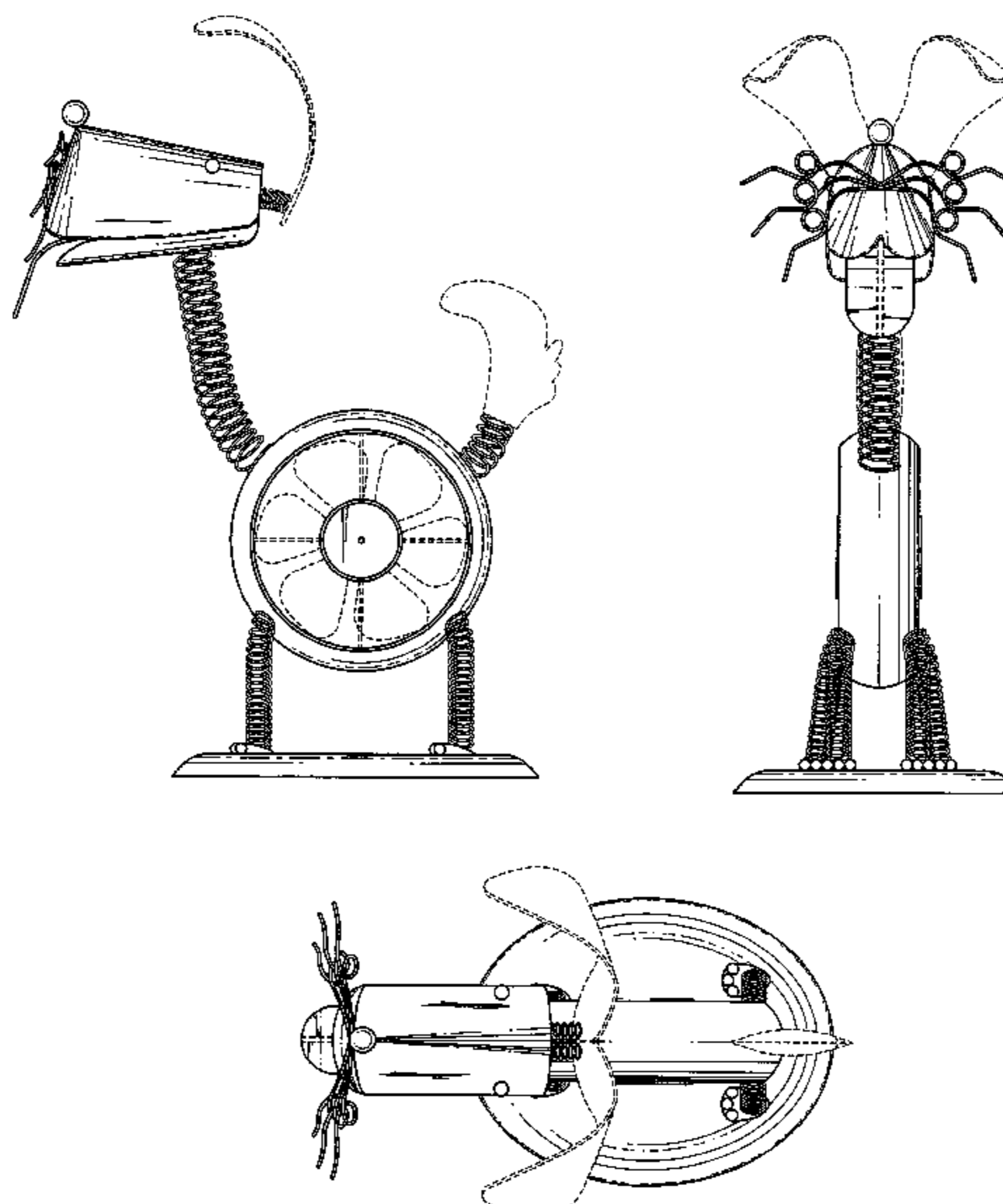
FIG. 3 is a rear view thereof;

FIG. 4 is a top view thereof; and,

FIG. 5 is a bottom view thereof.

In the drawings, the broken line showing of ears and tail parts depicts environmental subject matter and form no part of the claim.

1 Claim, 4 Drawing Sheets



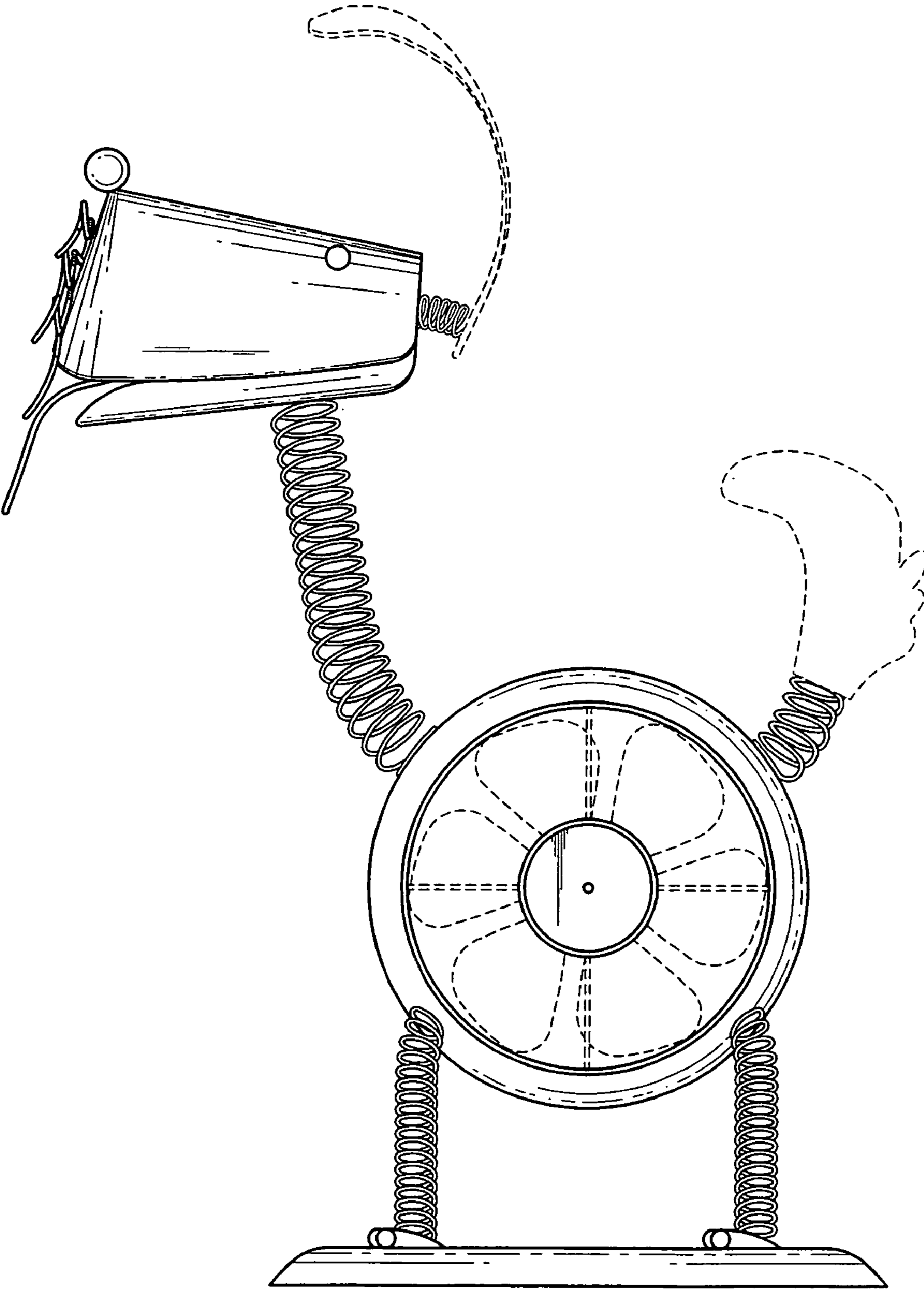


FIG. 1

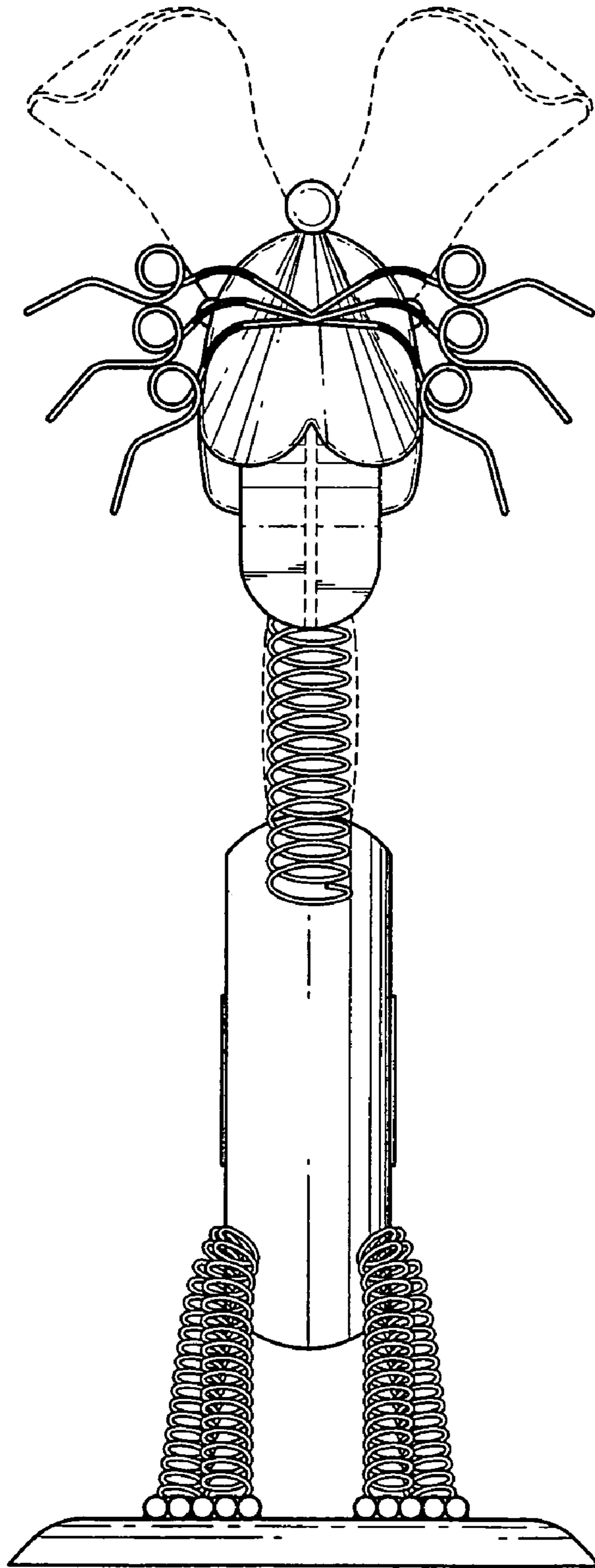


FIG. 2

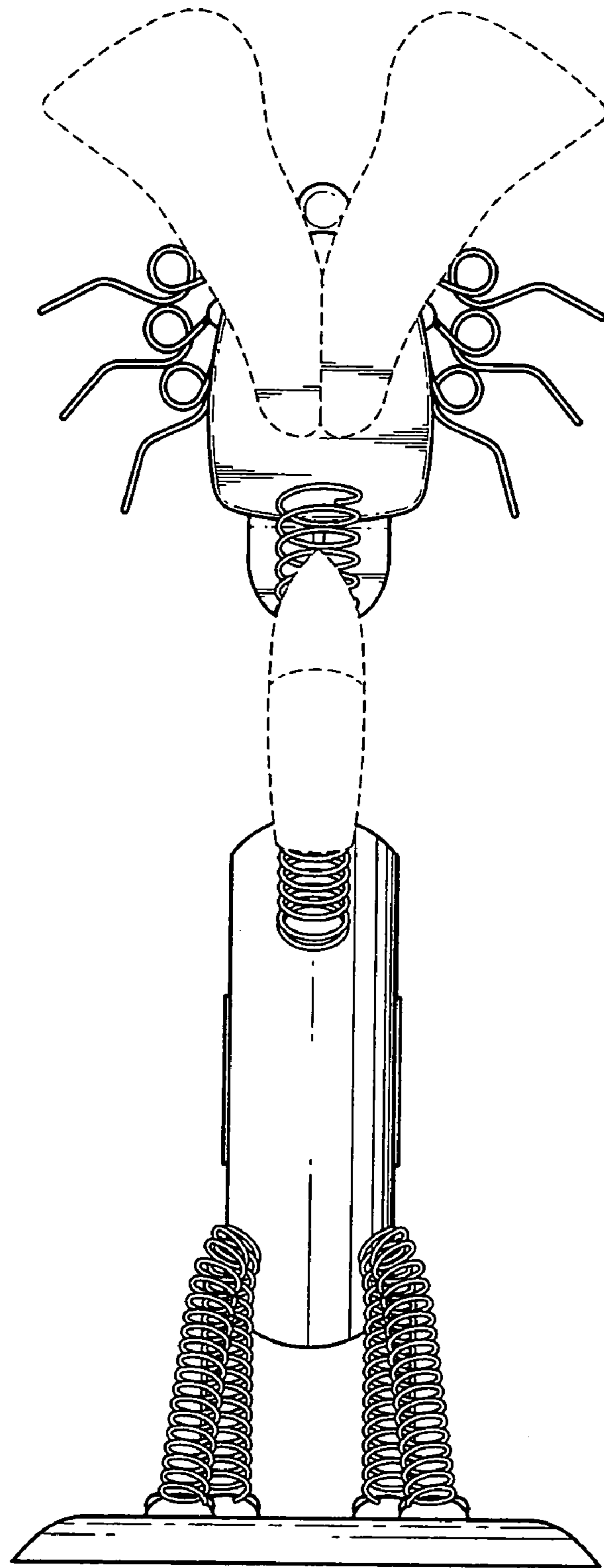


FIG. 3

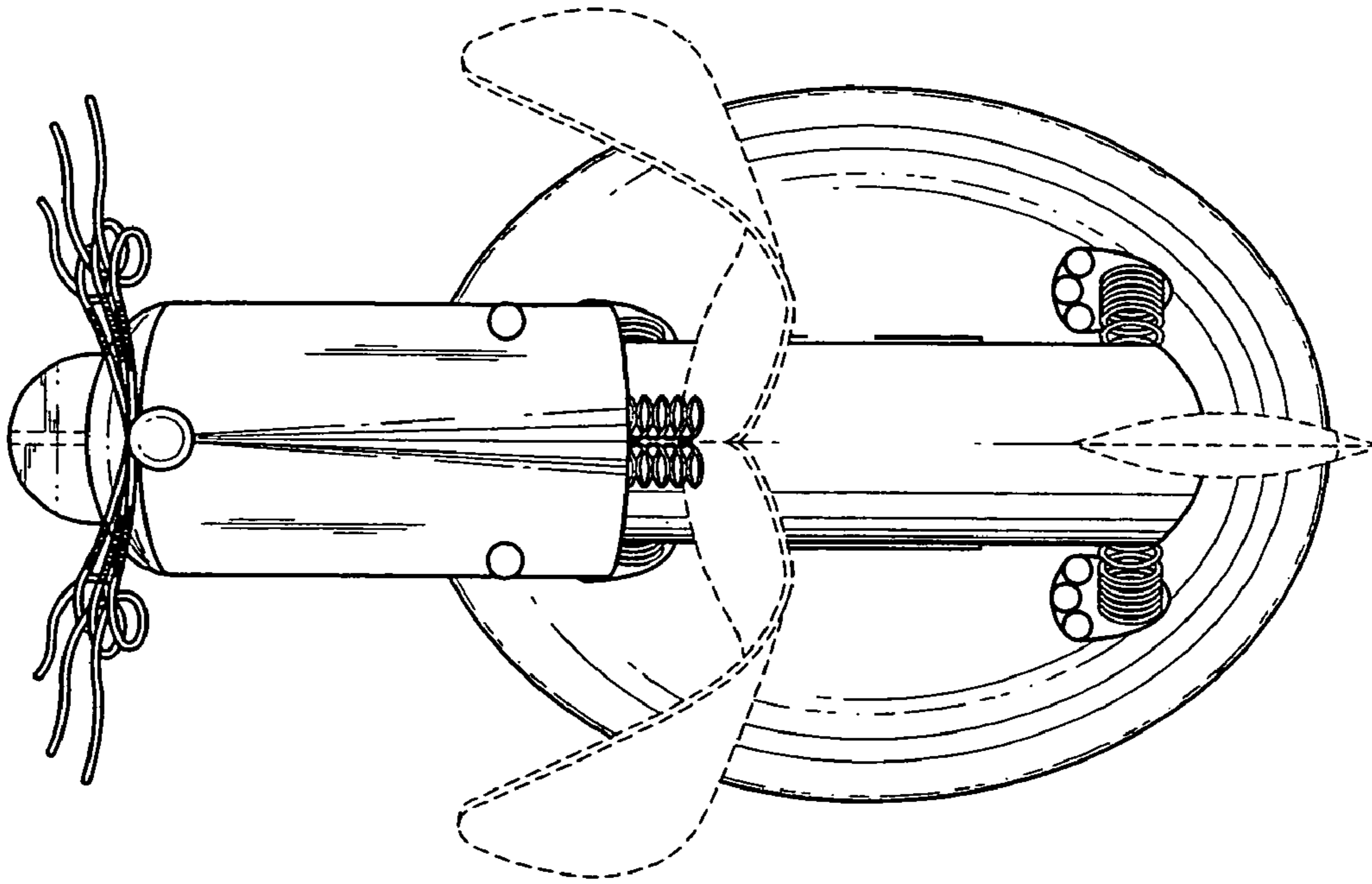


FIG. 4

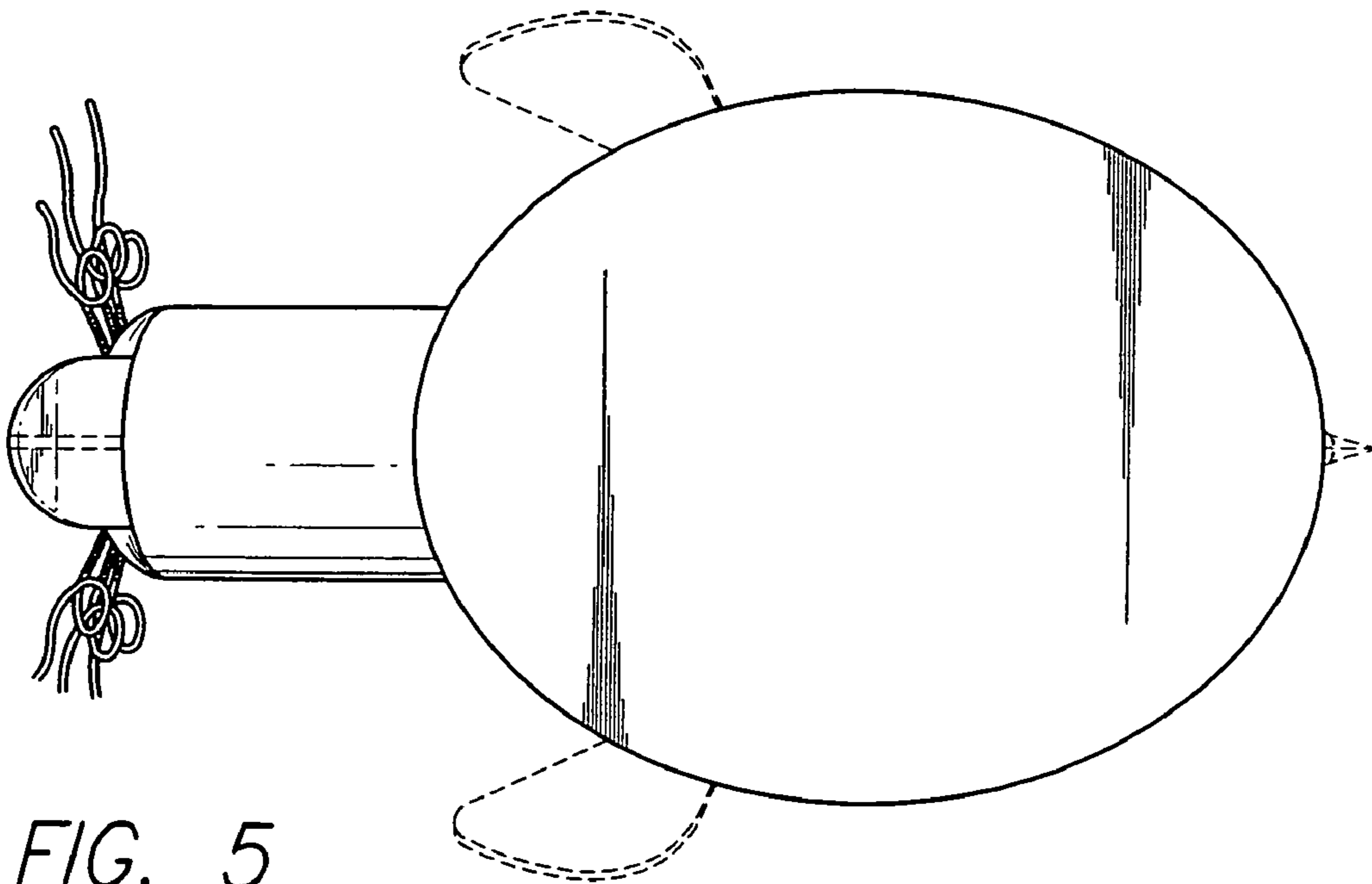


FIG. 5