



US00D561636S

(12) **United States Design Patent**  
**Khubani**

(10) **Patent No.:** **US D561,636 S**

(45) **Date of Patent:** **\*\* Feb. 12, 2008**

(54) **JEWELRY CLASP**

(75) Inventor: **Anand Khubani**, Towaco, NJ (US)

(73) Assignee: **Ideavillage Products Corp.**, Fairfield, NJ (US)

(\*\*) Term: **14 Years**

(21) Appl. No.: **29/268,555**

(22) Filed: **Nov. 8, 2006**

(51) **LOC (8) Cl.** ..... **11-01**

(52) **U.S. Cl.** ..... **D11/87**

(58) **Field of Classification Search** ..... D11/200–201,  
D11/206–210, 214–216, 218; 24/163 R,  
24/303, 169–171, 173, 177–179, 191, 194,  
24/195, 200, 197

See application file for complete search history.

(56) **References Cited**

U.S. PATENT DOCUMENTS

2,637,887 A	5/1953	Goodman et al.	
2,648,884 A	8/1953	Loofboro	
3,041,697 A *	7/1962	Budreck .....	24/303
3,129,477 A	4/1964	Mizuno	
3,141,214 A *	7/1964	Bey .....	24/303
3,621,690 A	11/1971	Whitcomb	
3,765,064 A *	10/1973	Hooper et al. ....	24/658
4,231,137 A	11/1980	Fujimoto	
4,901,405 A *	2/1990	Grover et al. ....	24/303
5,008,984 A *	4/1991	Levy .....	24/303
5,099,659 A	3/1992	Carranza et al.	
5,197,168 A	3/1993	Levy	

5,317,789 A *	6/1994	Levy .....	24/303
5,349,725 A	9/1994	Levy	
D405,352 S *	2/1999	Rosenbauer .....	D8/382
6,741,150 B2 *	5/2004	Holmes et al. ....	335/207
D514,474 S *	2/2006	Neri .....	D11/200
2002/0116794 A1 *	8/2002	Hoffman .....	24/303
2004/0244419 A1 *	12/2004	Suzuki .....	63/3.1

\* cited by examiner

*Primary Examiner*—Ralf Seifert

(74) *Attorney, Agent, or Firm*—Robert L. Epstein; Epstein Drangel Bazerman & James, LLP

(57) **CLAIM**

The ornamental design for a jewelry clasp, substantially as shown and described.

**DESCRIPTION**

FIG. 1 is an environmental view showing the clasp as it would appear on the wrist of a wearer;

FIG. 2 is an isometric view showing the side of my invention;

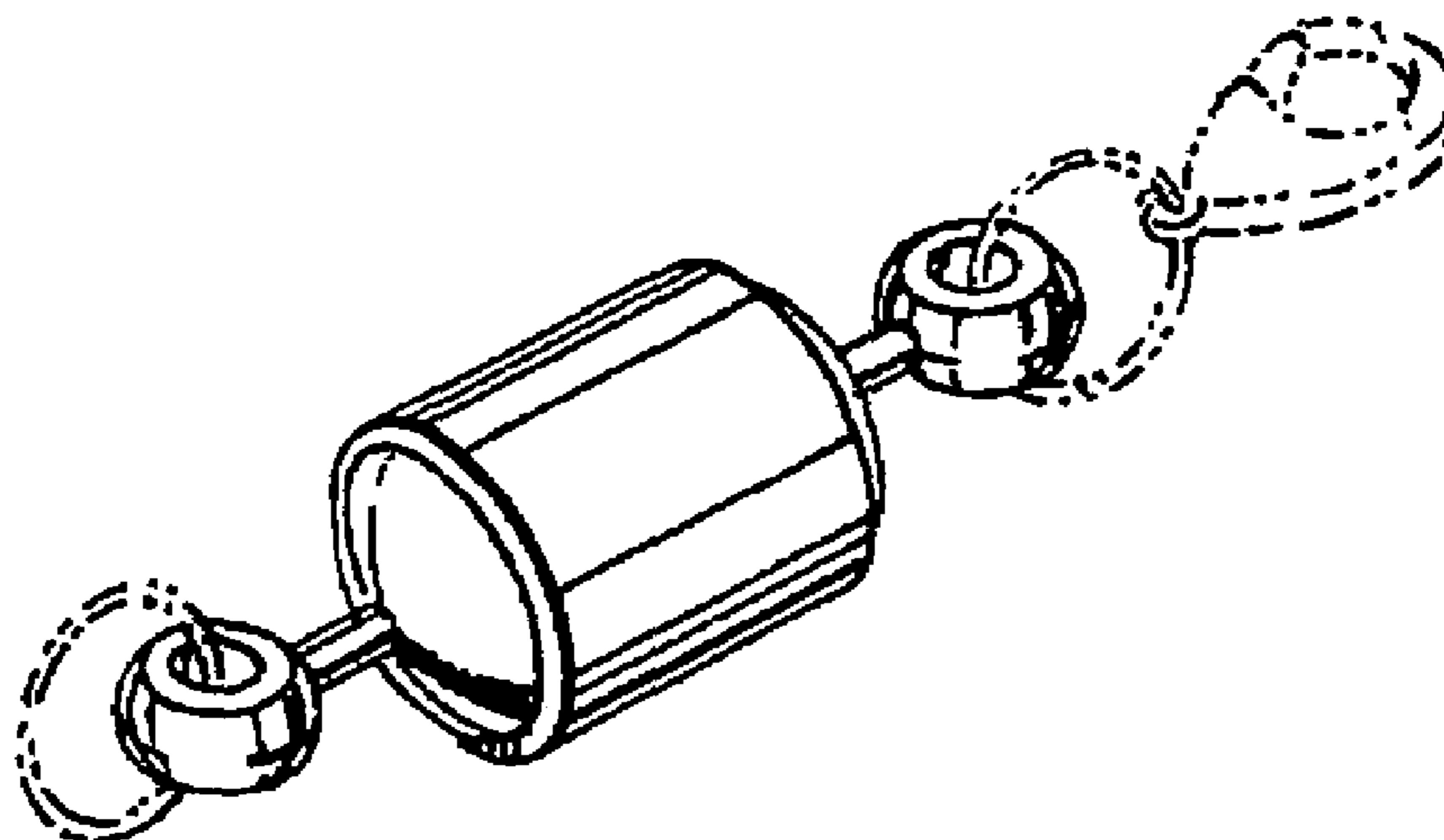
FIG. 3 is an elevation view of the top of my invention;

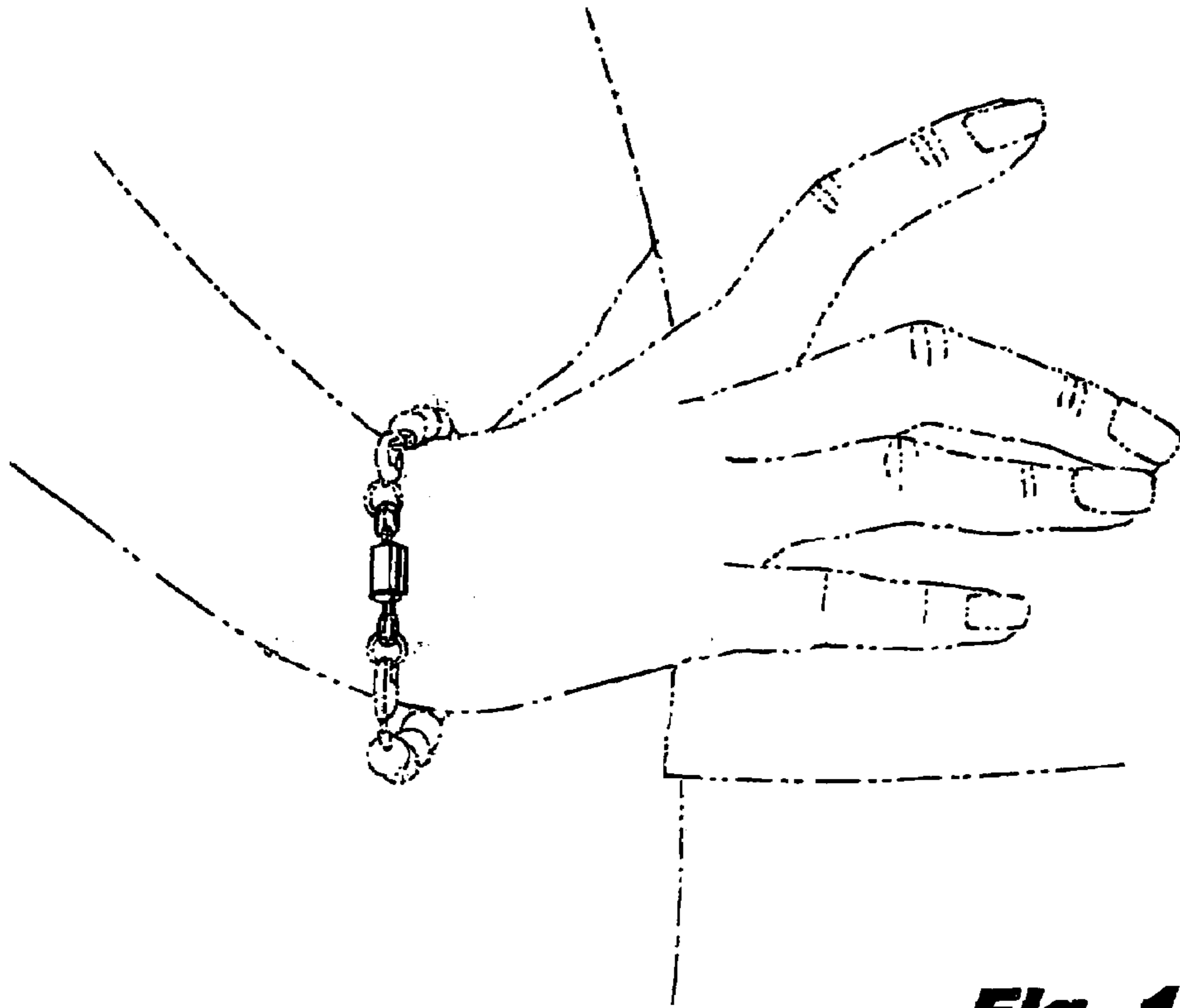
FIG. 4 is an elevation view of the side of my invention; and,

FIG. 5 is an elevation view showing one end of my invention, the other end being the mirror image.

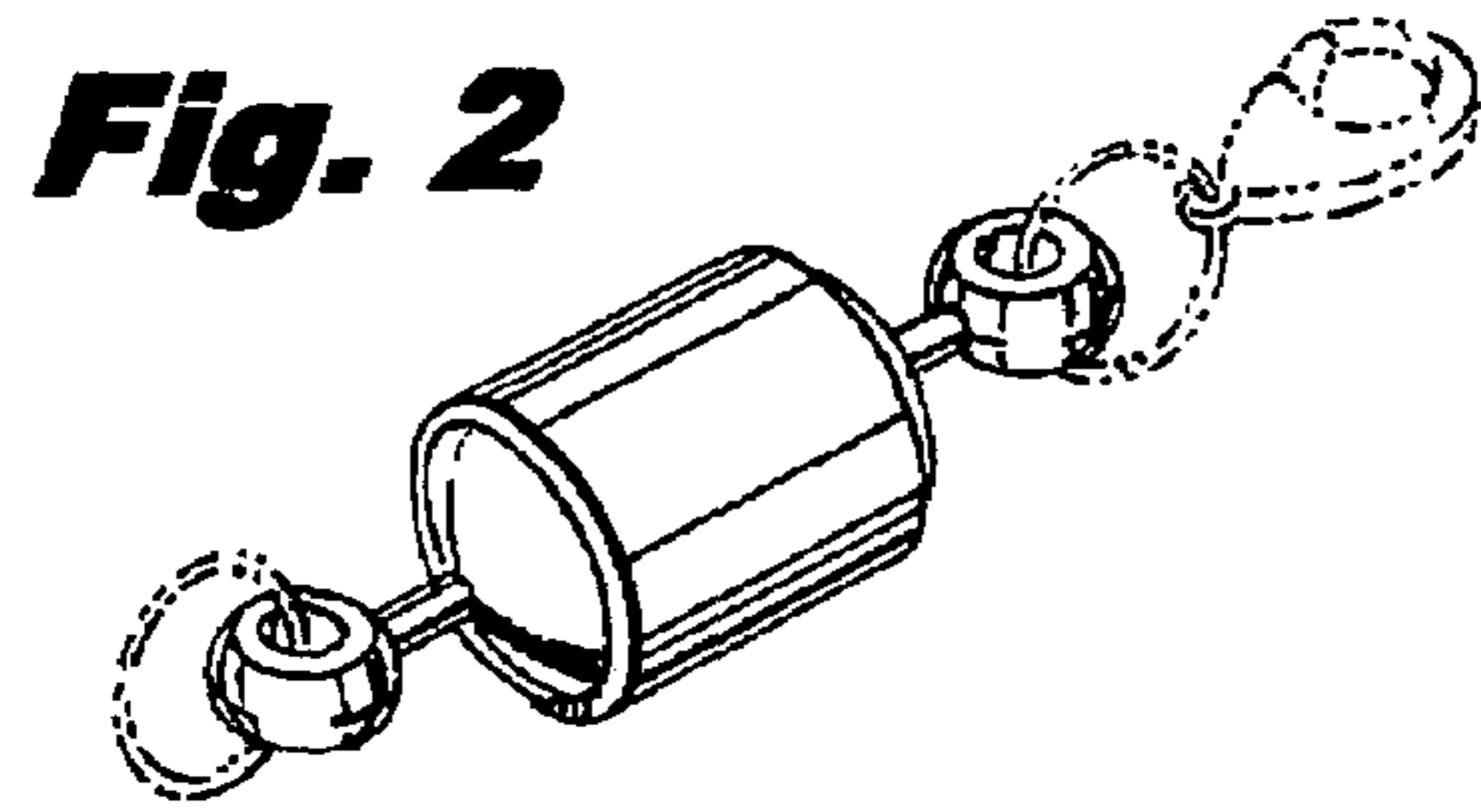
It being understood that the broken lines are for exemplary illustrative purposes only and form no part of the claimed design.

**1 Claim, 1 Drawing Sheet**



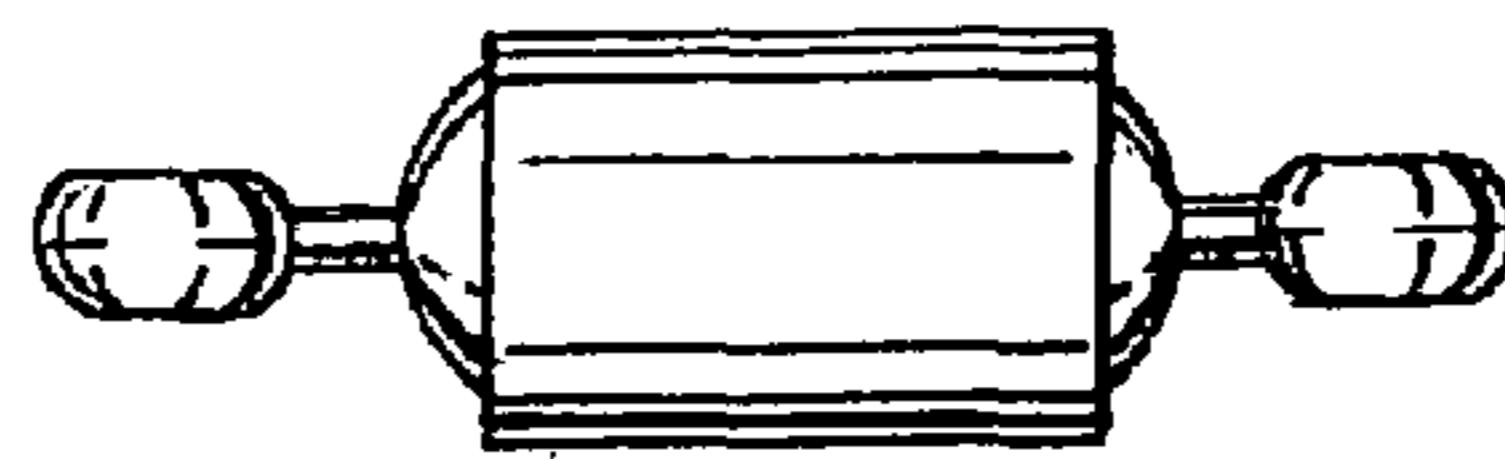


**Fig. 1**

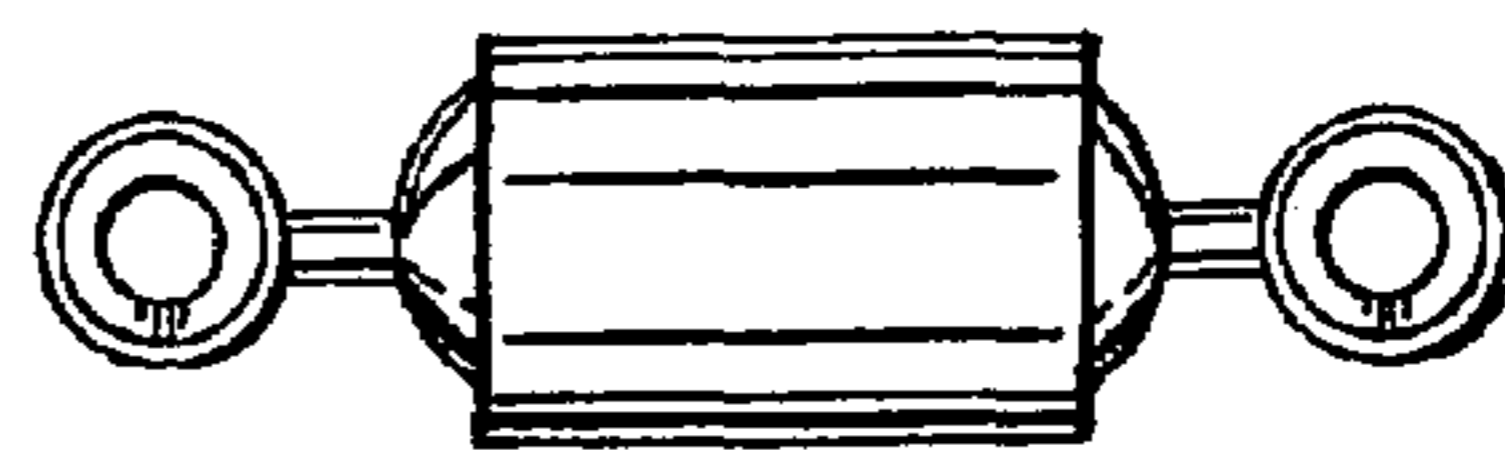


**Fig. 2**

**Fig. 3**



**Fig. 4**



**Fig. 5**