

US00D561630S

(12) **United States Design Patent**
Bandringa et al.

(10) **Patent No.:** **US D561,630 S**

(45) **Date of Patent:** **** Feb. 12, 2008**

(54) **LOW VOLTAGE OCCUPANCY SENSOR**

(75) Inventors: **John Bandringa**, Everett, WA (US);
Nehal Shah, Westbury, NY (US);
Danilo F. Estanislao, Old Bridge, NJ
(US); **Edward Uftring**, Syosset, NY
(US)

(73) Assignee: **Leviton Manufacturing Co., Inc.**,
Little Neck, NY (US)

(**) Term: **14 Years**

(21) Appl. No.: **29/242,778**

(22) Filed: **Nov. 15, 2005**

(51) **LOC (8) Cl.** **10-05**

(52) **U.S. Cl.** **D10/106**

(58) **Field of Classification Search** D10/104-121;
D26/38; 340/521, 540, 555, 556, 557, 565,
340/600, 628, 629, 630; 446/15, 46; 250/353,
250/370.1, 342; 323/282

See application file for complete search history.

(56) **References Cited**

U.S. PATENT DOCUMENTS

5,017,783	A *	5/1991	Mousavi	250/353
5,221,919	A	6/1993	Hermans		
5,393,256	A *	2/1995	Mitchell et al.	446/15
5,620,351	A *	4/1997	Ho	446/15
D401,175	S *	11/1998	Bender et al.	D10/104

D404,325	S *	1/1999	Bender et al.	D10/106
D404,326	S *	1/1999	Bender et al.	D10/106
D439,853	S *	4/2001	Aiello et al.	D10/104
6,222,191	B1 *	4/2001	Myron et al.	250/353
D511,705	S *	11/2005	Bandringa et al.	D10/104
2006/0138329	A1 *	6/2006	Wu et al.	250/342
2006/0194504	A1 *	8/2006	Ragonetti et al.	446/46
2006/0266949	A1 *	11/2006	Bender et al.	250/370.1
2006/0267566	A1 *	11/2006	Williams et al.	323/282

* cited by examiner

Primary Examiner—Robert M. Spear

Assistant Examiner—George D. Kirschbaum, Jr.

(74) *Attorney, Agent, or Firm*—Paul J. Sutton

(57) **CLAIM**

The ornamental design for a low voltage occupancy sensor,
as shown and described.

DESCRIPTION

FIG. 1 is a top perspective view of a low voltage occupancy
sensor;

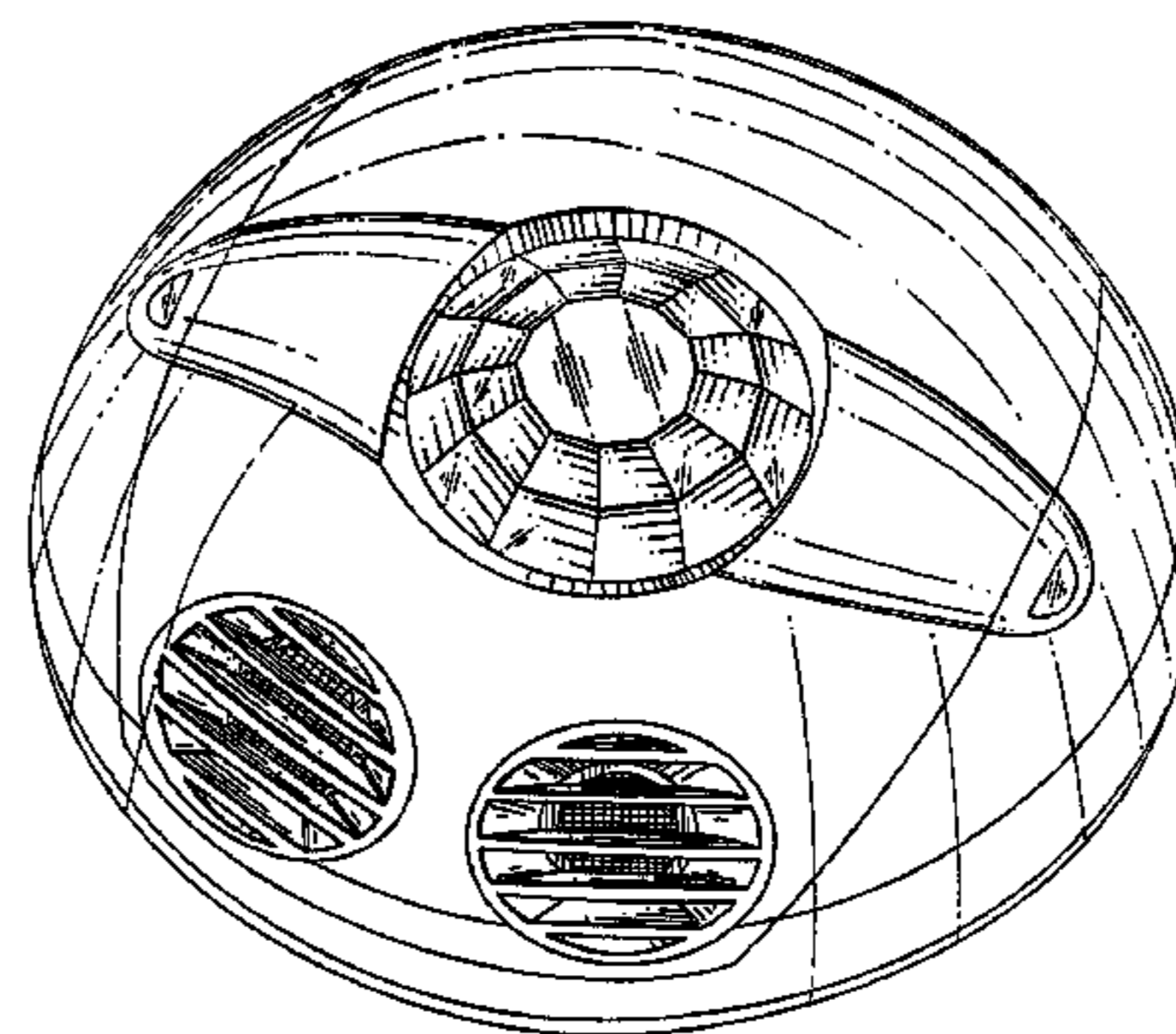
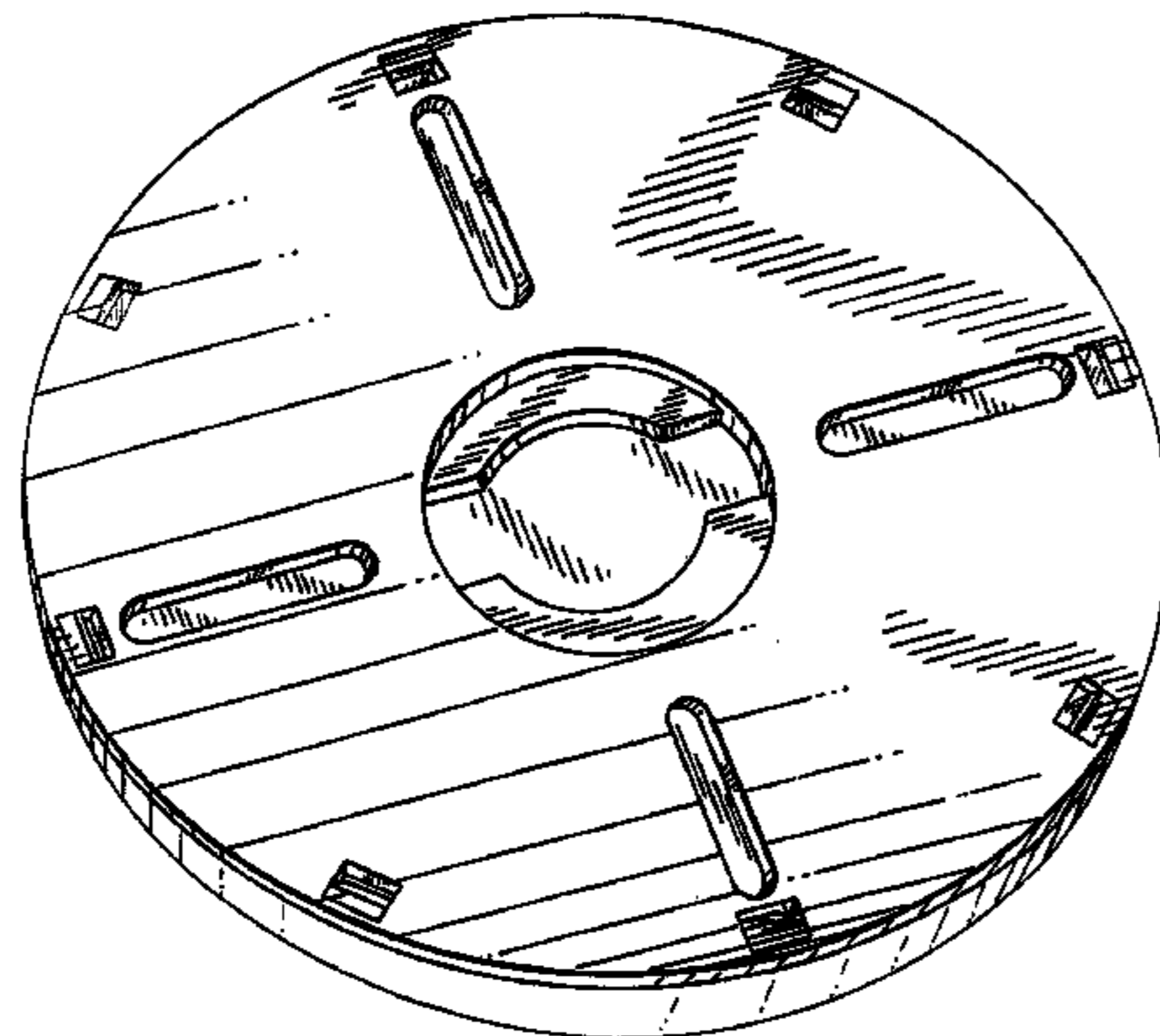
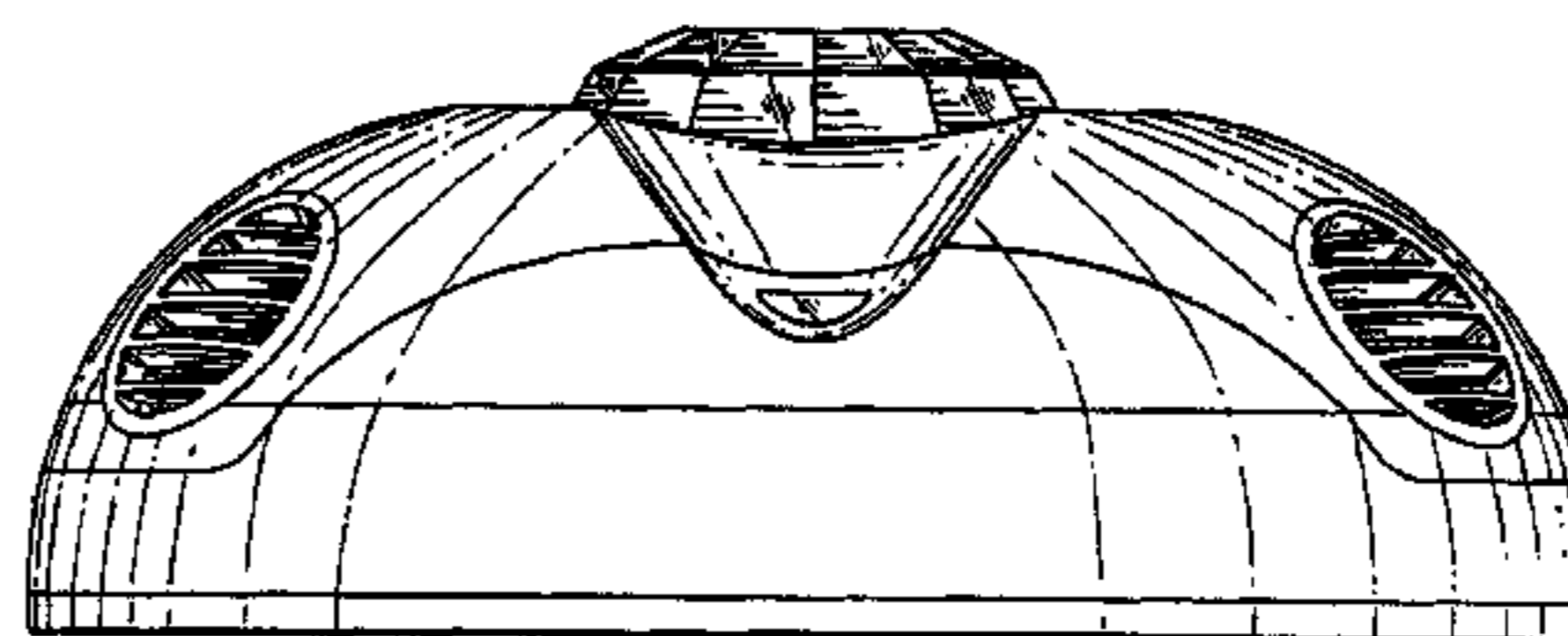
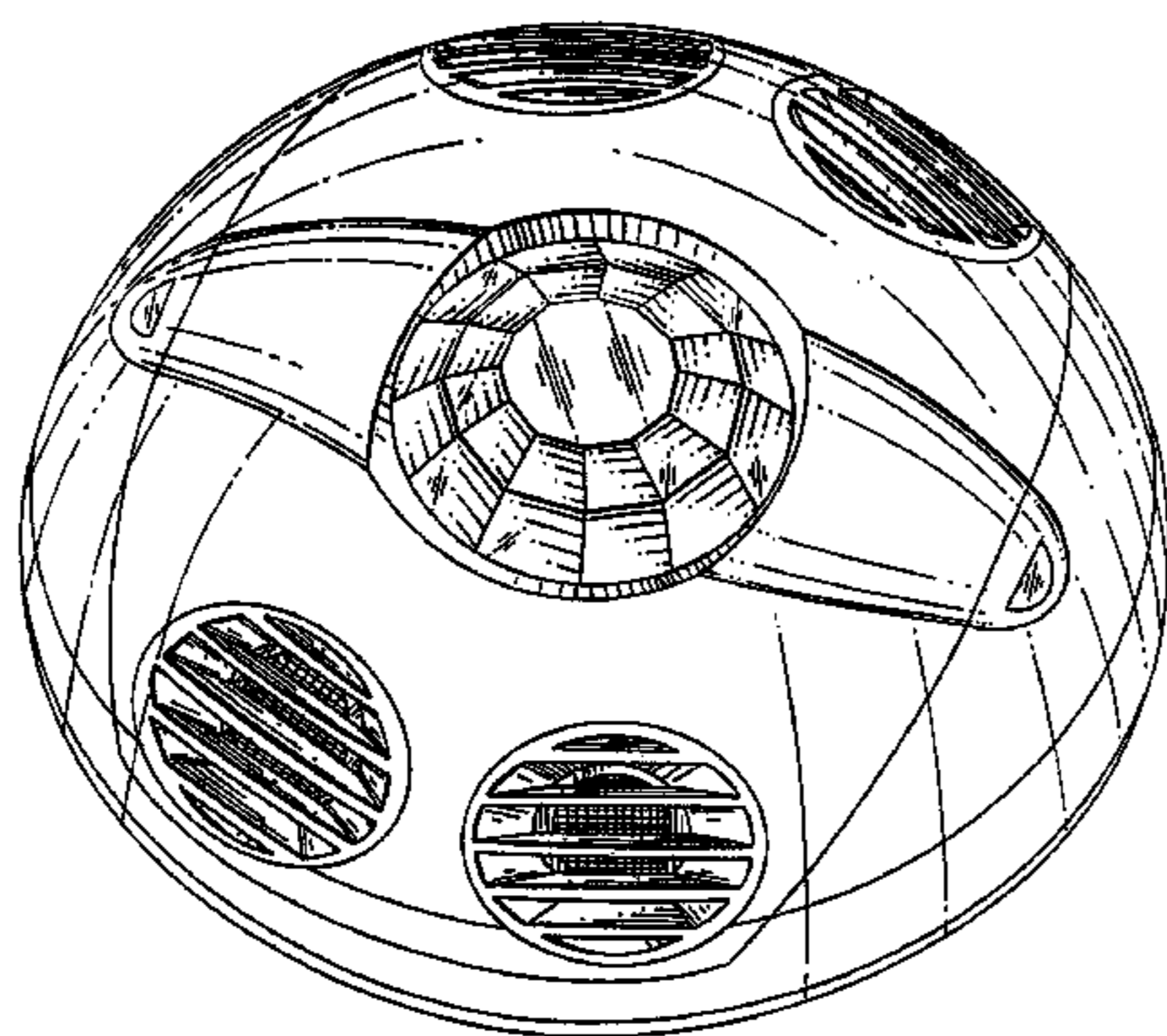
FIG. 2 is a side elevation view thereof;

FIG. 3 is a bottom perspective view thereof;

FIG. 4 is a top perspective view of a low voltage occupancy
sensor; and,

FIG. 5 is a side elevation view thereof.

1 Claim, 5 Drawing Sheets



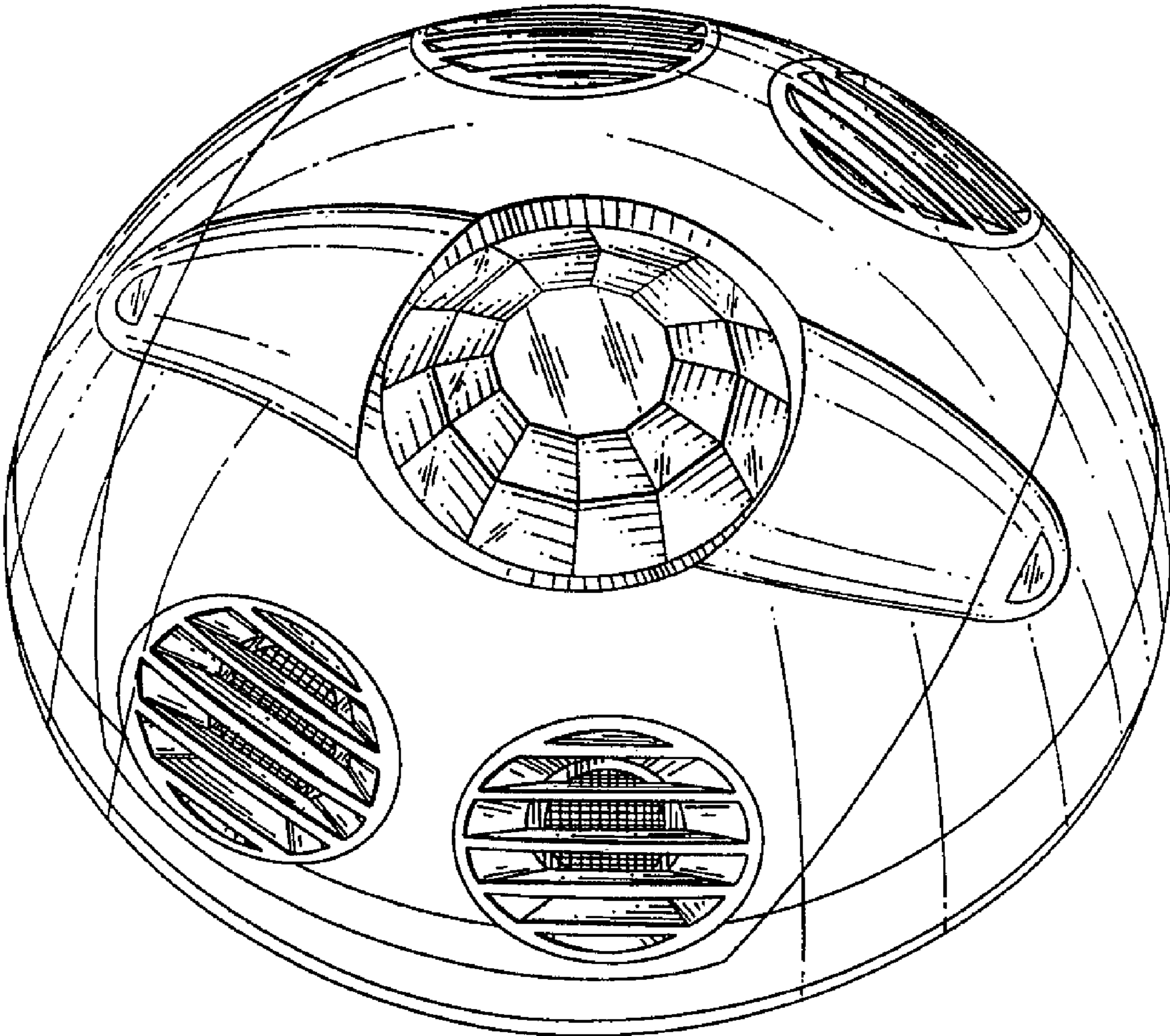


FIG. 1

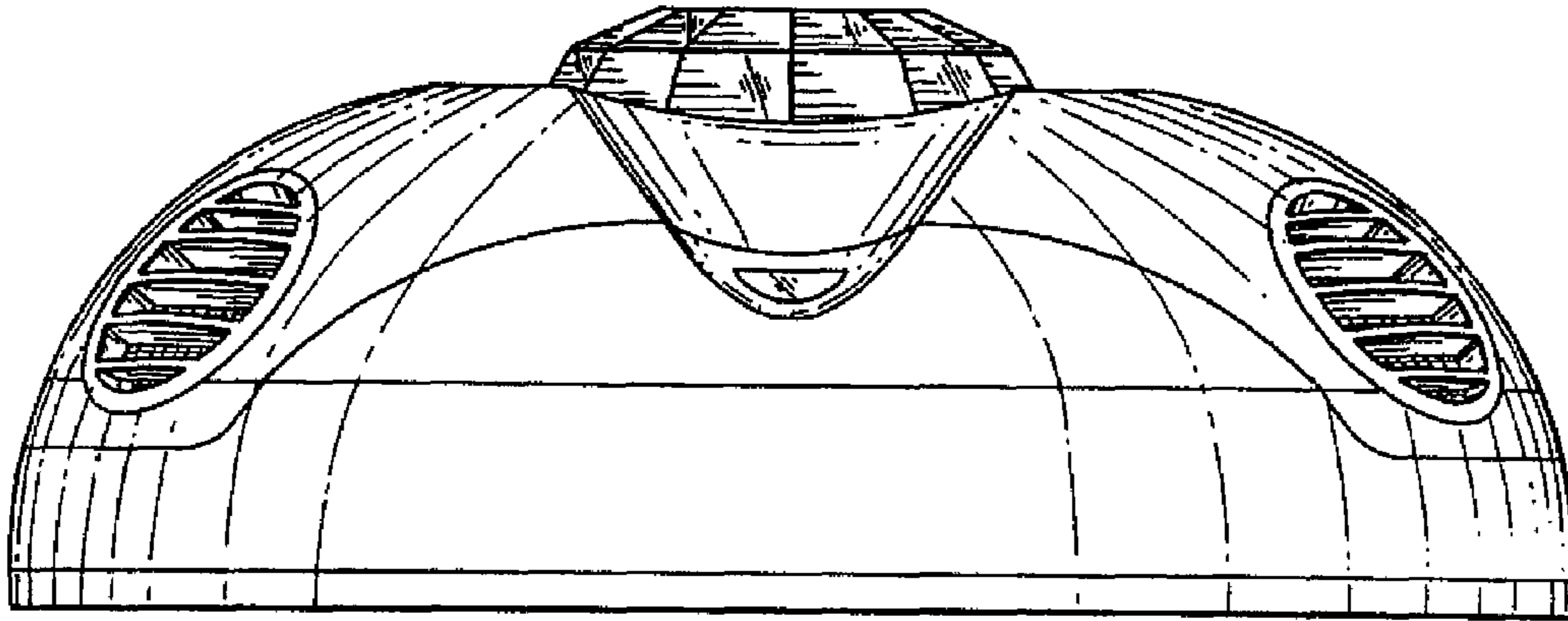


FIG. 2

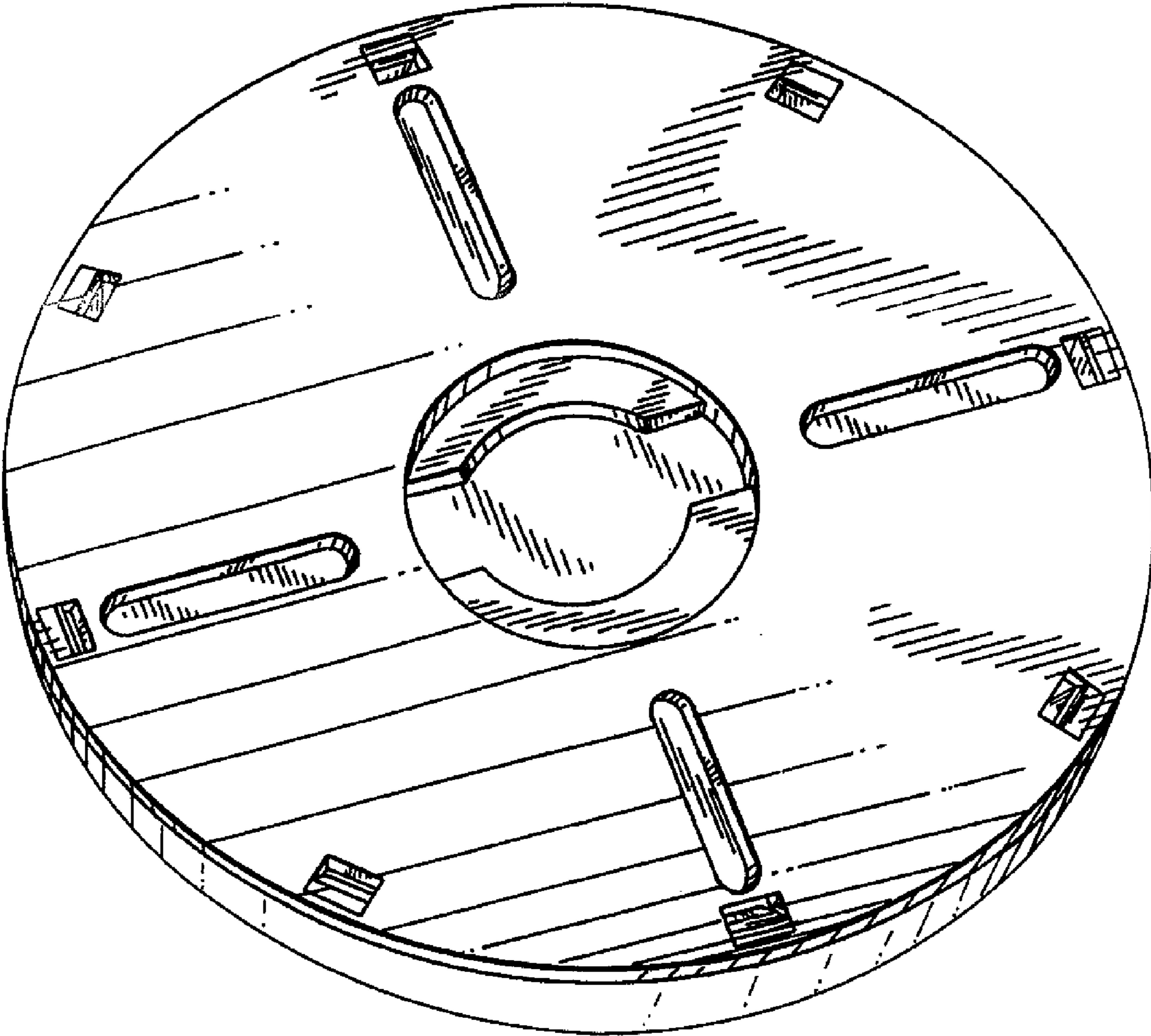


FIG. 3

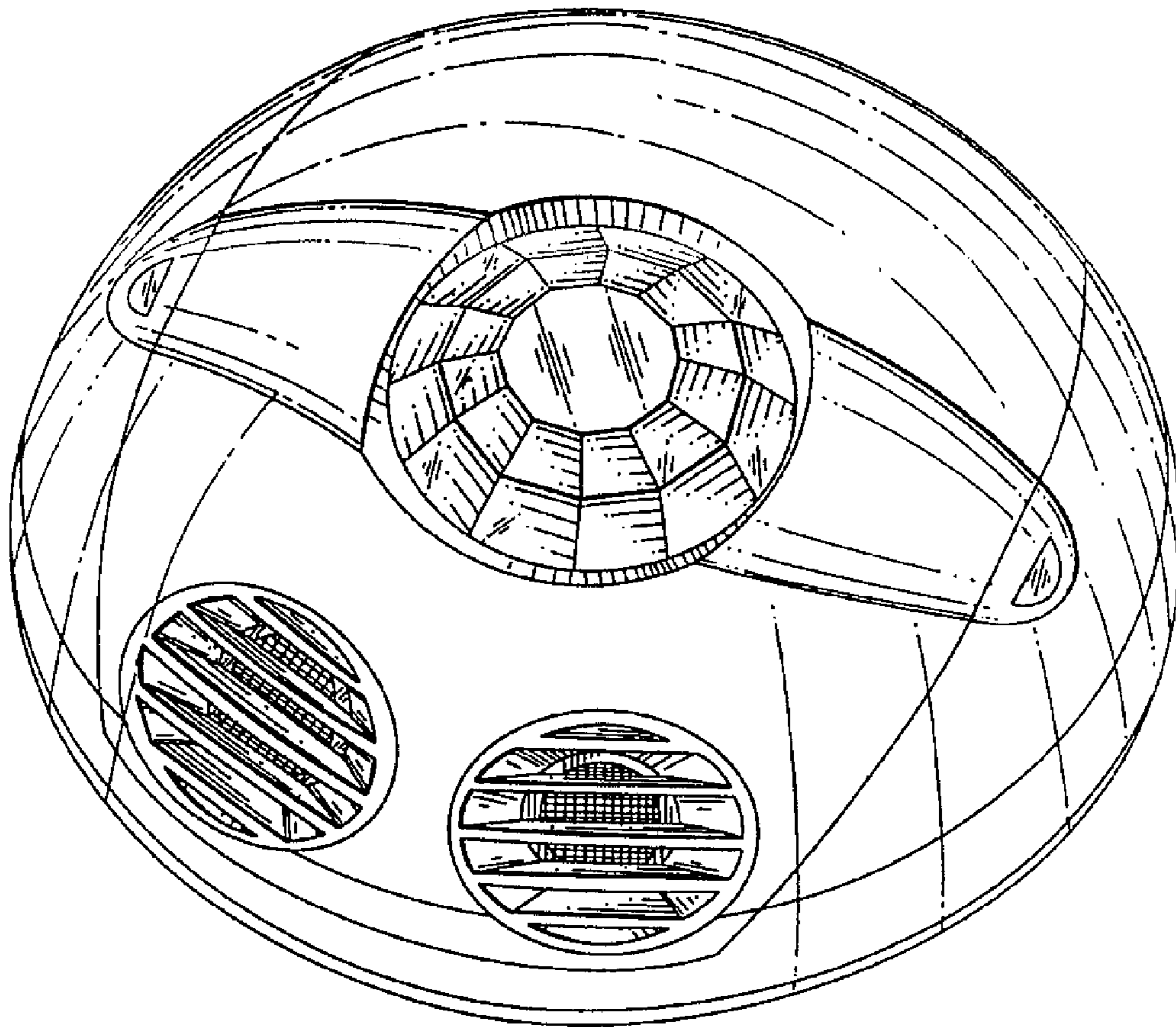


FIG. 4

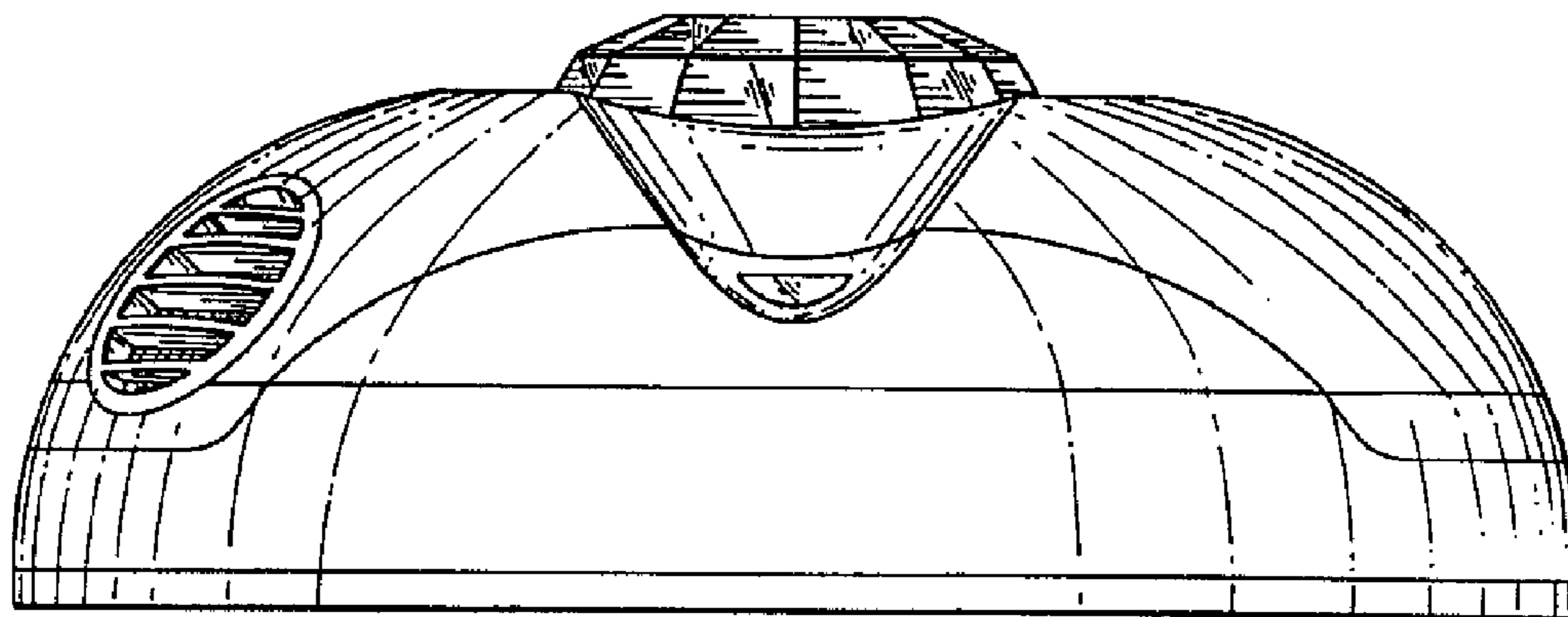


FIG. 5