



US00D561622S

(12) **United States Design Patent**  
**Ahlgren et al.**

(10) **Patent No.:** **US D561,622 S**

(45) **Date of Patent:** **\*\* Feb. 12, 2008**

(54) **VOLTMETER**

(75) Inventors: **Lars-Olov Ahlgren**, Fellingsbro (SE);  
**Michael Gudmundsson**, Ludvika (SE)

(73) Assignee: **ABB Technology Ltd.**, Zürich (CH)

(\*\*) Term: **14 Years**

(21) Appl. No.: **29/274,678**

(22) Filed: **May 15, 2007**

(30) **Foreign Application Priority Data**

Nov. 15, 2006 (EP) ..... 000621644-0001

(51) **LOC (8) Cl.** ..... **10-04**

(52) **U.S. Cl.** ..... **D10/75**

(58) **Field of Classification Search** ..... D10/75,  
D10/78; 324/96, 96 D, 102, 103 P, 121 R,  
324/122, 141, 142, 158.1, 522, 523, 658,  
324/713

See application file for complete search history.

(56) **References Cited**

U.S. PATENT DOCUMENTS

7,100,504 B2 \* 9/2006 Toledo ..... 324/522

\* cited by examiner

*Primary Examiner*—Antoine D. Davis

(74) *Attorney, Agent, or Firm*—Venable LLP; Eric J. Franklin

(57) **CLAIM**

The ornamental design for a voltmeter, as shown and described.

**DESCRIPTION**

FIG. 1 represents a front view of an embodiment of a voltmeter showing our new design;

FIG. 2 represents a back view thereof;

FIG. 3 represents a left side view thereof;

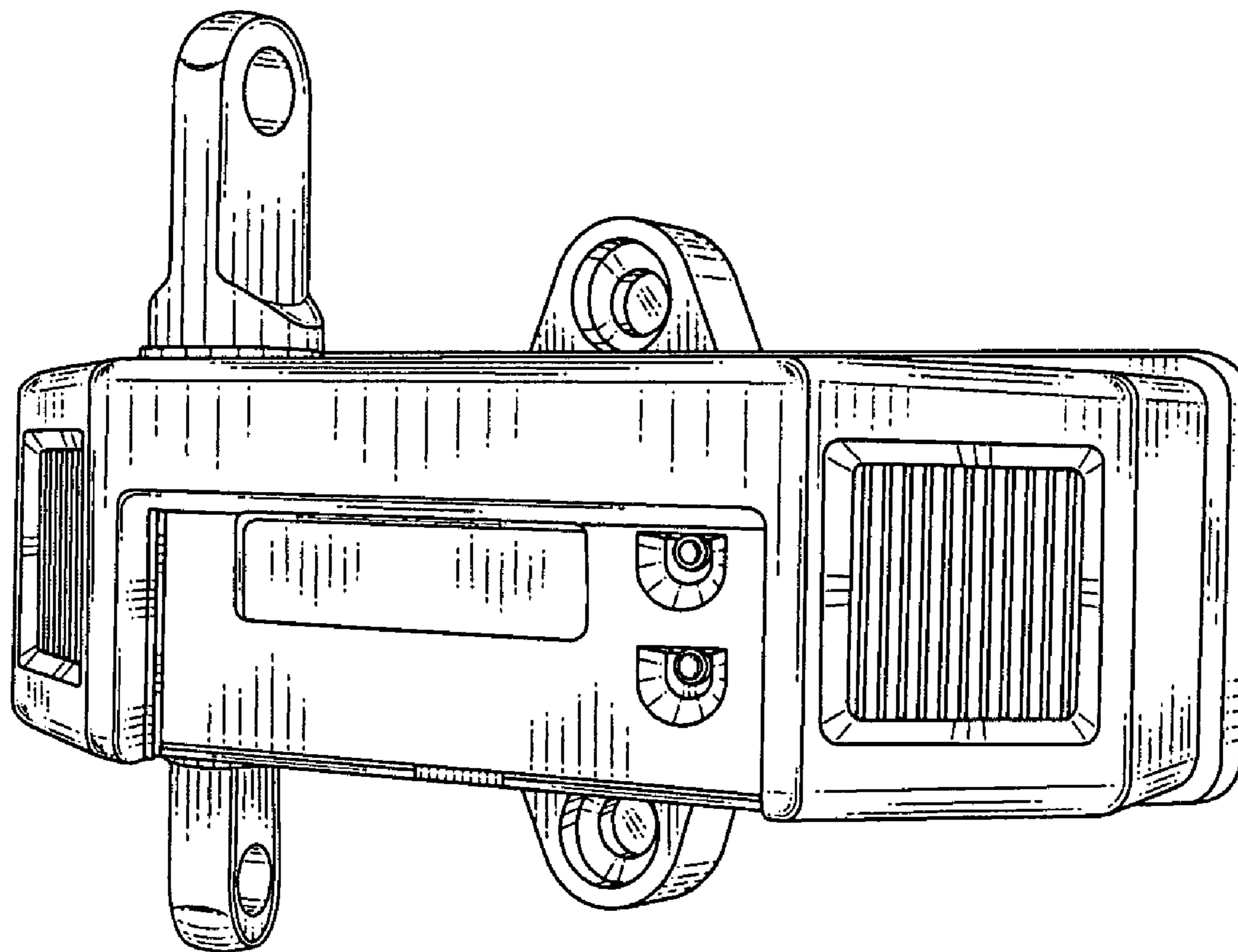
FIG. 4 represents a right side view thereof;

FIG. 5 represents a top view thereof;

FIG. 6 represents a bottom view thereof; and,

FIG. 7 represents a perspective view thereof.

**1 Claim, 7 Drawing Sheets**



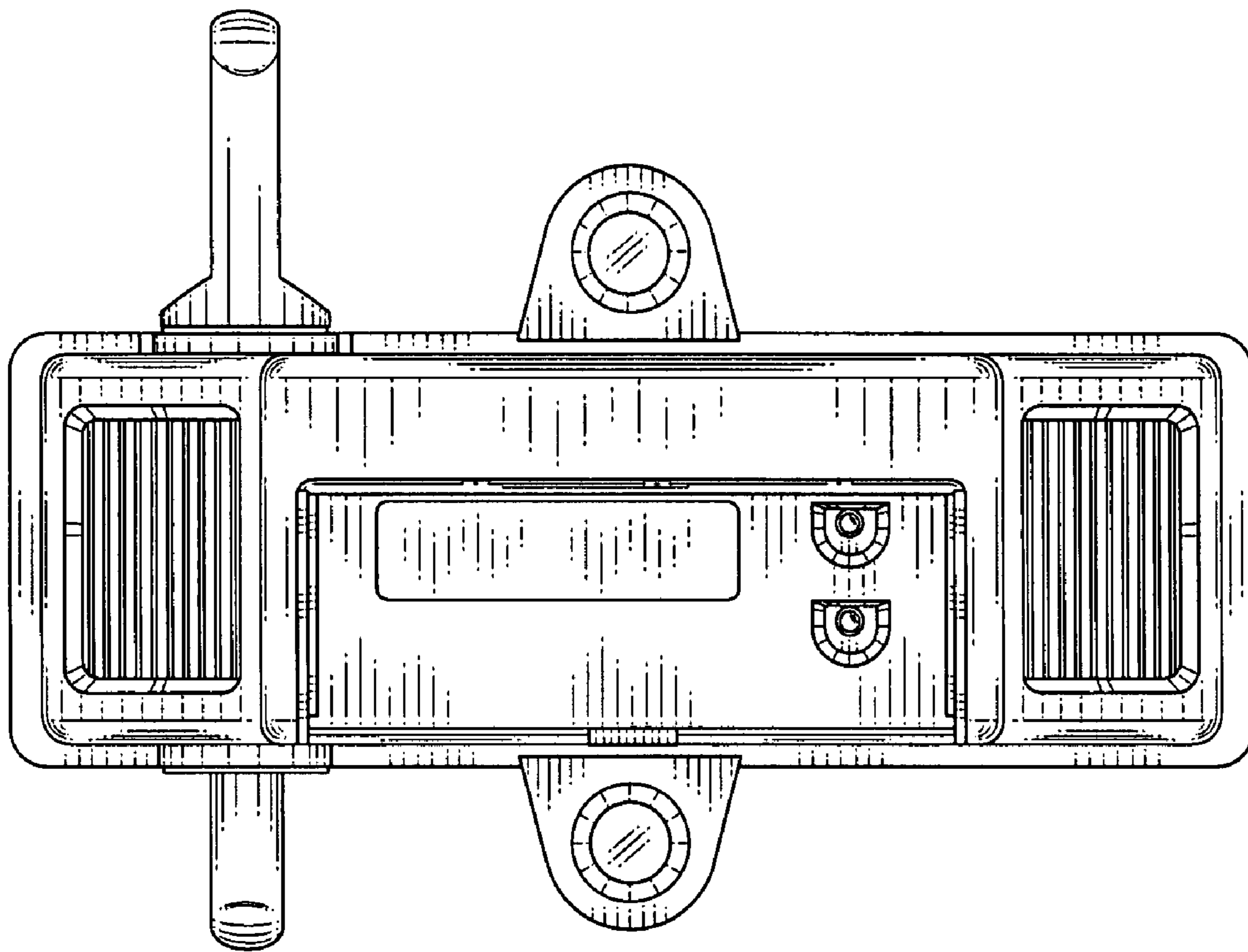


Fig. 1

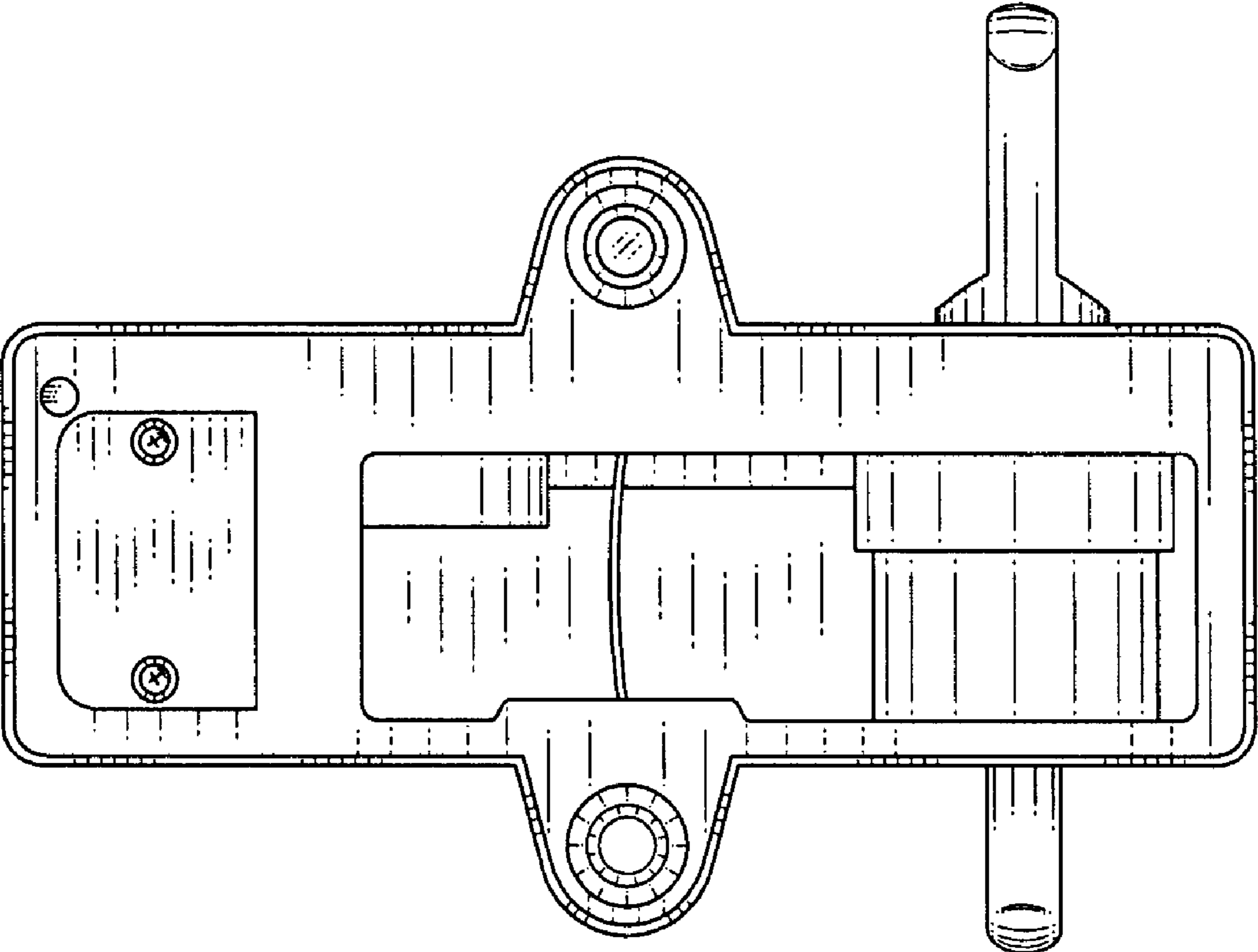


Fig. 2

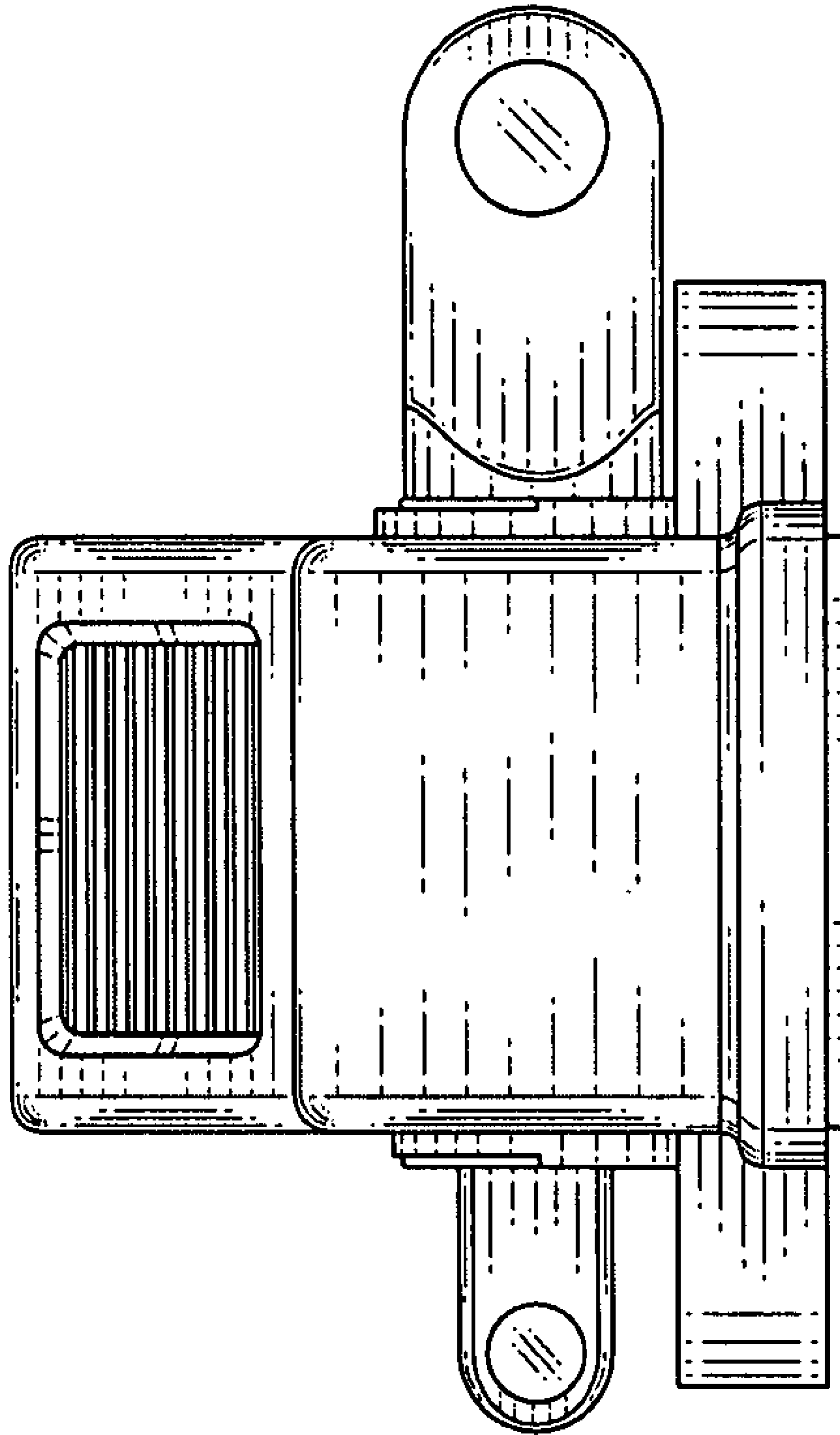


Fig. 3

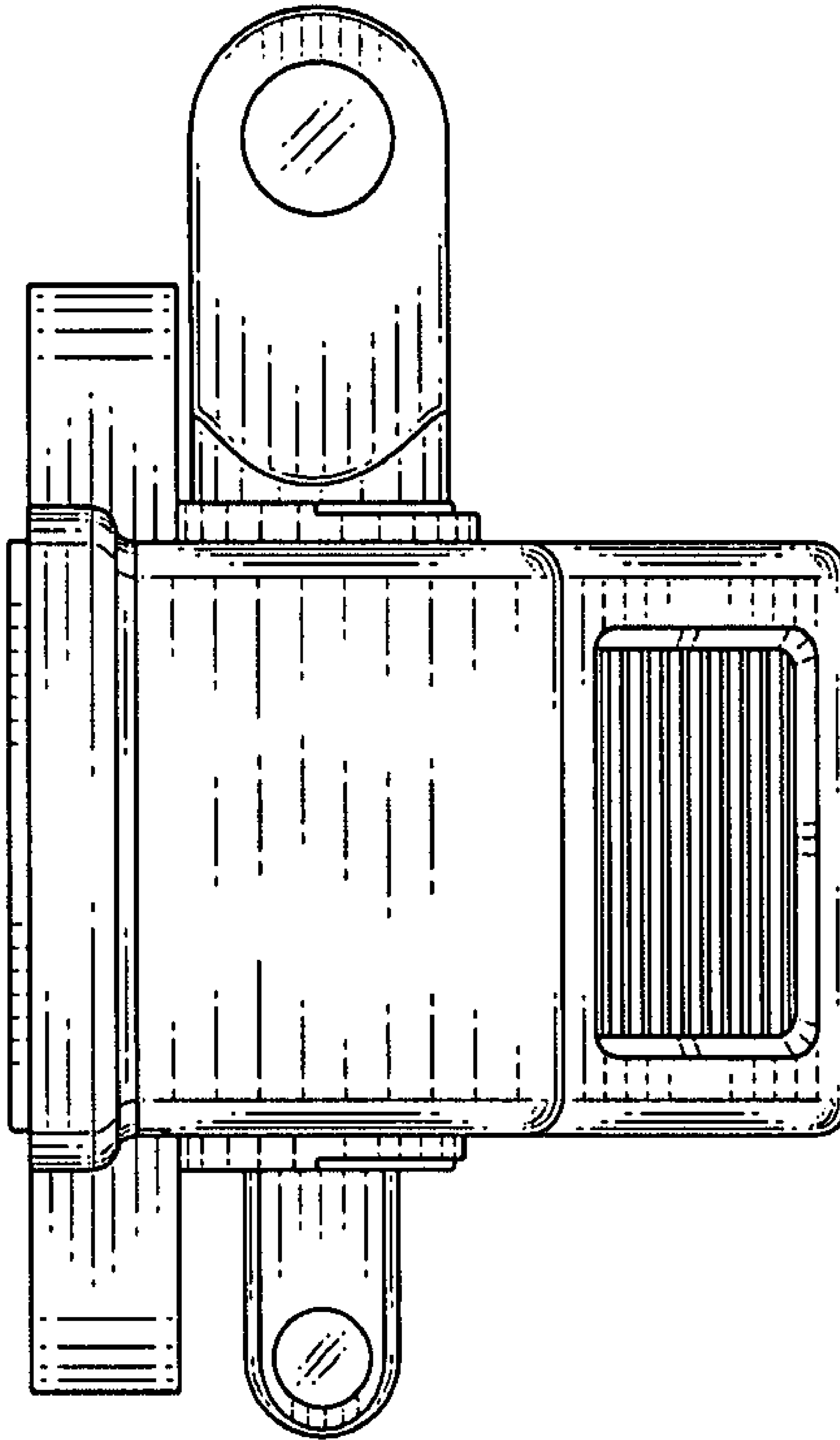


Fig. 4

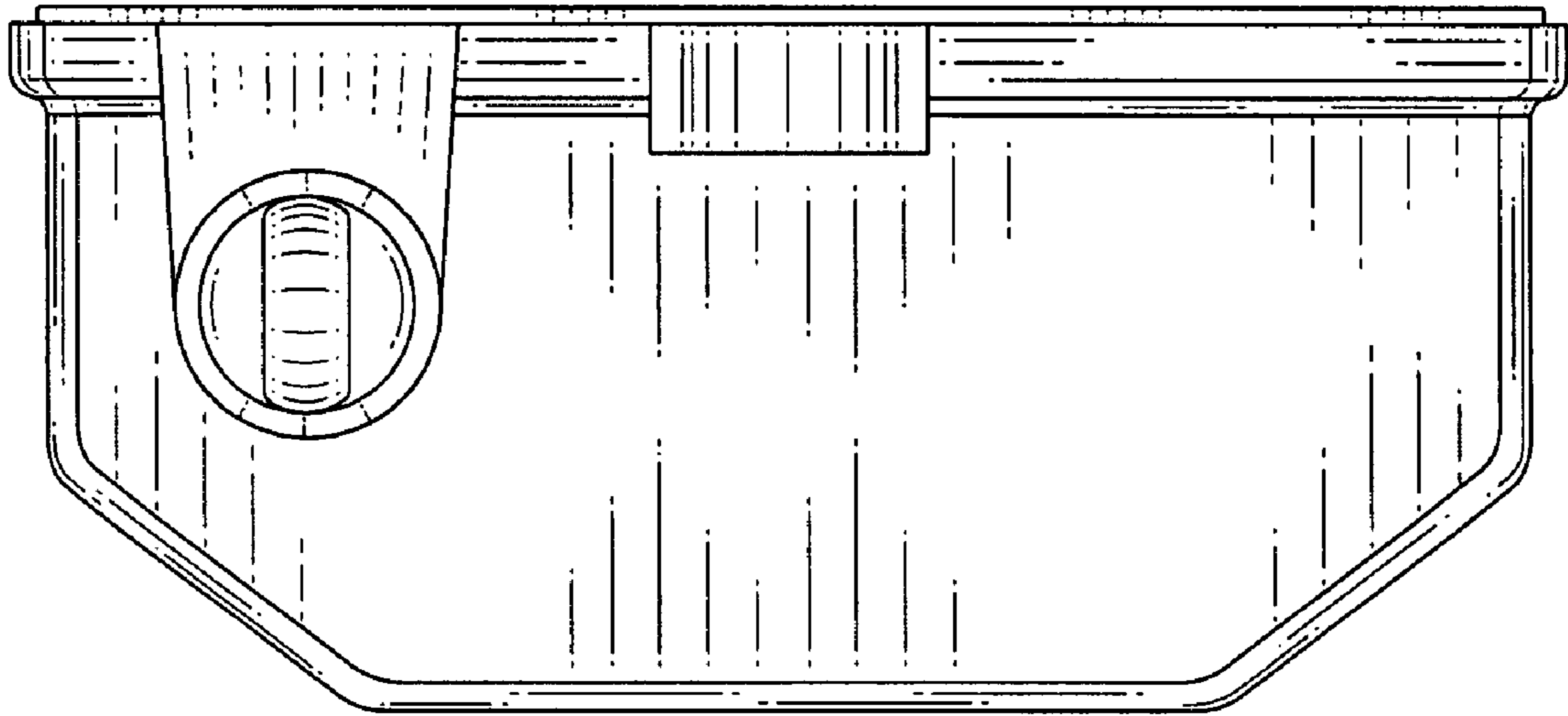


Fig. 5

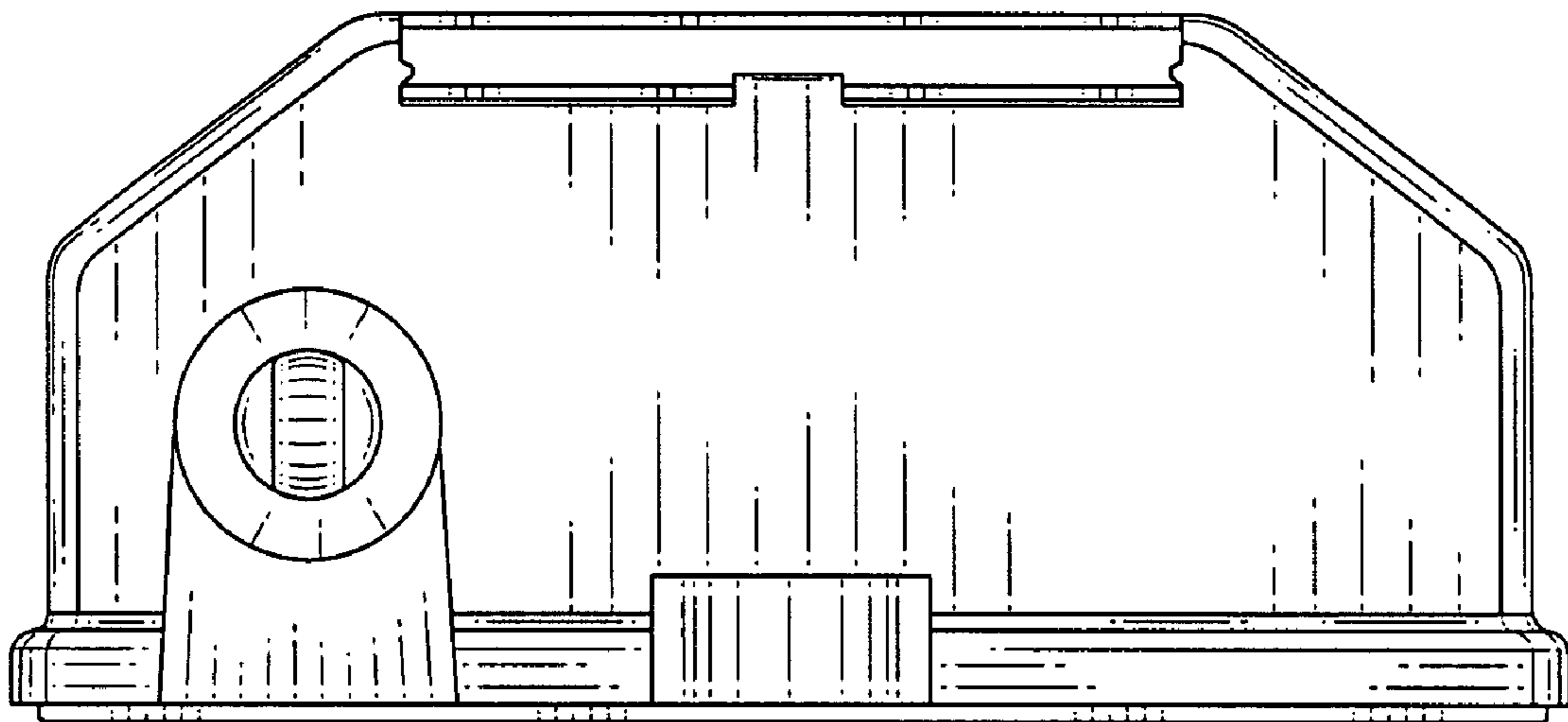


Fig. 6

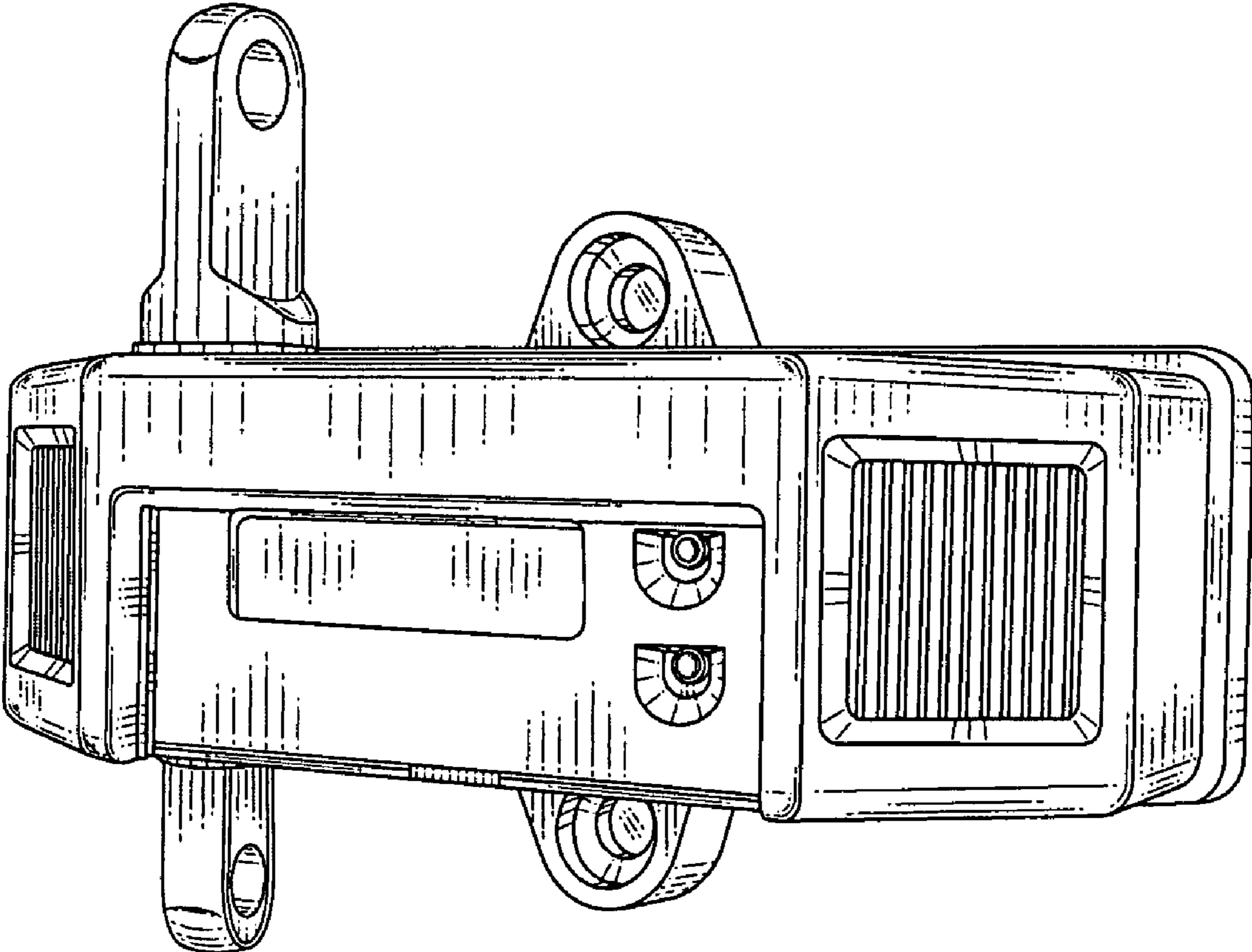


Fig. 7