

US00D561621S

(12) **United States Design Patent**
Ishii et al.

(10) **Patent No.:** **US D561,621 S**

(45) **Date of Patent:** **** Feb. 12, 2008**

(54) **ROTATING LASER**

(75) Inventors: **Mitsuo Ishii**, Itabashi-ku (JP);
Shinsuke Kaneko, Itabashi-ku (JP);
Kazufumi Suzuki, Shinjuku-ku (JP)

(73) Assignee: **Kabushiki Kaisha Topcon**, Tokyo (JP)

(**) Term: **14 Years**

(21) Appl. No.: **29/274,397**

(22) Filed: **Apr. 20, 2007**

(51) **LOC (8) Cl.** **10-04**

(52) **U.S. Cl.** **D10/66; D10/69; D10/70**

(58) **Field of Classification Search** 356/5.15,
356/4.01, 5.01, 4.05, 5.05-5.09, 5.12, 28.5,
356/139.3, 141.3, 345, 375, 3.01, 128-155,
356/399-400; 385/83, 97-99, 134-139;
701/211-213, 150, 158; 264/1.24-1.25;
D10/66, 69, 70; 33/276, 277, 281, 285, 286,
33/290, 291-299, DIG. 21; 340/573.1-573.4,
340/539, 825.36, 825.46, 825.49, 357.02,
340/357.07-357.09

See application file for complete search history.

(56) **References Cited**

U.S. PATENT DOCUMENTS

D469,738 S * 2/2003 Ishii D10/66
D509,180 S * 9/2005 Murray et al. D10/69

* cited by examiner

Primary Examiner—Antoine D. Davis

(74) *Attorney, Agent, or Firm*—Jacobson Holman PLLC

(57) **CLAIM**

The ornamental design for a rotating laser, as shown.

DESCRIPTION

FIG. 1 is a perspective view of the rotating laser taken from front, right upper direction;

FIG. 2 is a front view of the rotating laser;

FIG. 3 is a rear view of the rotating laser;

FIG. 4 is a left-side view of the rotating laser;

FIG. 5 is a right-side view of the rotating laser;

FIG. 6 is a plan view of the rotating laser; and,

FIG. 7 is a bottom view of the rotating laser.

1 Claim, 6 Drawing Sheets

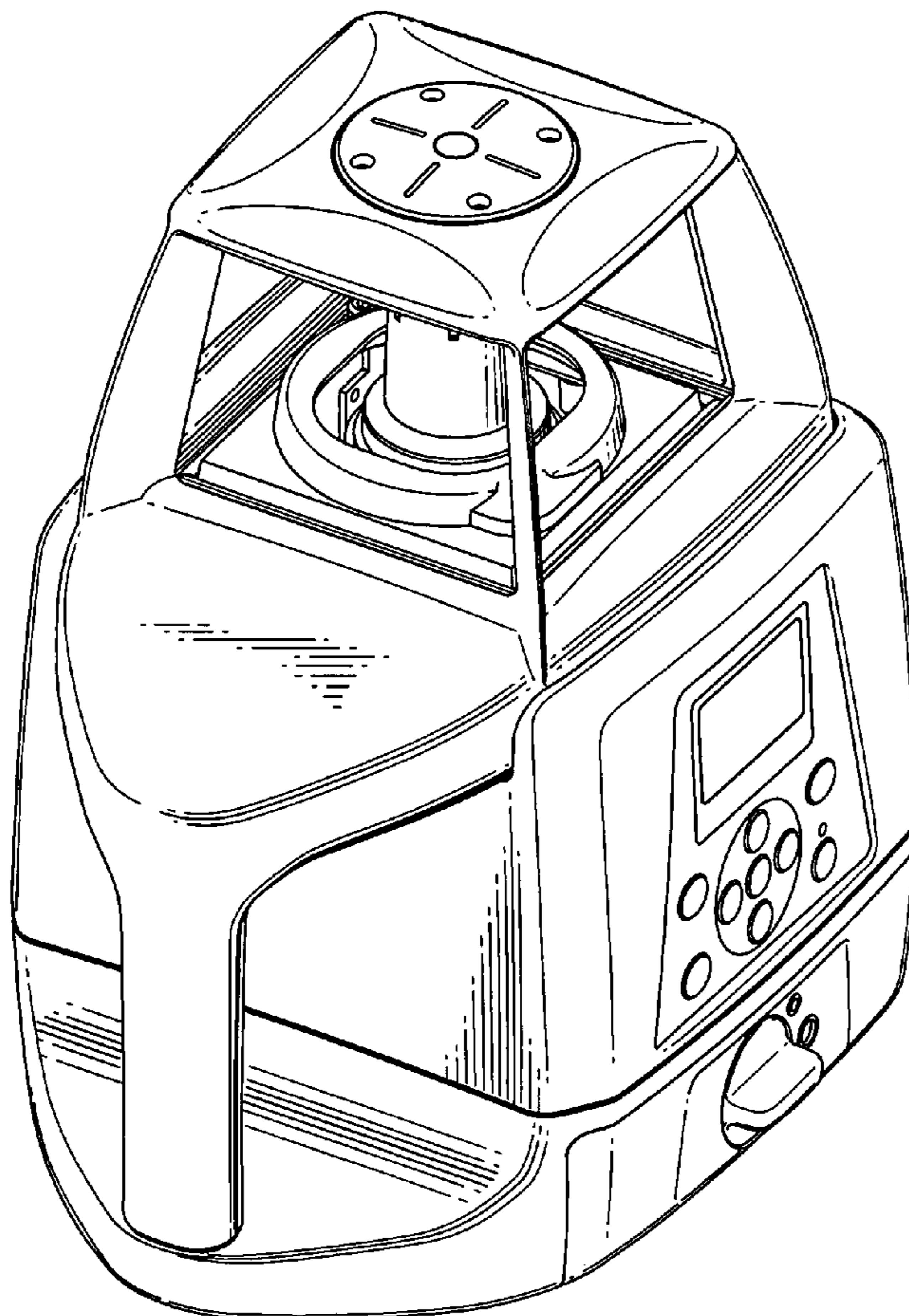


FIG. 1

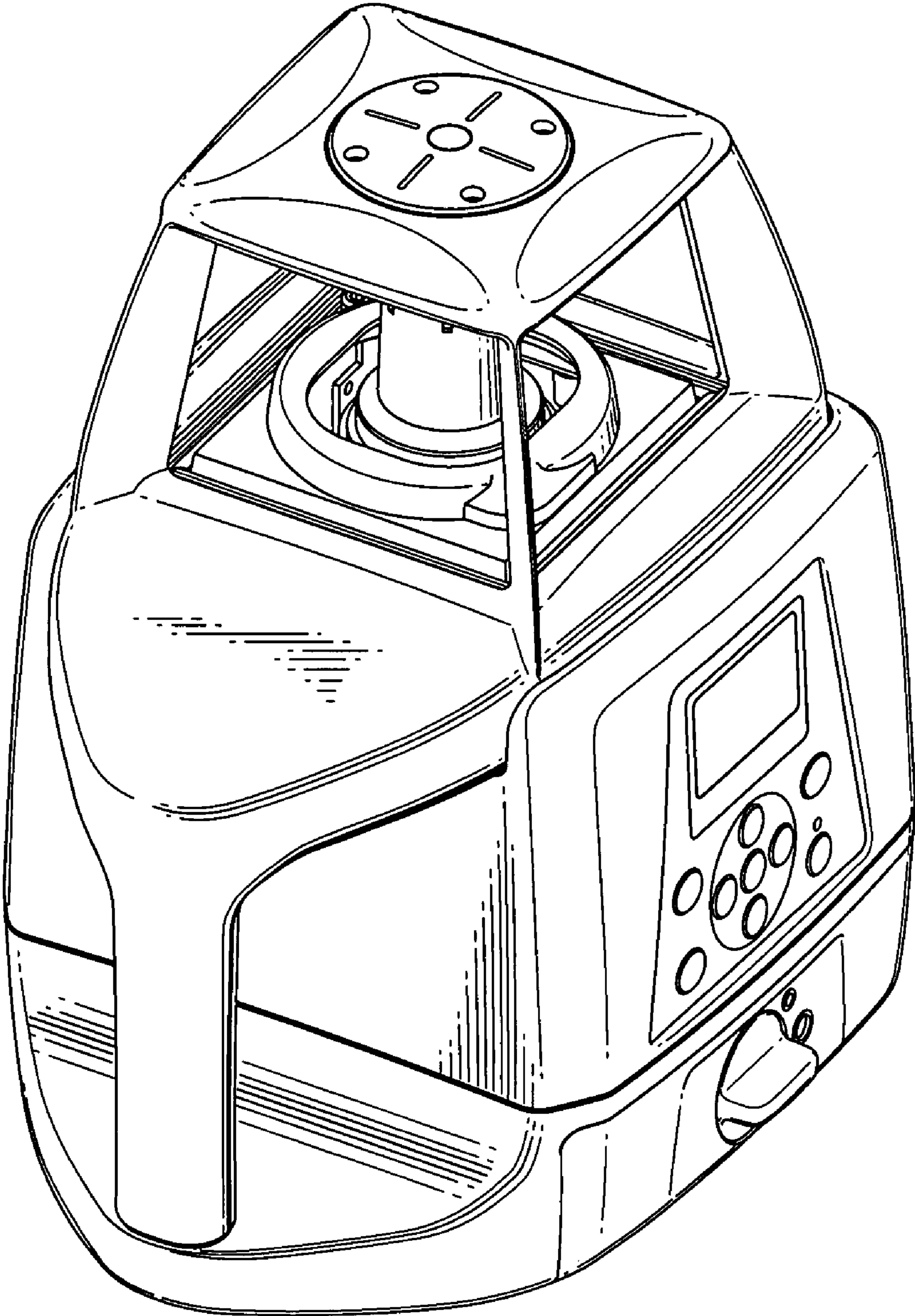


FIG.2

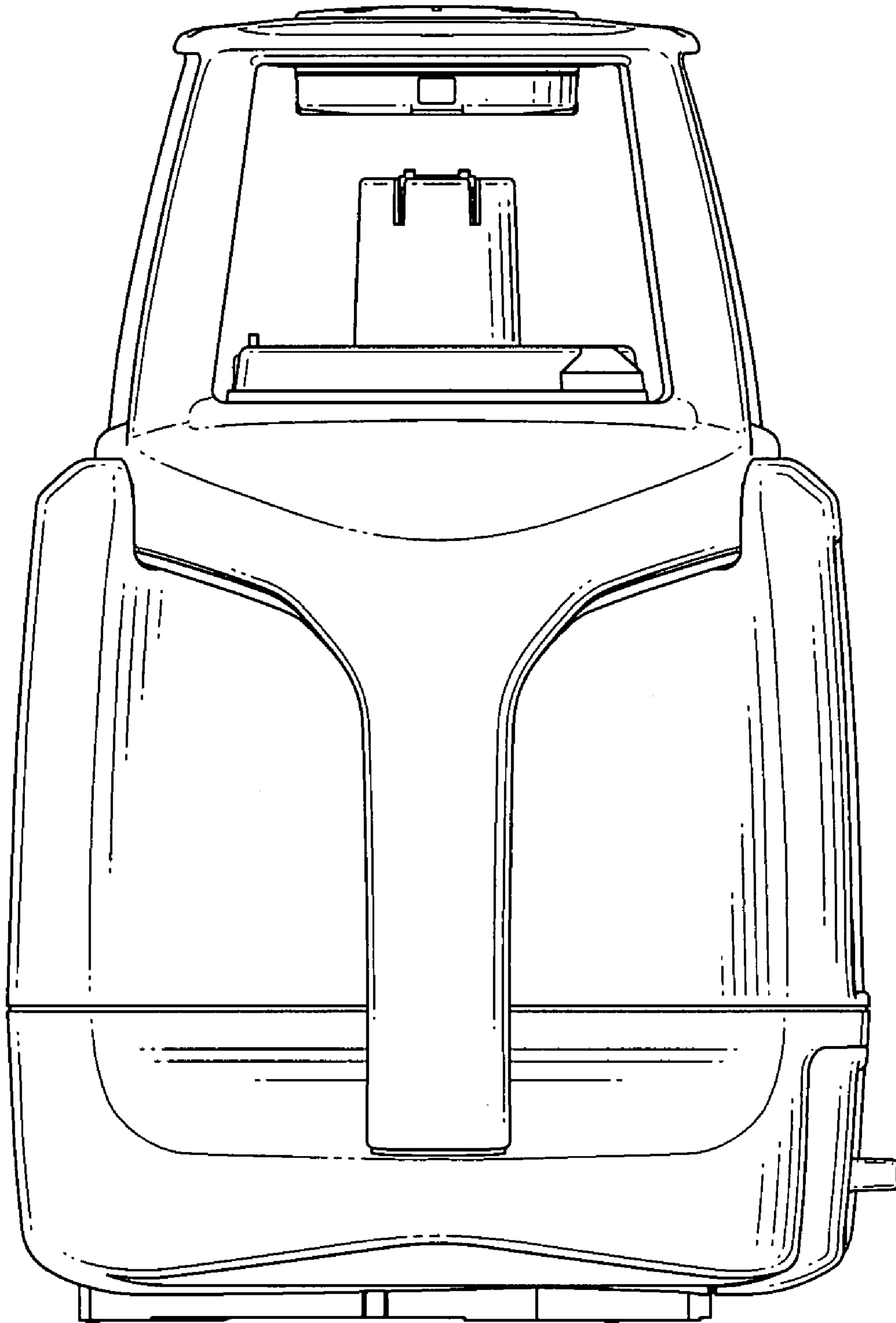


FIG.3

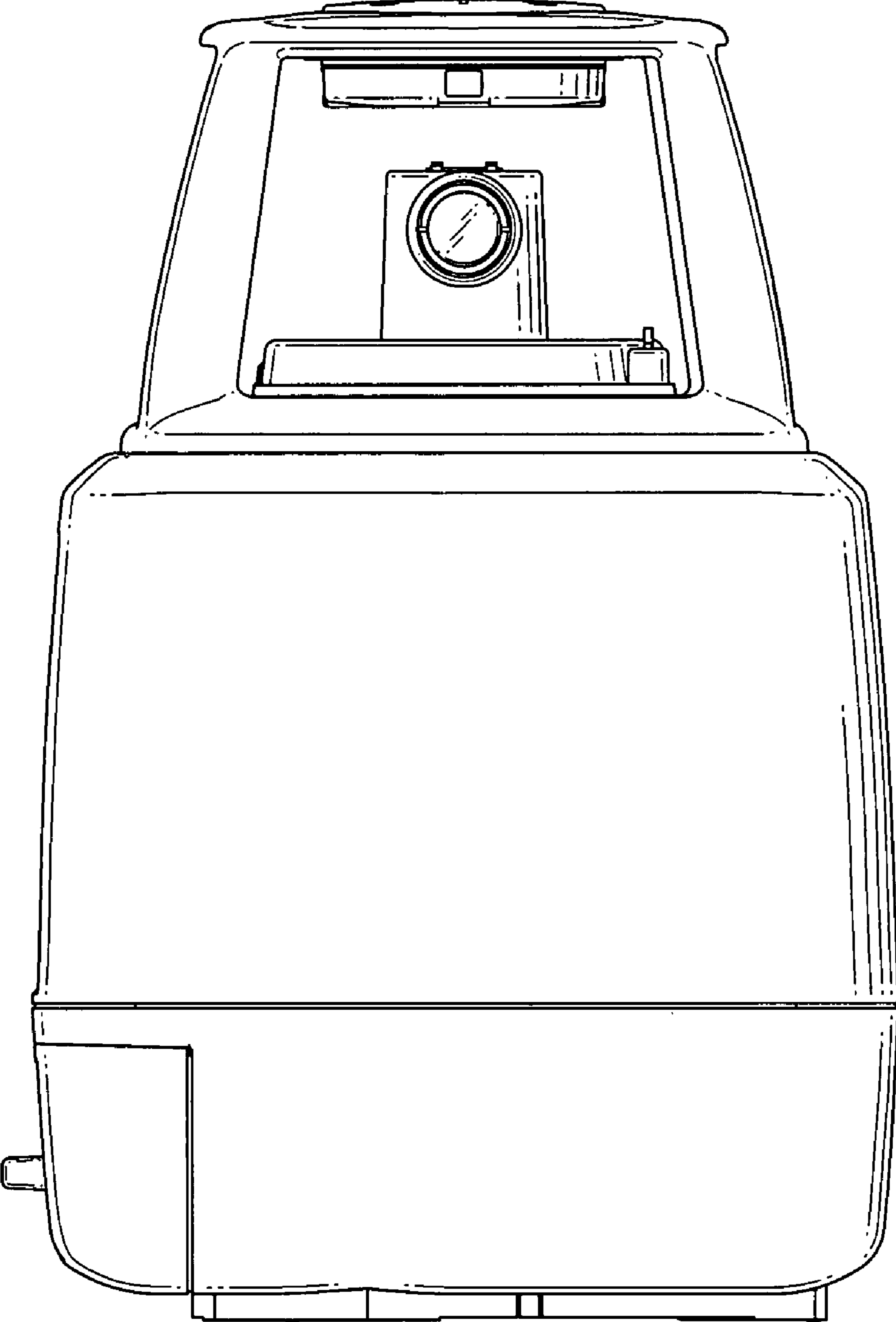


FIG.4

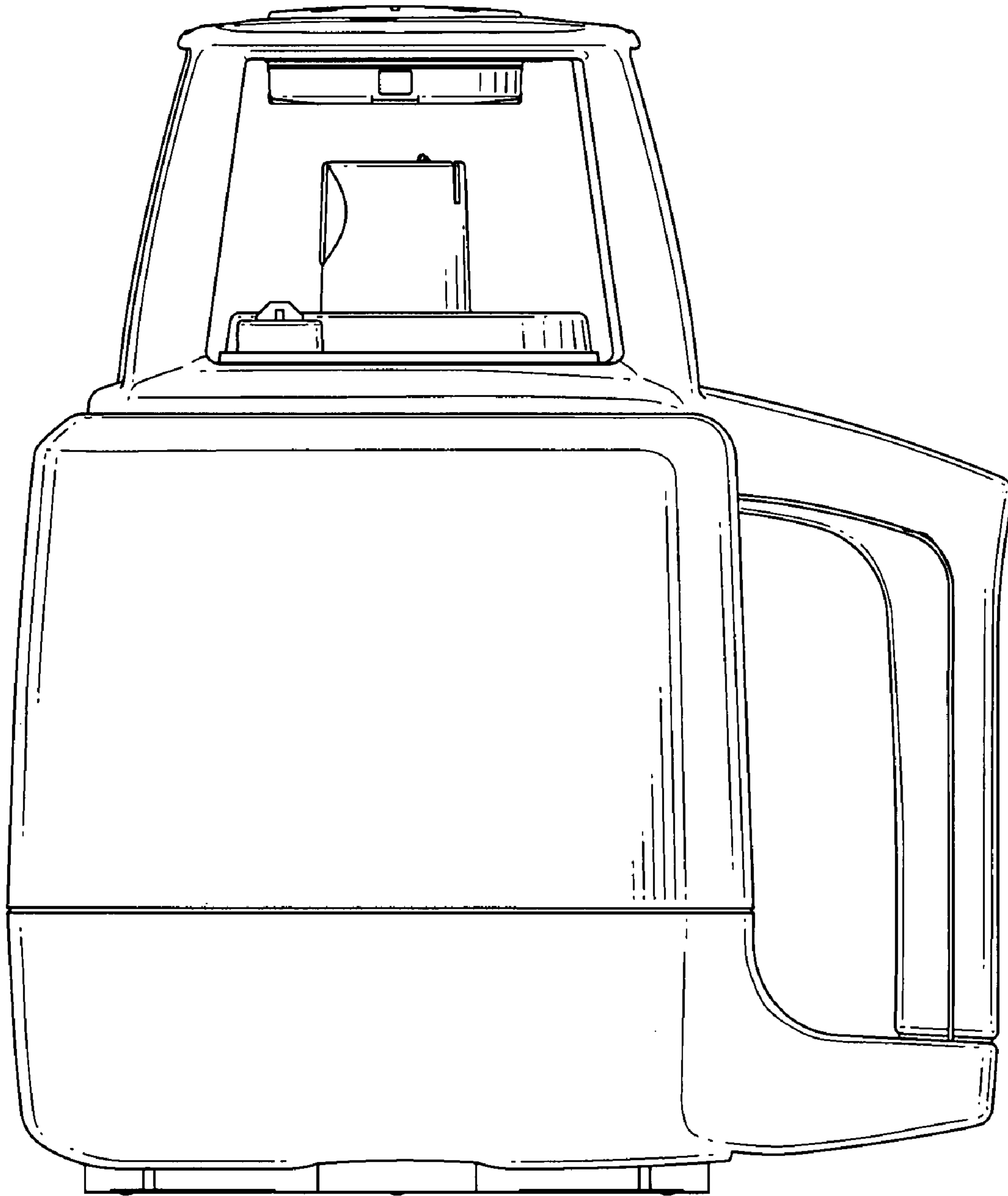


FIG.5

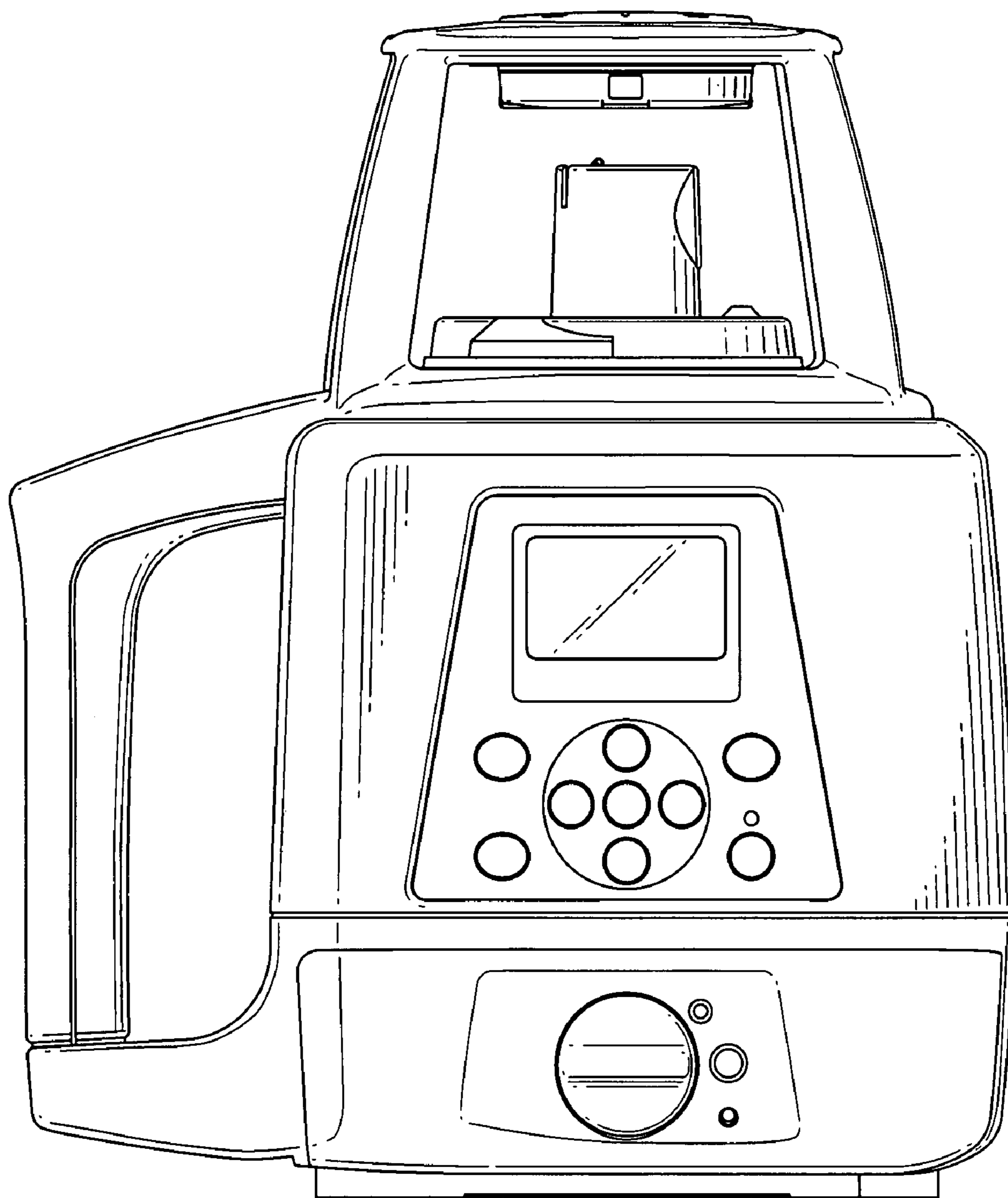


FIG.6

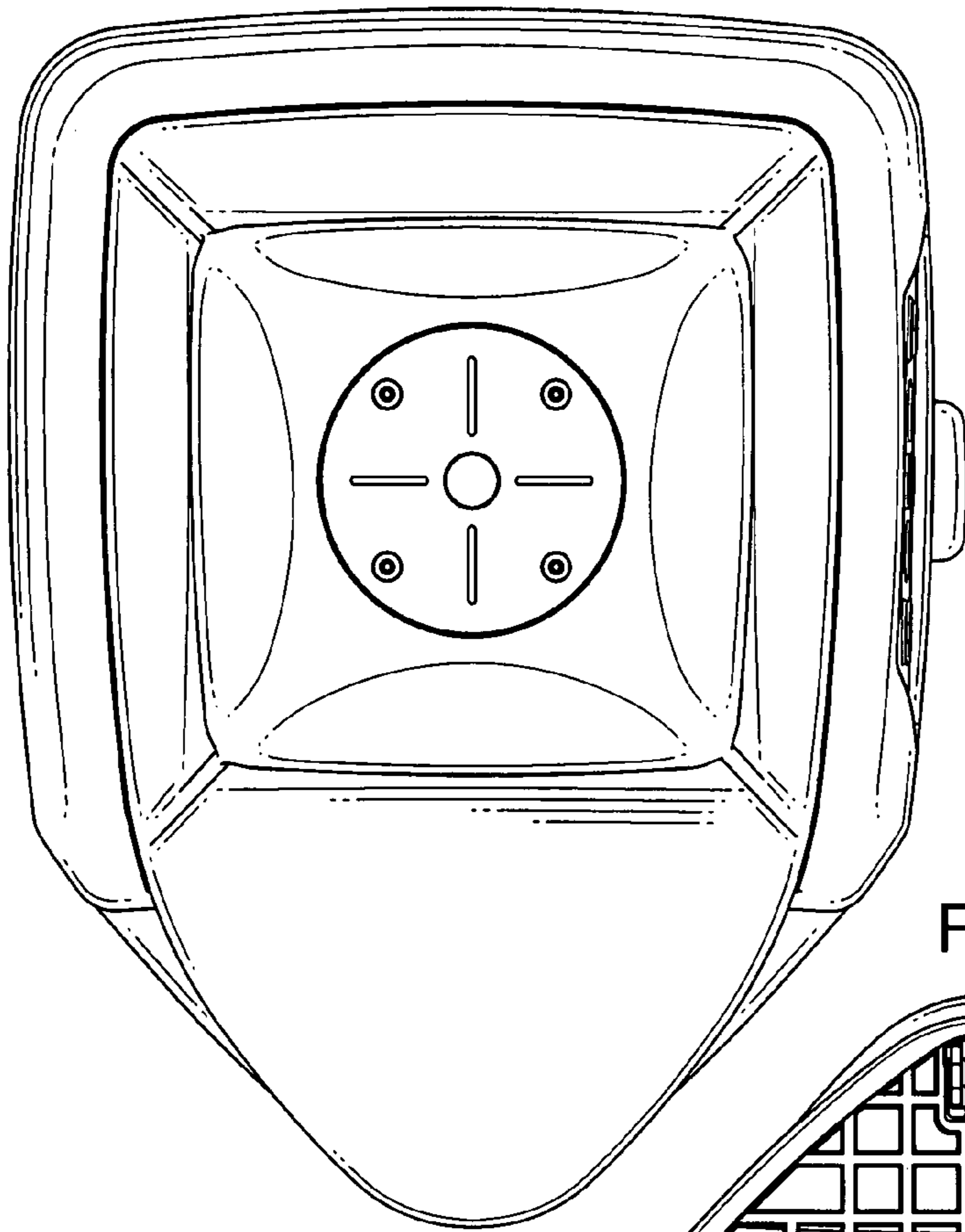


FIG.7

