

US00D561618S

(12) **United States Design Patent**  
**Teller**

(10) **Patent No.:** **US D561,618 S**

(45) **Date of Patent:** **\*\* Feb. 12, 2008**

(54) **BOTTLE SENSOR**

(75) Inventor: **David Teller**, Miami, FL (US)

(73) Assignee: **Beverage Metrics Holdings Ltd.**, Baar (CH)

(\*\*) Term: **14 Years**

(21) Appl. No.: **29/268,236**

(22) Filed: **Nov. 2, 2006**

(51) **LOC (8) Cl.** ..... **10-04**

(52) **U.S. Cl.** ..... **D10/65; D10/86; D10/101**

(58) **Field of Classification Search** ..... D10/46,  
D10/65, 70, 86, 101; 222/23, 28, 30, 36,  
222/567, 504, 63, 1, 641, 39, 37; 340/572.1,  
340/309.15, 689, 539.1, 606, 539.26, 539.22  
See application file for complete search history.

(56) **References Cited**

**U.S. PATENT DOCUMENTS**

7,126,479	B2 *	10/2006	Claessens et al. ....	340/572.1
2005/0151625	A1 *	7/2005	Lai .....	340/309.16
2005/0195081	A1 *	9/2005	Studnicki et al. ....	340/539.26
2007/0146154	A1 *	6/2007	Teller .....	340/689

\* cited by examiner

*Primary Examiner*—Antoine D. Davis  
(74) *Attorney, Agent, or Firm*—Jagtiani + Guttag

(57) **CLAIM**

The ornamental design for a bottle sensor, as shown and described.

**DESCRIPTION**

FIG. 1 is a right perspective view of a bottle sensor constructed in accordance with a design embodiment of the invention;

FIG. 2 is a left perspective view of the design embodiment shown in FIG. 1;

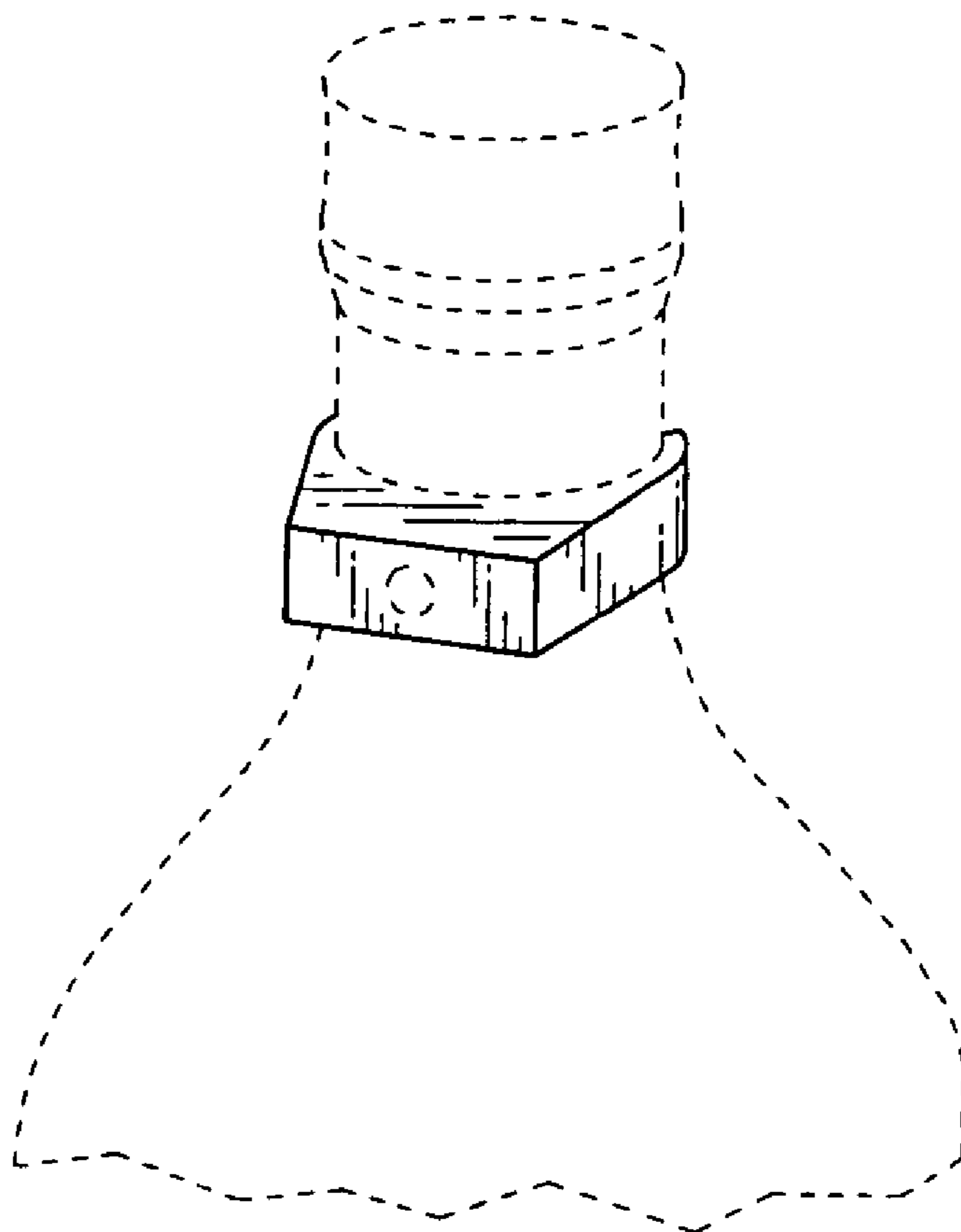
FIG. 3 is a top view of the design embodiment shown in FIG. 1;

FIG. 4 is a bottom view of the design embodiment shown in FIG. 1; and,

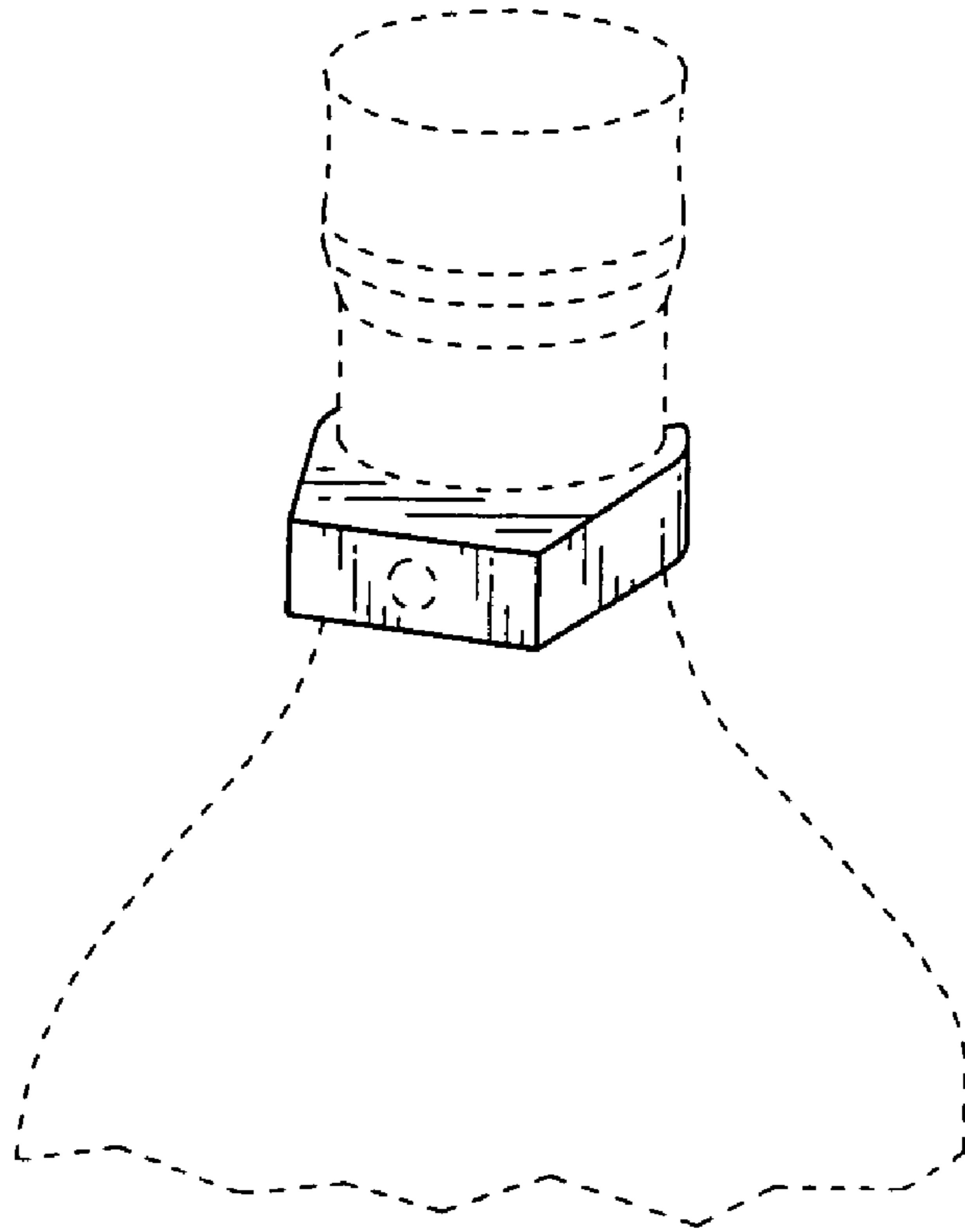
FIG. 5 is a right side view of the design embodiment shown in FIG. 1.

The purpose of the broken lines in the drawings represent environmental or boundary features that forms no part of the claimed design.

**1 Claim, 2 Drawing Sheets**



*FIG. 1*



*FIG. 2*

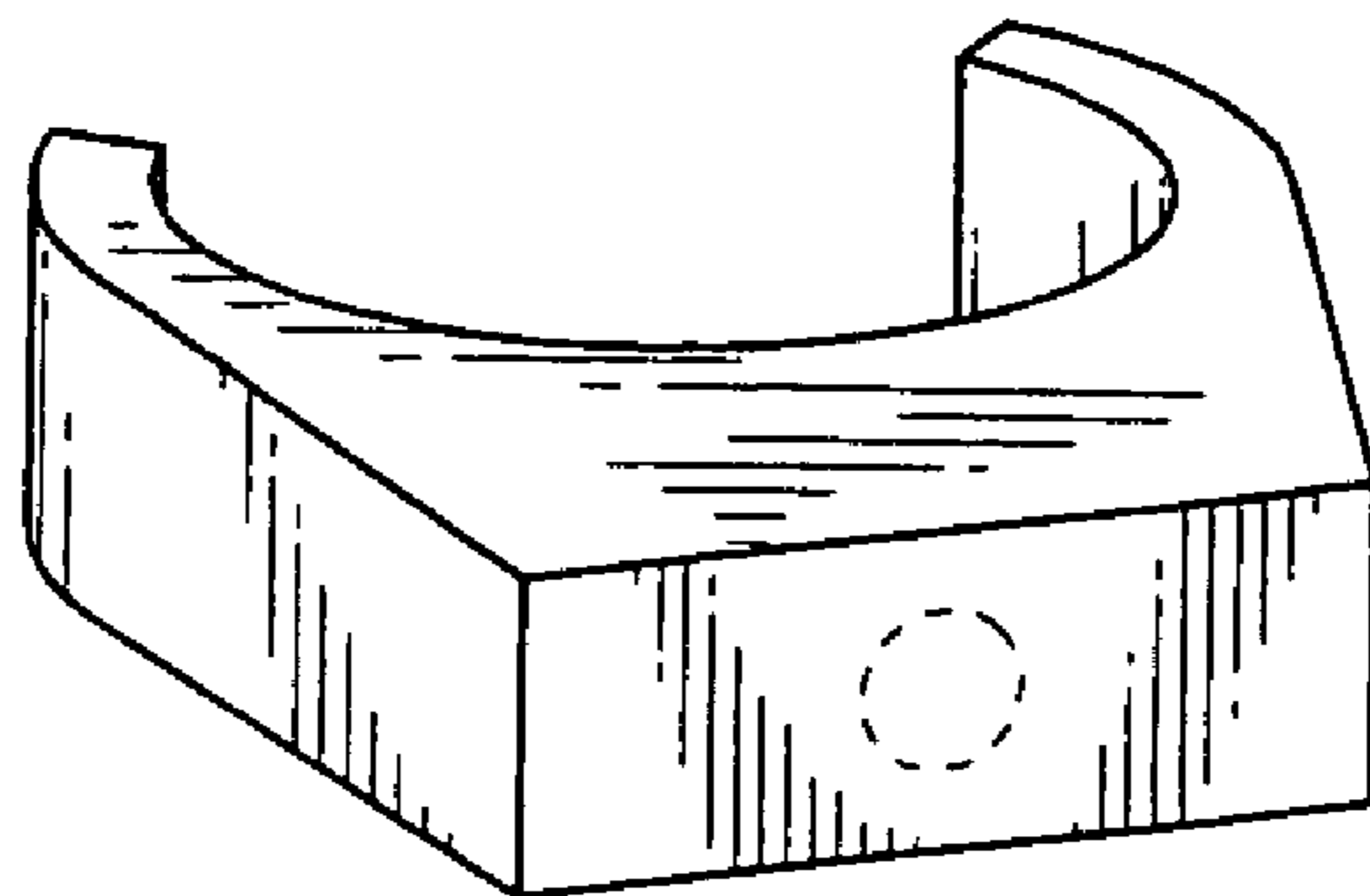


FIG. 3

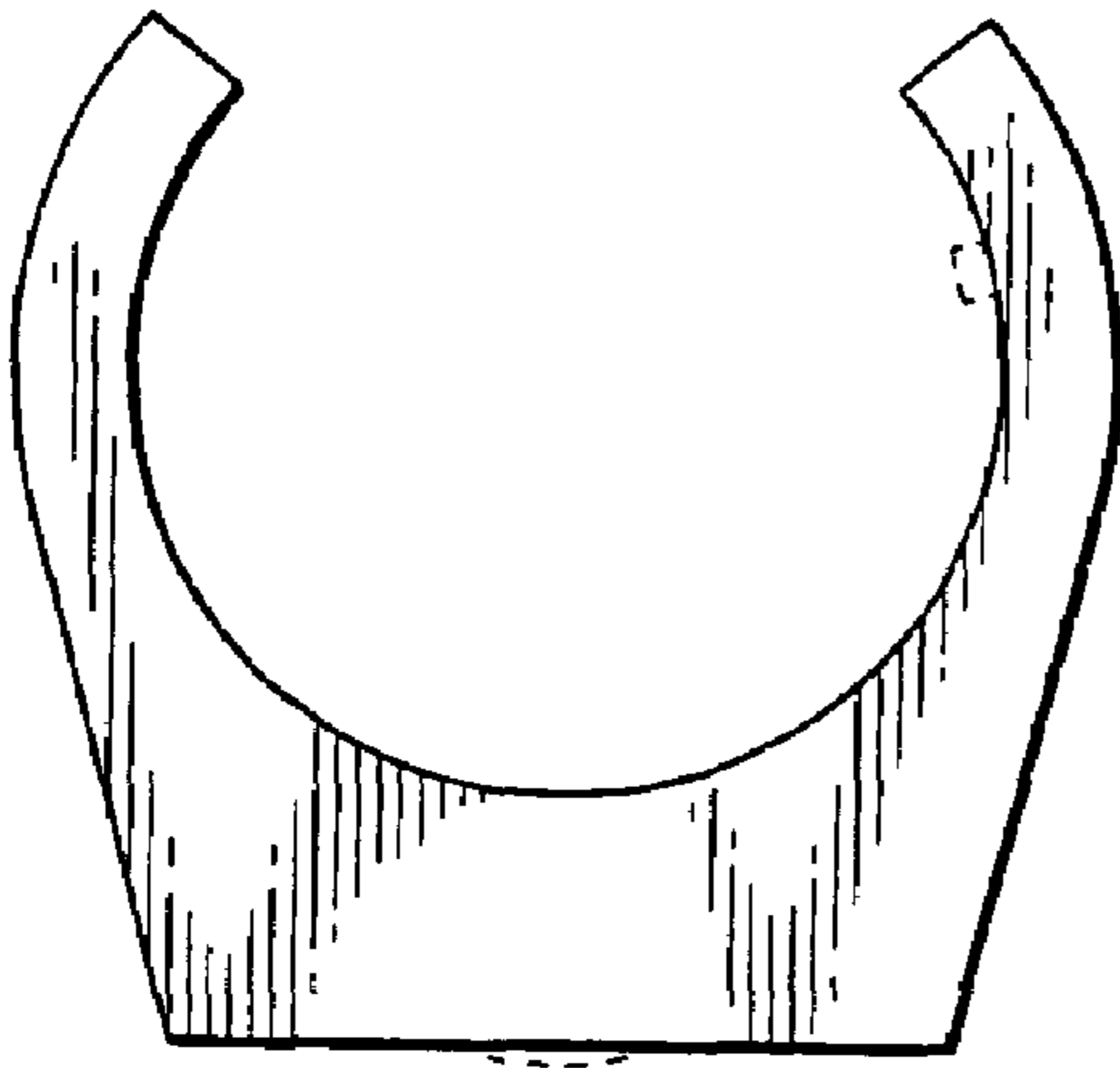


FIG. 4

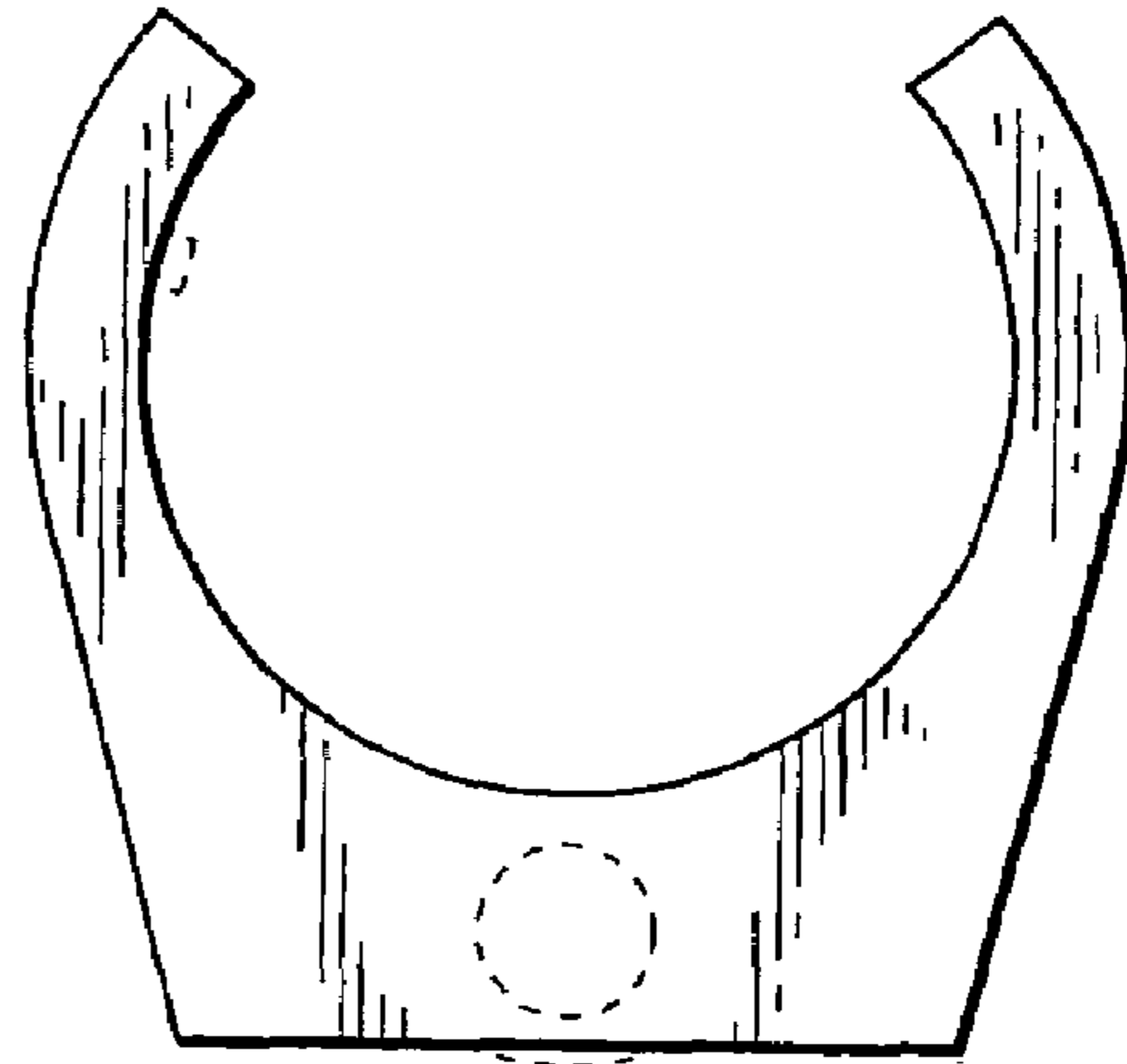


FIG. 5

