

US00D561616S

(12) **United States Design Patent**  
**Park et al.**

(10) **Patent No.:** **US D561,616 S**  
(45) **Date of Patent:** **\*\* Feb. 12, 2008**

(54) **NAVIGATION DEVICE HAVING A  
REMOVABLE HARD DISK DRIVE**

D540,203 S \* 4/2007 Jeon ..... D10/65  
D541,682 S \* 5/2007 Uno ..... D10/65  
D541,683 S \* 5/2007 Shiono ..... D10/65

(75) Inventors: **Kyung Wook Park**, Daegu-si (KR);  
**Sang Hyuk Lee**, Daegu-si (KR)

\* cited by examiner

(73) Assignee: **Fusionsoft Co., Ltd.**, Daegu-si (KR)

*Primary Examiner*—Antoine D. Davis

(\*\*) Term: **14 Years**

(74) *Attorney, Agent, or Firm*—Roberts, Mlotkowski &  
Hobbes; Thomas W. Cole

(21) Appl. No.: **29/250,610**

(57) **CLAIM**

(22) Filed: **Nov. 22, 2006**

The ornamental design for a navigation device having a  
removable hard disk drive, as shown and described.

(30) **Foreign Application Priority Data**

**DESCRIPTION**

Jul. 3, 2006 (KR) ..... 10-2006-0061922

FIG. 1 is a perspective view of a navigation device having  
a removable hard disk drive showing my new design;

(51) **LOC (8) Cl.** ..... **10-04**

FIG. 2 is a front elevational view thereof;

(52) **U.S. Cl.** ..... **D10/65**

FIG. 3 is a rear elevational view thereof;

(58) **Field of Classification Search** ..... D10/65;

FIG. 4 is a left side elevational view thereof;

342/351, 419, 457, 357.06–567.13; 343/702;

FIG. 5 is a right side elevational view thereof;

345/87, 104, 133, 156, 168, 173, 901–905,

FIG. 6 is a top plan view thereof;

345/180, 184, 315, 739, 444, 499; 701/206–209,

FIG. 7 is a bottom plan view thereof;

701/213, 214

See application file for complete search history.

FIG. 8 is a perspective view thereof with the supporter in the  
unfolded position; and,

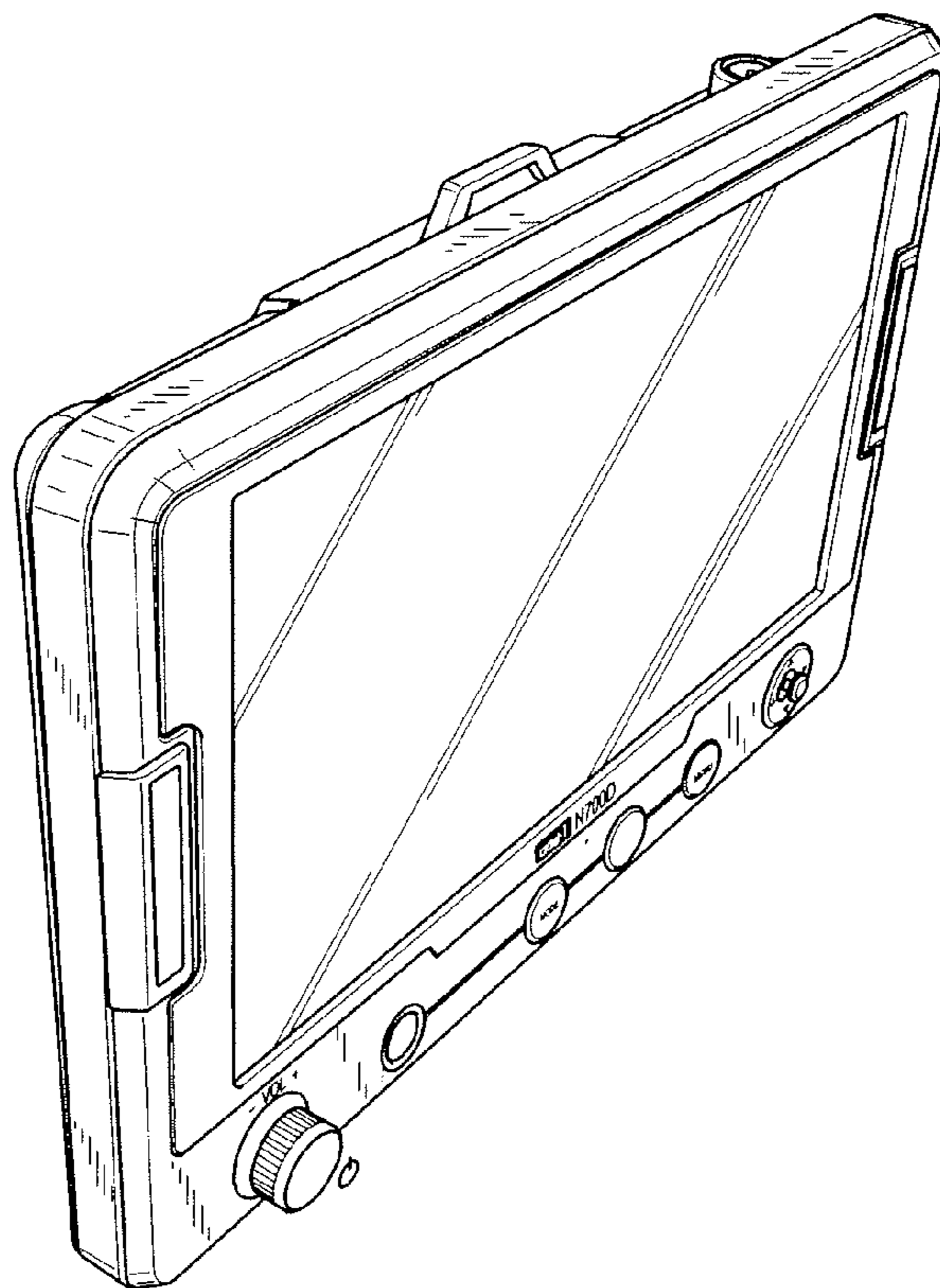
(56) **References Cited**

FIG. 9 is a perspective view thereof with the hard disk drive  
in the removing condition.

**U.S. PATENT DOCUMENTS**

D467,512 S \* 12/2002 Miyazaki ..... D10/65  
D506,937 S \* 7/2005 Lee et al. .... D10/65  
D514,003 S \* 1/2006 Kim ..... D10/65

**1 Claim, 6 Drawing Sheets**



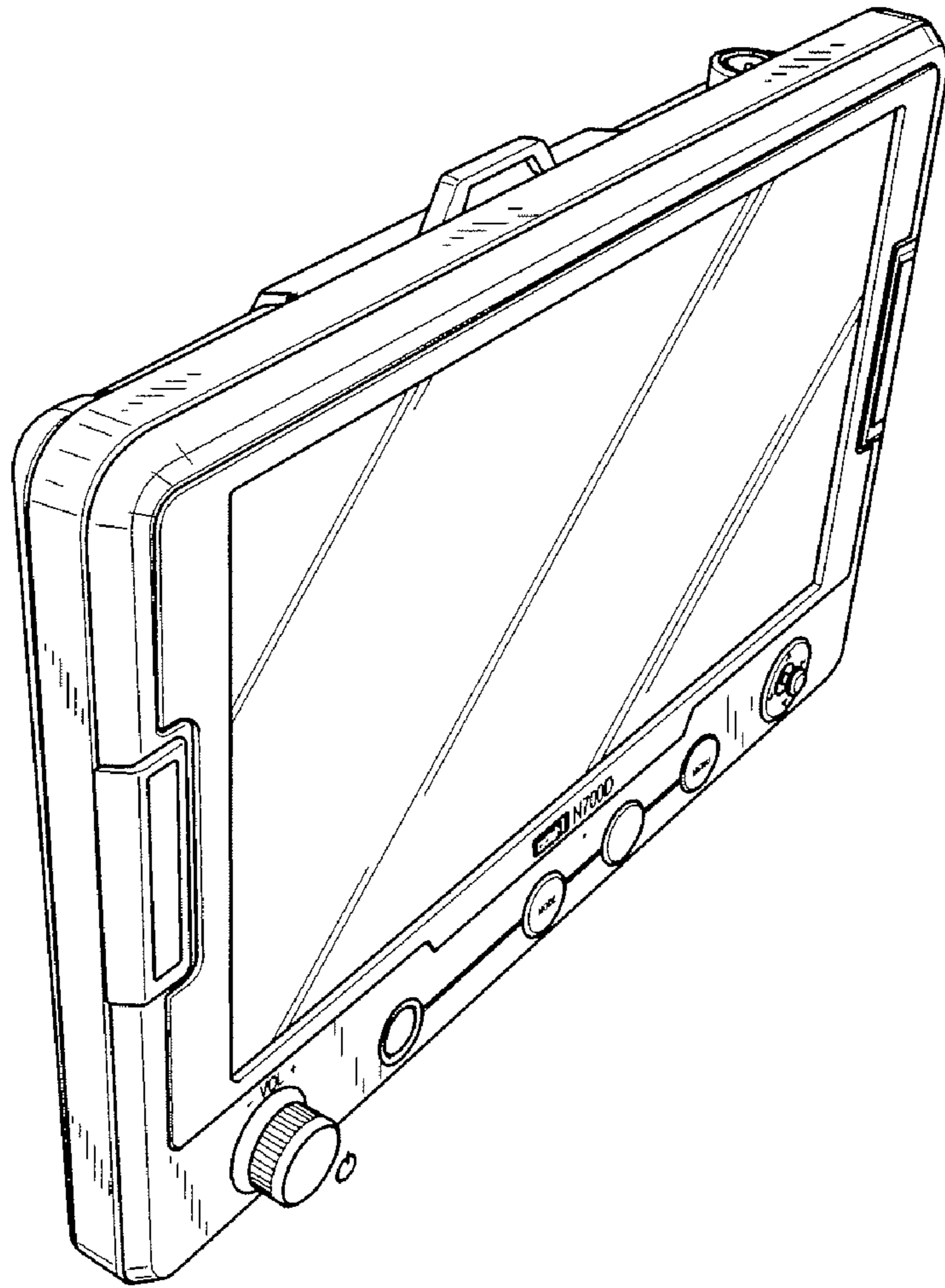


FIG. 1

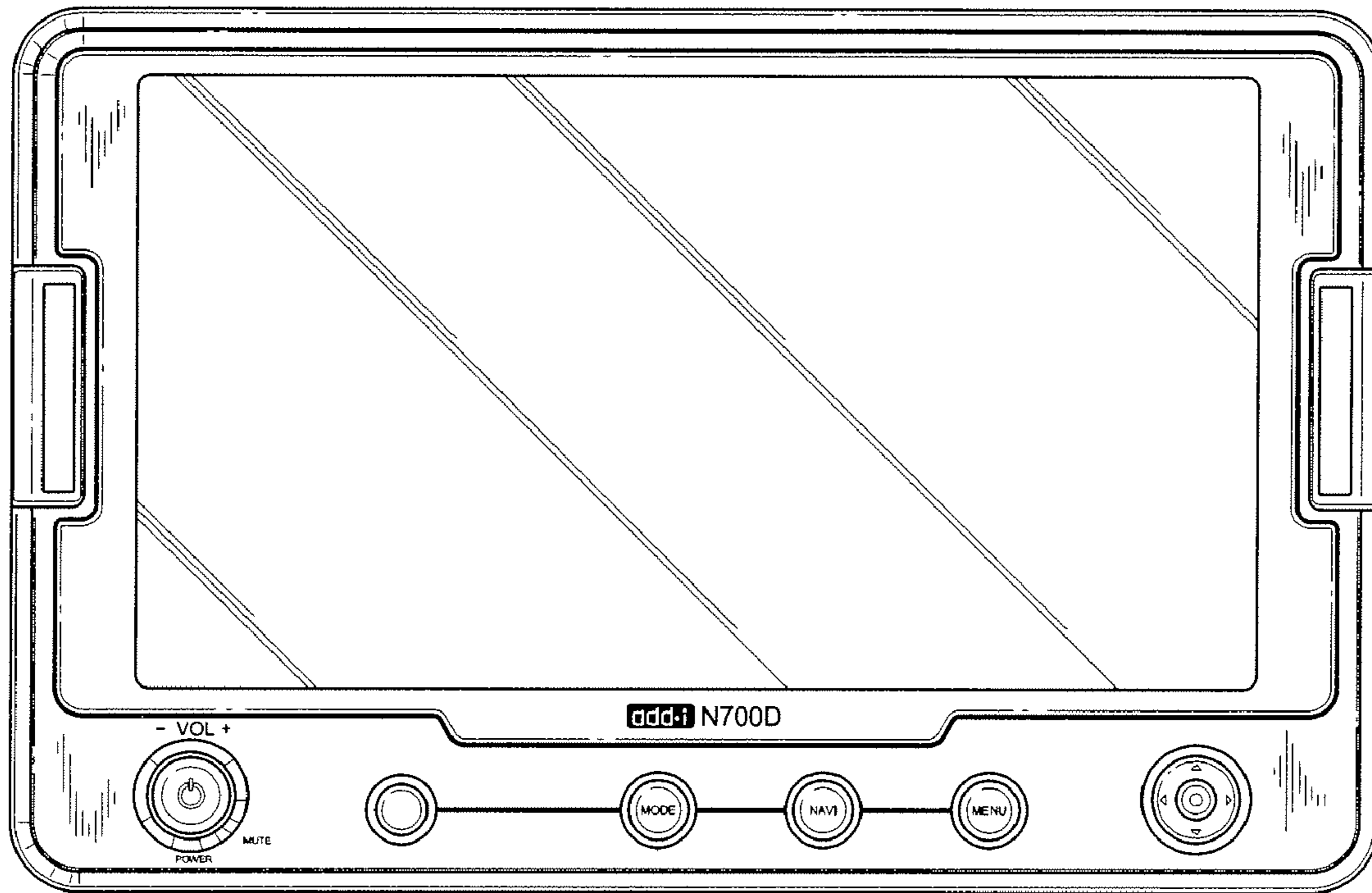


FIG. 2

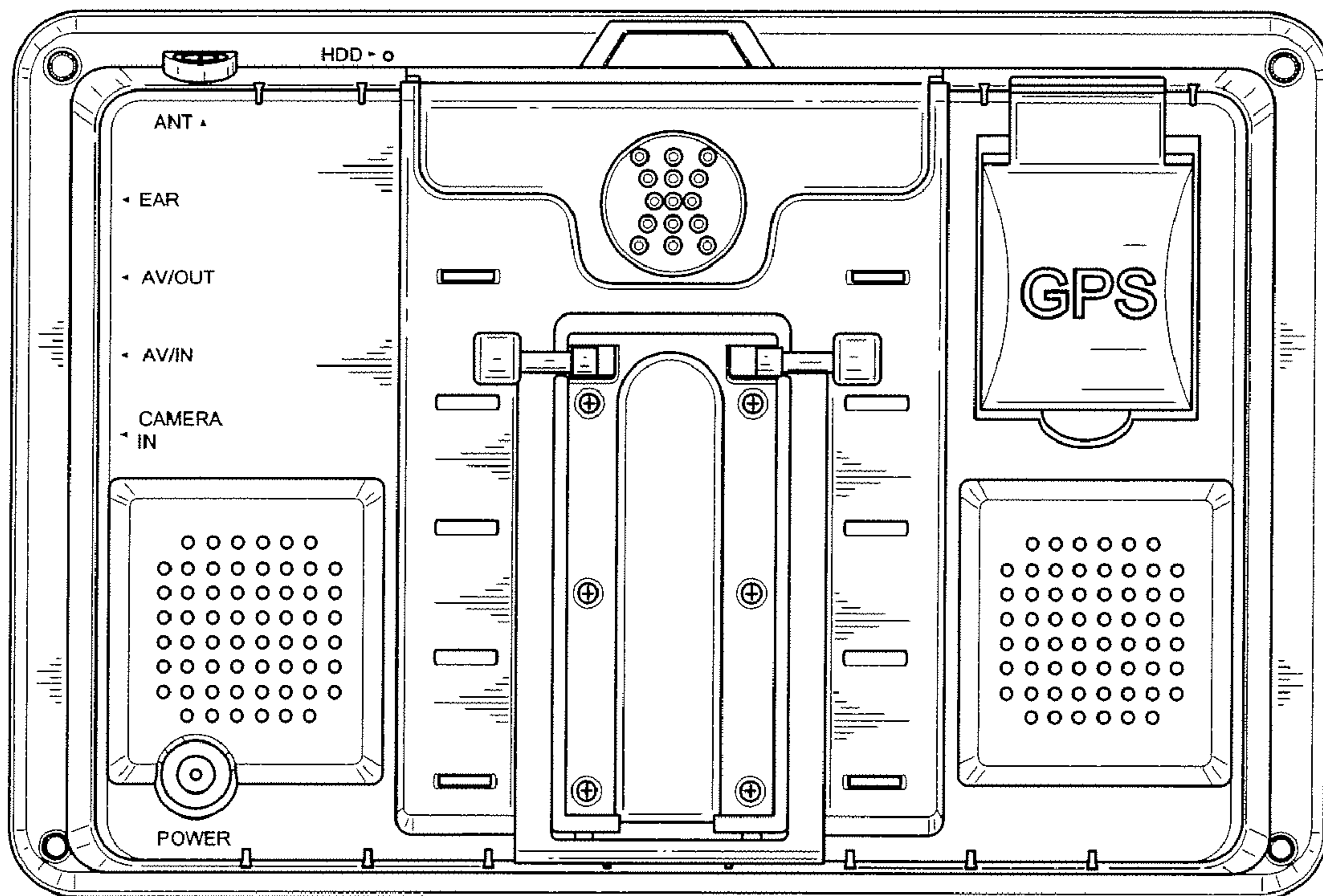


FIG. 3

FIG. 4

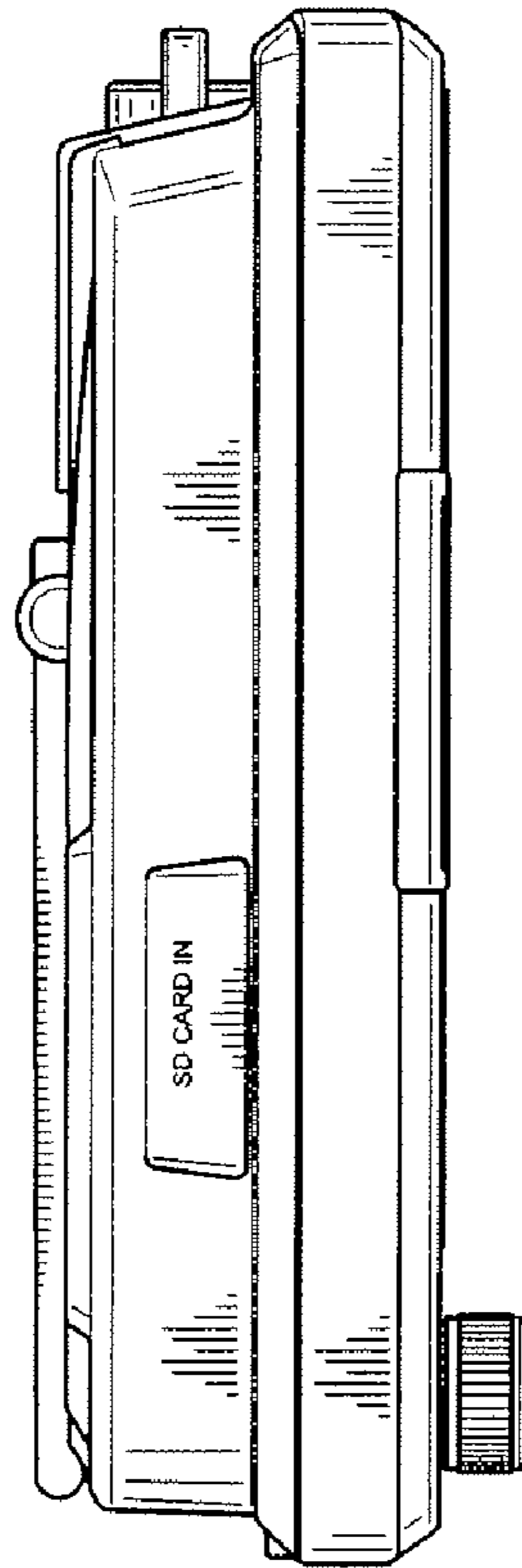
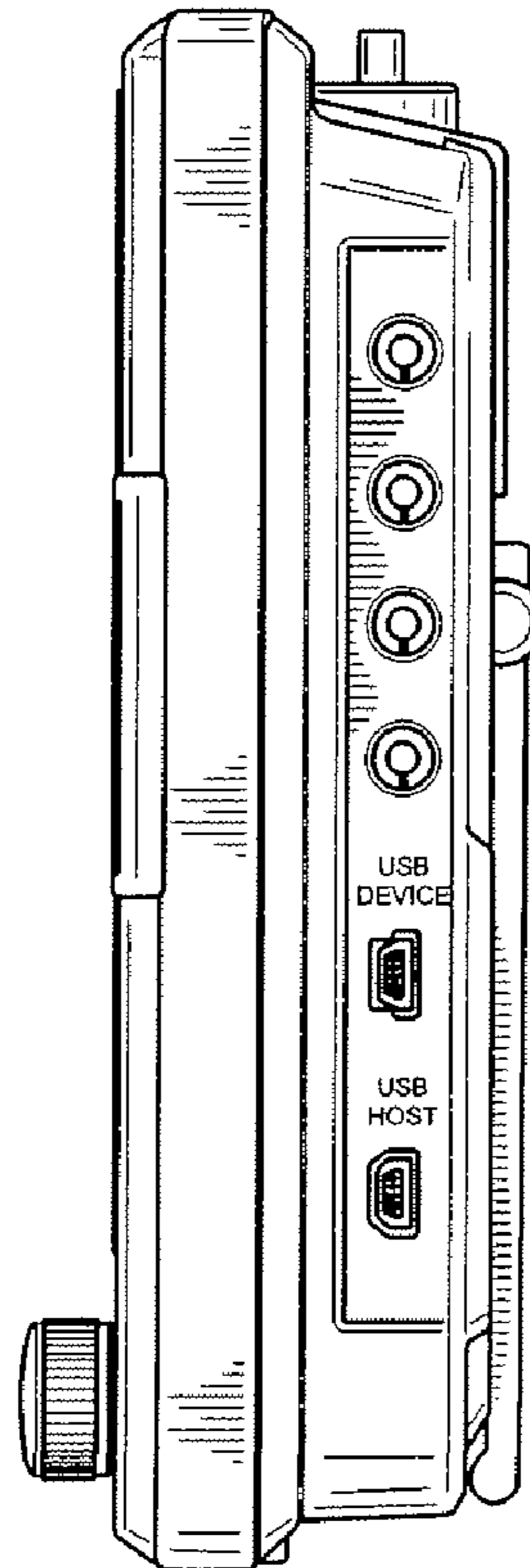


FIG. 5





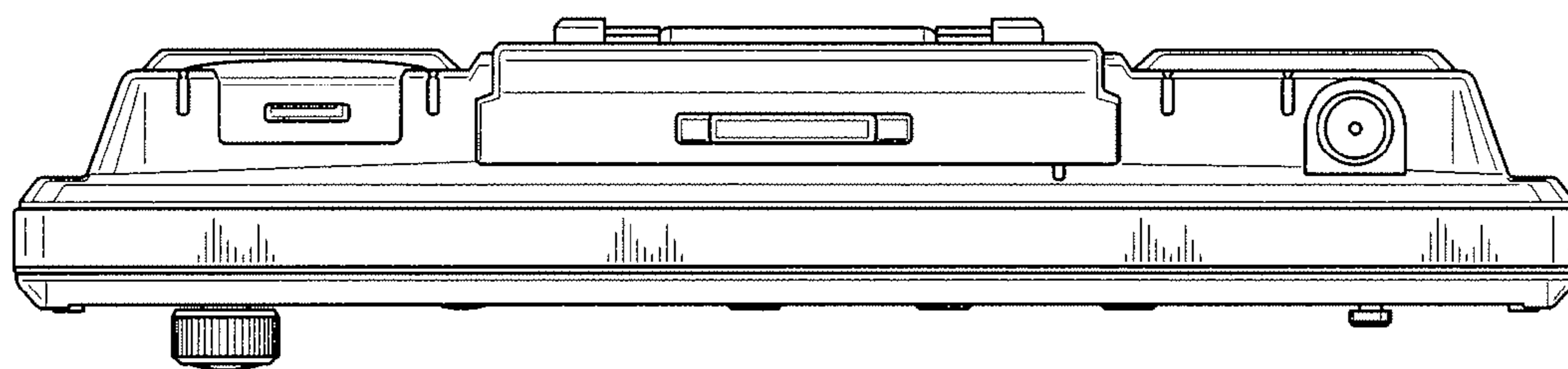


FIG. 6

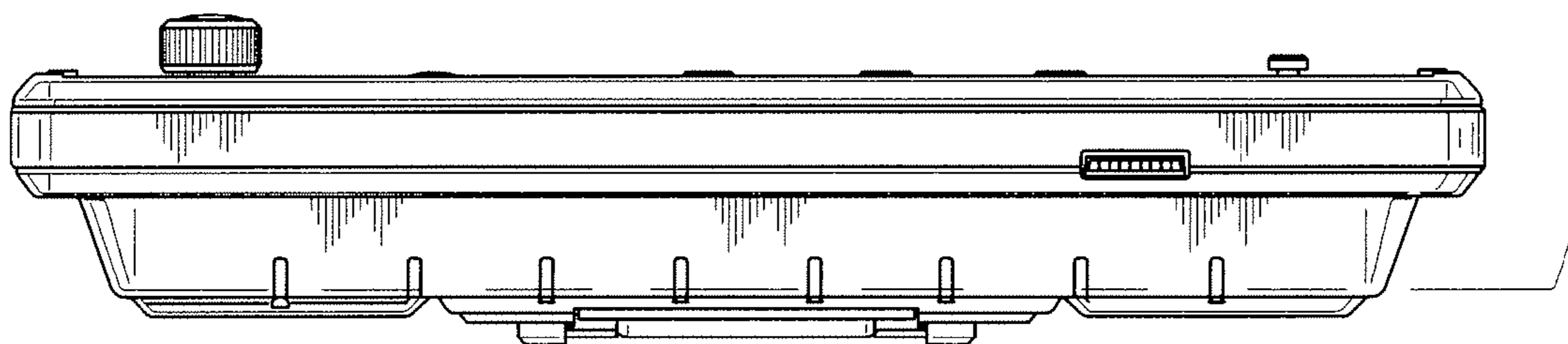


FIG. 7

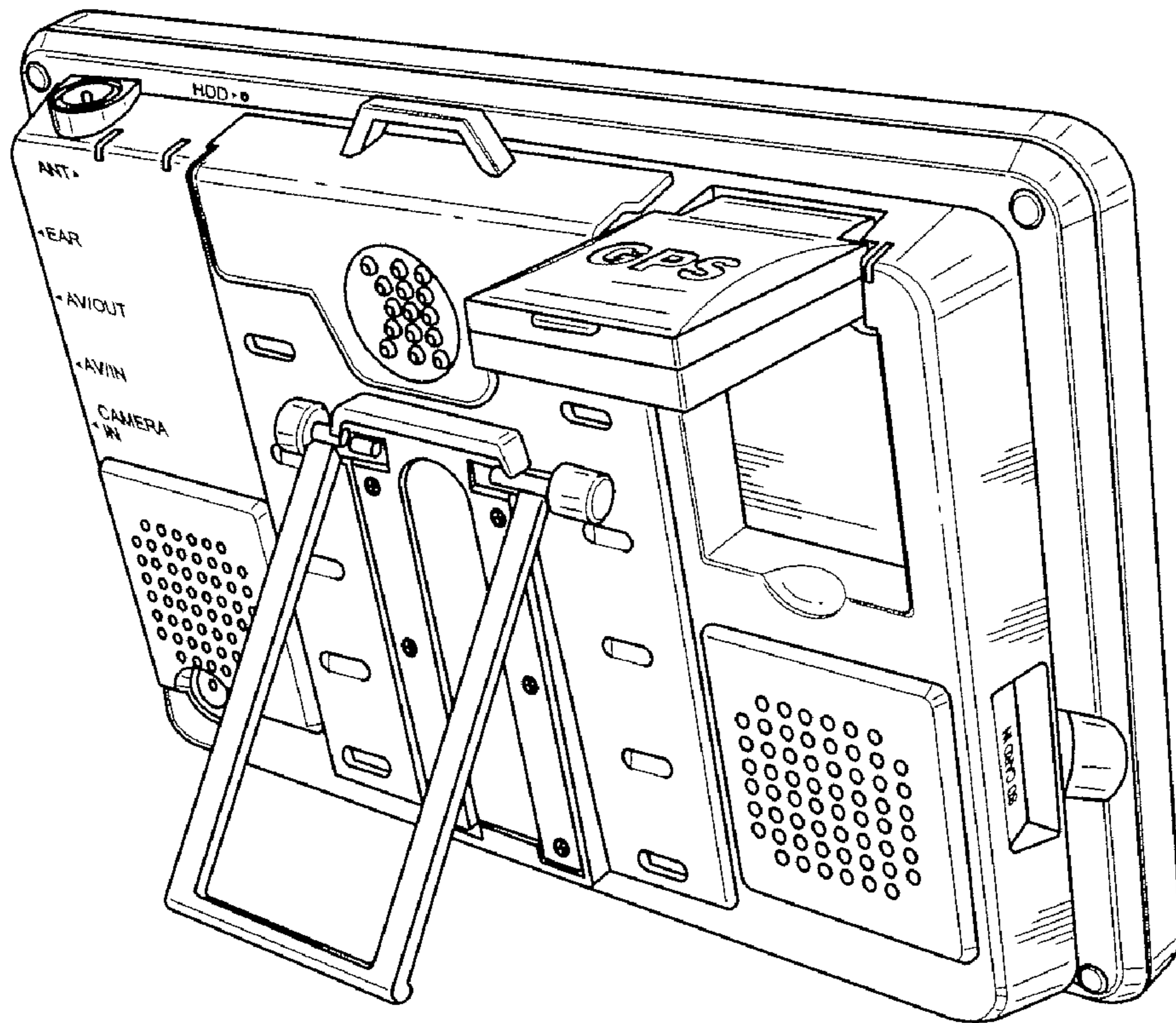


FIG. 8

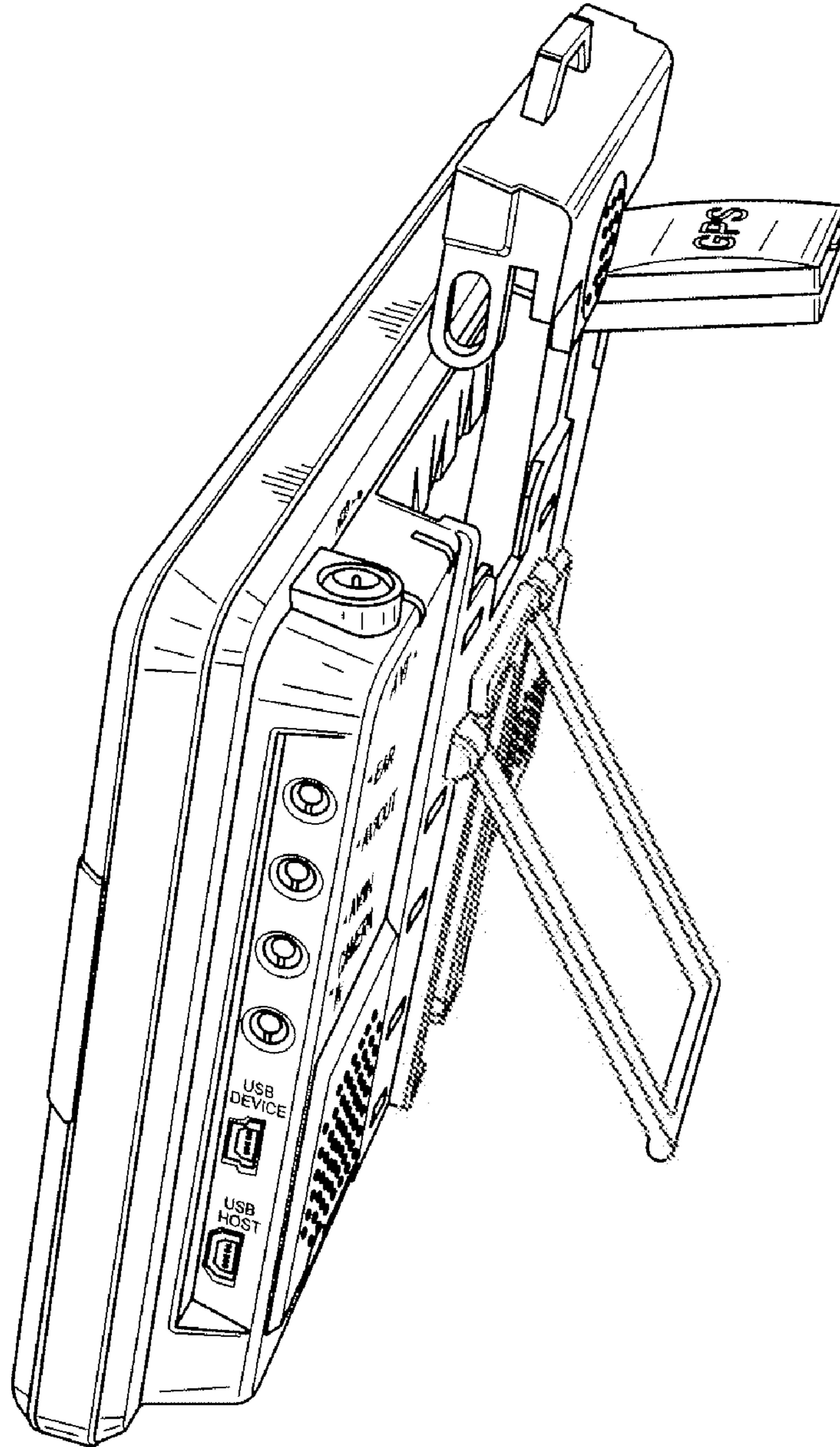


FIG. 9