



US00D561612S

(12) **United States Design Patent**
Finazzi

(10) **Patent No.:** **US D561,612 S**

(45) **Date of Patent:** **** Feb. 12, 2008**

(54) **WATCH CASE**

(76) **Inventor:** **Pierre-Andre Finazzi**, Rue du
Commerce 17, La Chaux-de-Fonds
(CH) 2300

(**) **Term:** **14 Years**

(21) **Appl. No.:** **29/281,009**

(22) **Filed:** **Jun. 13, 2007**

(51) **LOC (8) Cl.** **10-02**

(52) **U.S. Cl.** **D10/38**

(58) **Field of Classification Search** D10/30-39,
D10/131; 368/276, 281, 282, 285, 80, 223,
368/228, 232, 308, 288, 319, 21, 28
See application file for complete search history.

(56) **References Cited**

U.S. PATENT DOCUMENTS

2,362,245	A *	11/1944	Cohen	368/190
D295,841	S *	5/1988	Kano	D10/39
D410,199	S *	5/1999	Calvani	D10/39
D415,694	S *	10/1999	Fichter	D10/30
D433,639	S *	11/2000	Bodino	D10/32
6,200,019	B1 *	3/2001	Latini	368/289
D447,699	S *	9/2001	Ramos, Jr.	D10/30
D488,075	S *	4/2004	Bertucci	D10/30
D488,388	S *	4/2004	Bertucci	D10/30
D488,724	S *	4/2004	Bertucci	D10/30

D508,212	S *	8/2005	Scheufele	D10/39
6,980,488	B2 *	12/2005	Schneider	368/37
D531,524	S *	11/2006	Behling	D10/38
D537,737	S *	3/2007	Galli	D10/31

* cited by examiner

Primary Examiner—Lucy Lieberman

(74) *Attorney, Agent, or Firm*—Galbreath Law Office, P.C.;
John A. Galbreath

(57) **CLAIM**

The ornamental design for a watch case, as shown and described.

DESCRIPTION

FIG. 1 is a top view of the invention;

FIG. 2 is a bottom view of the invention;

FIG. 3 is a perspective view of the invention;

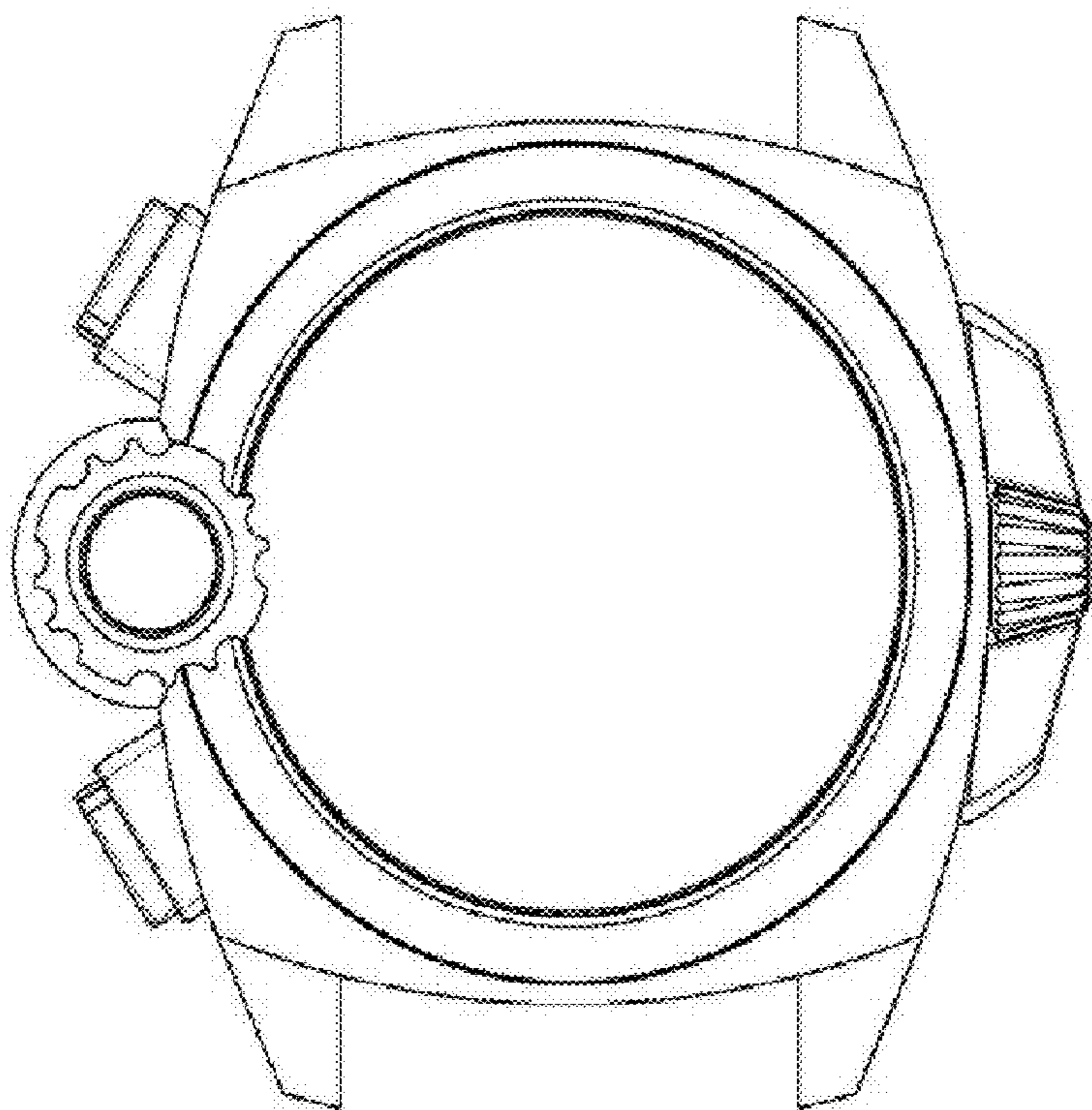
FIG. 4 is a side view of the invention;

FIG. 5 is another side view of the invention, showing the side opposite that shown in FIG. 4;

FIG. 6 is a back view of the invention, showing one watch band-attachment surface; and,

FIG. 7 is a front view of the invention, showing the watch band-attachment surface opposite that shown in FIG. 6.

1 Claim, 1 Drawing Sheet



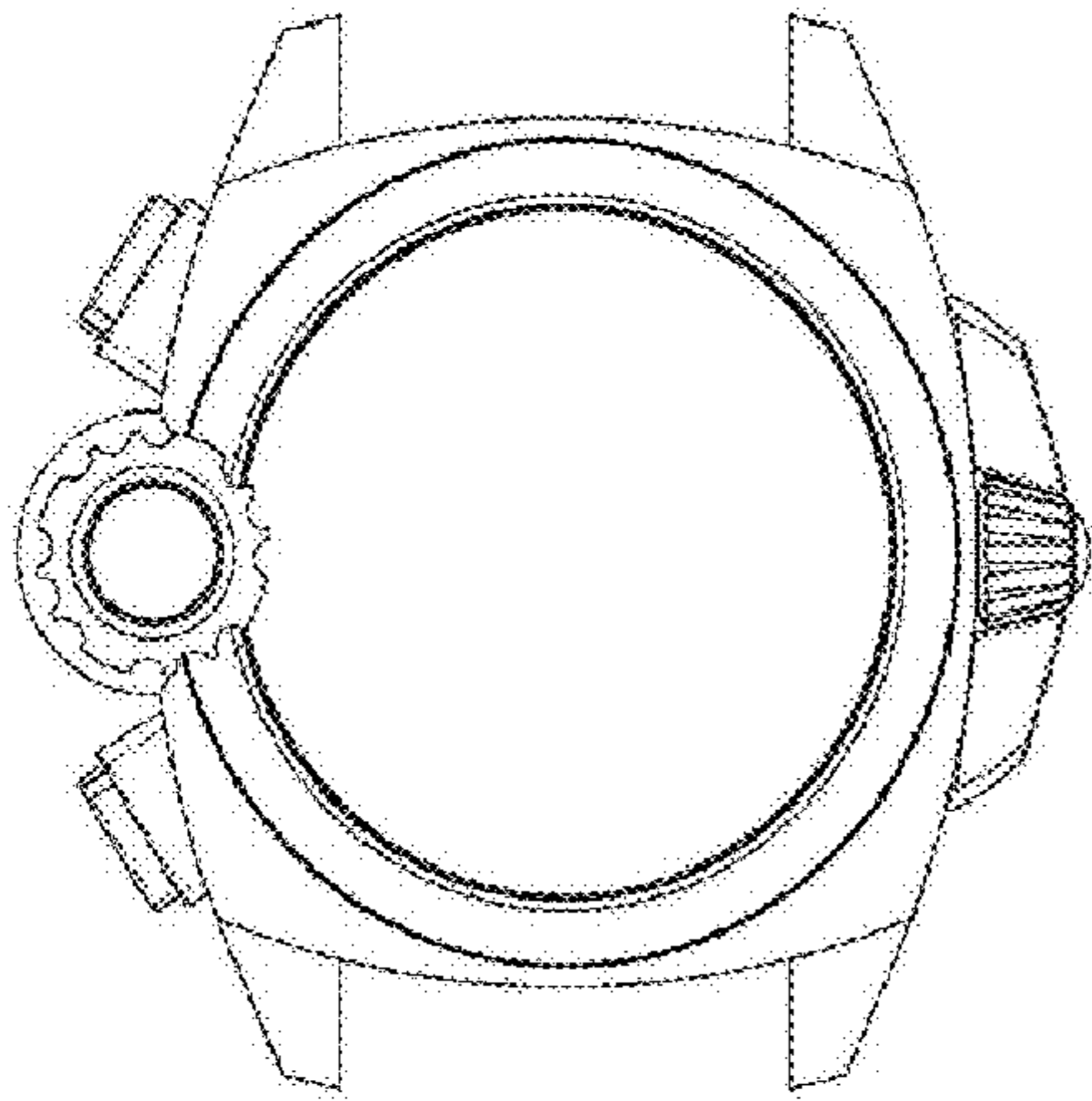


Fig. 1

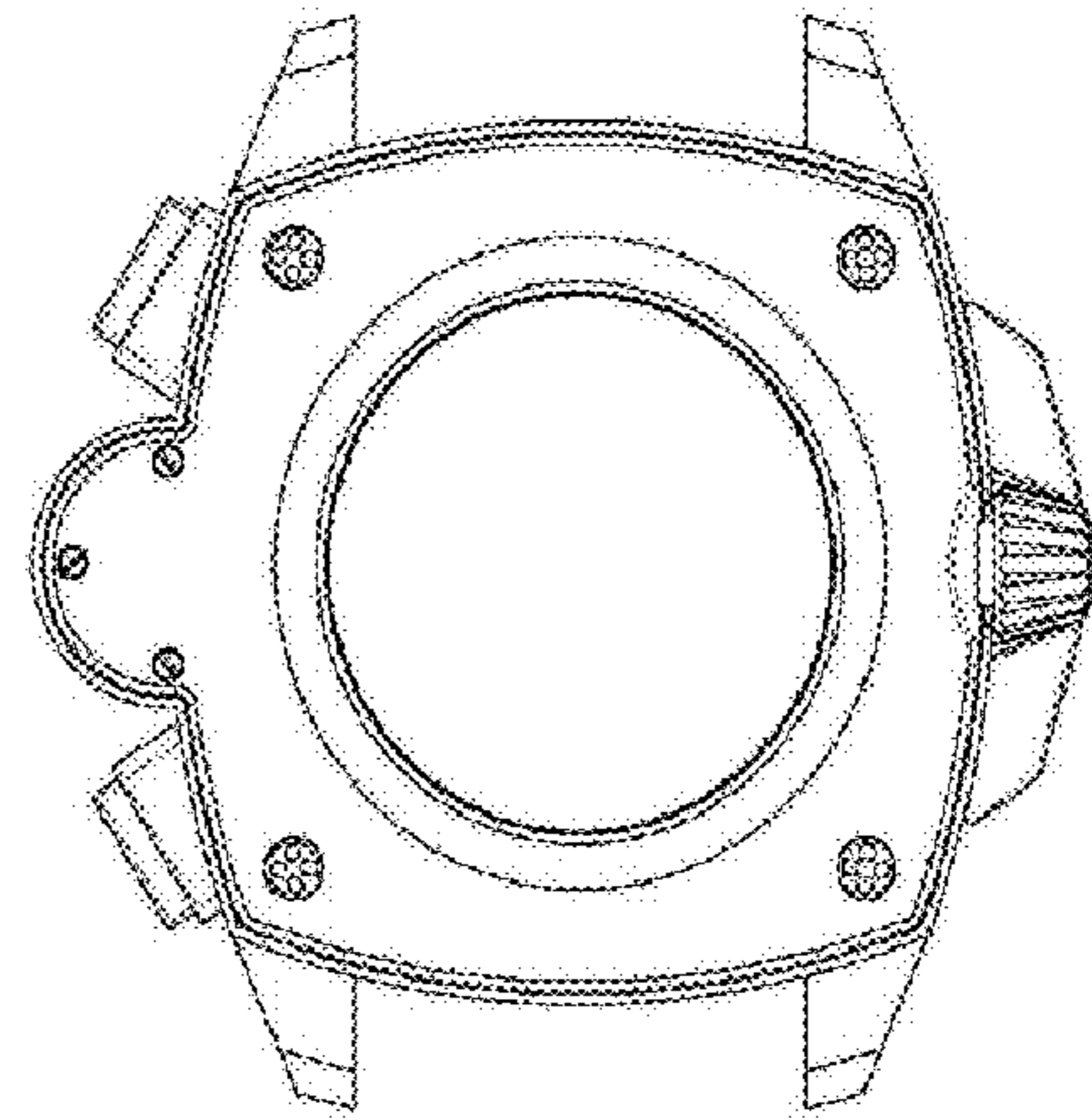


Fig. 2

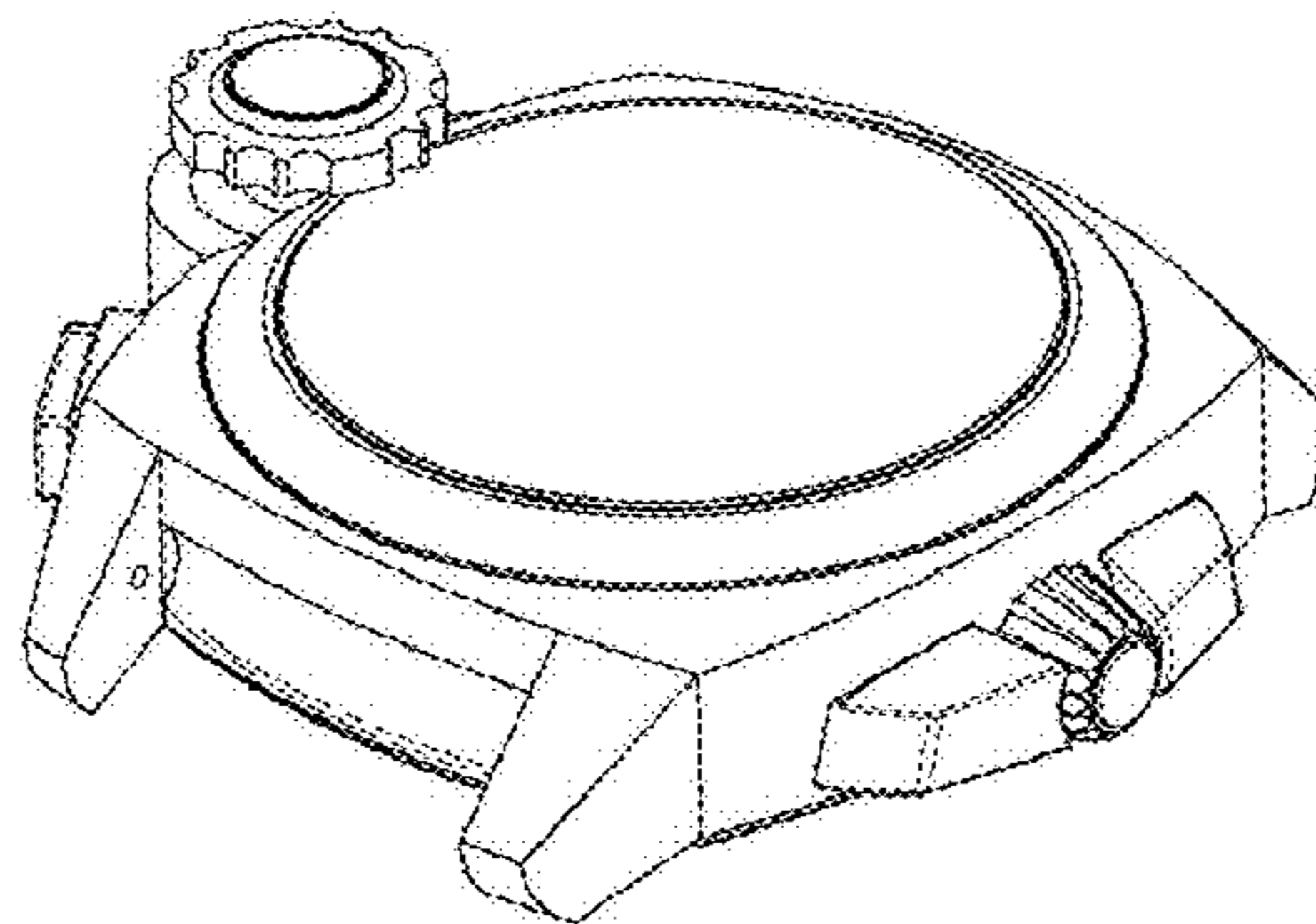


Fig. 3

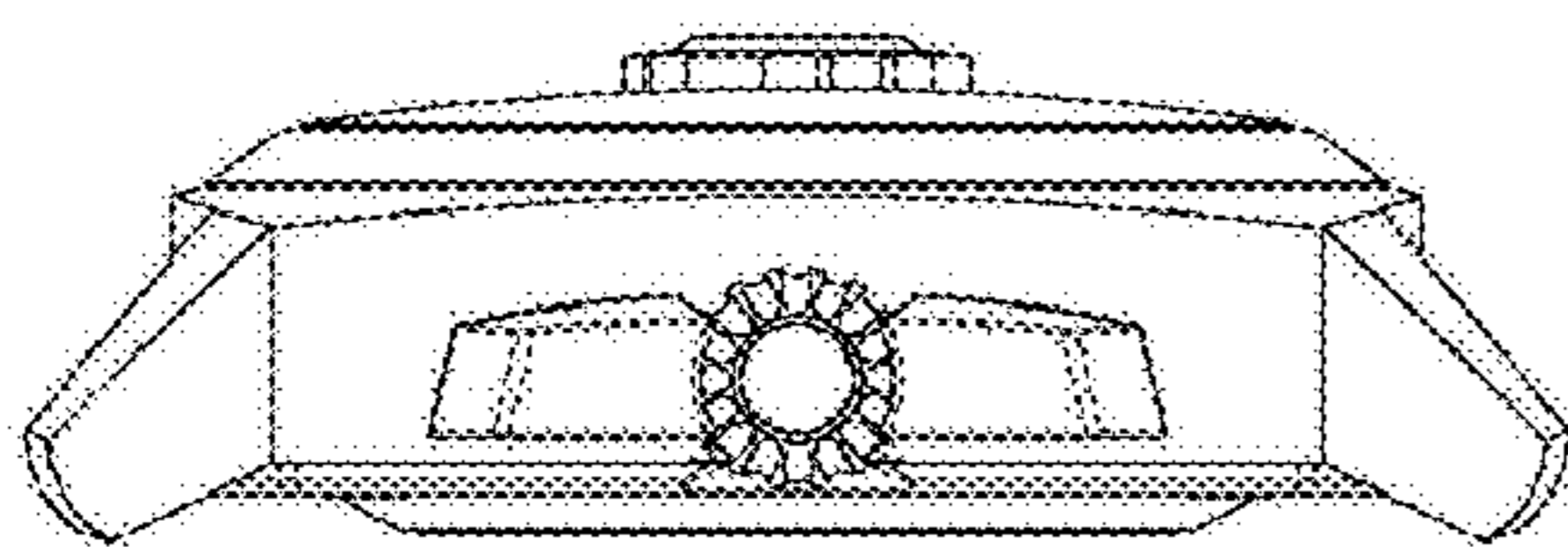


Fig. 4

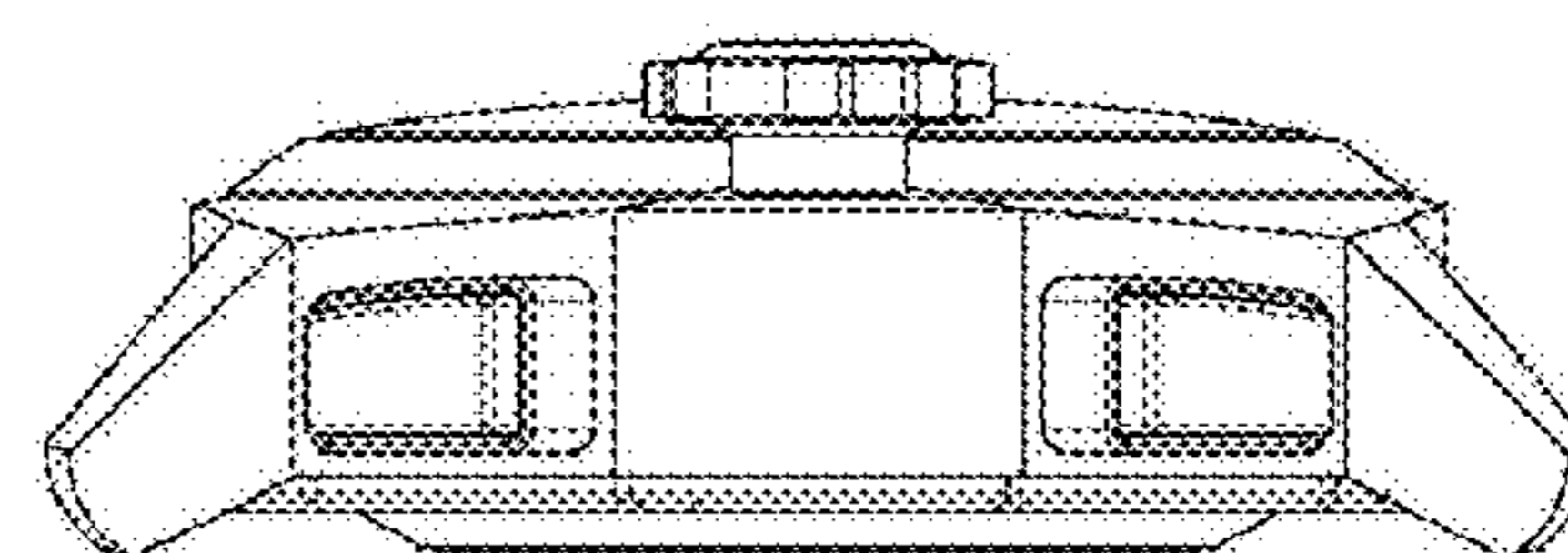


Fig. 5

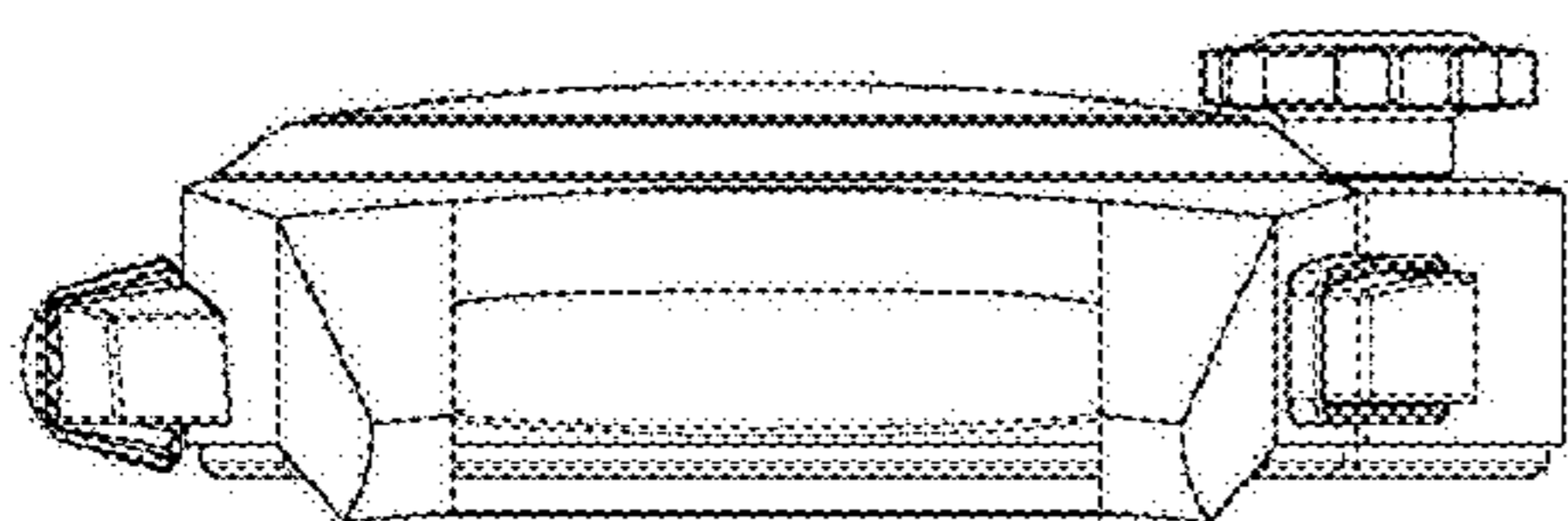


Fig. 6

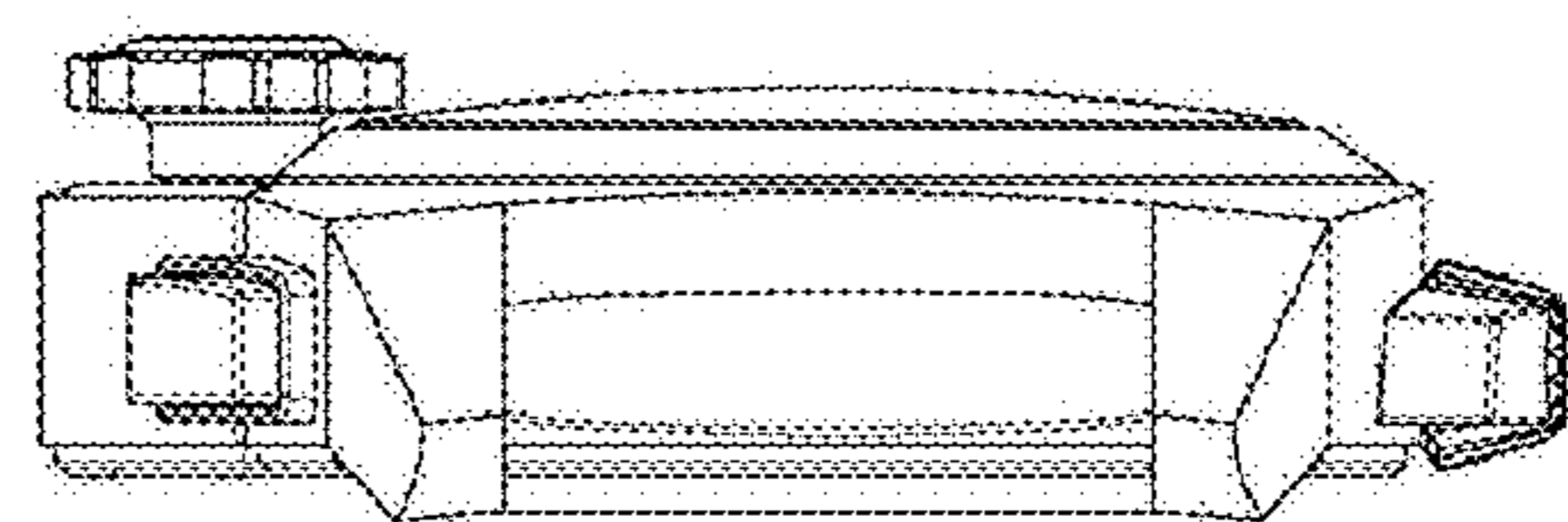


Fig. 7