



US00D561610S

(12) **United States Design Patent**
Renaldi et al.

(10) **Patent No.:** **US D561,610 S**
(45) **Date of Patent:** **** Feb. 12, 2008**

(54) **RAZOR TRAY**

D494,796 S * 8/2004 Dansreau et al. D6/526

(75) Inventors: **Frank Renaldi**, Seymour, CT (US);
Wes Rhoad, Hamden, CT (US)

* cited by examiner

(73) Assignee: **Eveready Battery Company, Inc.**, St.
Louis, MO (US)

Primary Examiner—Stella M. Reid

Assistant Examiner—Mark Goodwin

(74) *Attorney, Agent, or Firm*—Michaud-Duffy Group LLP

(**) Term: **14 Years**

(57) **CLAIM**

(21) Appl. No.: **29/273,763**

The ornamental design for a razor tray, as shown and described.

(22) Filed: **Mar. 12, 2007**

(51) **LOC (8) Cl.** **09-03**

(52) **U.S. Cl.** **D9/749**

(58) **Field of Classification Search** D9/415,
D9/416, 737, 748, 749, 430-432; D3/201,
D3/205; D6/512, 526; D28/73; 220/608;
206/351, 352, 372, 581, 354-360, 208, 228,
206/493, 775, 240

See application file for complete search history.

(56) **References Cited**

U.S. PATENT DOCUMENTS

D256,995 S * 9/1980 Kiraly D9/749
D258,270 S * 2/1981 Gray D9/749
5,457,887 A * 10/1995 Grange 30/541
D364,060 S * 11/1995 Lai D6/526
D433,187 S * 10/2000 Dettman D28/44

DESCRIPTION

FIG. 1 is a top isometric view of the razor tray showing our new design.

FIG. 2 is a bottom isometric view of the razor tray.

FIG. 3 is a top plan view of the razor tray.

FIG. 4 is a bottom view of the razor tray

FIG. 5 is a left side view of FIG. 3.

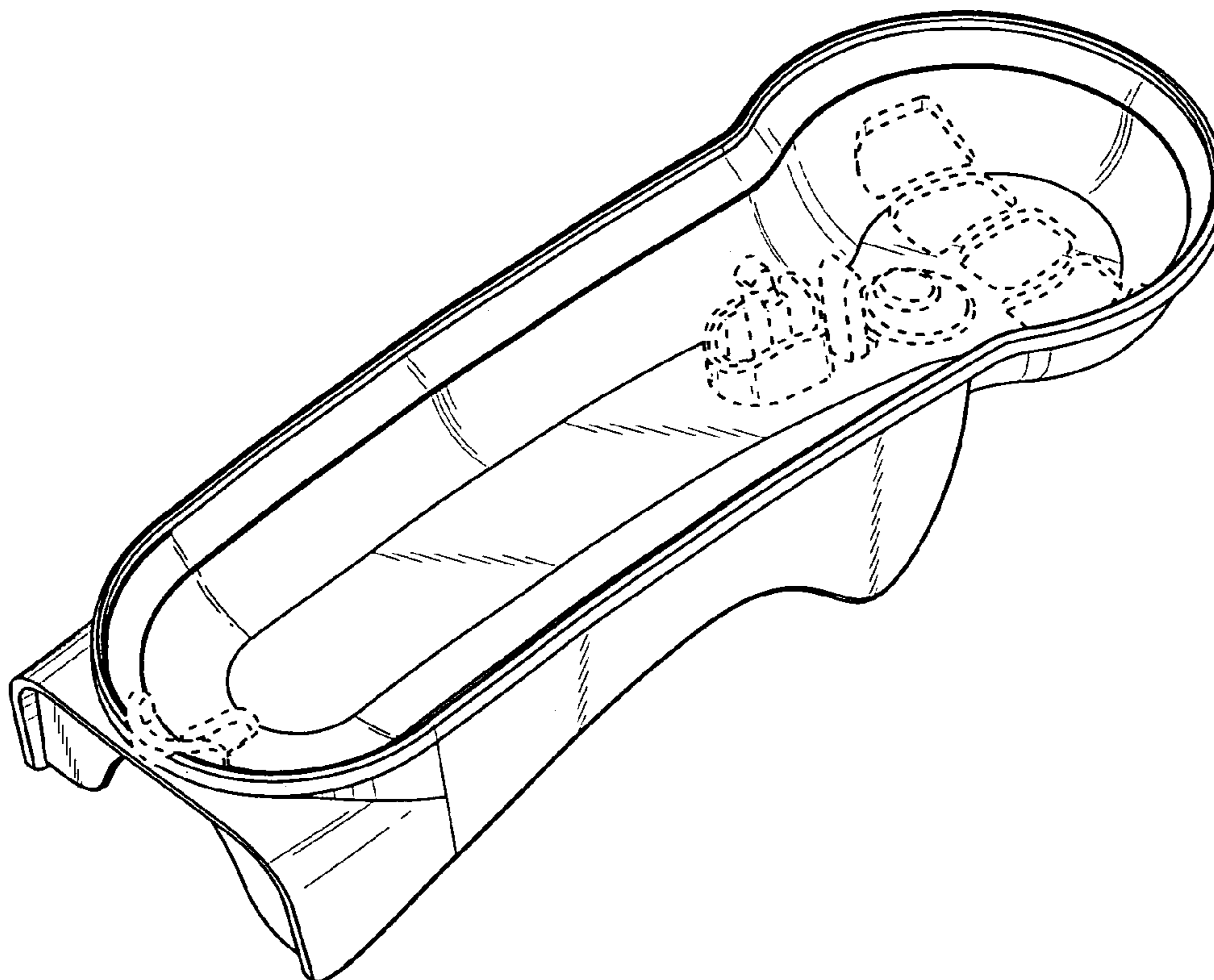
FIG. 6 is a right side view of FIG. 3.

FIG. 7 is a lower end view of FIG. 3; and,

FIG. 8 is an upper end view of FIG. 3.

The broken lines are shown for illustrative purposes only and form no part of the claimed design.

1 Claim, 5 Drawing Sheets



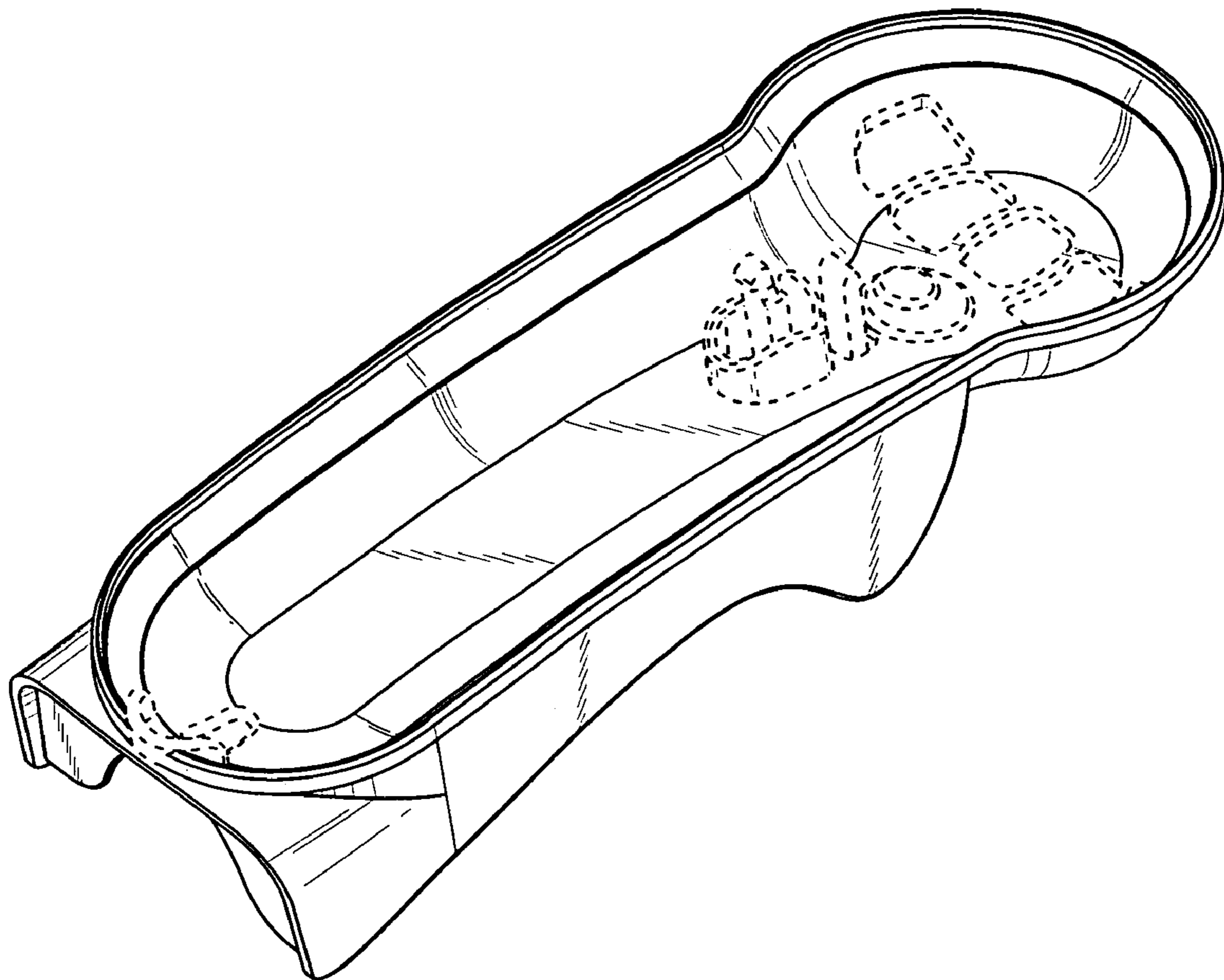


Fig. 1

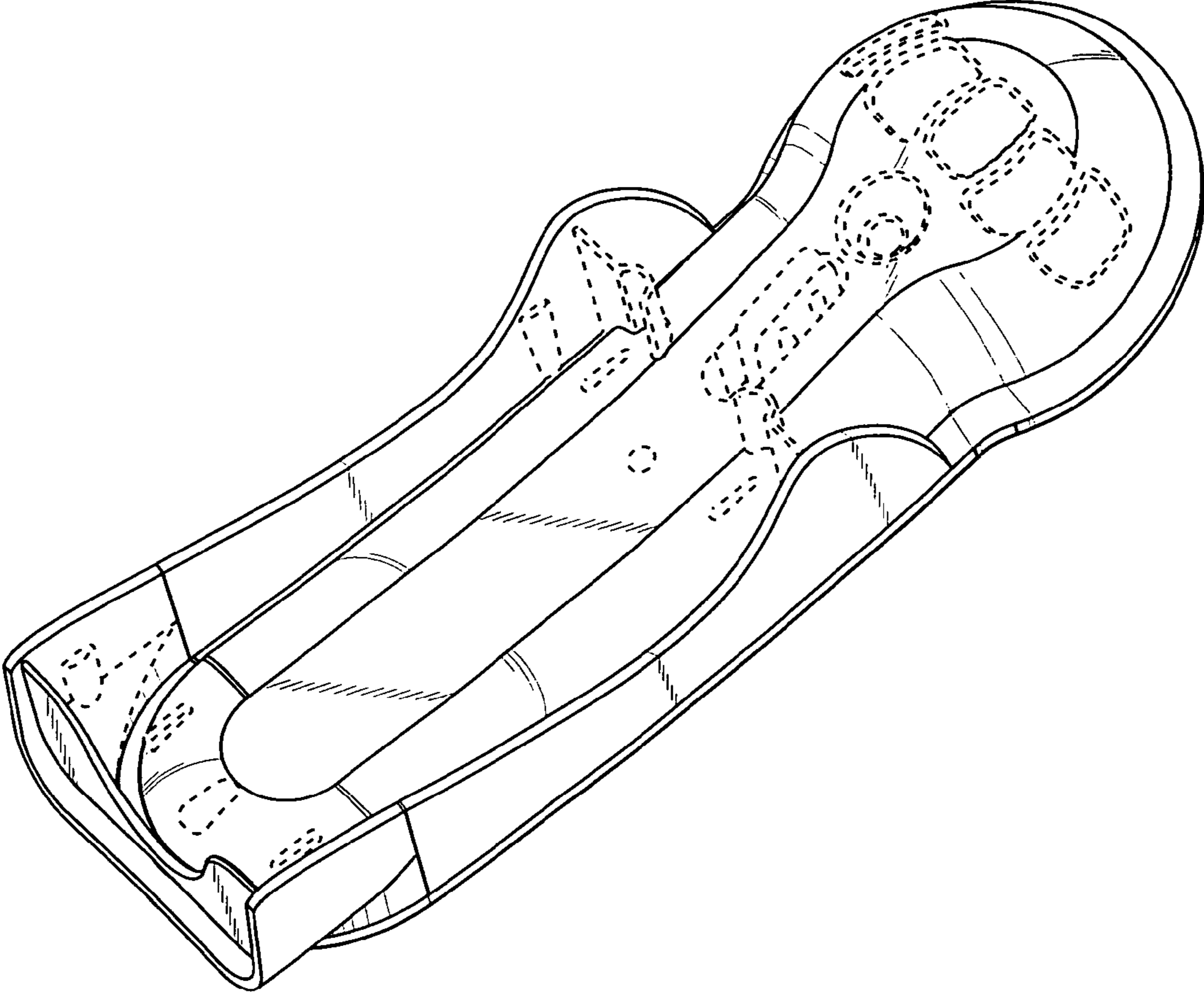


Fig. 2

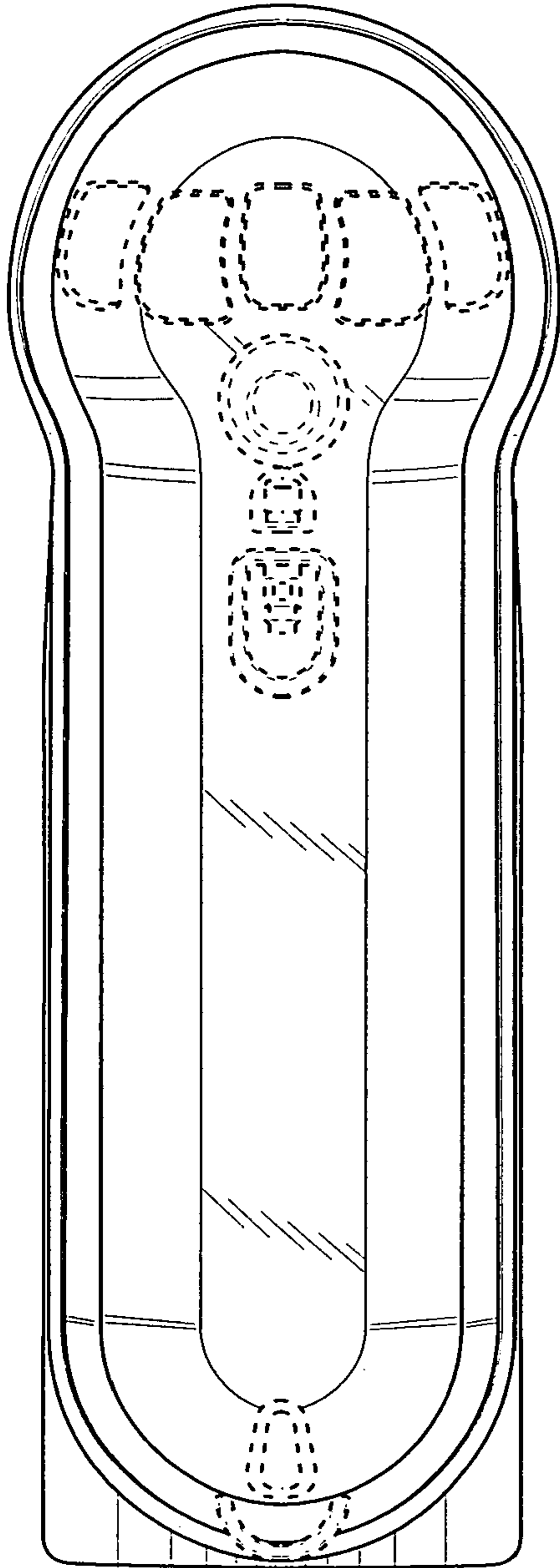


Fig. 3

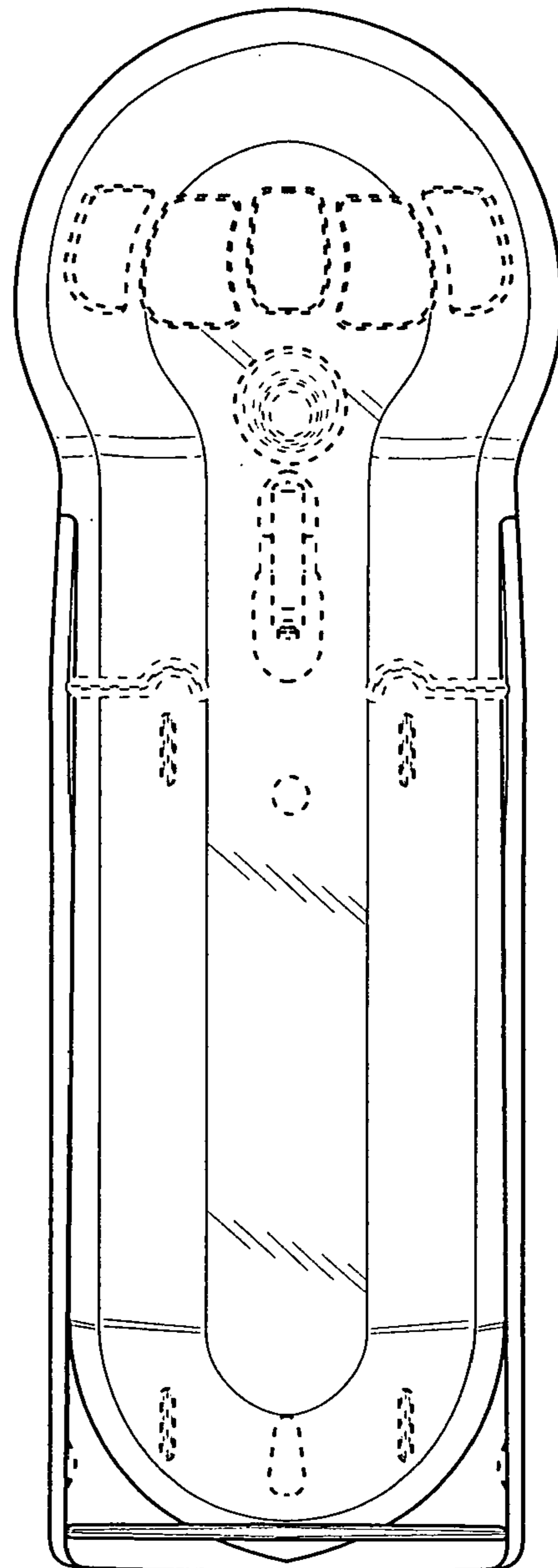


Fig. 4

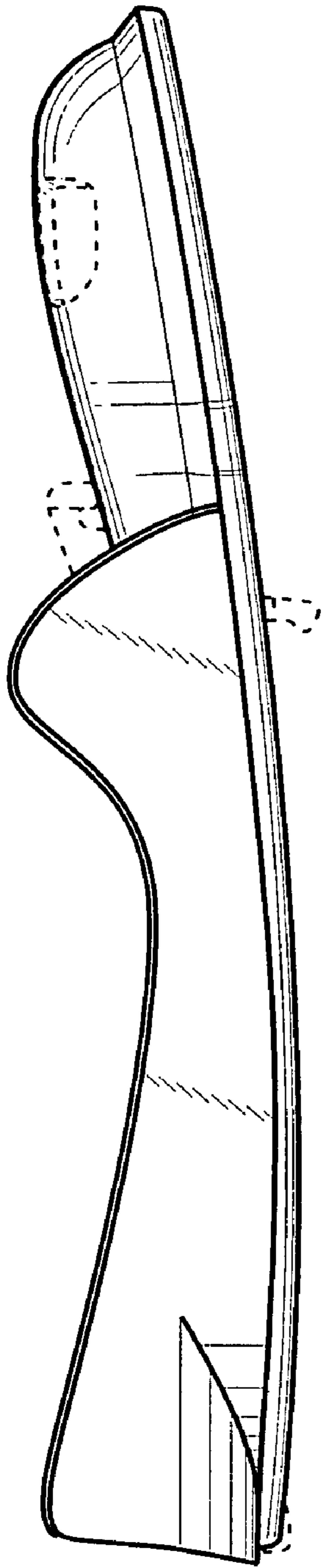


Fig. 5

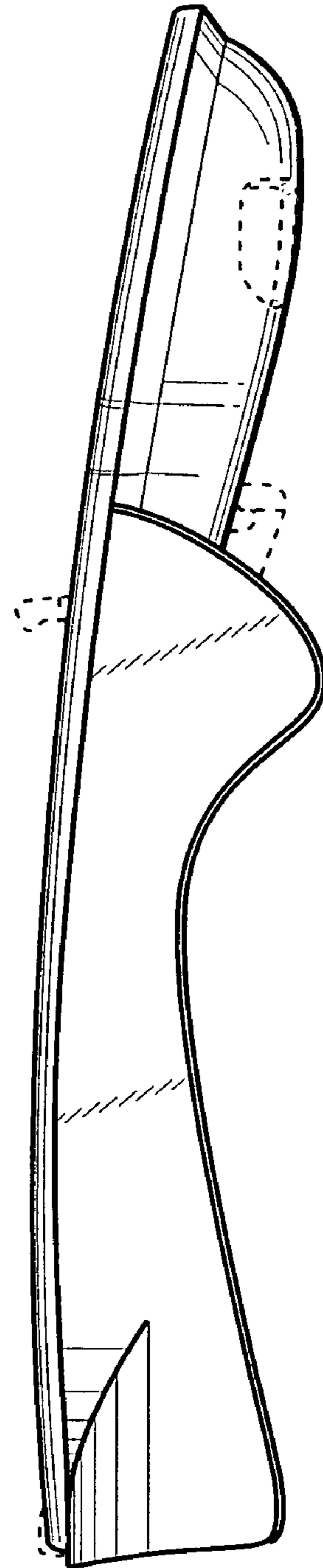


Fig. 6

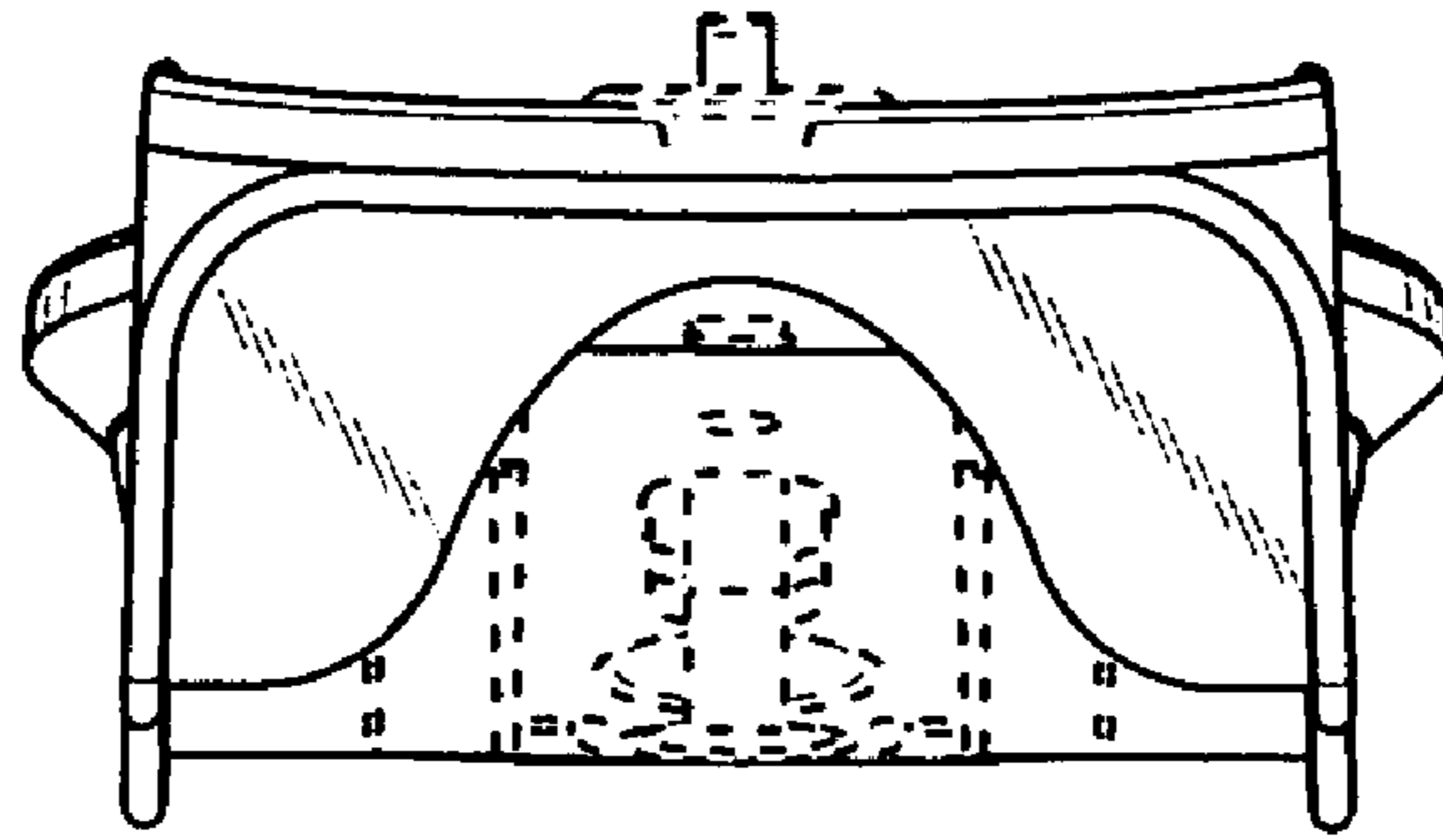


Fig. 7

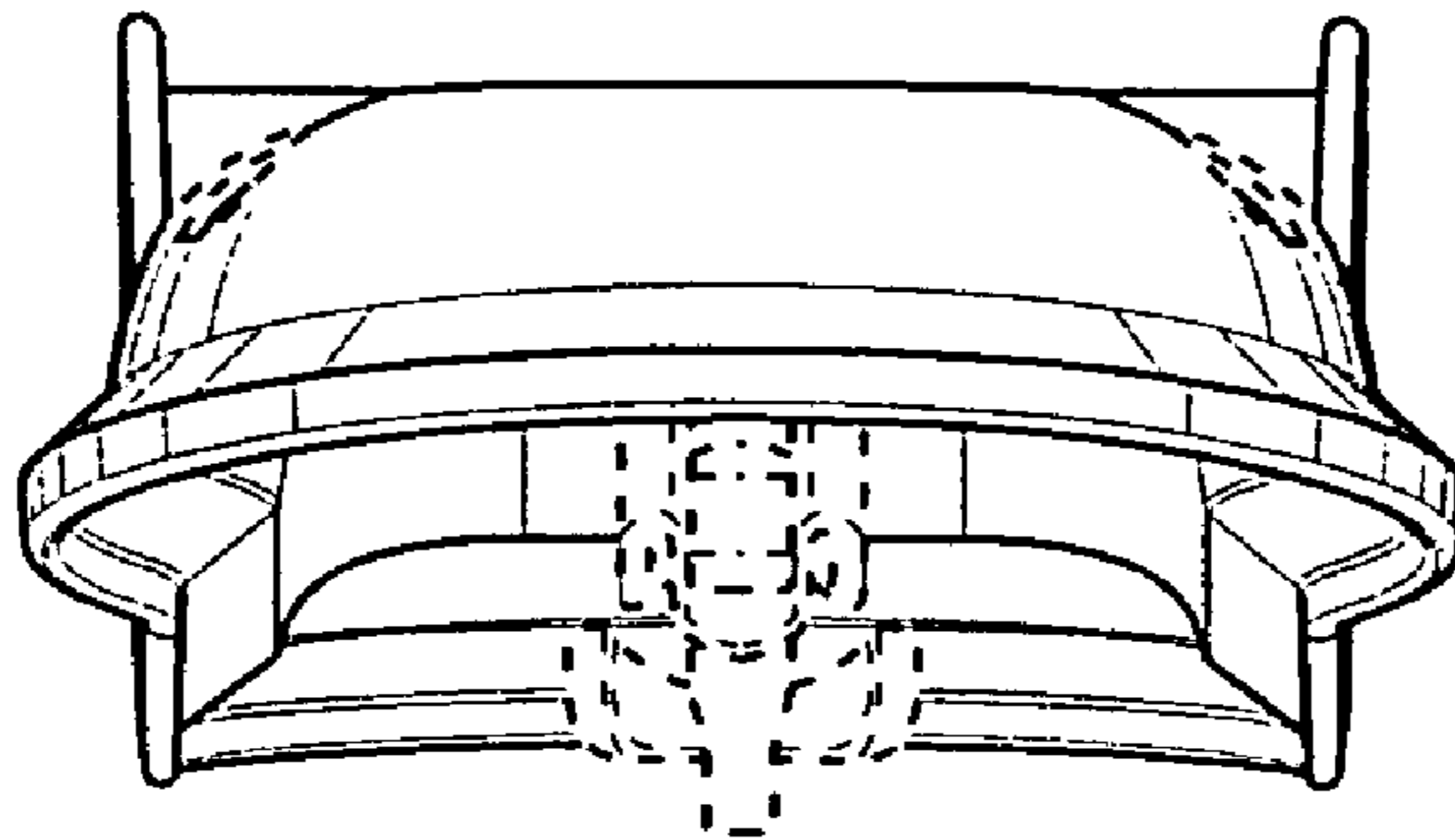


Fig. 8