



US00D561609S

(12) **United States Design Patent**  
**McMorris**

(10) **Patent No.:** **US D561,609 S**

(45) **Date of Patent:** **\*\* Feb. 12, 2008**

(54) **DISPLAY CONTAINER WITH PACKETS**

D519,848 S \* 5/2006 Kirou et al. .... D9/707  
D526,573 S \* 8/2006 Ueda ..... D9/702  
D528,011 S \* 9/2006 Ueda ..... D9/702

(76) **Inventor:** **Ralph E. McMorris**, 1202 Postoffice  
St., Galveston, TX (US) 77550

\* cited by examiner

(\*\*) **Term:** **14 Years**

*Primary Examiner*—Ian Simmons

*Assistant Examiner*—Dana L Sipos

(21) **Appl. No.:** **29/236,987**

(74) *Attorney, Agent, or Firm*—Egbert Law Offices

(22) **Filed:** **Aug. 25, 2005**

(57) **CLAIM**

(51) **LOC (8) Cl.** ..... **09-01**

I claim the ornamental design for a display container with packets, as shown and described.

(52) **U.S. Cl.** ..... **D9/739; D9/754**

(58) **Field of Classification Search** ..... D9/702–703,  
D9/705, 707–710, 715, 719–721, 737–739,  
D9/751, 517, 414, 417, 430–433; 215/11.3,  
215/379–385; 220/62.21; D24/118; 383/210,  
383/210.1, 42, 59, 61.1, 61.2, 61.3, 61.4,  
383/61.5; 206/427, 429–431, 434, 466, 745  
See application file for complete search history.

**DESCRIPTION**

FIG. 1 is a top, front, left side perspective view of a display container with packets showing my new design;

FIG. 2 is a front elevational view thereof;

FIG. 3 is a rear elevational view thereof;

FIG. 4 is a right side elevational view thereof;

FIG. 5 is a left side elevational view thereof;

FIG. 6 is a top plan view thereof;

FIG. 7 is a bottom plan view thereof;

FIG. 8 is a top, front, left side perspective view of the display container in an open position with the packets removed; and,

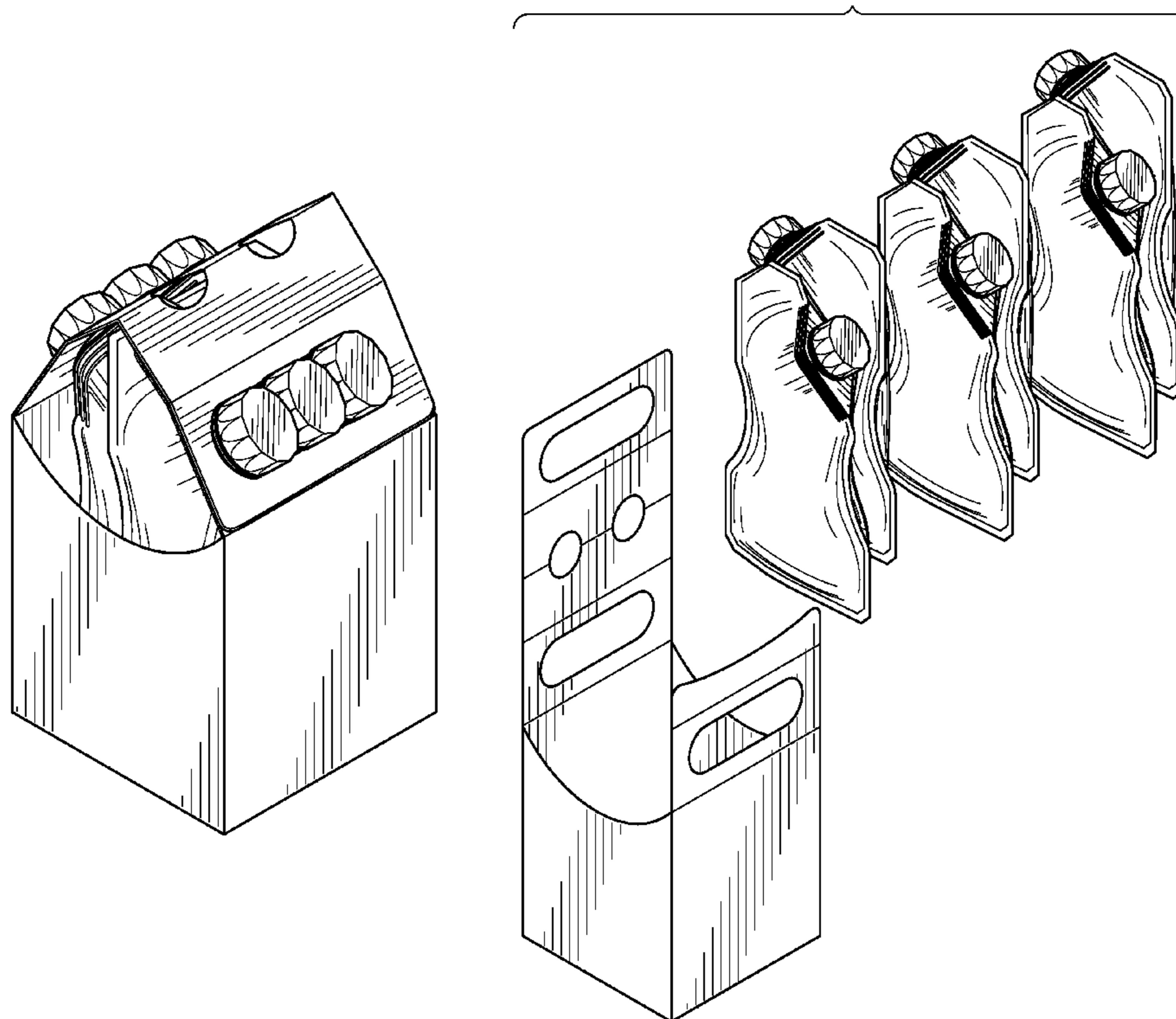
FIG. 9 is an exploded, front, left side perspective view of the display container with packets, showing the packets removed from the container.

(56) **References Cited**

**U.S. PATENT DOCUMENTS**

D134,436 S \* 11/1942 Arneson ..... D9/751  
3,002,722 A \* 10/1961 Cote ..... 248/174  
D200,500 S \* 3/1965 Schroeder ..... D9/433  
3,232,517 A \* 2/1966 Weiss ..... 229/120.26  
D247,092 S \* 1/1978 Evangelista et al. .... D9/526  
D250,573 S \* 12/1978 Evangelista et al. .... D9/526  
D271,944 S \* 12/1983 Wood ..... D9/416  
D328,431 S \* 8/1992 Skidmore et al. .... D9/523  
D385,187 S \* 10/1997 Loft ..... D9/433  
D465,726 S \* 11/2002 Tet ..... D9/708

**1 Claim, 4 Drawing Sheets**



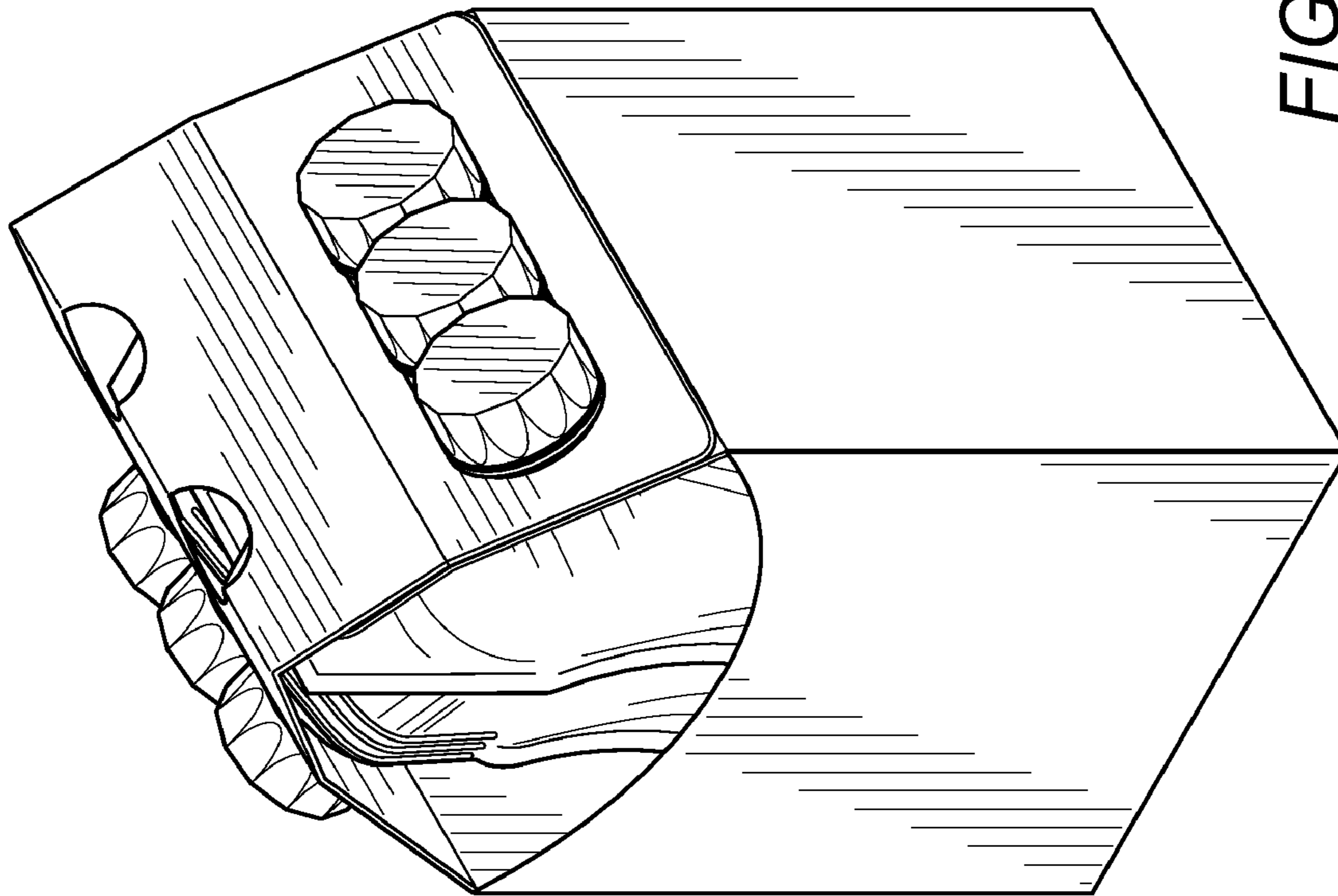


FIG. 1

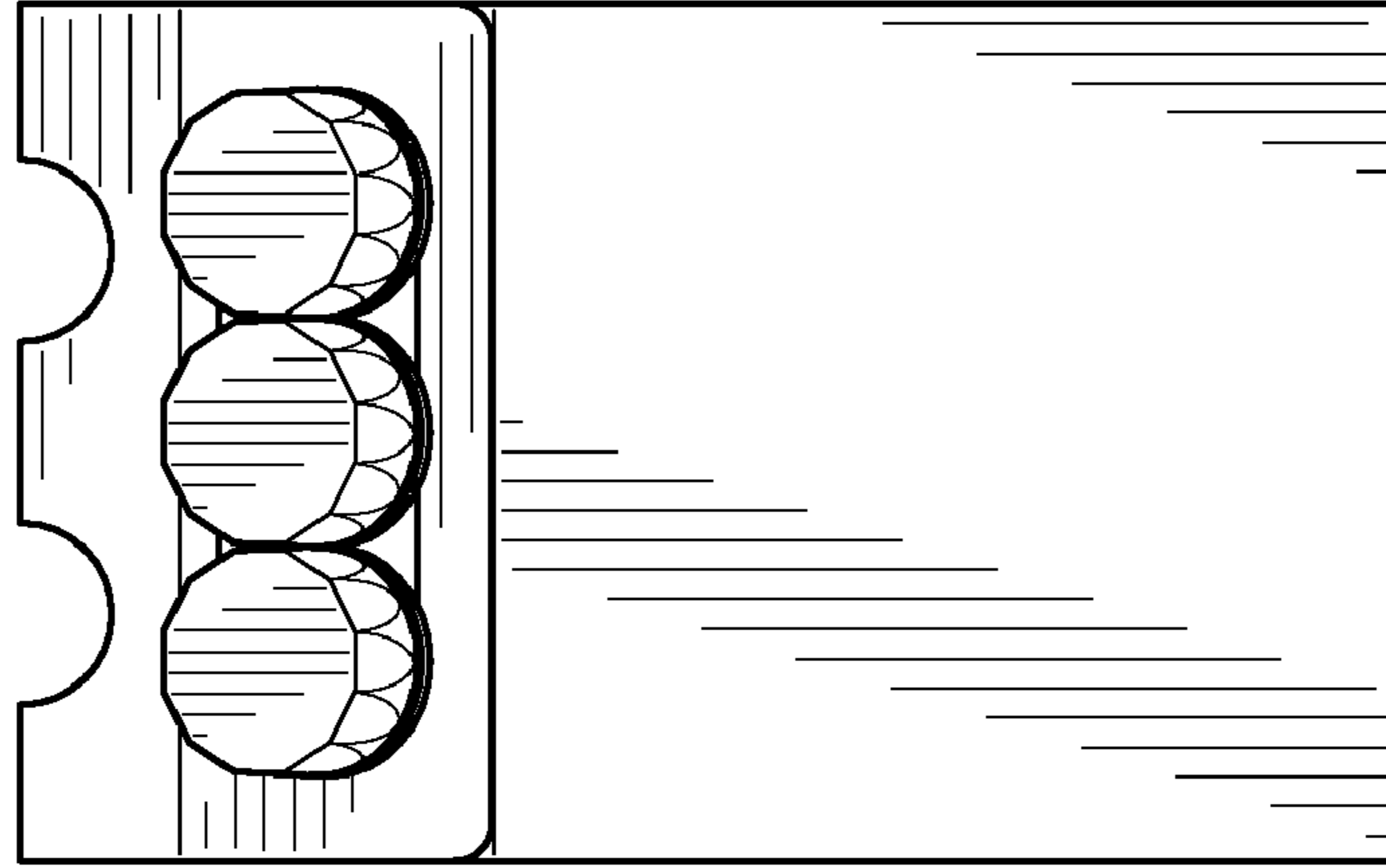


FIG. 2

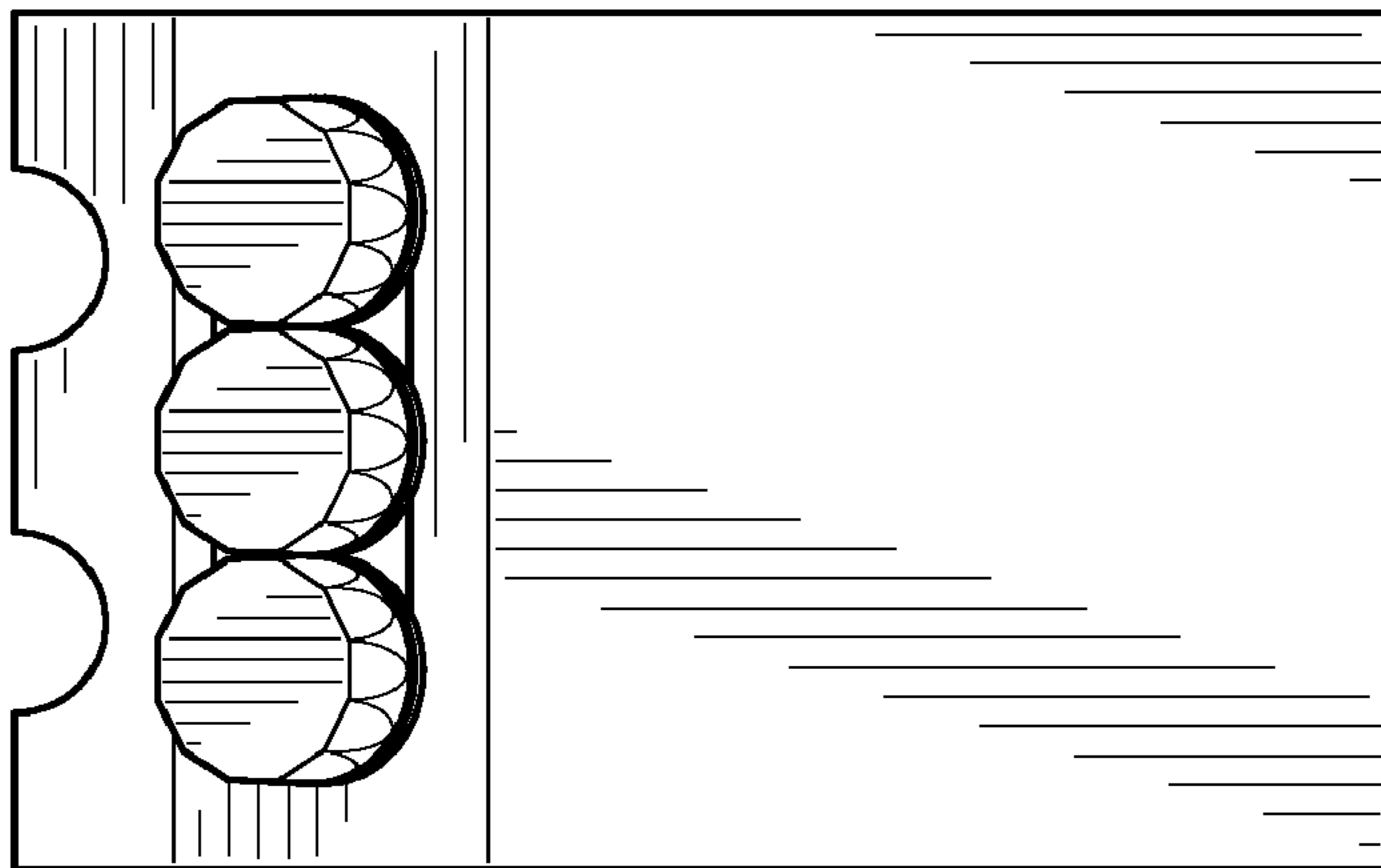


FIG. 3

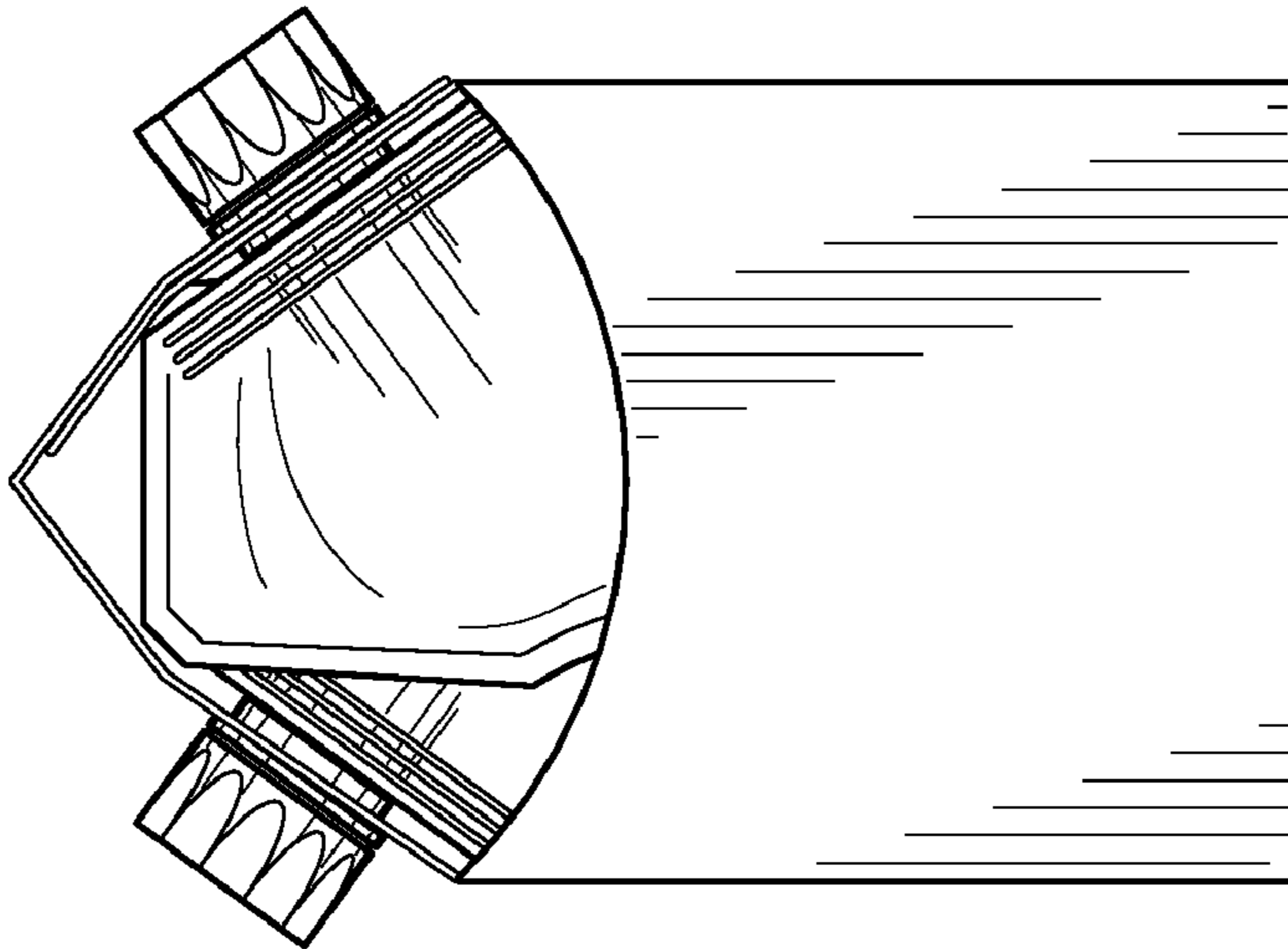


FIG. 4

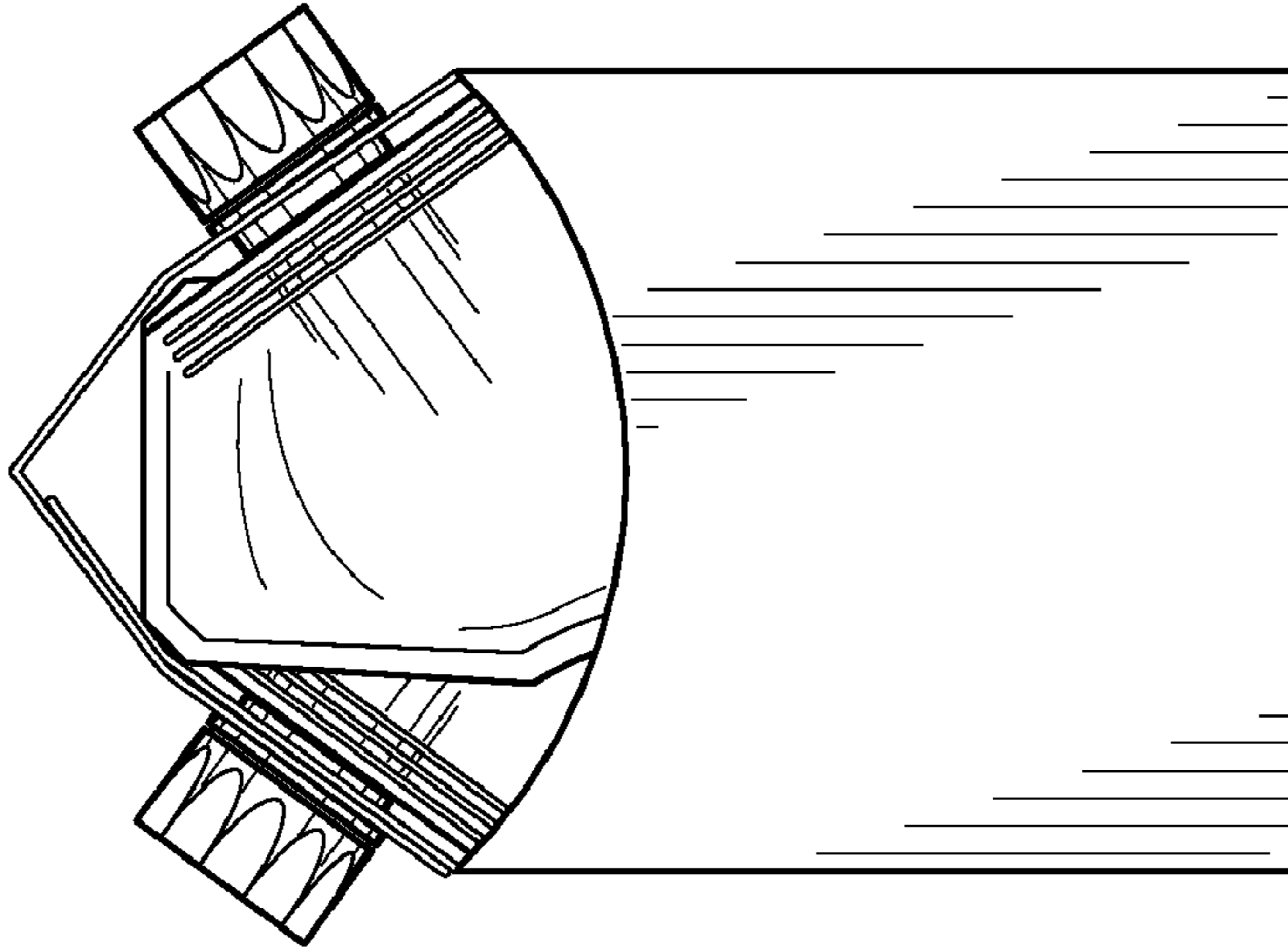
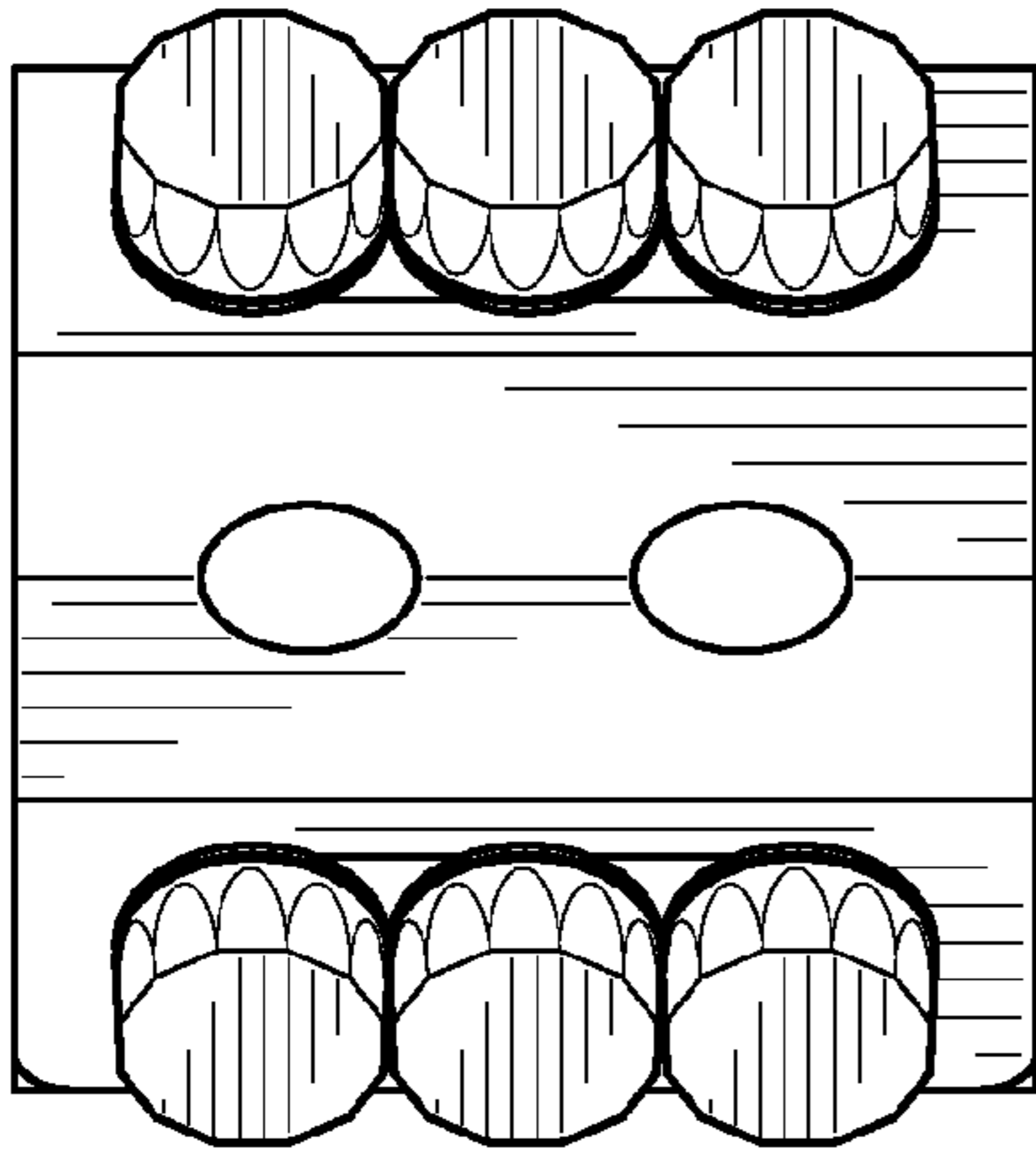
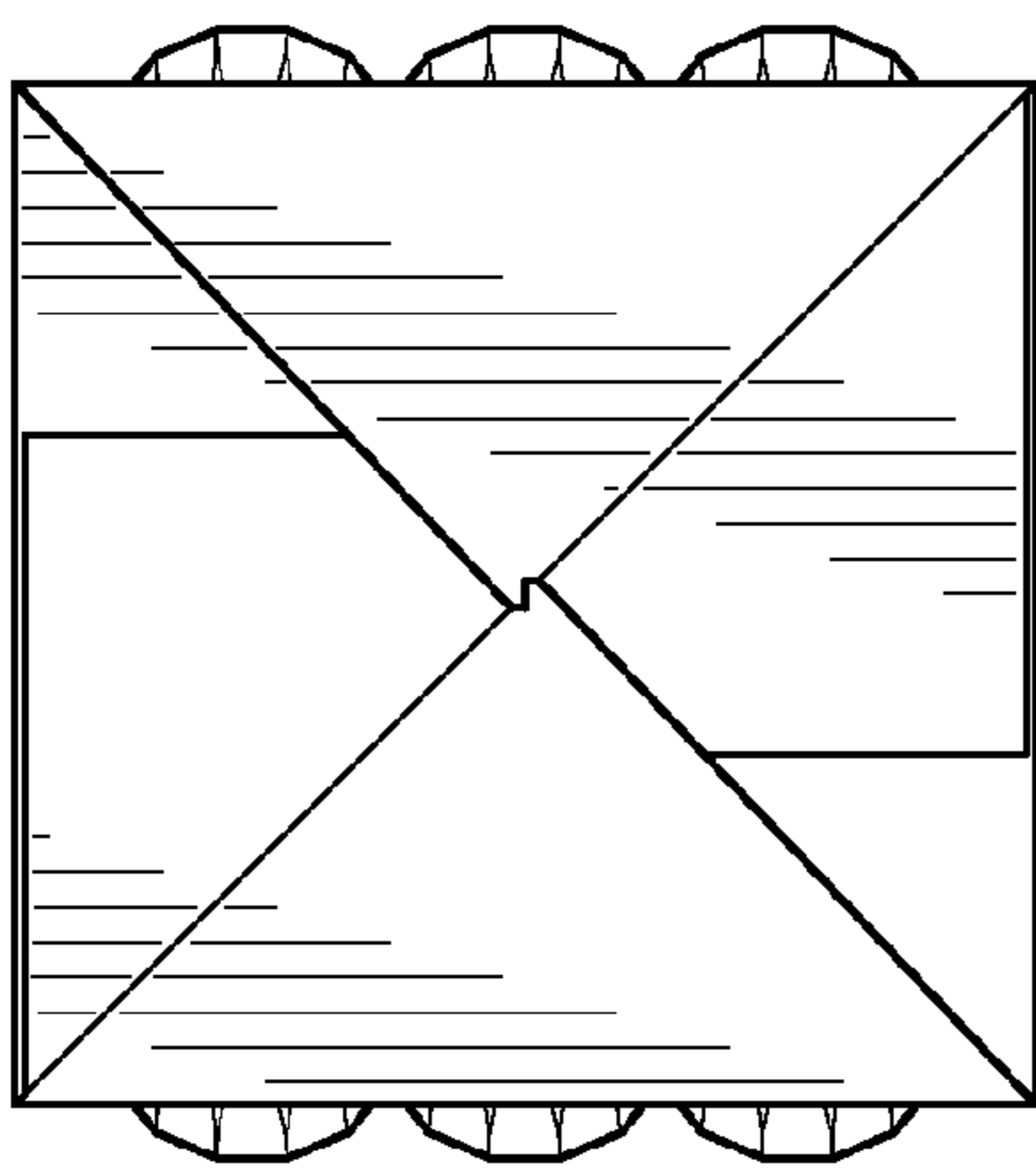


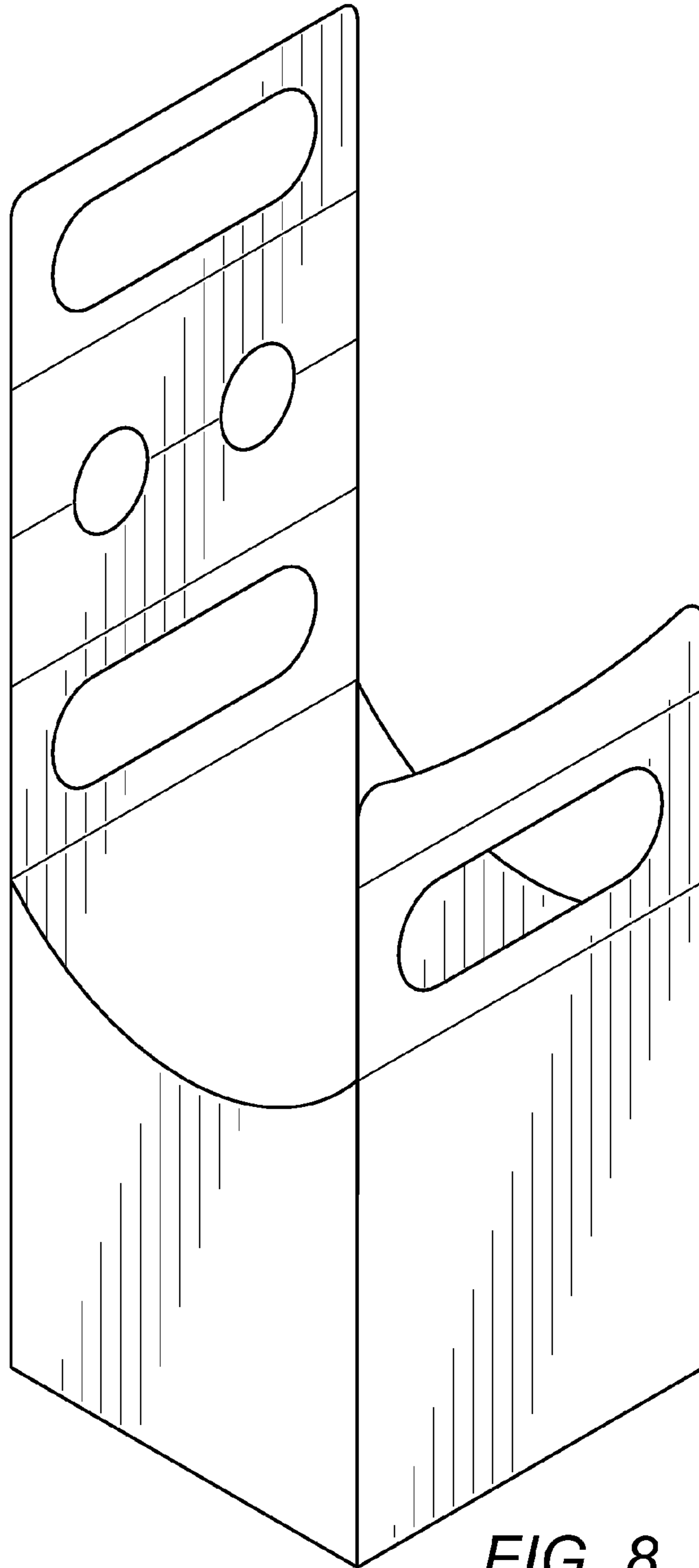
FIG. 5



*FIG. 6*

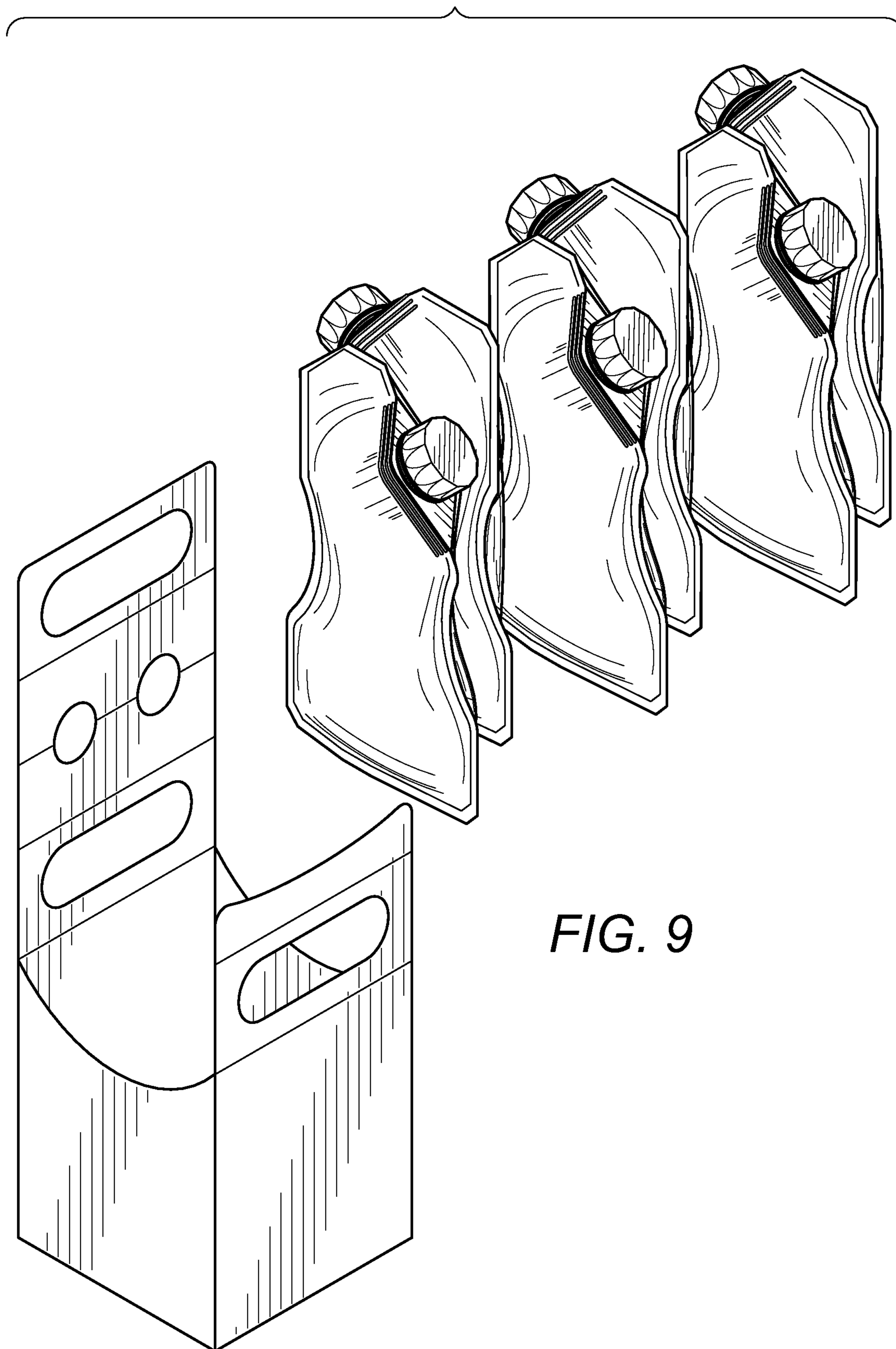


*FIG. 7*



*FIG. 8*





*FIG. 9*