



US00D561608S

(12) **United States Design Patent**  
**Hogben**

(10) **Patent No.:** **US D561,608 S**

(45) **Date of Patent:** **\*\* Feb. 12, 2008**

(54) **LOTION APPLICATOR**

(76) **Inventor:** **Stuart M. Hogben**, 31 Mauritius Road,  
London (GB) SE10 0EH

(\*\*) **Term:** **14 Years**

(21) **Appl. No.:** **29/279,777**

(22) **Filed:** **May 8, 2007**

(51) **LOC (8) Cl.** ..... **09-01**

(52) **U.S. Cl.** ..... **D9/726**

(58) **Field of Classification Search** ..... D9/414,  
D9/417, 500, 516, 529, 698, 723-730, 734,  
D9/501-504, 521, 682, 686, 688, 690; D6/512,  
D6/515, 518, 523; D28/4, 5, 7, 76, 85, 88;  
D19/35, 57, 71; 222/183, 132.7, 325, 465.1;  
401/67, 68, 75, 214; 206/459.5; D3/257  
See application file for complete search history.

(56) **References Cited**

**U.S. PATENT DOCUMENTS**

- 4,044,889 A \* 8/1977 Orentreich et al. .... 206/459.5
- D303,021 S \* 8/1989 Reichmann ..... D28/5
- D306,914 S \* 3/1990 Shinohara ..... D28/7
- D341,225 S \* 11/1993 Lang et al. .... D28/76
- D391,166 S \* 2/1998 Lang ..... D9/529
- D391,491 S \* 3/1998 Lang ..... D9/529
- D406,764 S \* 3/1999 Bright et al. .... D9/503
- D438,376 S \* 3/2001 Marshall ..... D3/257

- D441,916 S \* 5/2001 Faillant-Dumas ..... D28/88
- D477,216 S \* 7/2003 Gronwall ..... D9/727
- D511,301 S \* 11/2005 Jones ..... D9/698
- D529,817 S \* 10/2006 Francavilla et al. .... D9/724
- D537,721 S \* 3/2007 Kertels ..... D9/504

\* cited by examiner

*Primary Examiner*—Stella M. Reid  
*Assistant Examiner*—Shanda C. Hill

(57) **CLAIM**

I claim, the ornamental design for the lotion applicator, as shown and described.

**DESCRIPTION**

FIG. 1 is a front elevational view of the lotion applicator showing my new design;

FIG. 2 is a rear elevational view of the lotion applicator thereof;

FIG. 3 is a left-side elevational view of the lotion applicator thereof;

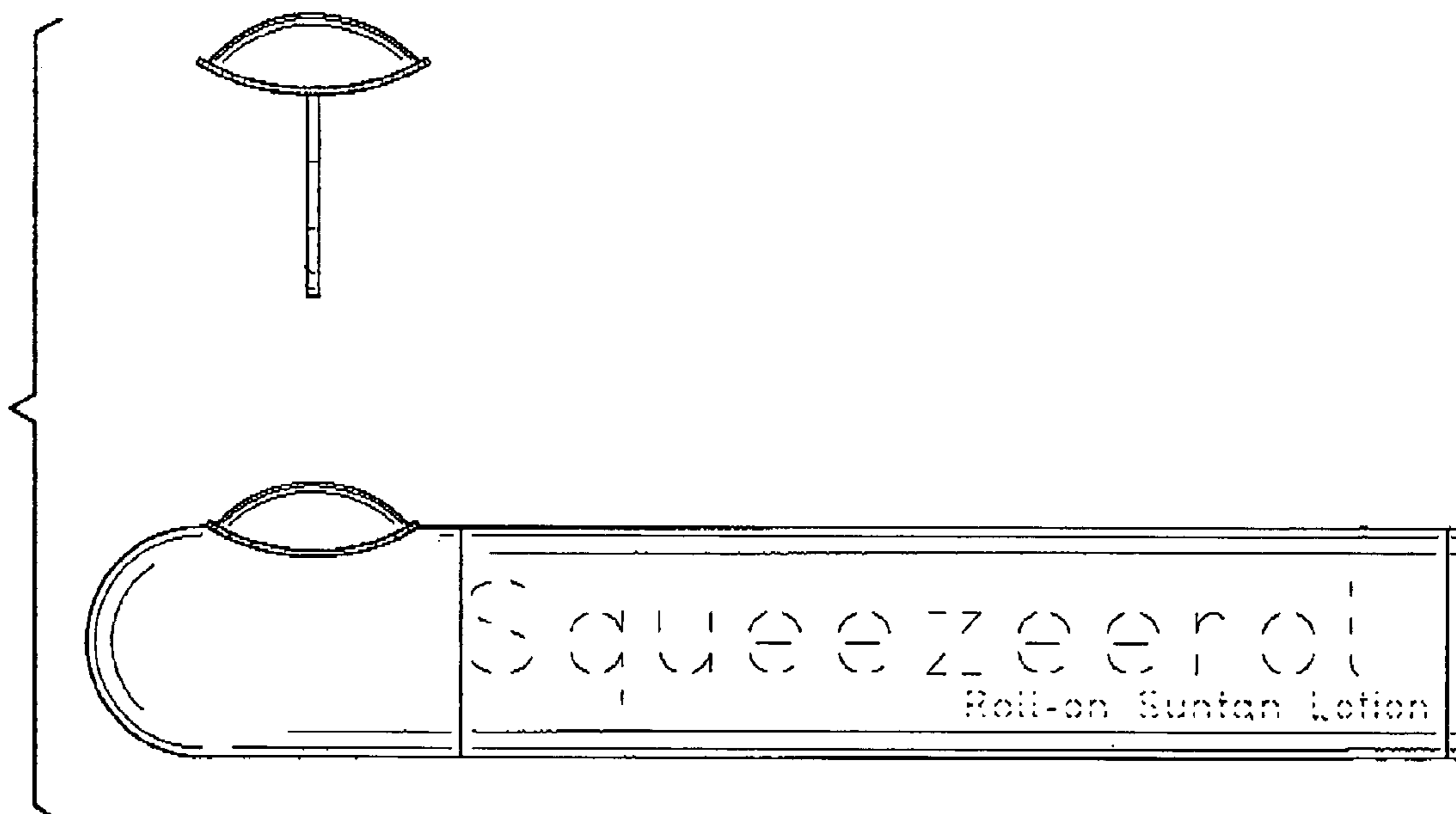
FIG. 4 is right side elevational view of the lotion applicator thereof;

FIG. 5 is a top plan view of the lotion applicator thereof; and,

FIG. 6 is a bottom plan view of the lotion applicator thereof.

FIGS. 1 through 6 are exploded views.

**1 Claim, 3 Drawing Sheets**



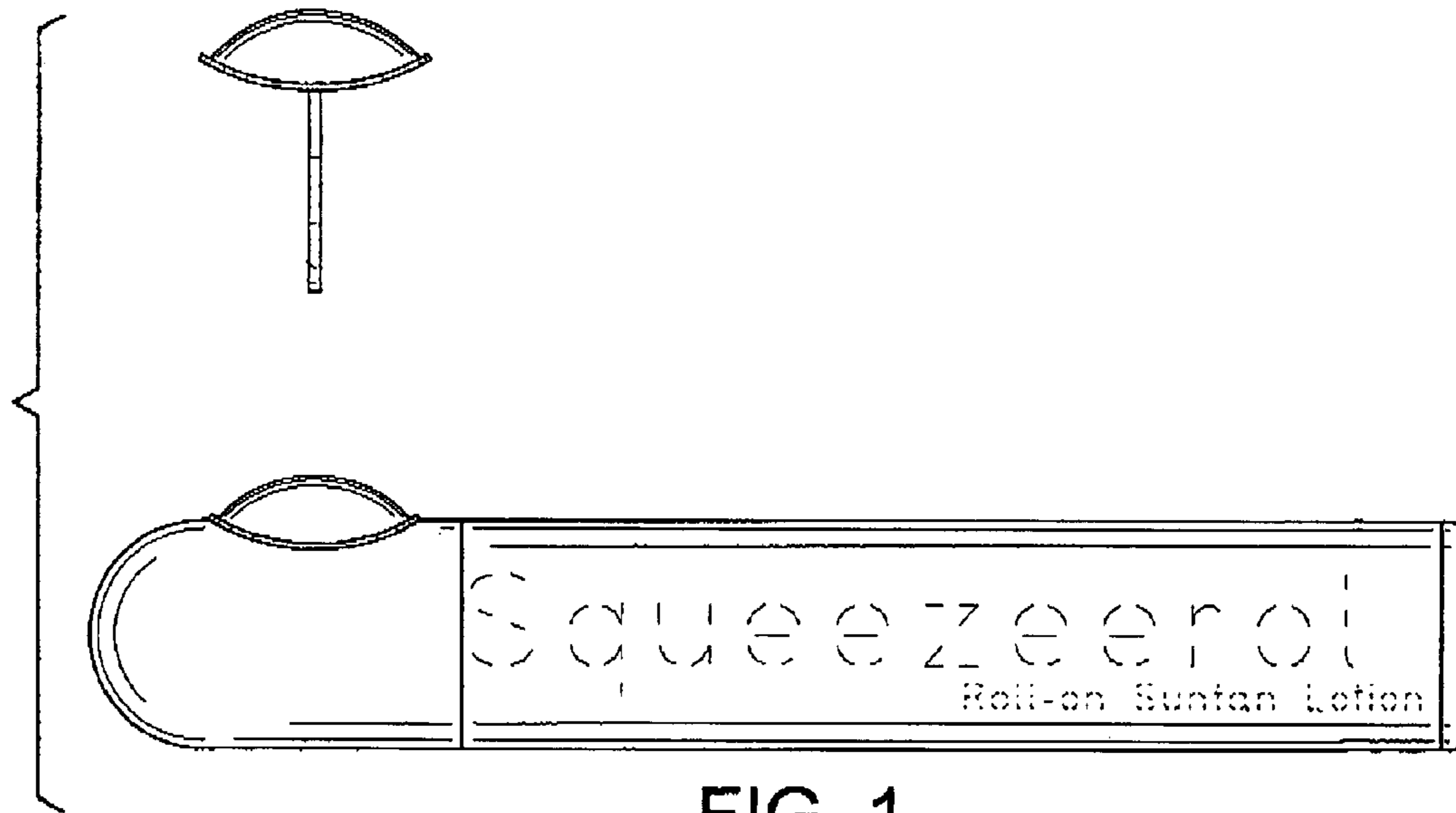


FIG. 1

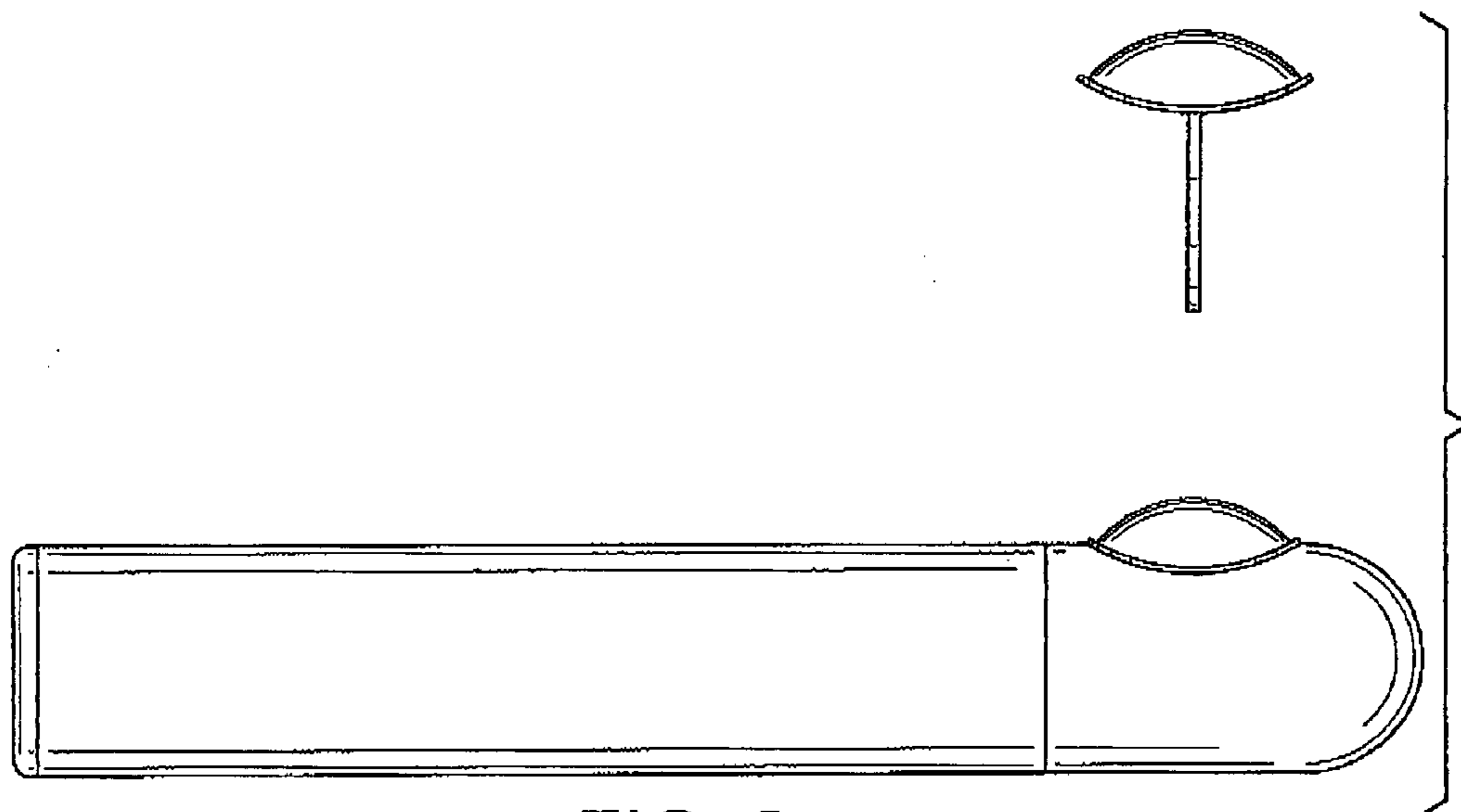


FIG. 2

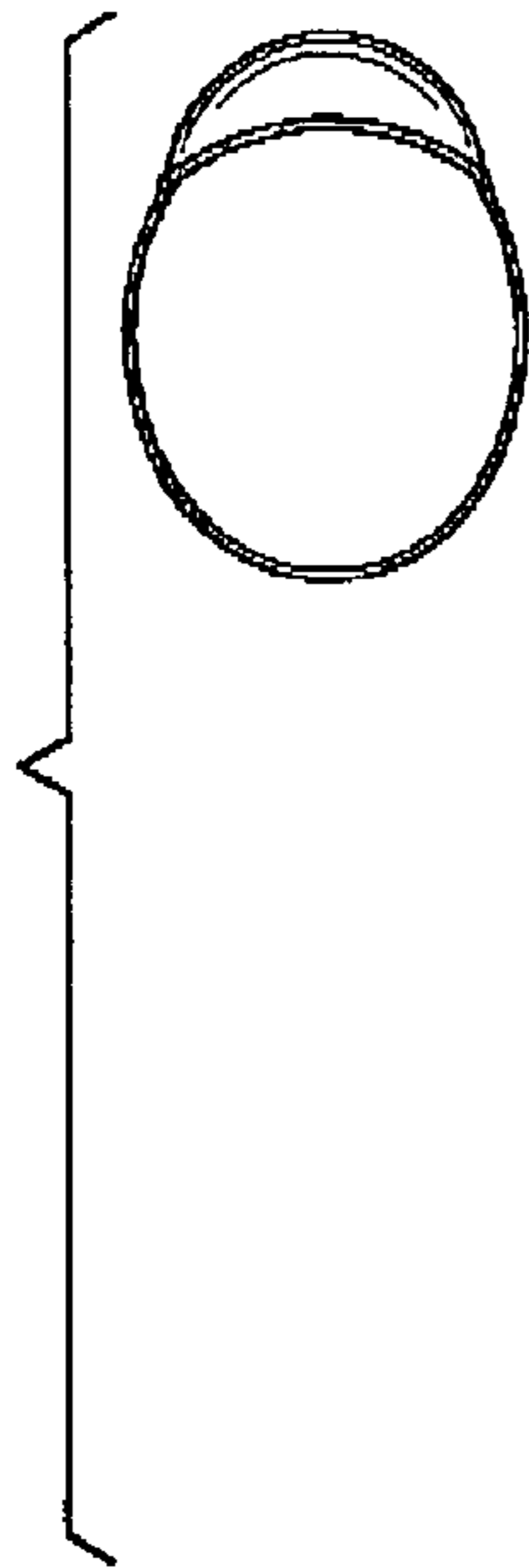


FIG. 3

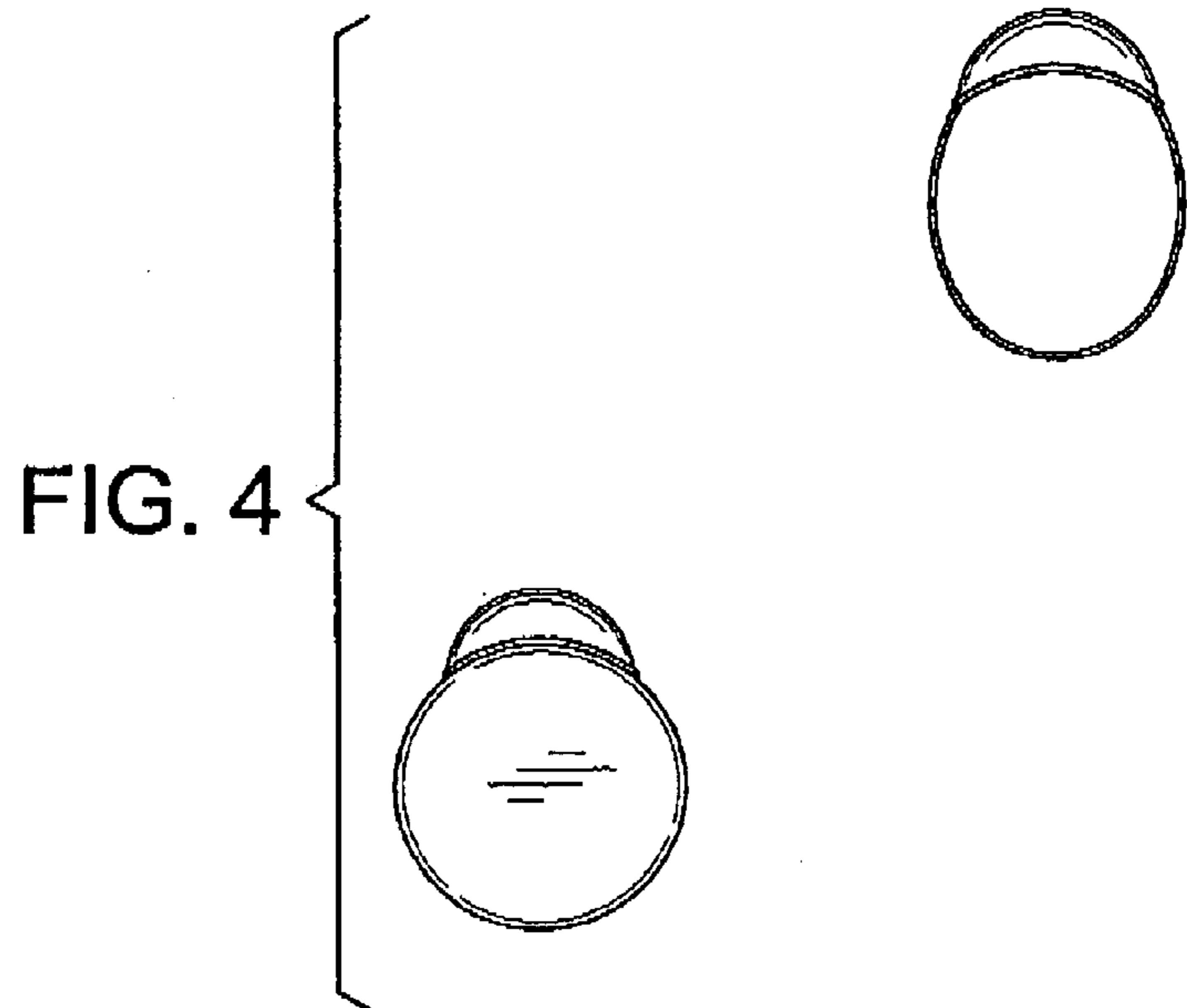
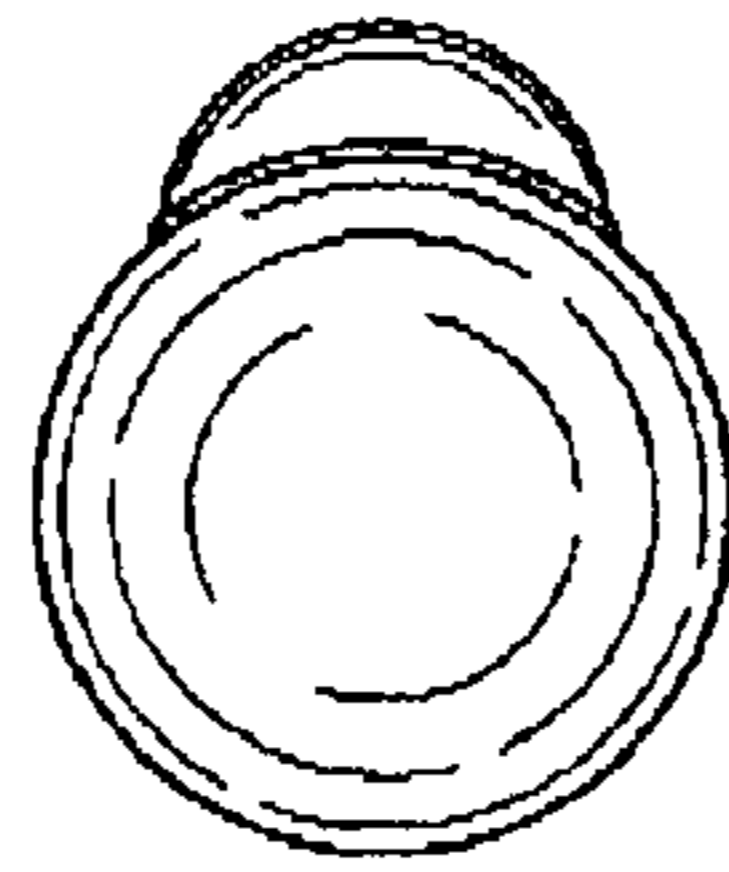


FIG. 4

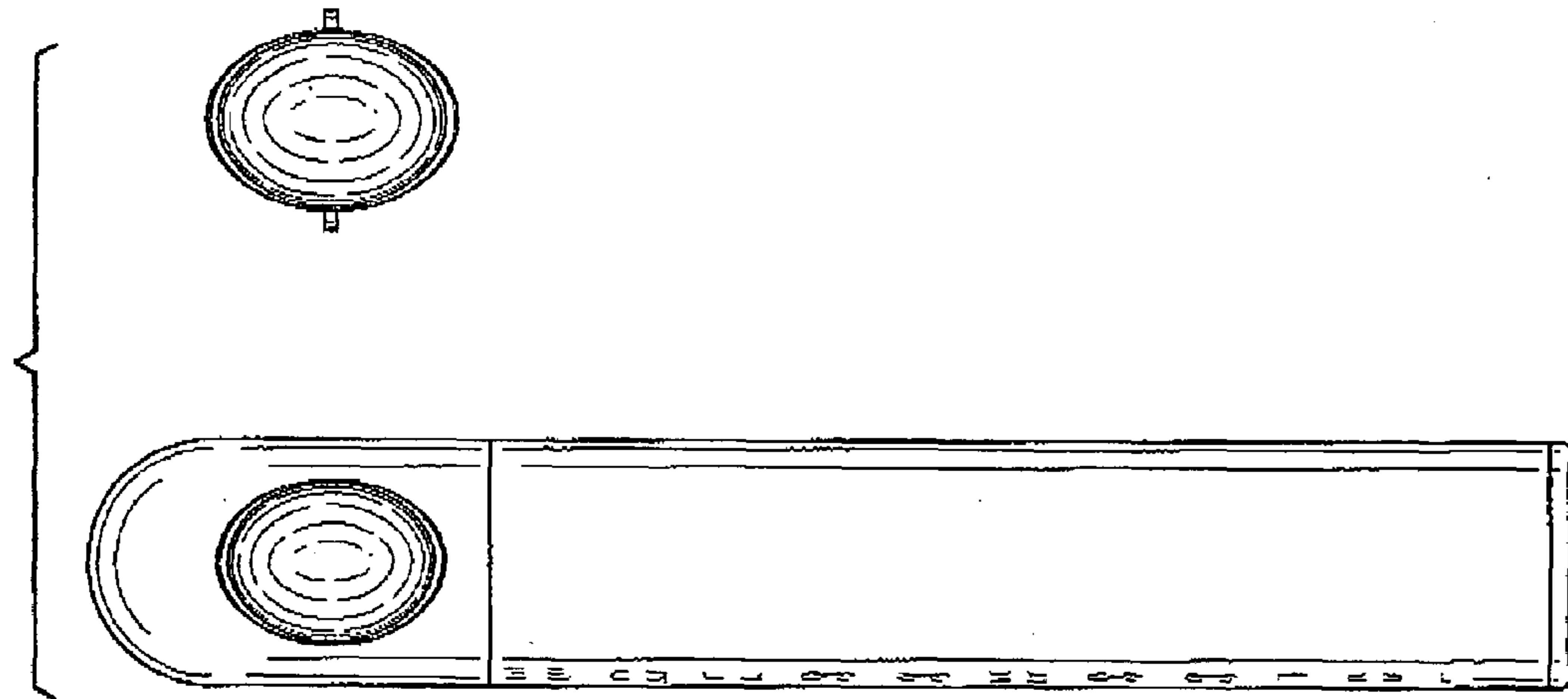


FIG. 5

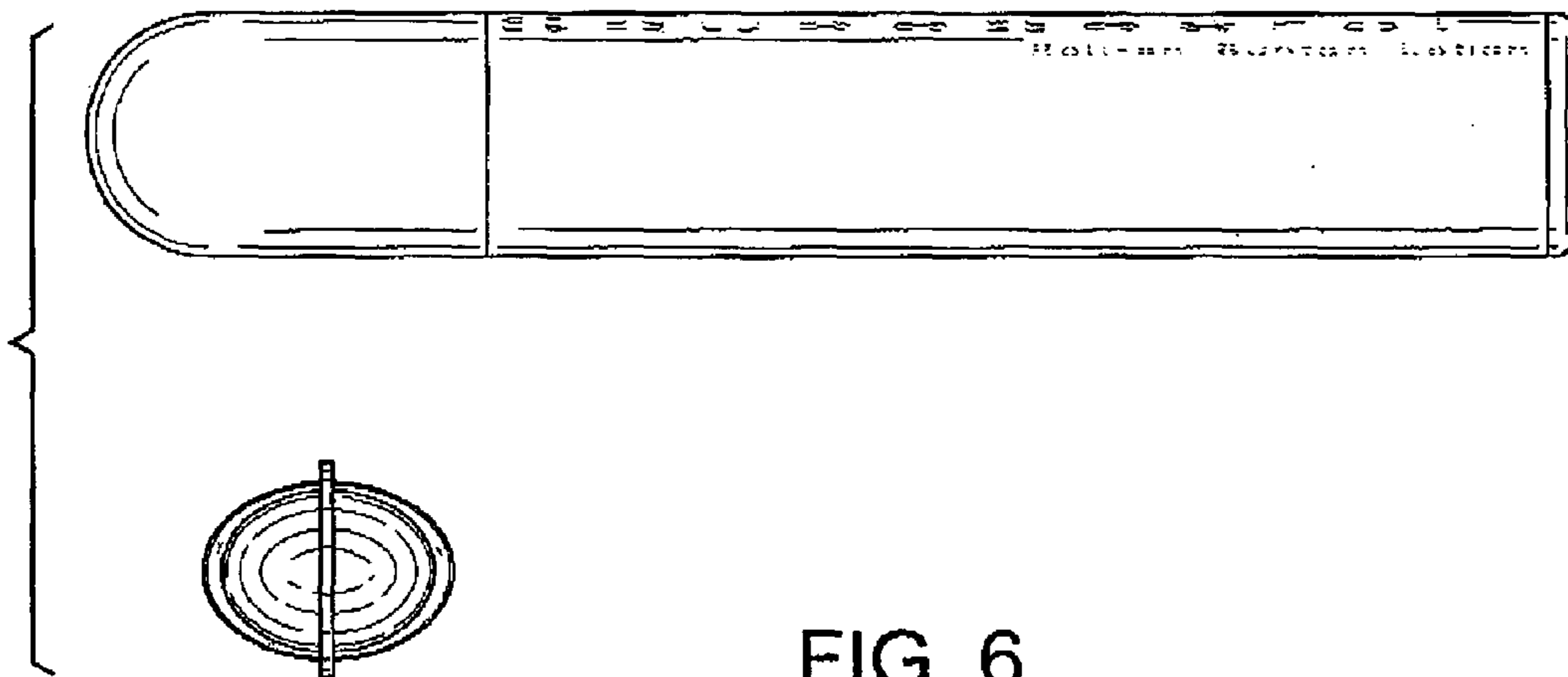


FIG. 6