

US00D561588S

(12) **United States Design Patent** (10) **Patent No.:** **US D561,588 S**
Gilfert (45) **Date of Patent:** **** Feb. 12, 2008**

(54) **MULTI-USE INSERT FOR A SINGLE CONTAINER**

5,213,211 A * 5/1993 Umiker 206/392
(Continued)

(75) Inventor: **James W. Gilfert**, Eldred, PA (US)

Primary Examiner—T. Chase Nelson
Assistant Examiner—Barbara B Lohr

(73) Assignee: **FiberCell Packaging, LLC**, Portville, NY (US)

(74) *Attorney, Agent, or Firm*—Duane C. Basch; Basch + Nickerson LLP

(**) Term: **14 Years**

(57) **CLAIM**

(21) Appl. No.: **29/280,840**

The ornamental design for a “multi-use insert for a single container,” as shown and described.

(22) Filed: **Jun. 8, 2007**

(51) **LOC (8) Cl.** **09-07**

(52) **U.S. Cl.** **D9/456**

(58) **Field of Classification Search** D9/434,
D9/435, 447, 455, 456, 499, 502, 520, 559,
D9/737, 738, 745, 746, 747, 755, 779; 215/40,
215/43, 44, 45, 46, 219, 204, 222, 252, 318,
215/331, 6, 10, 375; 75/57.1, 71; 24/455;
D8/72, 73, 318, 349, 356, 382, 394, 395,
D8/396; D3/201, 232, 239, 242, 243, 256,
D3/313, 314, 328; 206/203, 392, 409, 453,
206/523, 575; 40/310; 403/343; 235/385,
235/380; 248/231, 200, 200.1; 220/4.27,
220/66–70, 73; D32/29.1

See application file for complete search history.

DESCRIPTION

The claimed “multi-use insert for a single container” may be used in conjunction with the packing, storage and shipping of a fragile container such as a glass bottle.

FIG. 1 is a perspective view of the top, front and right sides of a multi-use insert for a single container;

FIG. 2 is a front elevation view of the multi-use insert for a single container;

FIG. 3 is a right side elevation view of the multi-use insert for a single container;

FIG. 4 is a rear elevation view of the multi-use insert for a single container;

FIG. 5 is a left side elevation view of the multi-use insert for a single container;

FIG. 6 is a top plan view of the multi-use insert for a single container;

FIG. 7 is a bottom plan view of the multi-use insert for a single container;

FIG. 8 is a cross-sectional view of the multi-use insert for a single container taken along line 8—8 of the FIG. 6 view; and,

FIG. 9 is a perspective view of a multi-use insert for a single container in use.

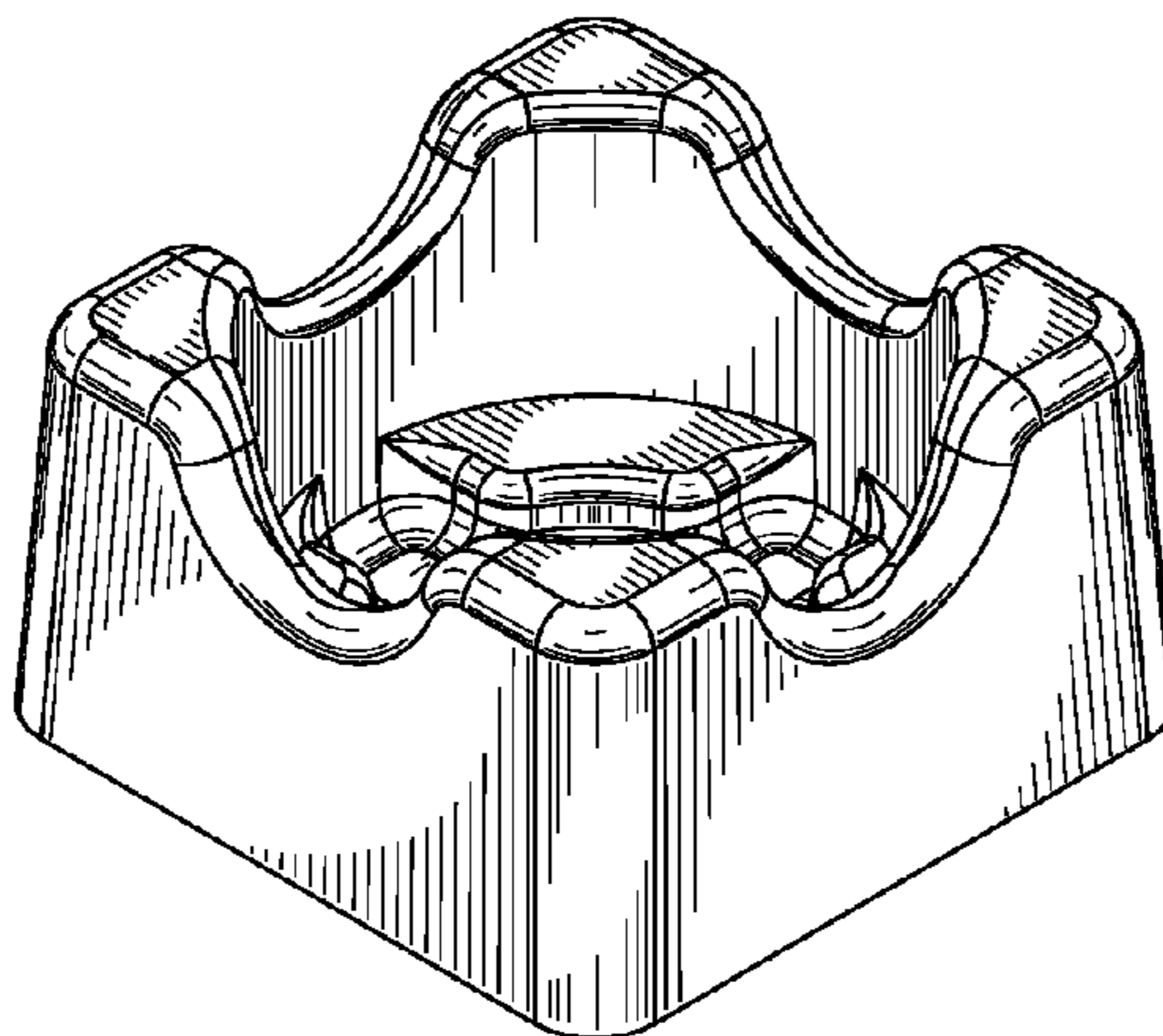
The broken-lines of FIG. 9 depict elements of the environment and additional inserts. These broken line features are depicted for illustrative purposes only, and form no part of the claimed design.

(56) **References Cited**

U.S. PATENT DOCUMENTS

871,452 A	11/1907	Smith	
1,917,886 A	7/1933	Hogan	
2,094,054 A	9/1937	Bixby	
D125,136 S *	2/1941	Holmes D9/737
D152,683 S *	2/1949	Erickson D9/755
2,514,651 A	7/1950	Kornfield et al.	
2,570,340 A	10/1951	George	
2,761,553 A	9/1956	Wheeler	
D214,487 S *	6/1969	Reichl D9/456
4,382,106 A	5/1983	Royster	
5,000,372 A	3/1991	Hollander et al.	
D327,972 S *	7/1992	Apps et al. D3/313
D331,538 S *	12/1992	Fabre D9/455

1 Claim, 6 Drawing Sheets



US D561,588 S

Page 2

U.S. PATENT DOCUMENTS

D356,950 S *	4/1995	Apps et al.	D9/456	D461,957 S *	8/2002	Hammett	D3/314
5,785,239 A	7/1998	Campbell, II et al.		6,536,654 B2	3/2003	Reynolds et al.	
D400,012 S *	10/1998	Apps	D3/314	6,736,289 B2	5/2004	Cook et al.	
6,237,758 B1 *	5/2001	Hsu	206/203	D535,881 S *	1/2007	Liukko	D9/456
D445,253 S *	7/2001	Hammett	D3/313	2006/0243784 A1	11/2006	Glaser	
D461,054 S *	8/2002	Hammett	D3/314				

* cited by examiner

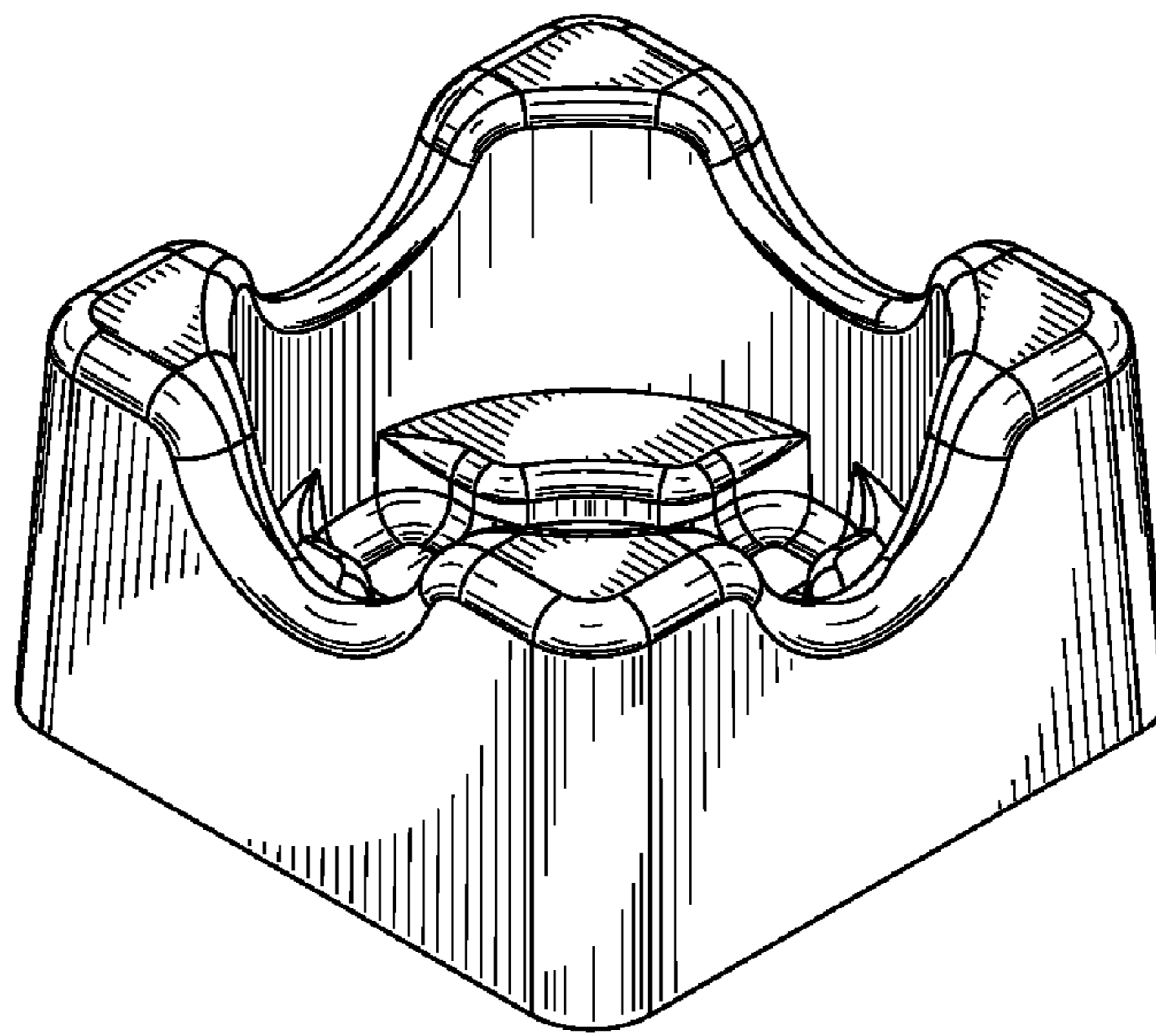


FIG. 1

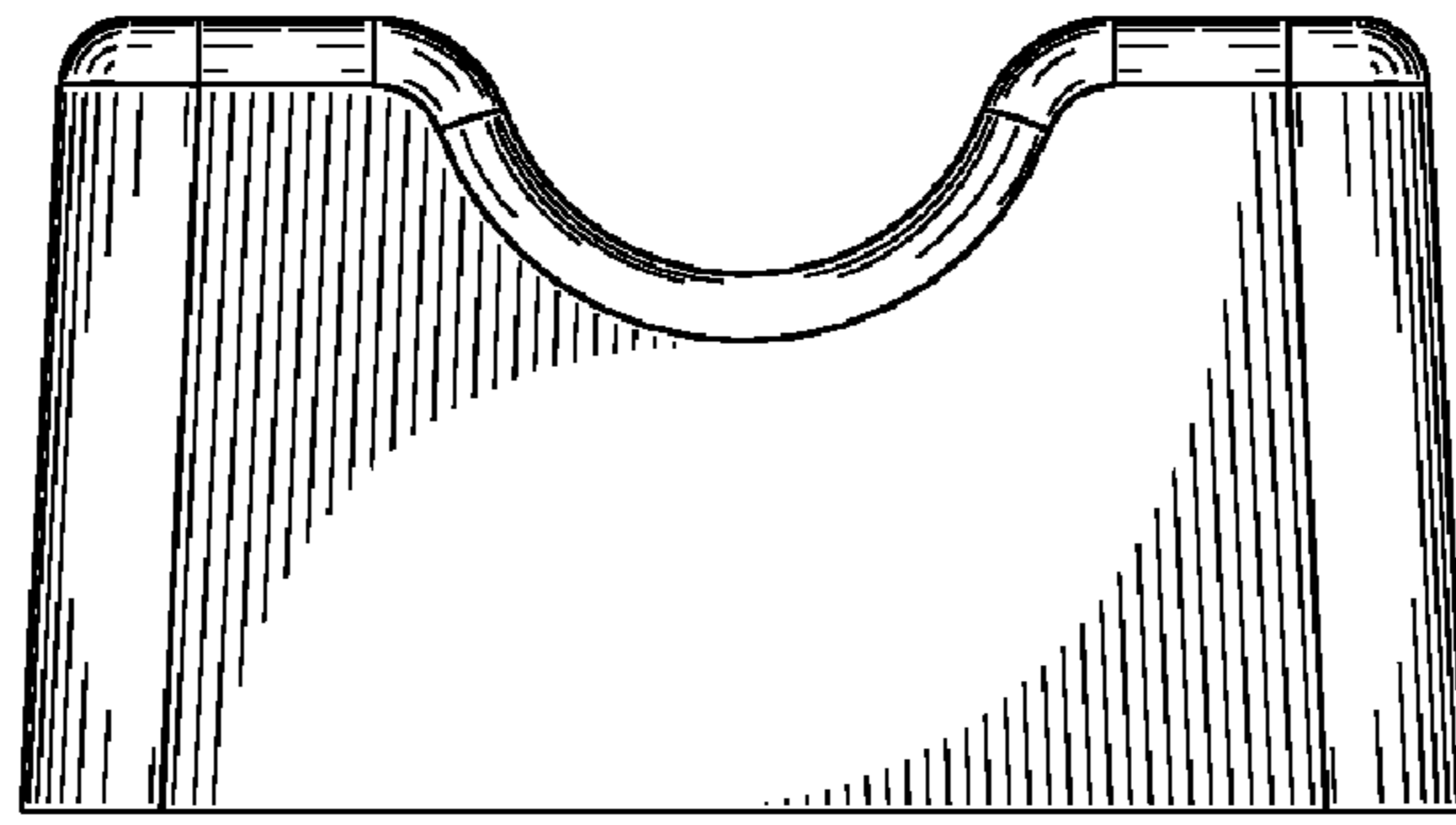


FIG. 2

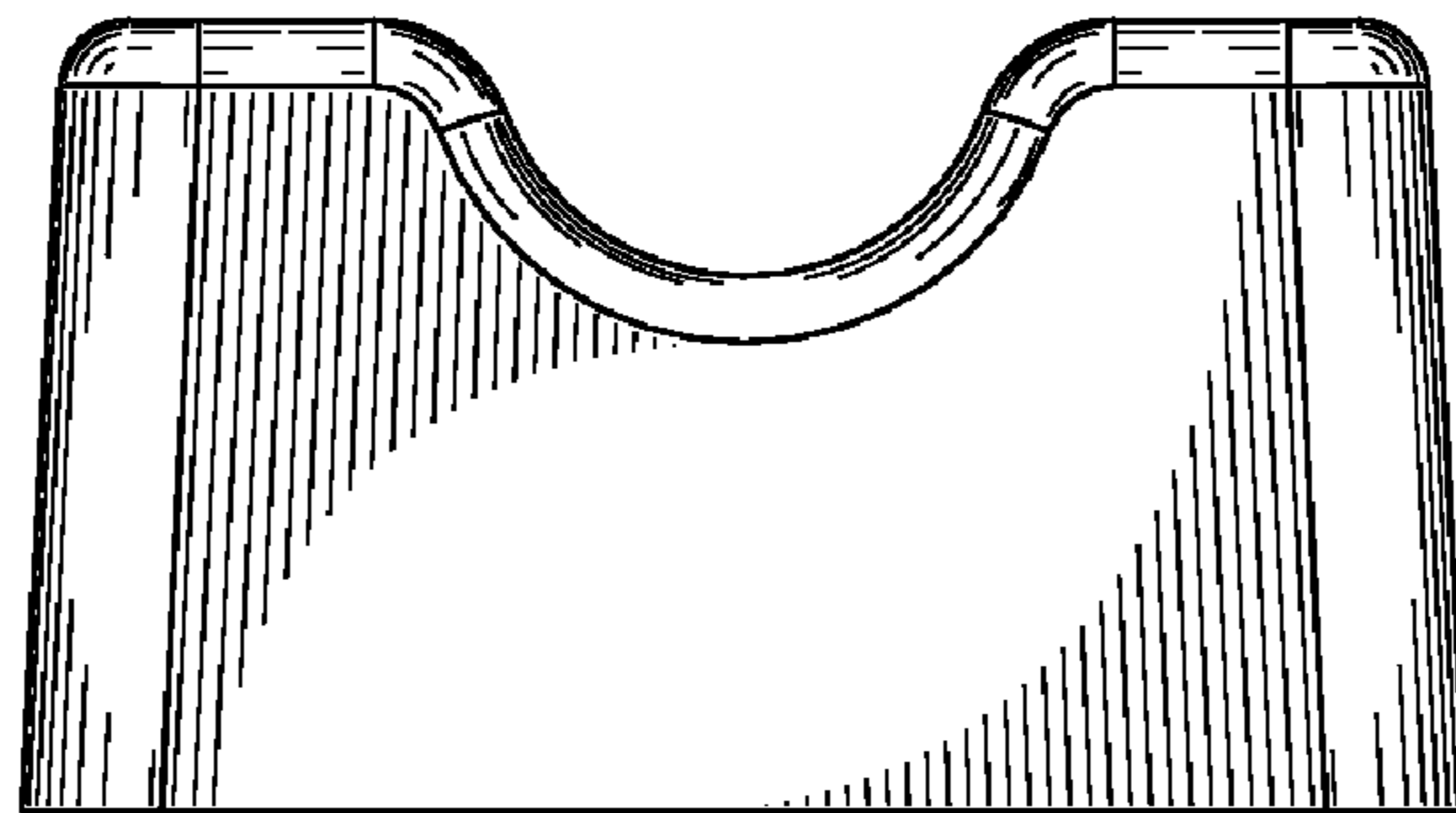


FIG. 3

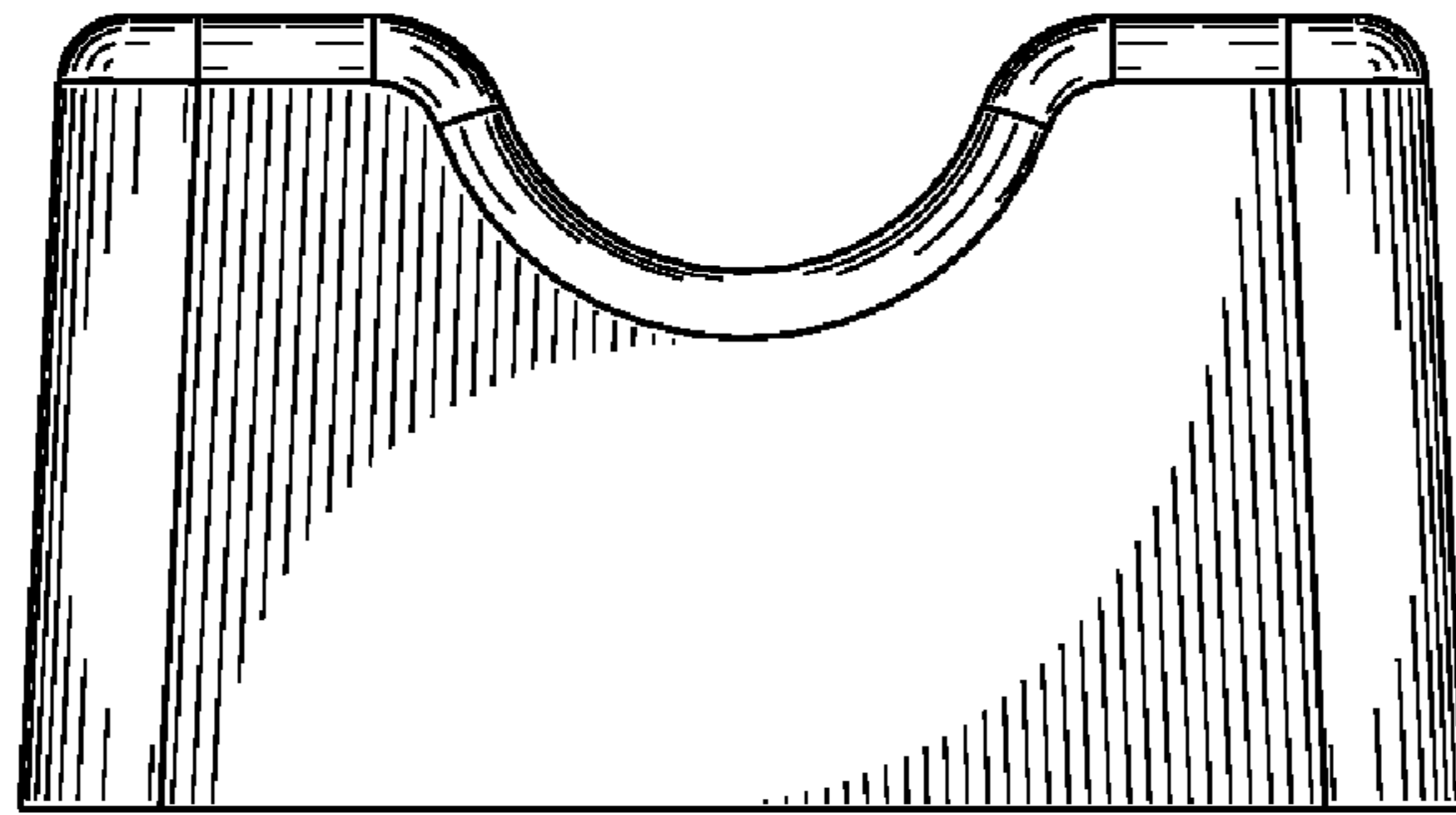


FIG. 4

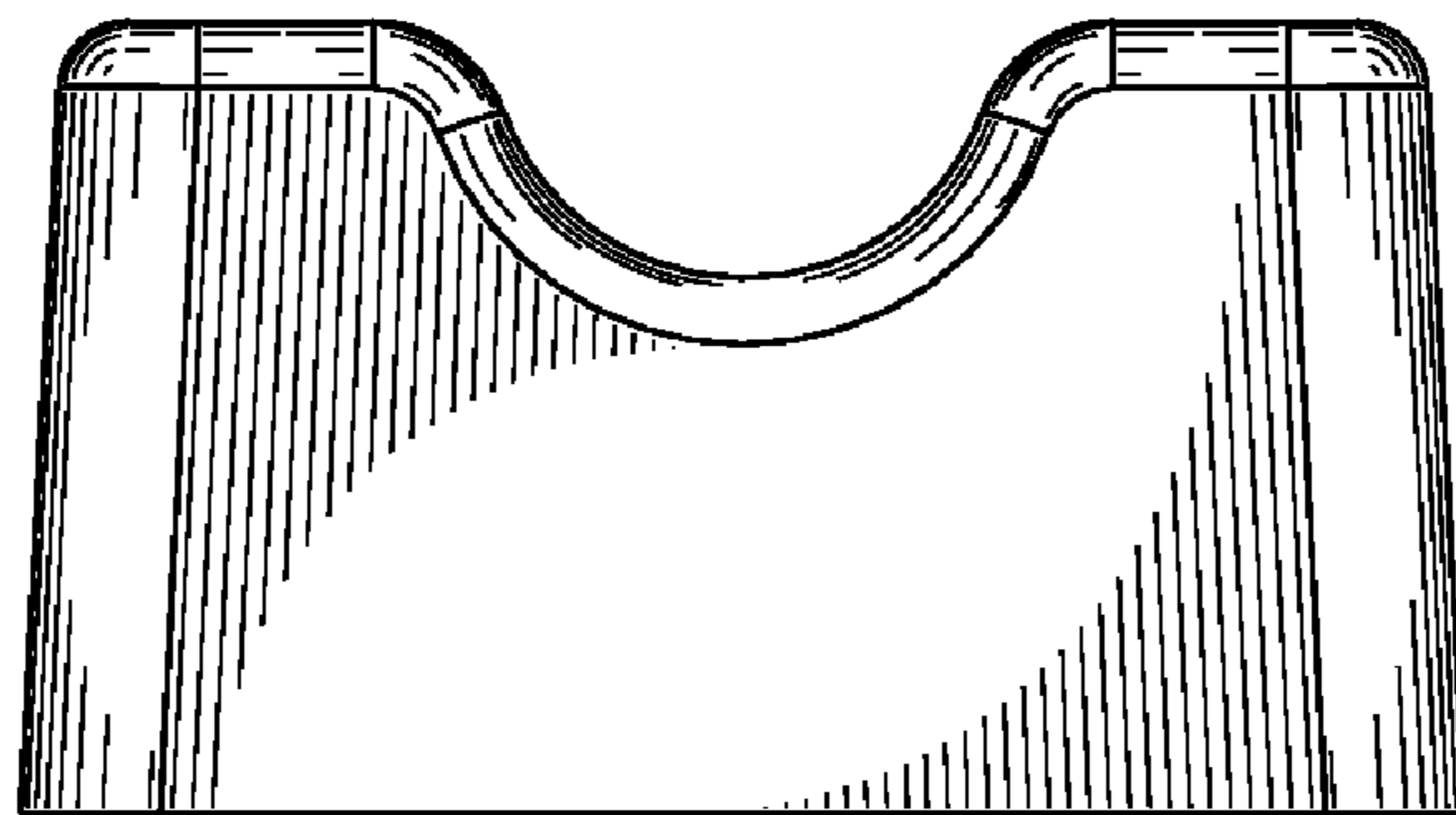


FIG. 5

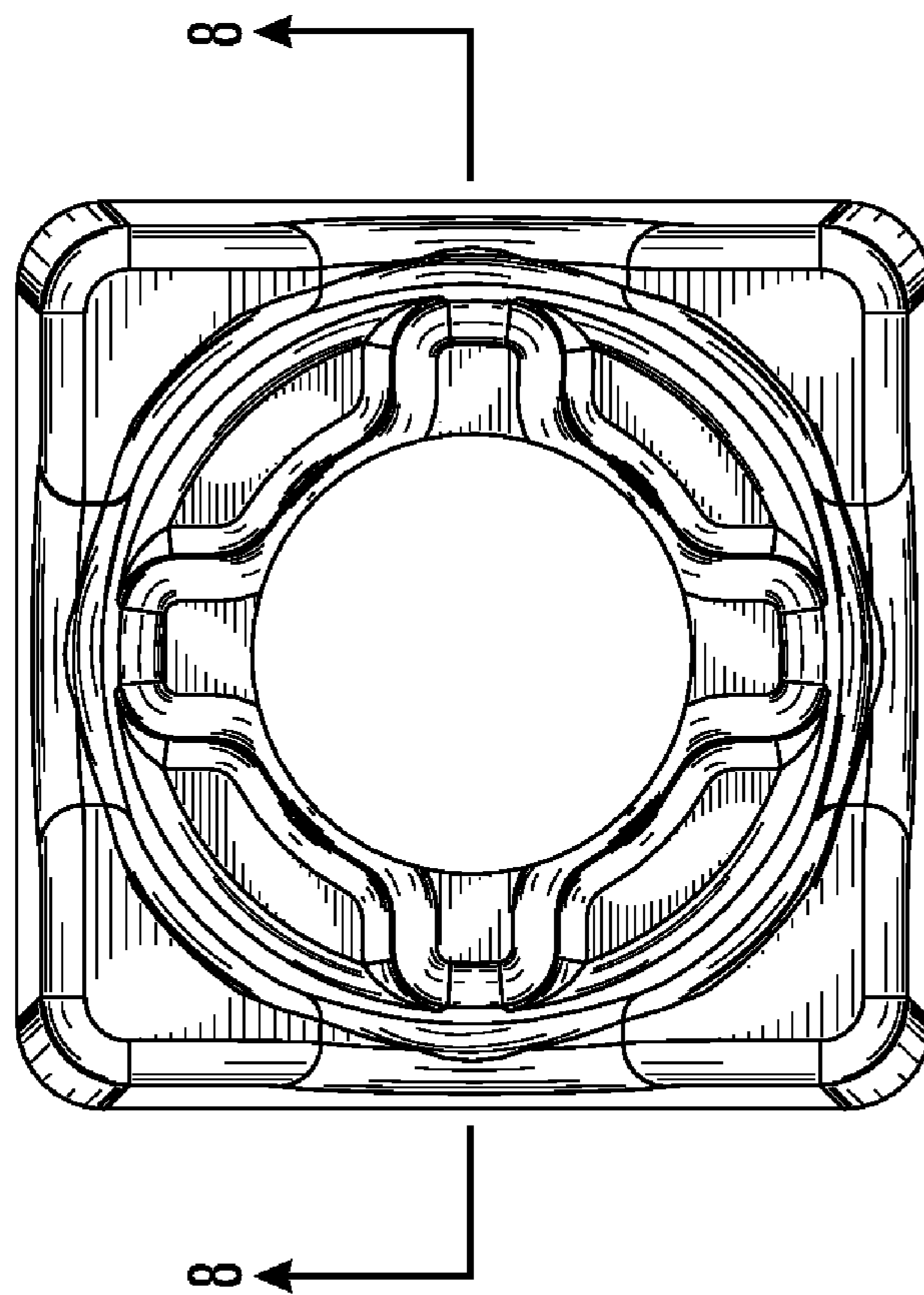


FIG. 6

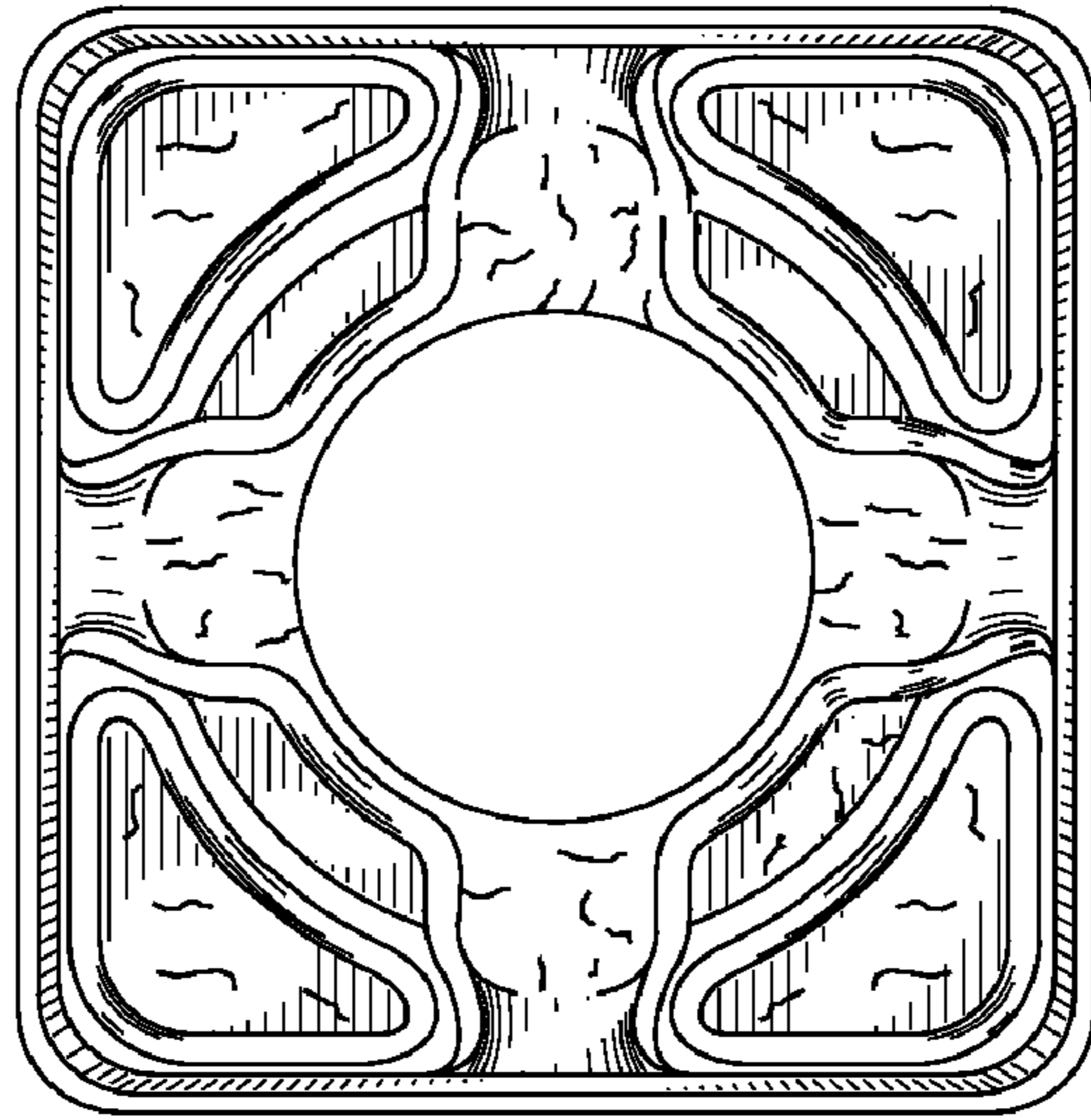


FIG. 7

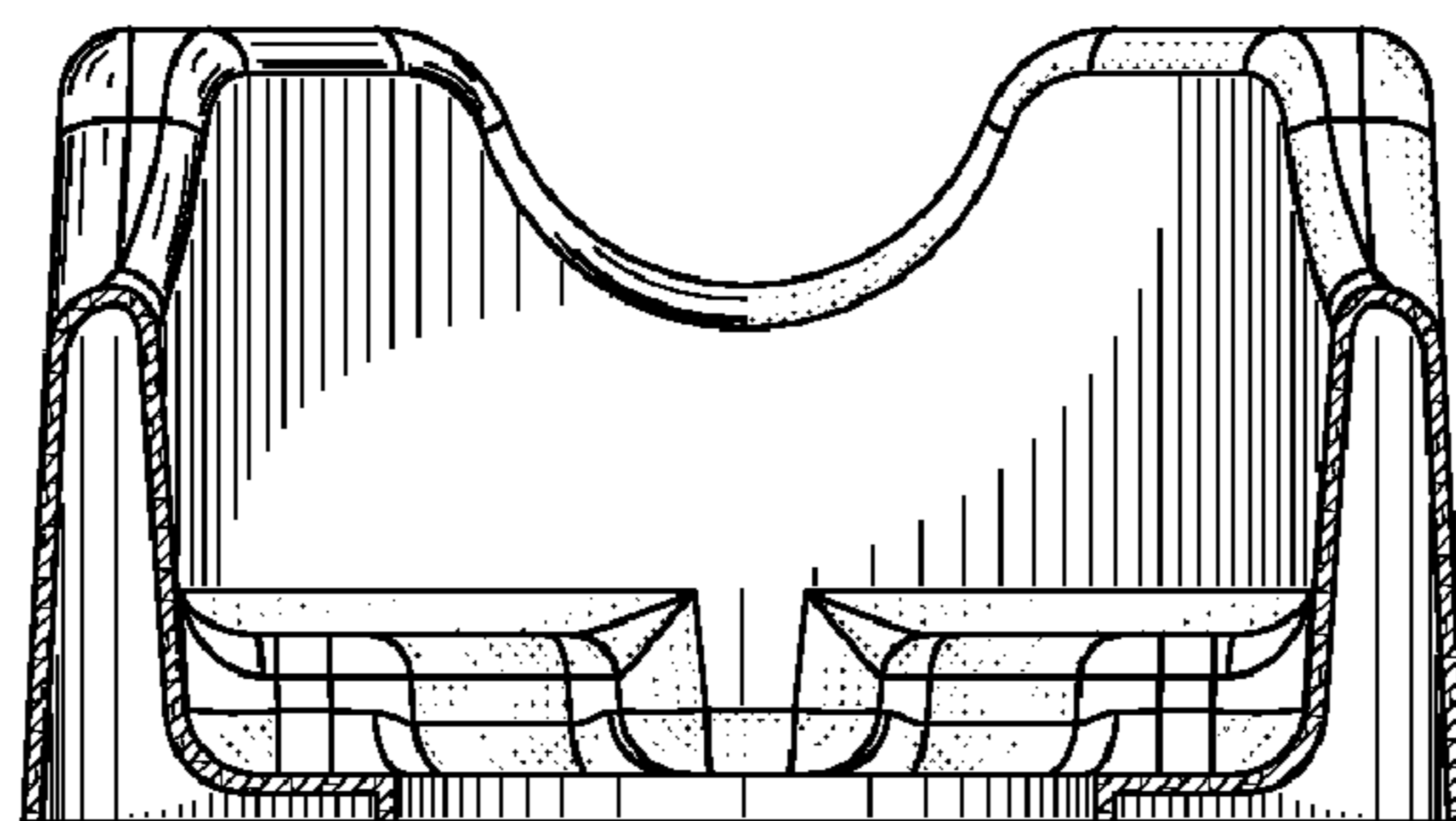


FIG. 8

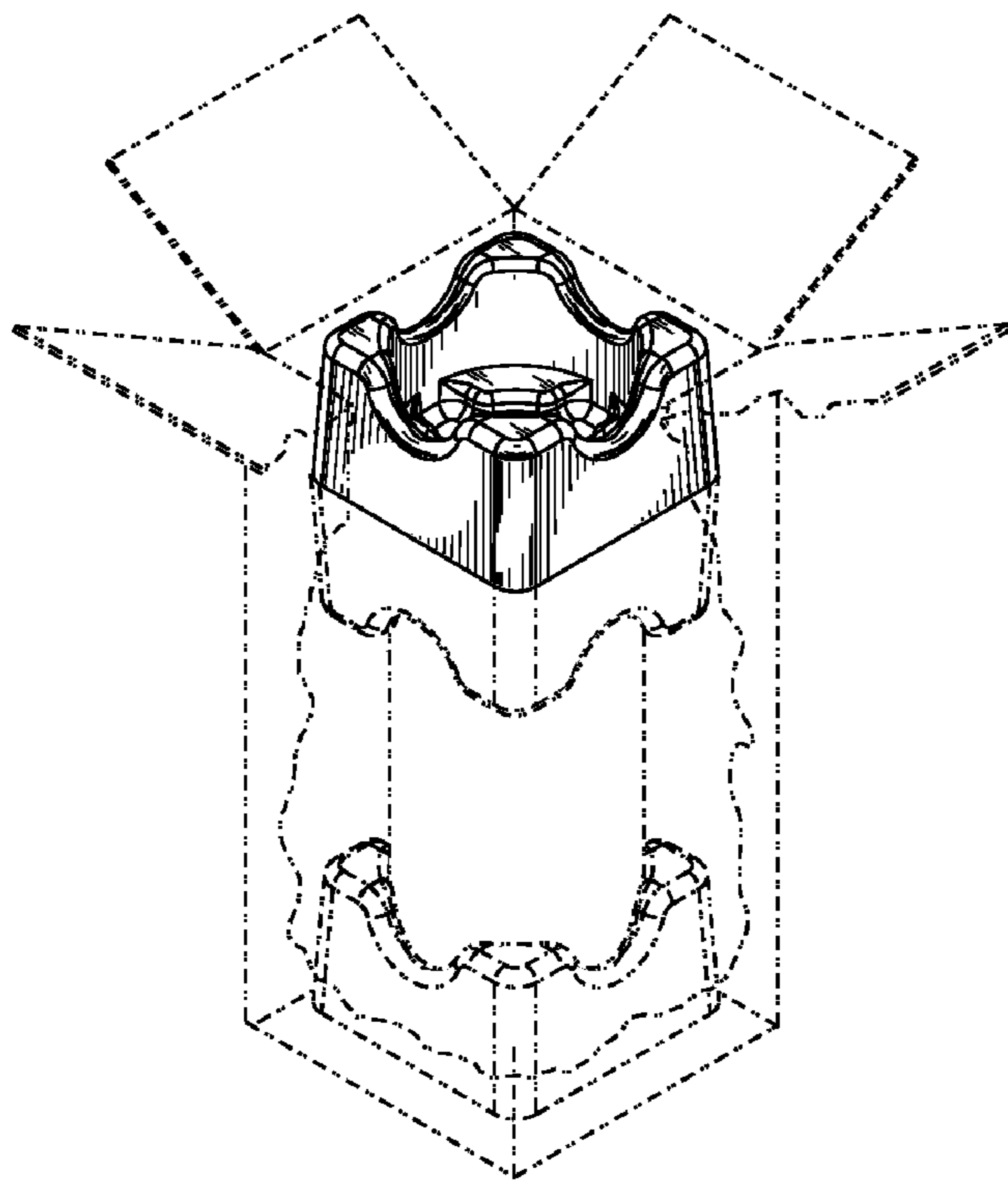


FIG. 9