

US00D561587S

(12) **United States Design Patent**
Lin

(10) **Patent No.:** **US D561,587 S**

(45) **Date of Patent:** **** Feb. 12, 2008**

(54) **TAMPER PROOF CAP**

D444,065 S * 6/2001 Crawford et al. D9/453

(76) Inventor: **Steve Lin**, 17 Musick, Irvine, CA (US)
92618

* cited by examiner

(**) Term: **14 Years**

Primary Examiner—Gary D. Watson
Assistant Examiner—Susan Bennett Hattan
(74) *Attorney, Agent, or Firm*—Clement Cheng

(21) Appl. No.: **29/288,328**

(22) Filed: **Jun. 7, 2007**

(57) **CLAIM**

(51) **LOC (8) Cl.** **09-07**

The ornamental design for a tamper proof cap, as shown and described.

(52) **U.S. Cl.** **D9/453**

(58) **Field of Classification Search** D9/708,
D9/503, 455, 453, 445, 439; D23/252, 250;
222/567, 212; 215/223, 211, 208, 201, 200
See application file for complete search history.

DESCRIPTION

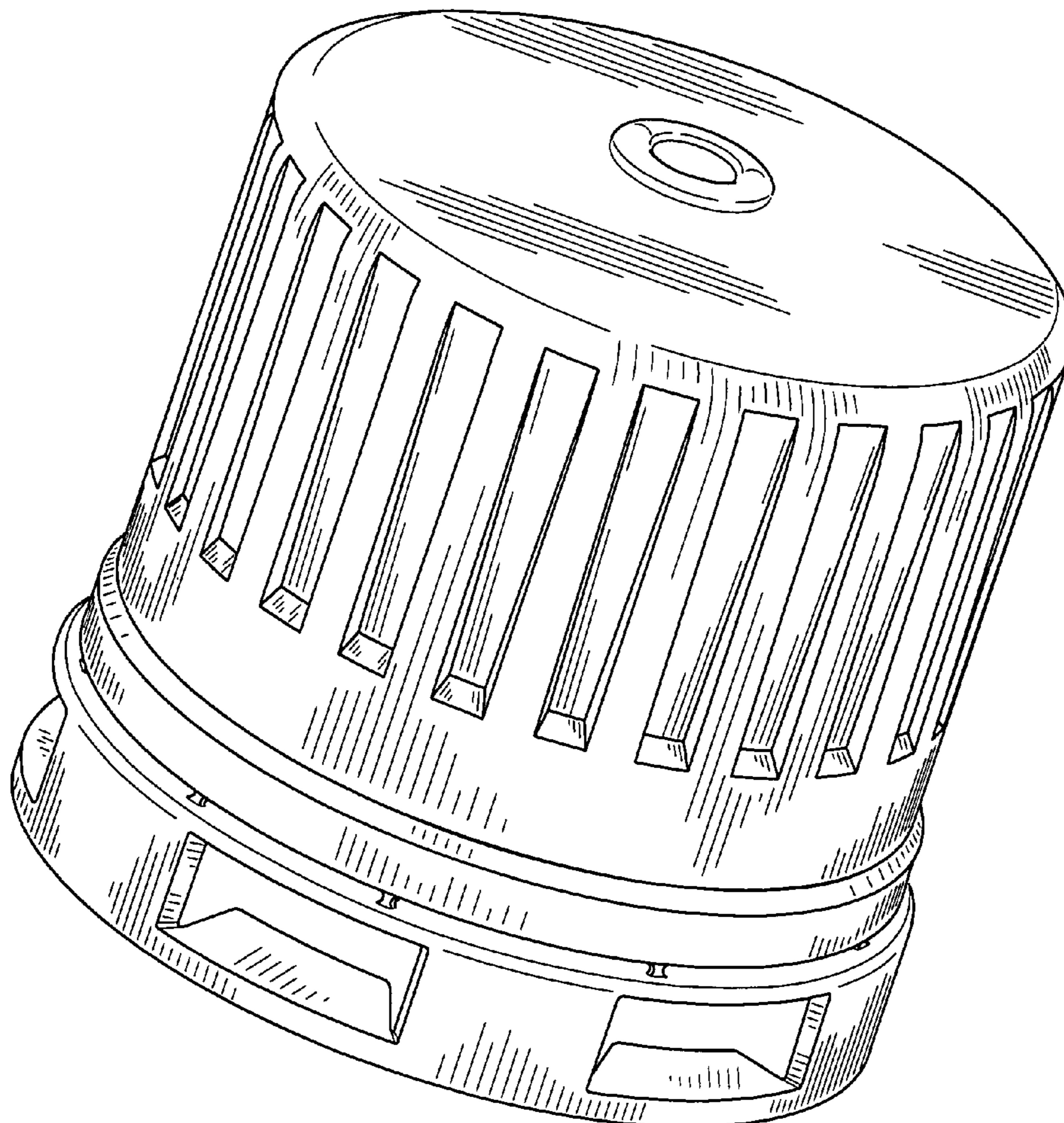
FIG. 1 is a perspective view.
FIG. 2 is a front perspective view.
FIG. 3 is a side perspective view.
FIG. 4 is a top view; and,
FIG. 5 is a bottom view.

(56) **References Cited**

U.S. PATENT DOCUMENTS

D292,492 S * 10/1987 Ross et al. D9/453
D351,795 S * 10/1994 Ogden D9/453

1 Claim, 5 Drawing Sheets



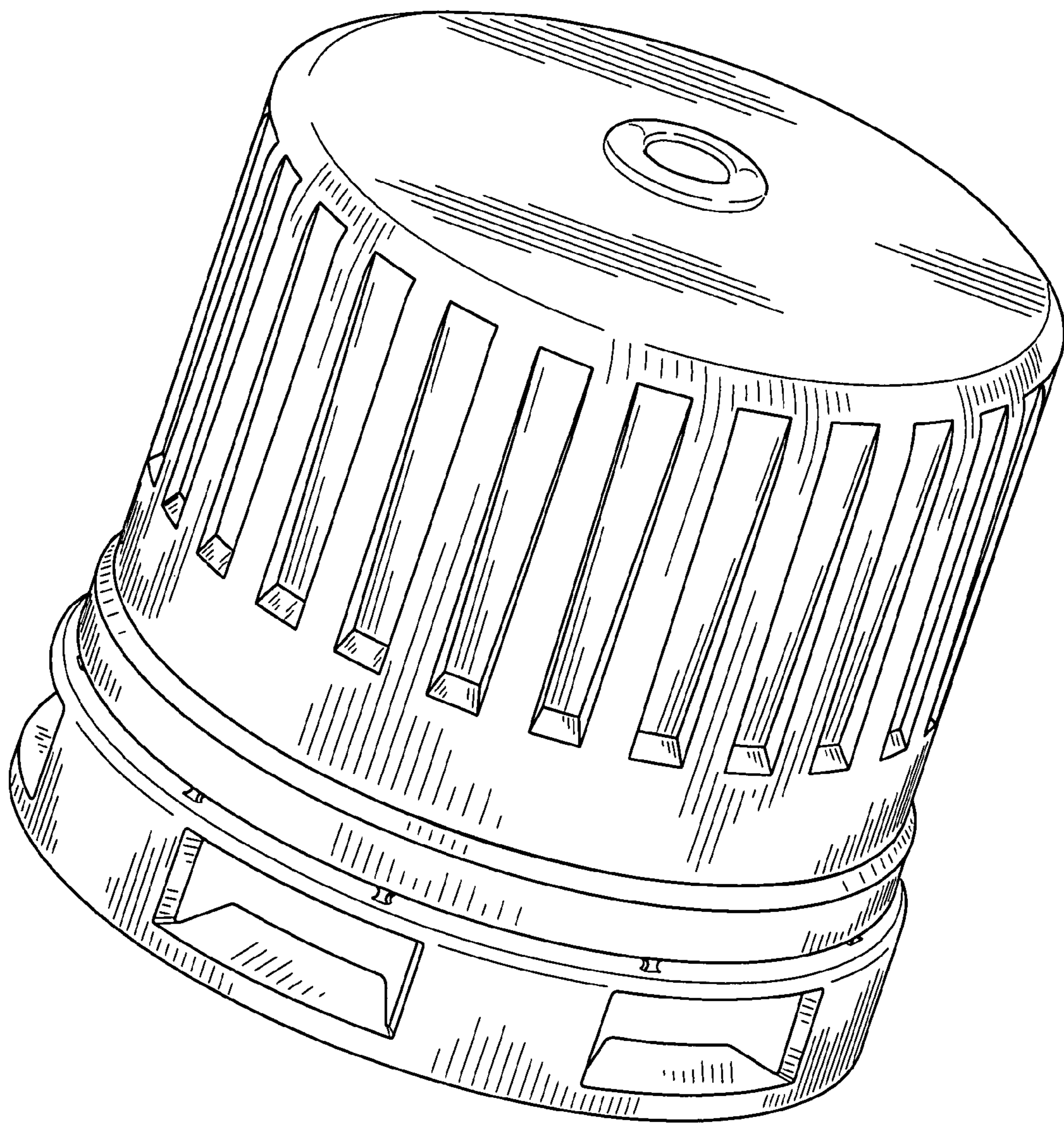


FIG. 1

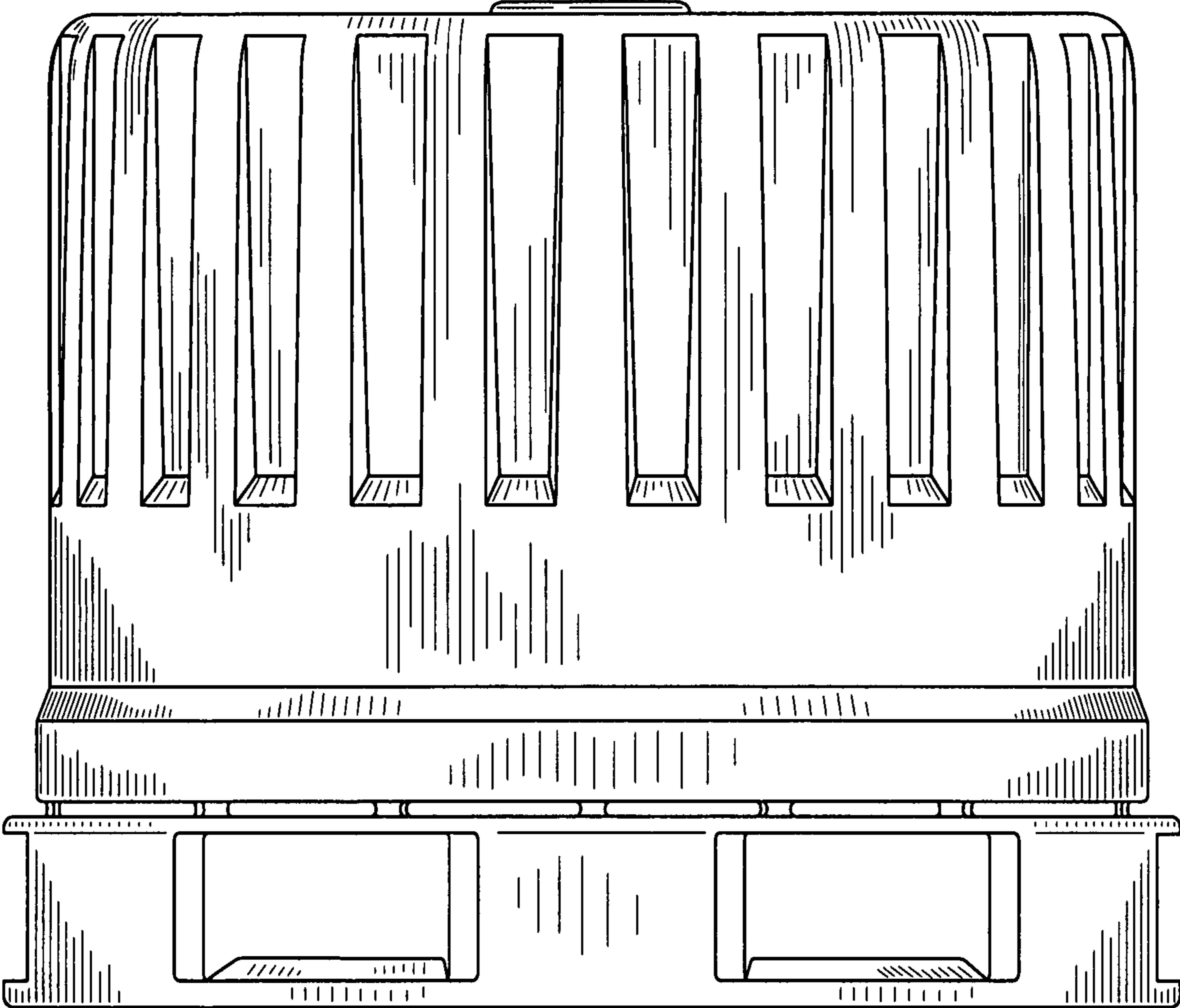


FIG. 2

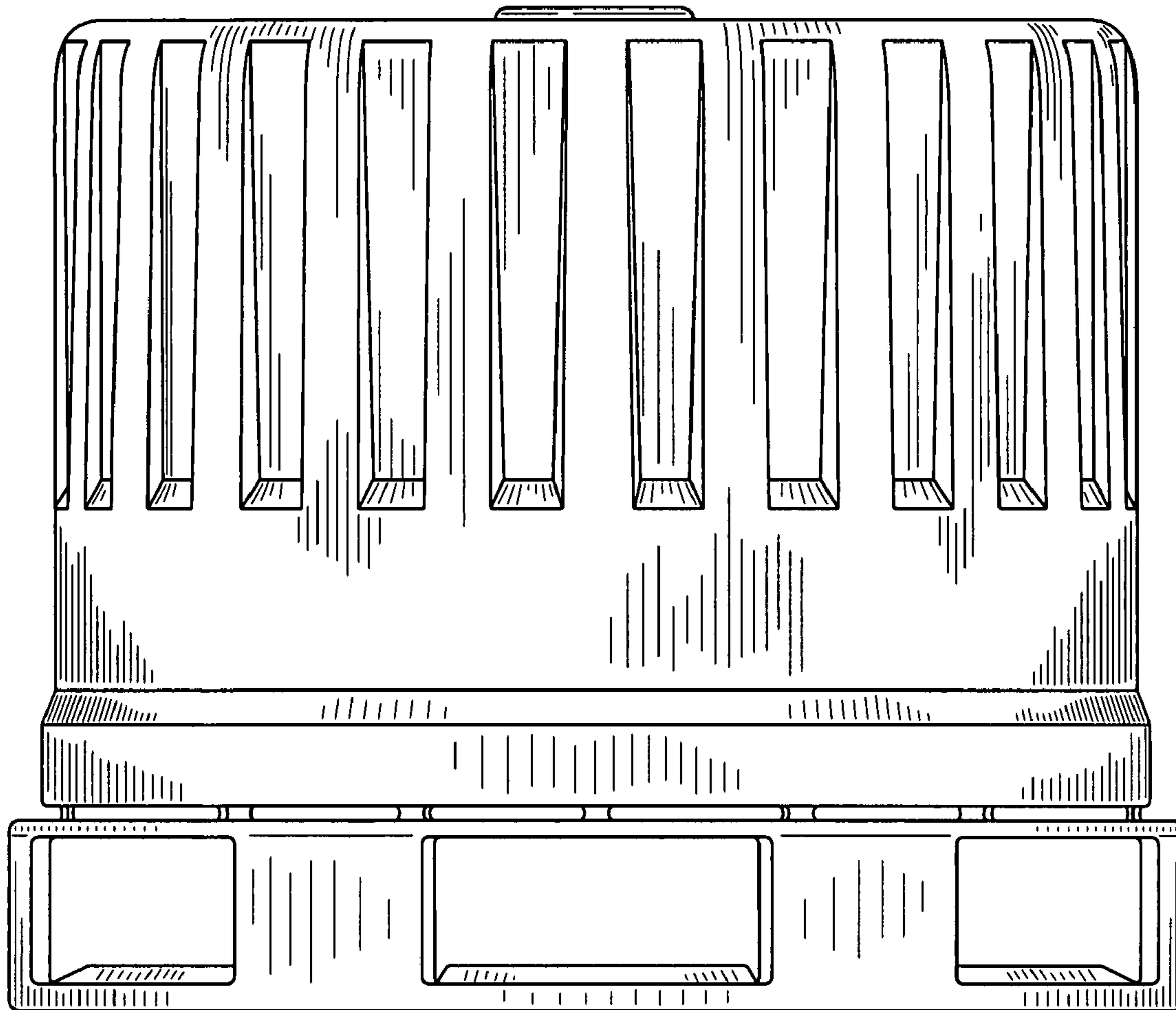


FIG. 3

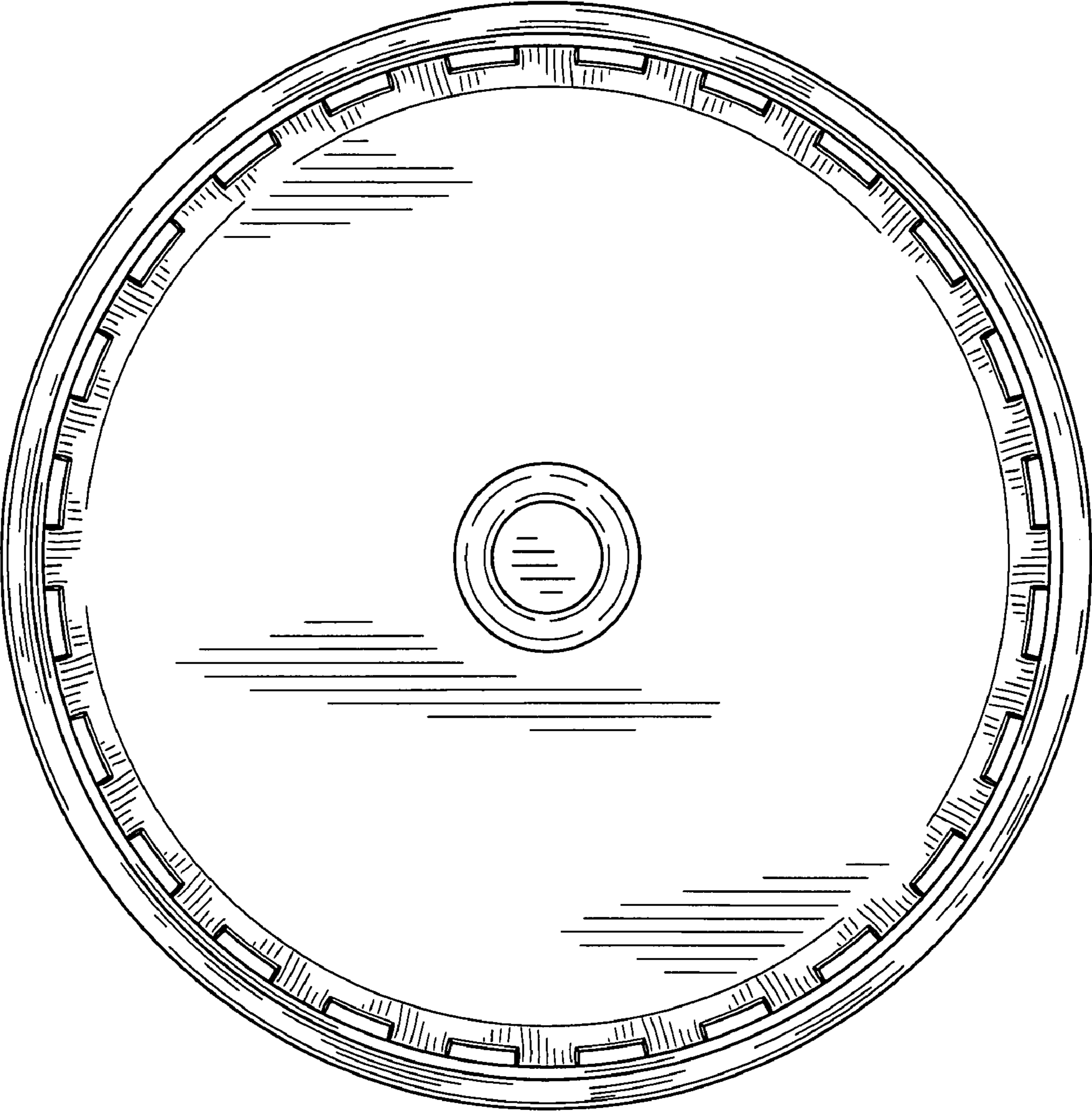


FIG. 4

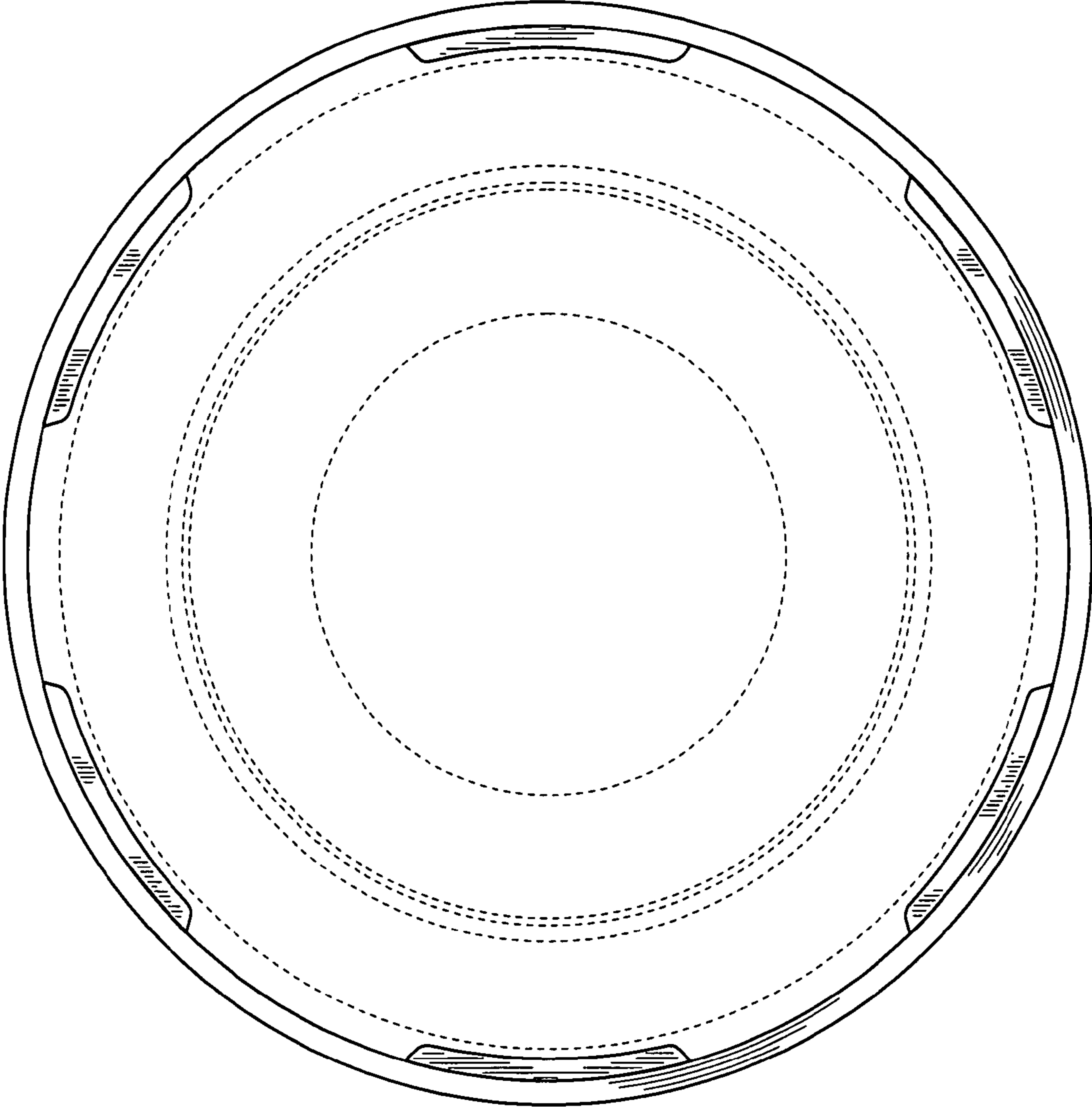


FIG. 5