



US00D561579S

(12) **United States Design Patent**
Aronson et al.

(10) **Patent No.: US D561,579 S**

(45) **Date of Patent: ** Feb. 12, 2008**

(54) **PACKAGING CONTAINER**

(75) Inventors: **Marc Aronson**, Bellmore, NY (US);
John B. Wildauer, Cherry Hill, NJ
(US)

(73) Assignee: **Cobra Products, Inc.**, Swedesboro, NJ
(US)

(**) Term: **14 Years**

(21) Appl. No.: **29/271,100**

(22) Filed: **Jan. 10, 2007**

(51) **LOC (8) Cl.** **09-03**

(52) **U.S. Cl.** **D9/415**

(58) **Field of Classification Search** D9/715,
D9/718, 722, 414, 415, 418, 419; D32/14;
D8/356-358; 206/303, 304, 702, 389, 397,
206/407, 408, 413, 415, 461-471, 493, 497,
206/525, 806, 822

See application file for complete search history.

(56) **References Cited**

U.S. PATENT DOCUMENTS

962,401	A *	6/1910	Dow	206/304
3,402,810	A *	9/1968	Percelay	206/461
D215,702	S *	10/1969	Kahn	D9/415
D234,122	S *	1/1975	Horblitt	D9/415
4,427,705	A *	1/1984	Wyslowsky et al.	426/106
D285,176	S *	8/1986	Kodousek et al.	D9/419
4,613,038	A *	9/1986	Kirk	206/216

4,643,305	A *	2/1987	De Roure Olivier	206/388
4,846,343	A *	7/1989	Rupert	206/303
D310,280	S *	8/1990	Moss	D32/14
6,029,815	A *	2/2000	Ali	206/349
D489,973	S *	5/2004	Root et al.	D9/415
D499,964	S *	12/2004	Elliott et al.	D9/415
D509,147	S *	9/2005	Selby	D9/715
D513,976	S *	1/2006	Milan	D9/415
D521,860	S *	5/2006	Lee et al.	D9/415
2005/0252807	A1 *	11/2005	Bott et al.	206/389

* cited by examiner

Primary Examiner—Catherine Tuttle

(74) *Attorney, Agent, or Firm*—Edgar A. Zarins; Lloyd D. Doigan

(57) **CLAIM**

The ornamental design for a packaging container, as shown and described.

DESCRIPTION

FIG. 1 is a perspective view of a packaging container showing our new design;

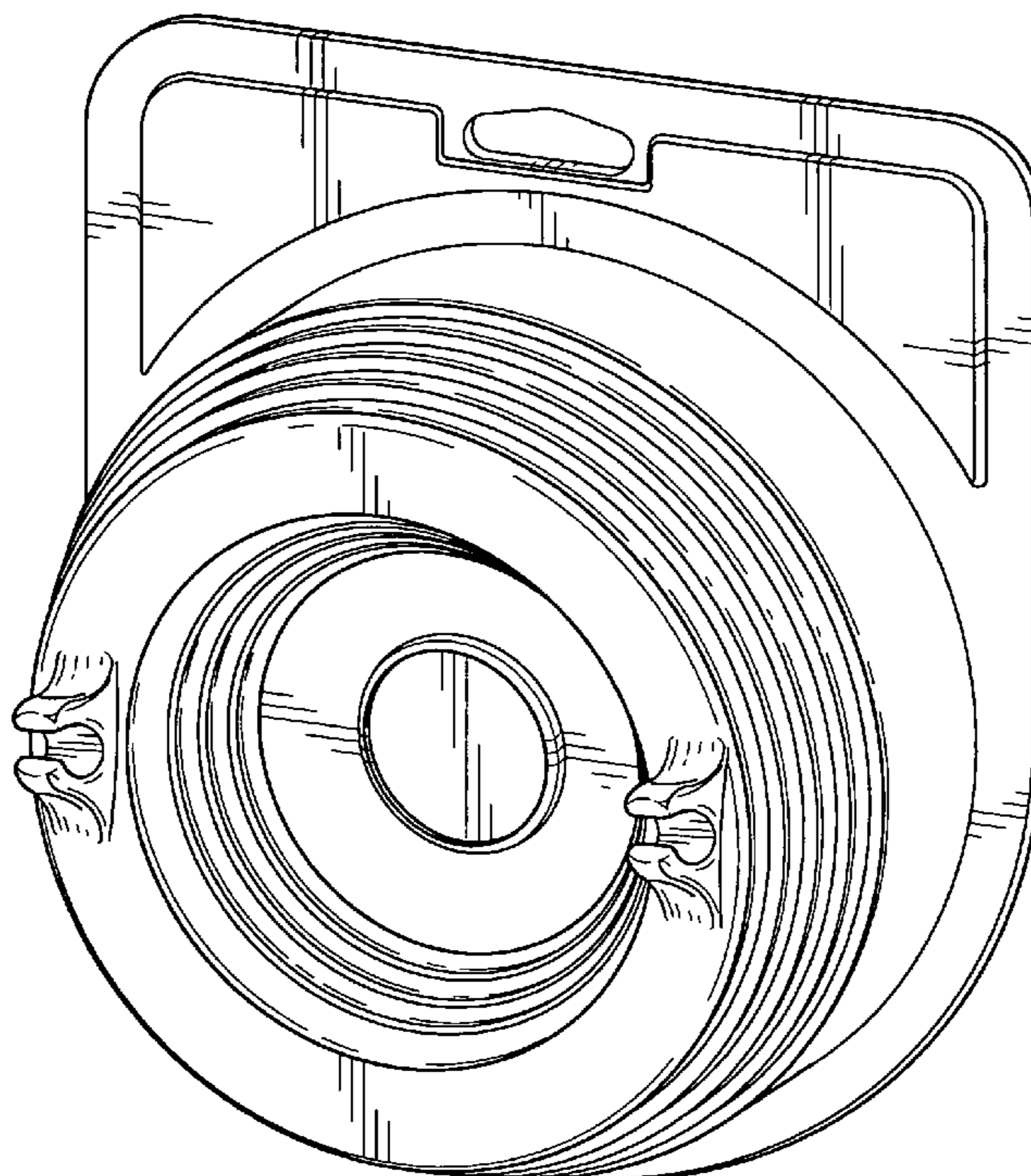
FIG. 2 is a front elevational view thereof;

FIG. 3 is a top plan view thereof;

FIG. 4 is a left side view thereof, the opposite side being a mirror image of the side shown; and,

FIG. 5 is a bottom plan view thereof.

1 Claim, 3 Drawing Sheets



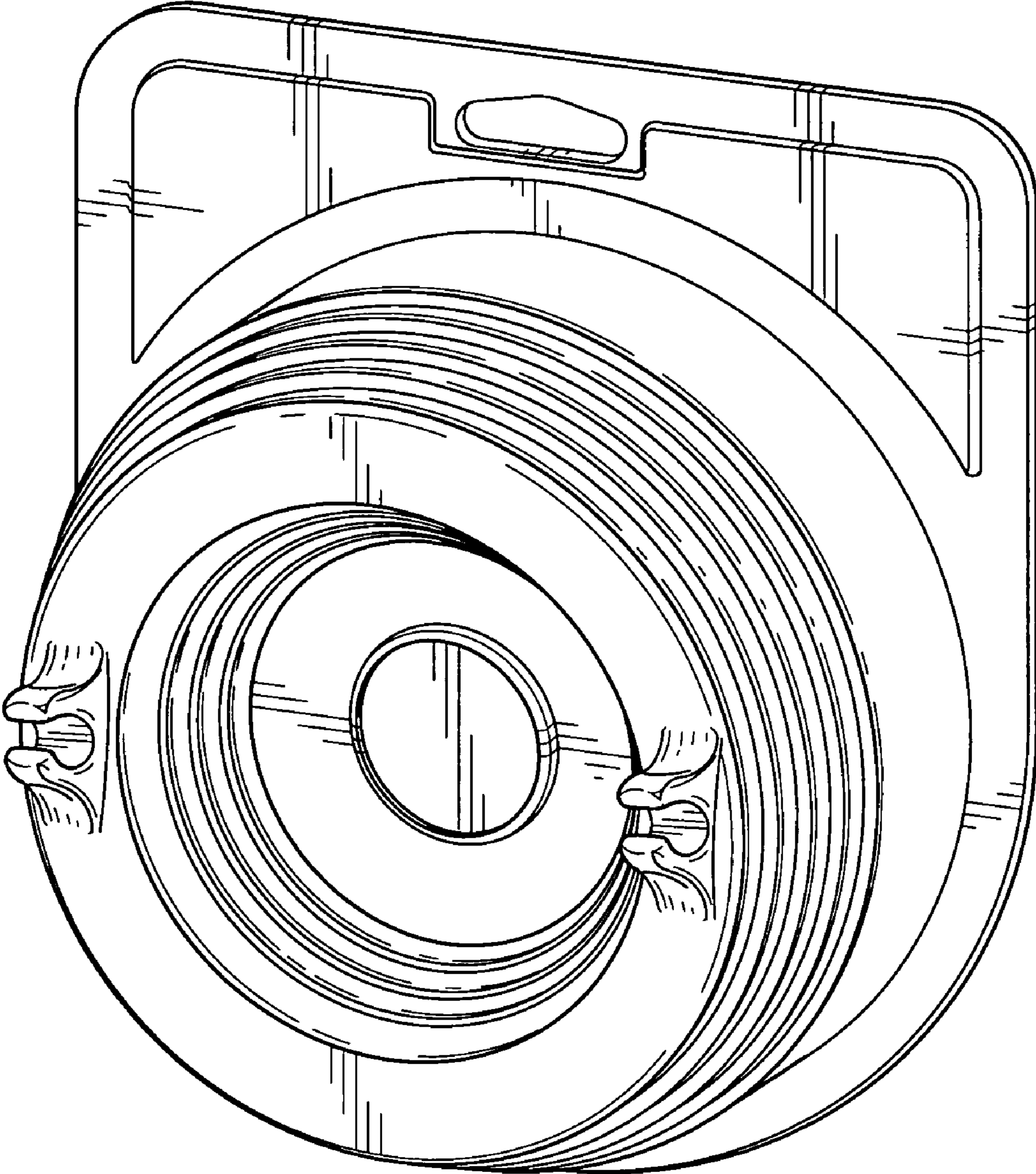


Fig-1

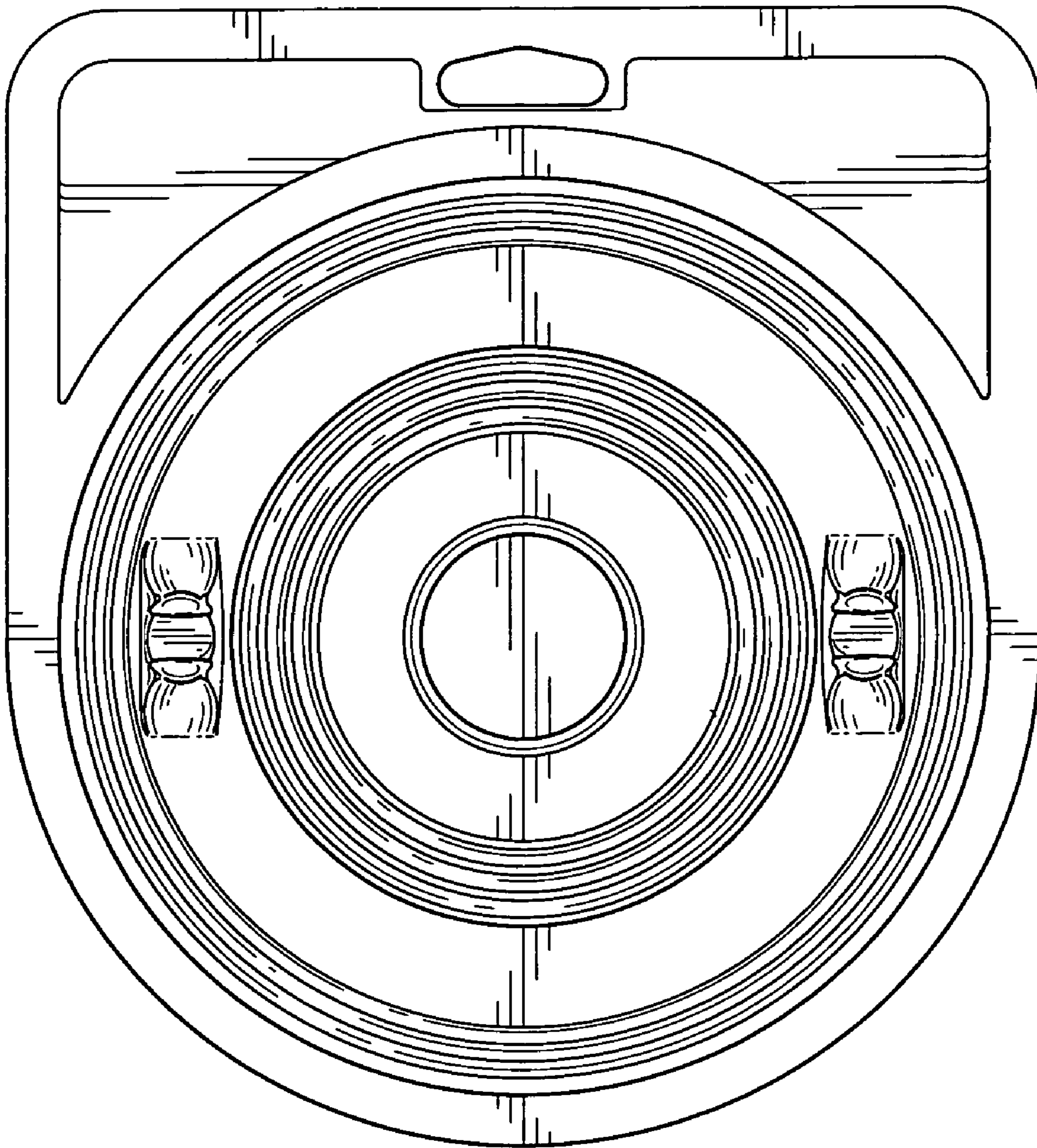


Fig-2

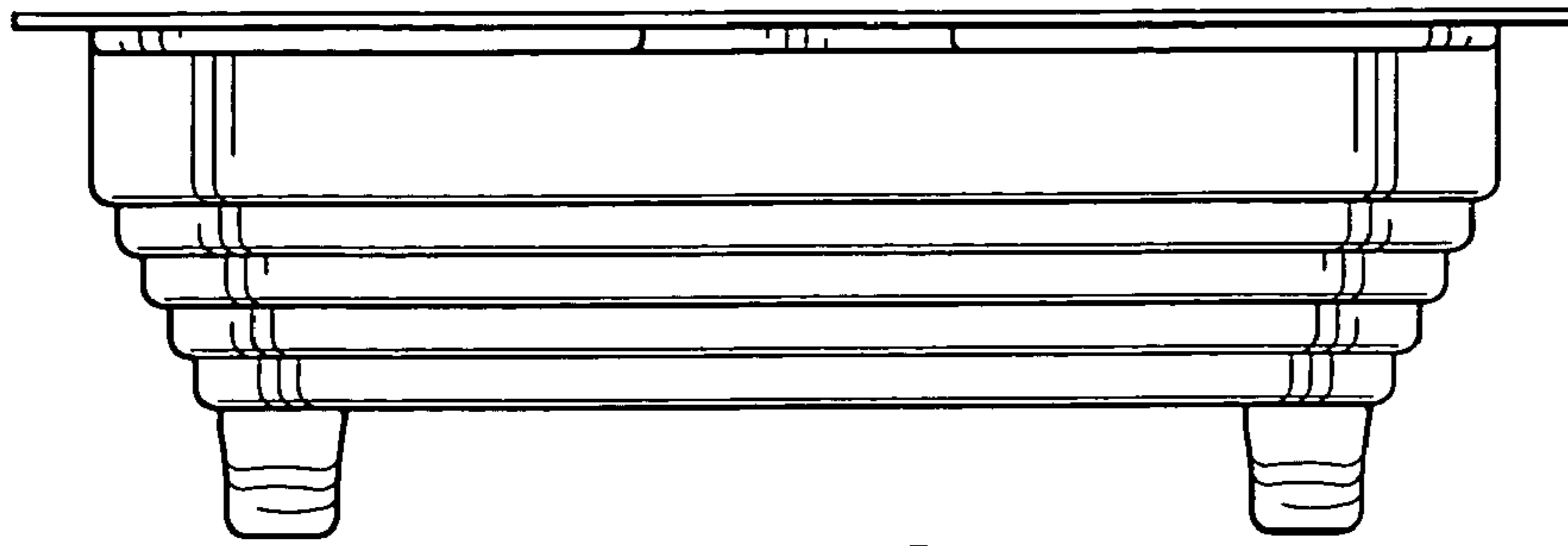


Fig-3

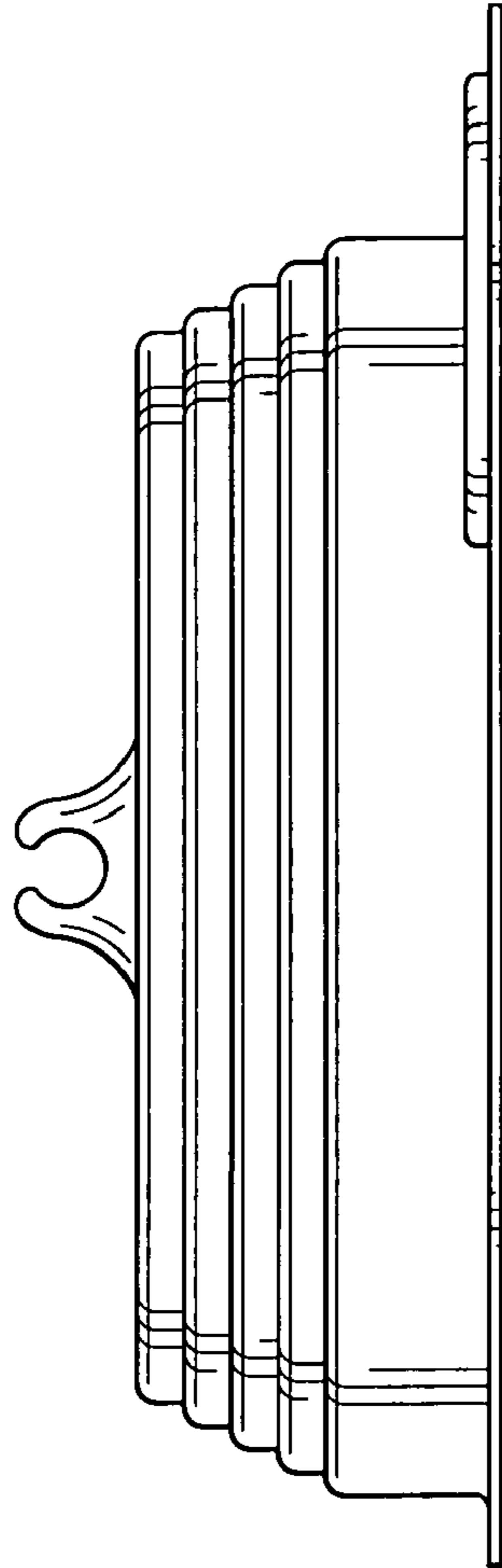


Fig-4

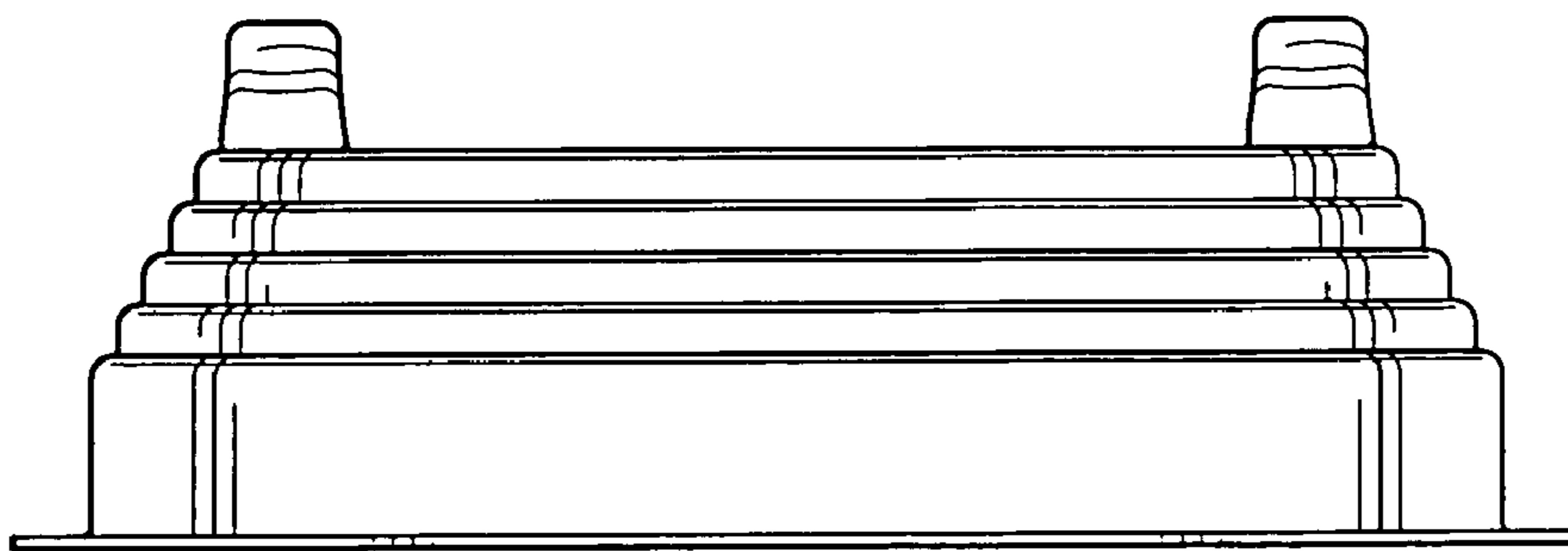


Fig-5