

US00D561578S

(12) **United States Design Patent**
Smith

(10) **Patent No.: US D561,578 S**

(45) **Date of Patent: ** Feb. 12, 2008**

(54) **PACKAGING**

(75) Inventor: **Steffen J. Smith**, View Park, CA (US)

(73) Assignee: **MGA Entertainment, Inc.**, Van Nuys, CA (US)

(**) Term: **14 Years**

(21) Appl. No.: **29/285,623**

(22) Filed: **Apr. 4, 2007**

(51) **LOC (8) Cl.** **09-03**

(52) **U.S. Cl.** **D9/414; D9/418; D9/433**

(58) **Field of Classification Search** D9/600-675,
D9/702-722, 414-433; 206/278-299, 395,
206/423, 457, 459.5, 775-783, 525, 525.1,
206/822; 229/100, 103.2, 103.3, 106-116.1,
229/116.5, 182.1, 162.1, 162.4, 162.5, 162.7,
229/164, 922, 87.06

See application file for complete search history.

(56) **References Cited**

U.S. PATENT DOCUMENTS

D92,775 S *	7/1934	Sekine	D9/418
2,067,998 A	1/1937	Williamson		
2,203,697 A *	6/1940	Rinkel	229/116.1
D138,749 S *	9/1944	Sumbardo	D9/418
2,593,143 A *	4/1952	Hendrick	206/773
3,145,898 A *	8/1964	Struble	229/113
D208,672 S *	9/1967	Schnur	D9/414
3,369,727 A	2/1968	Wright		
3,731,872 A	5/1973	McCormick		
3,912,156 A *	10/1975	May	229/116.1
5,155,951 A	10/1992	Lalvani		
5,938,107 A *	8/1999	Anchor et al.	229/109

D426,154 S *	6/2000	de Baschmakoff	D9/432
D447,689 S	9/2001	Navet et al.		
D450,579 S	11/2001	Lancman		
D451,017 S	11/2001	Lancman		
D451,385 S	12/2001	Bryan et al.		
D461,404 S	8/2002	Steiger		
D468,638 S *	1/2003	Nogami et al.	D9/430
D486,731 S	2/2004	Meeker et al.		
D498,673 S *	11/2004	Weiss	D9/418
7,000,775 B2 *	2/2006	Gelardi et al.	206/776
D536,964 S	2/2007	Smith et al.		
2007/0138242 A1 *	6/2007	Fitzwater	229/116.1

* cited by examiner

Primary Examiner—Catherine Tuttle

(74) *Attorney, Agent, or Firm*—Sheppard, Mullin, Richter & Hampton LLP

(57) **CLAIM**

I claim the ornamental design for the packaging, as shown and described.

DESCRIPTION

FIG. 1 is a perspective view of a packaging showing the new design;

FIG. 2 is a front elevational view thereof;

FIG. 3 is a left side elevational view thereof;

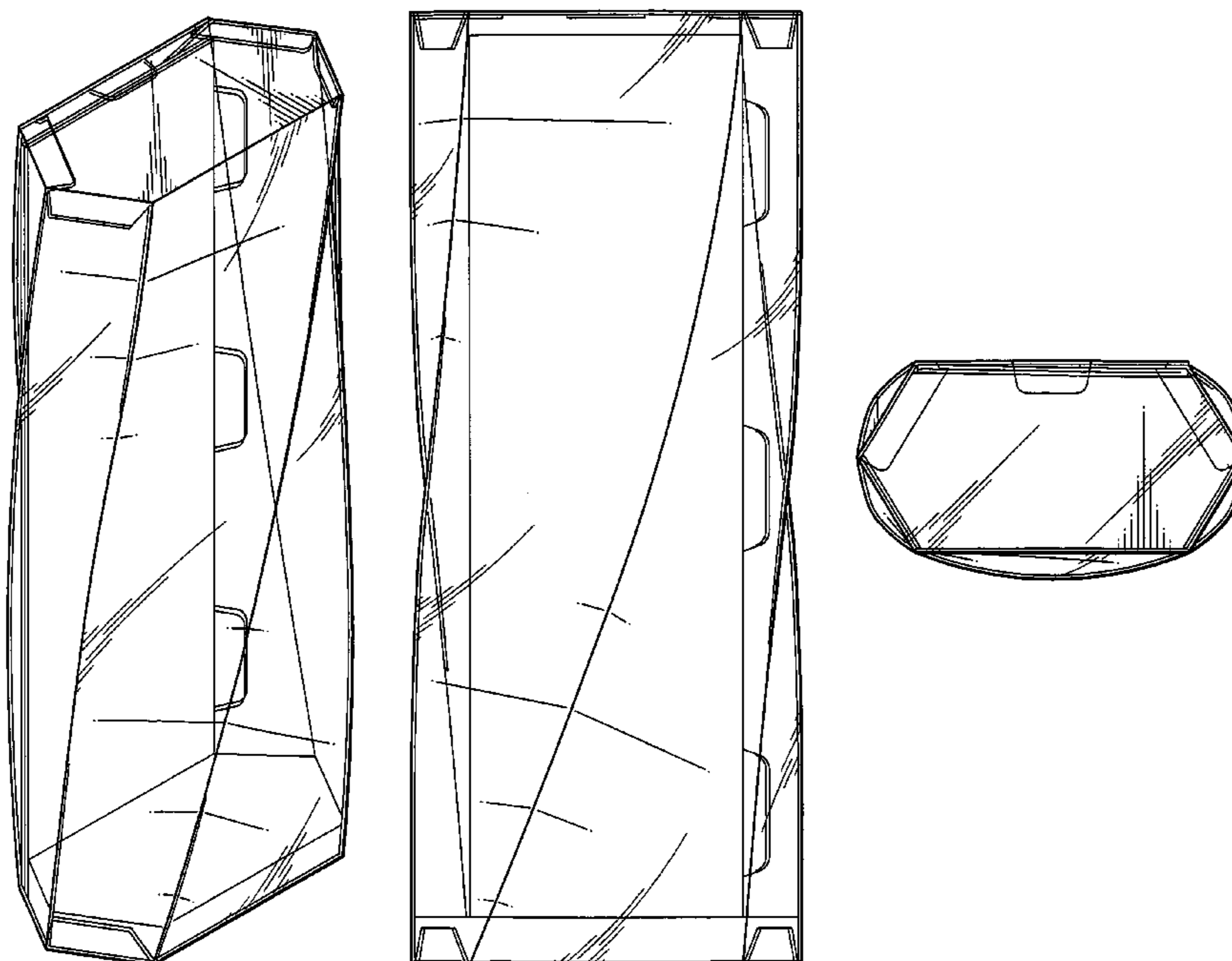
FIG. 4 is a right side elevational view thereof;

FIG. 5 is a rear elevational view thereof;

FIG. 6. is a top plan view thereof; and,

FIG. 7 is a bottom plan view thereof.

1 Claim, 5 Drawing Sheets



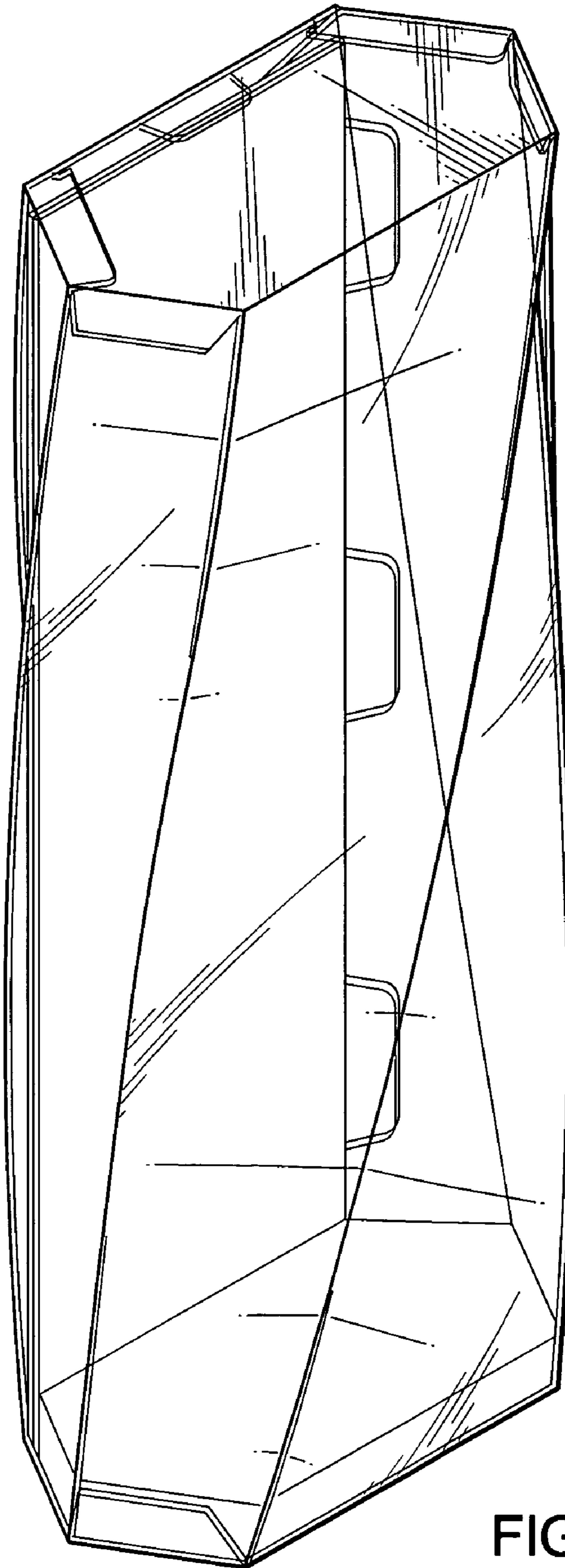


FIG. 1

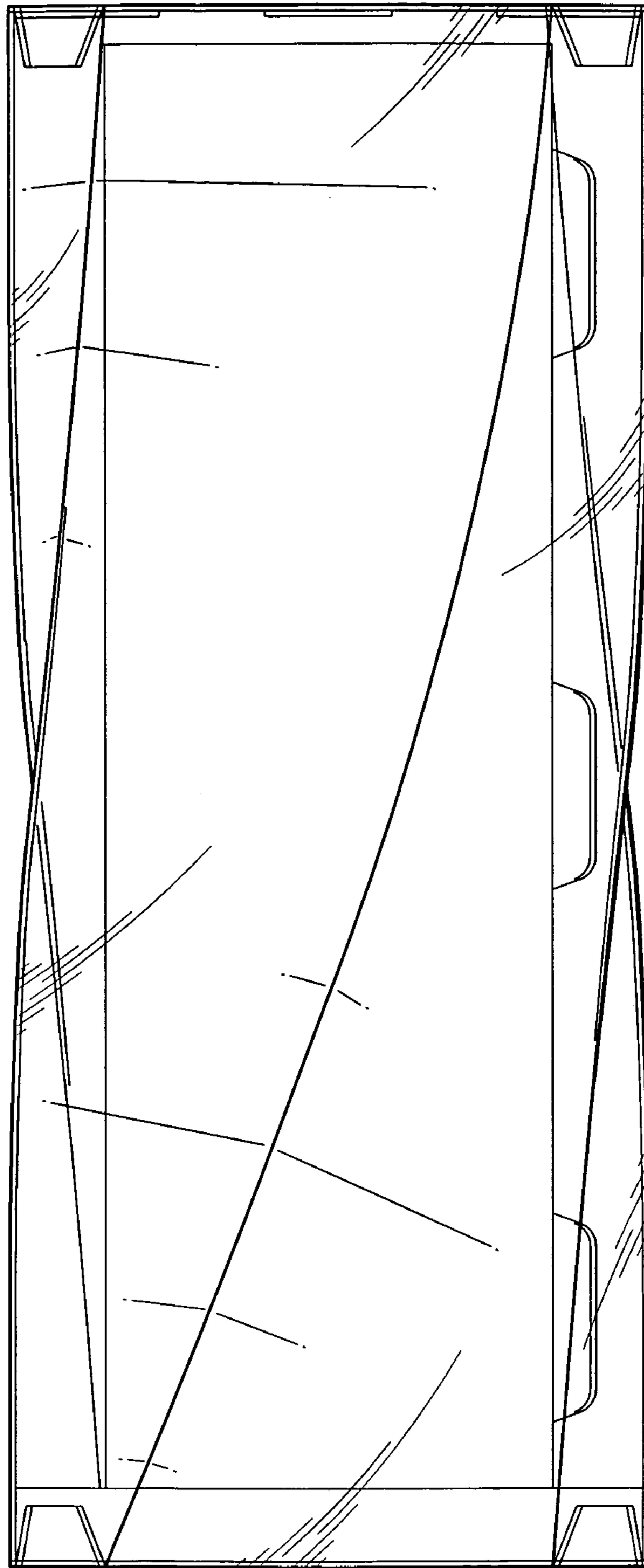


FIG. 2

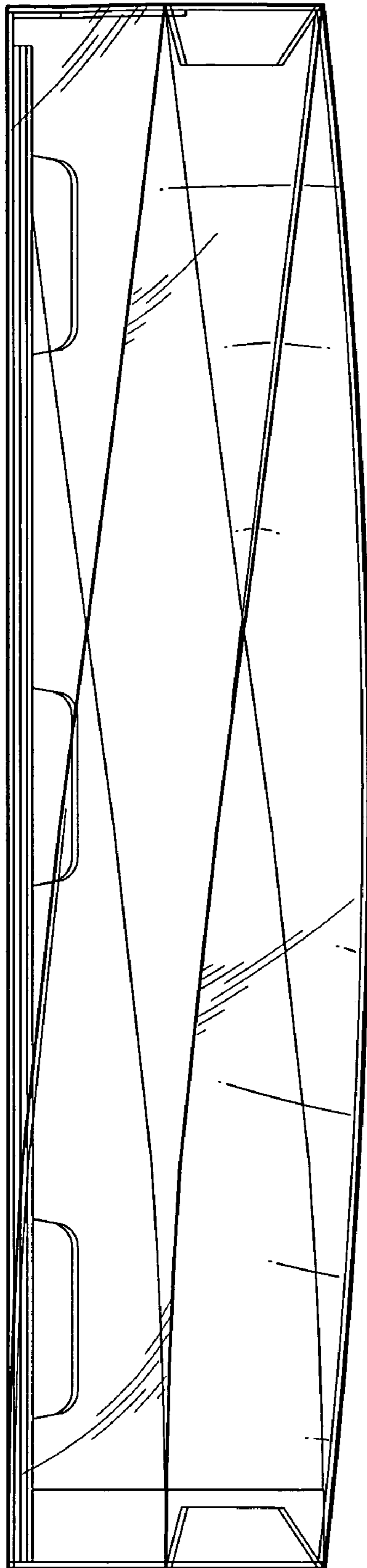


FIG. 3

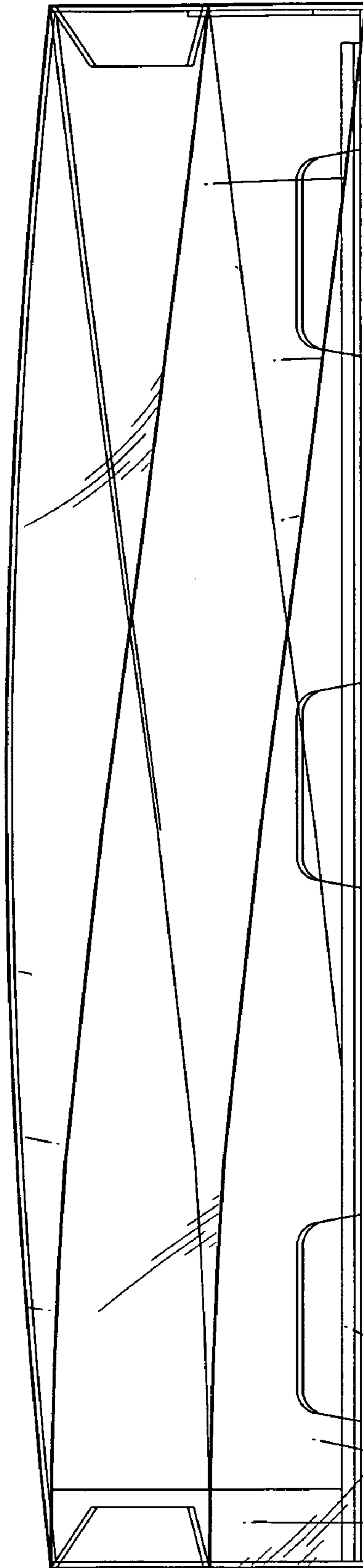


FIG. 4

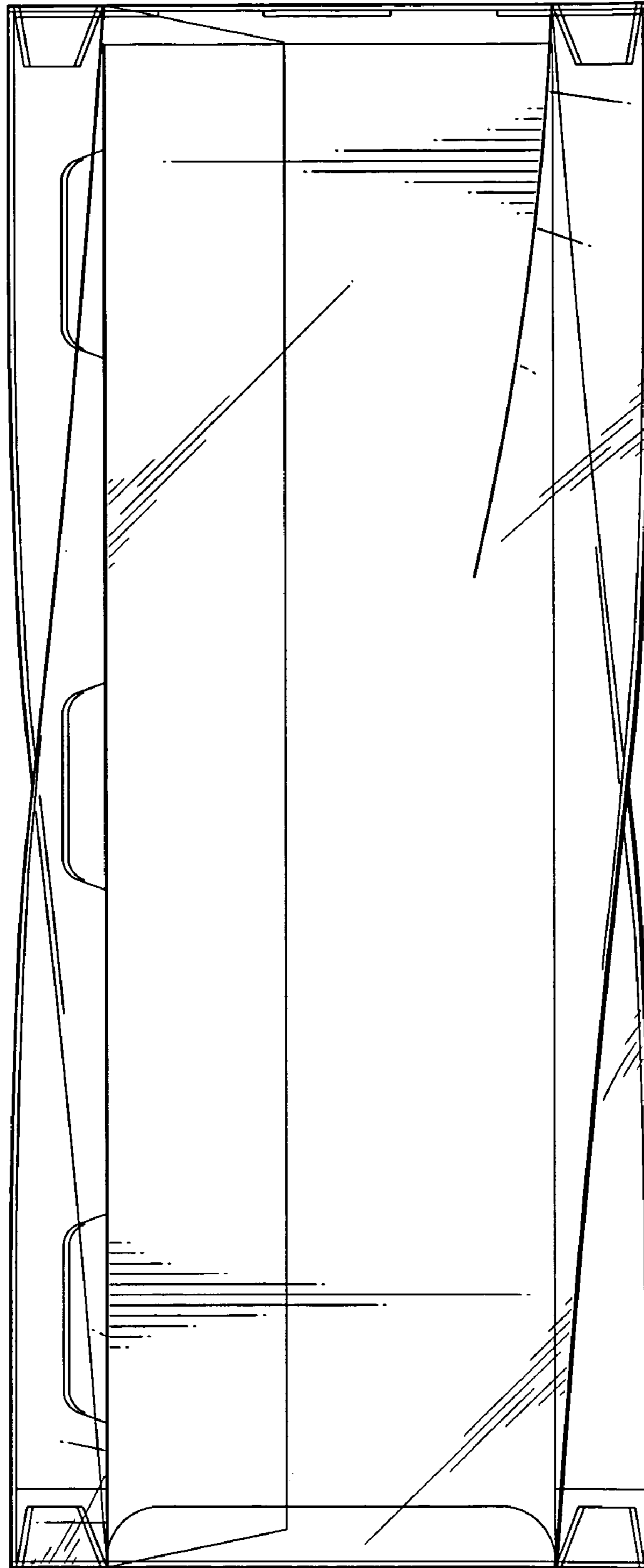


FIG. 5

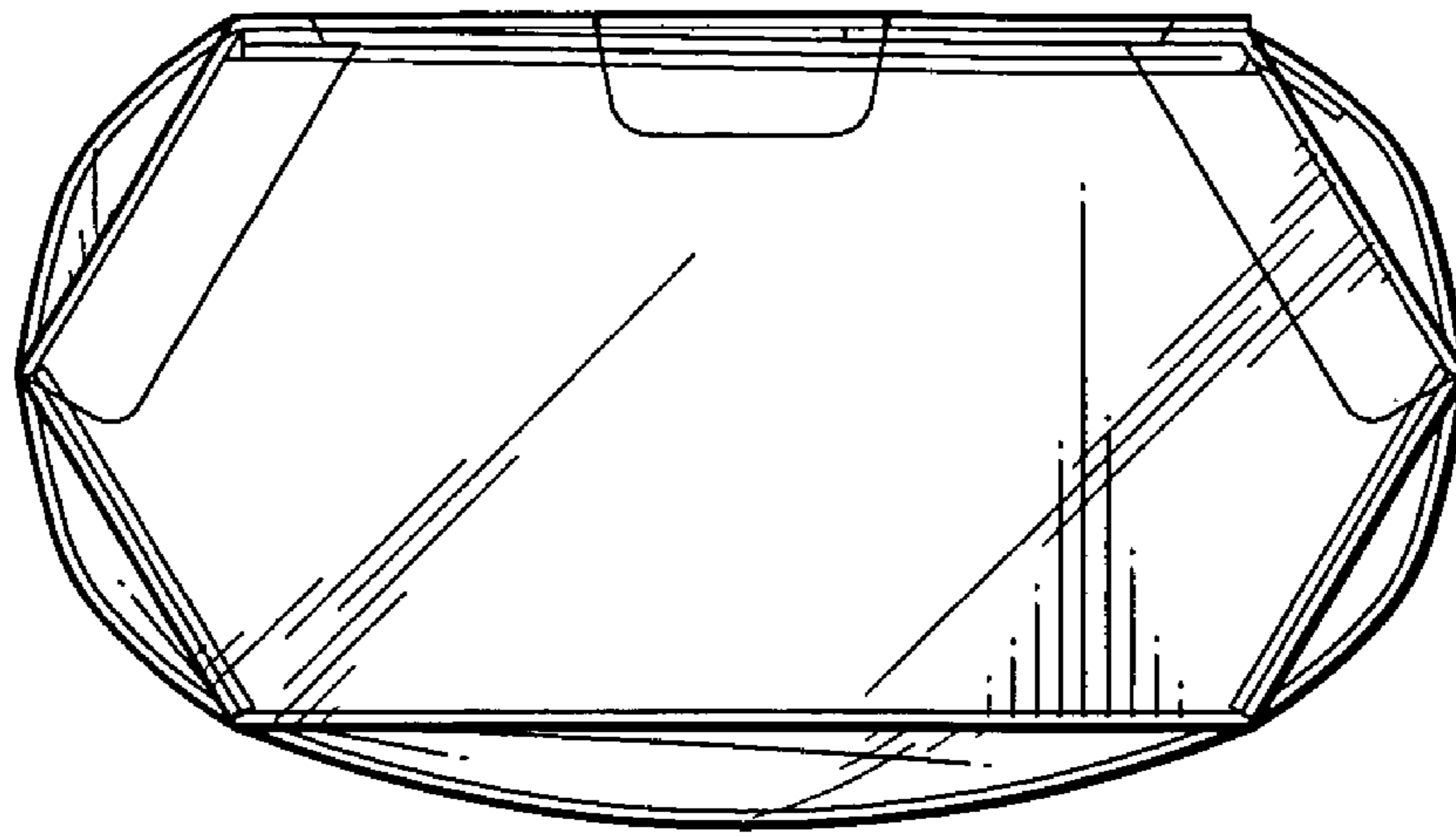


FIG. 6

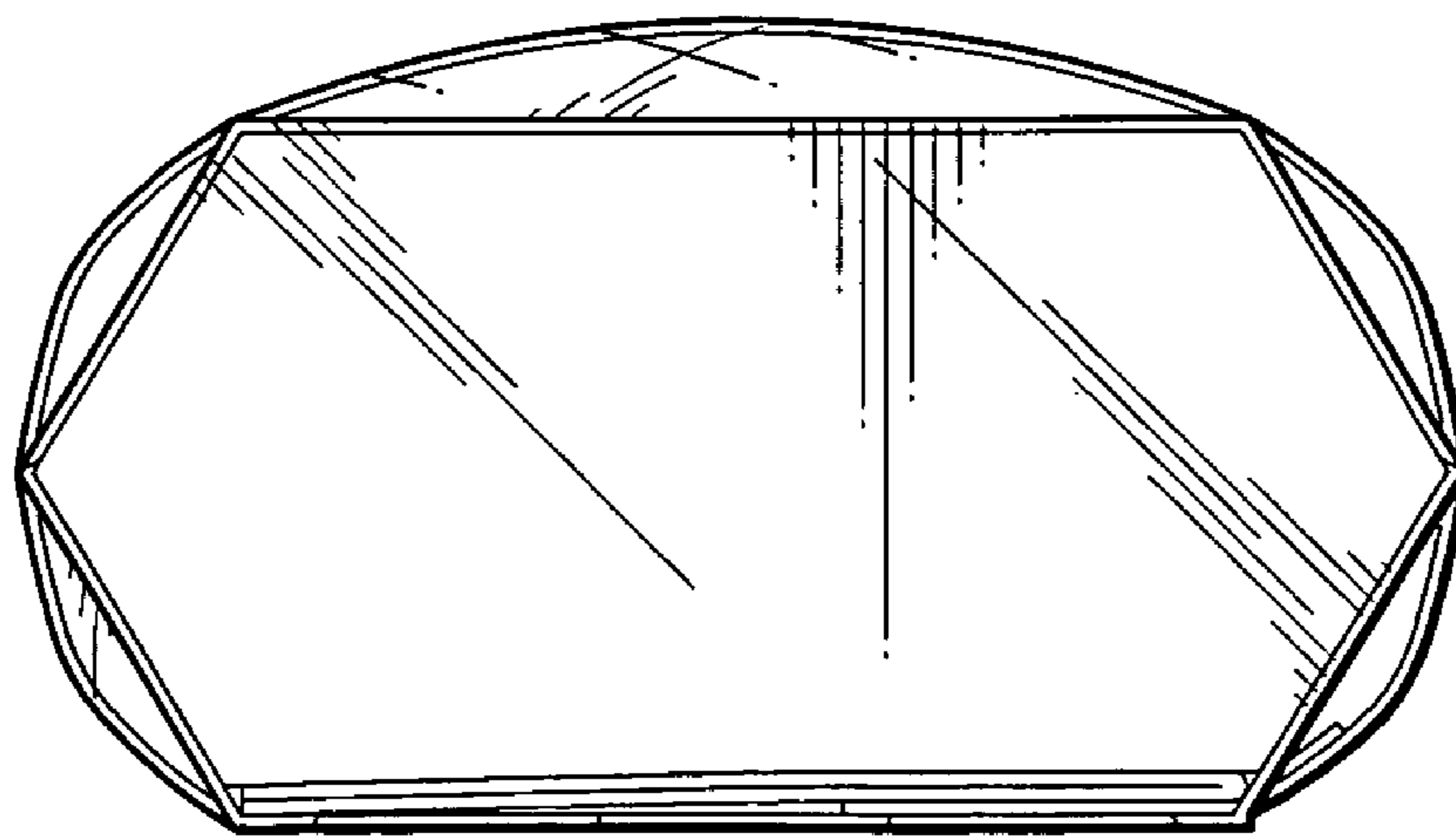


FIG. 7