



US00D561568S

(12) **United States Design Patent**
Spadotto

(10) **Patent No.:** **US D561,568 S**
(45) **Date of Patent:** **** Feb. 12, 2008**

(54) **HOSE WINDING DEVICE WITH CRANK**

D505,859 S * 6/2005 Suzuki D8/358

(75) Inventor: **Oliviano Spadotto**, Pordenone (IT)

* cited by examiner

(73) Assignee: **Claber S.p.A.**, Fiume Veneto (PN) (IT)

Primary Examiner—Gary D. Watson

Assistant Examiner—Susan Bennett Hattan

(**) Term: **14 Years**

(74) *Attorney, Agent, or Firm*—Jacobson Holman PLLC

(21) Appl. No.: **29/274,517**

(57) **CLAIM**

(22) Filed: **Apr. 30, 2007**

I claim the ornamental design for “hose winding device with crank,” as shown and described.

(30) **Foreign Application Priority Data**

Oct. 31, 2006 (EM) 000623699

DESCRIPTION

(51) **LOC (8) Cl.** **08-05**

FIG. 1 shows a perspective view of a hose winding device with crank;

(52) **U.S. Cl.** **D8/359**

(58) **Field of Classification Search** D8/360.1,
D8/359, 358, 356; D30/160; D19/69, 67;
D13/155, 154, 137.4; D10/72; 379/438;
242/916, 601, 570, 405, 404, 371, 223, 170;
191/12.4, 12.2 R; 446/26

FIG. 2 shows a right-hand lateral view of the hose winding device with crank of FIG. 1;

FIG. 3 shows a left-hand lateral view of the hose winding device with crank of FIG. 1;

See application file for complete search history.

FIG. 4 shows a rear view of the hose winding device with crank of FIG. 1;

(56) **References Cited**

U.S. PATENT DOCUMENTS

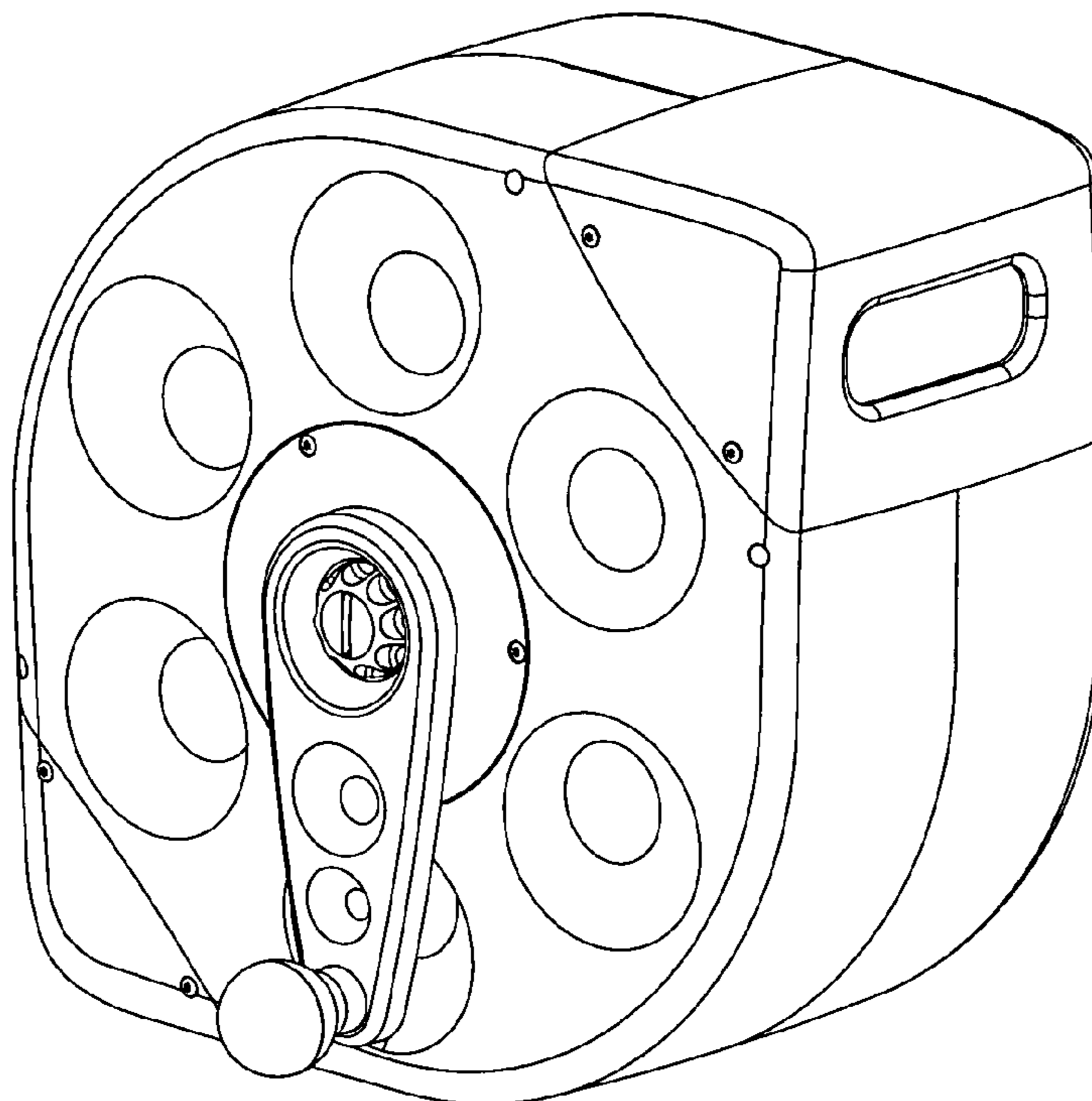
D352,232 S * 11/1994 Apgar D8/359
D430,047 S * 8/2000 Martone et al. D10/72
D445,045 S * 7/2001 Olson D10/72
D451,075 S * 11/2001 Hwang D13/154
D458,534 S * 6/2002 Morris et al. D8/358
D461,168 S * 8/2002 Liao D13/155

FIG. 5 shows a front view of the hose winding device with crank of FIG. 1;

FIG. 6 shows a top view of the hose winding device with crank of FIG. 1; and,

FIG. 7 shows a bottom view of the hose winding device with crank of FIG. 1.

1 Claim, 7 Drawing Sheets



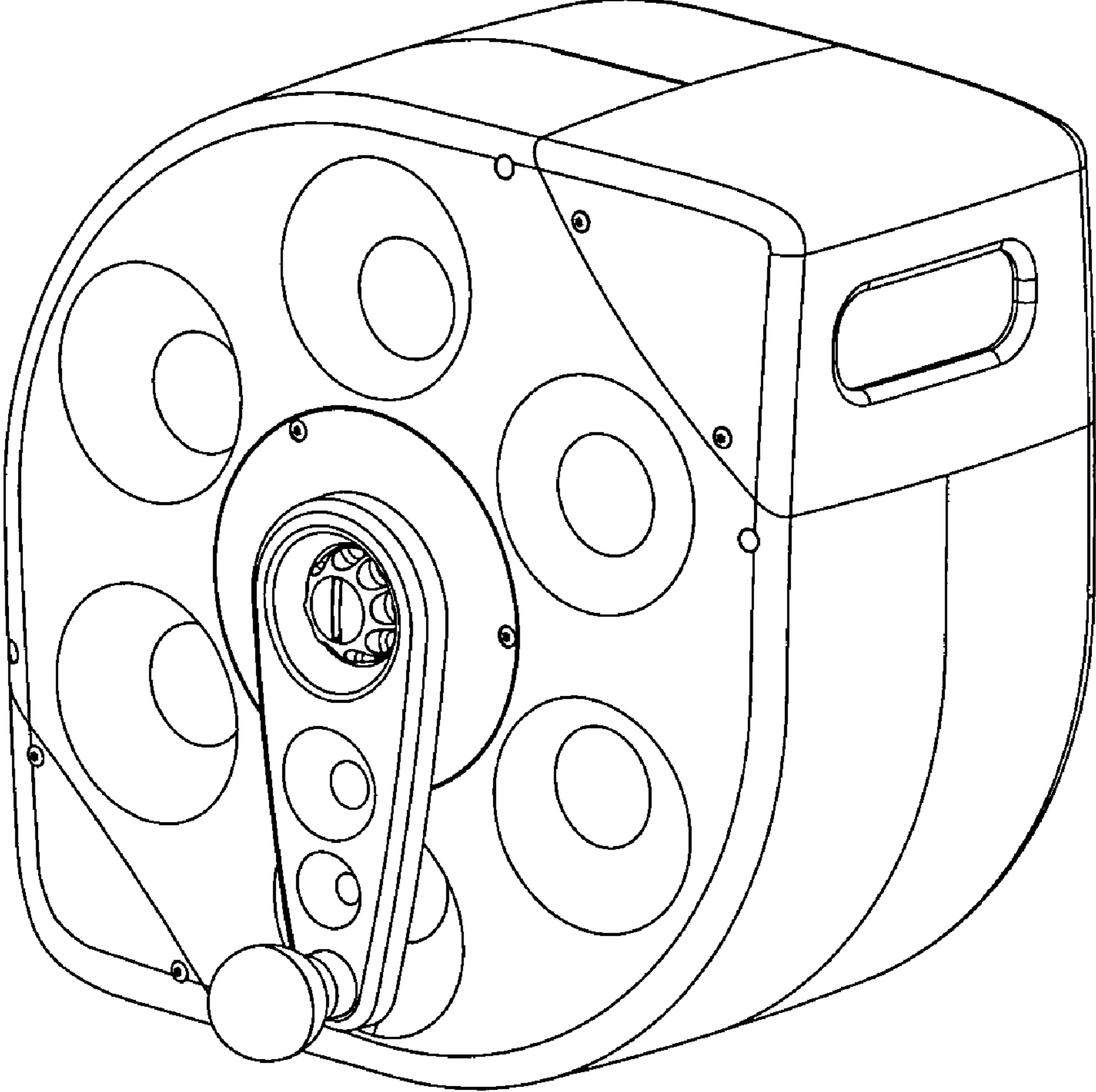


FIG. 1

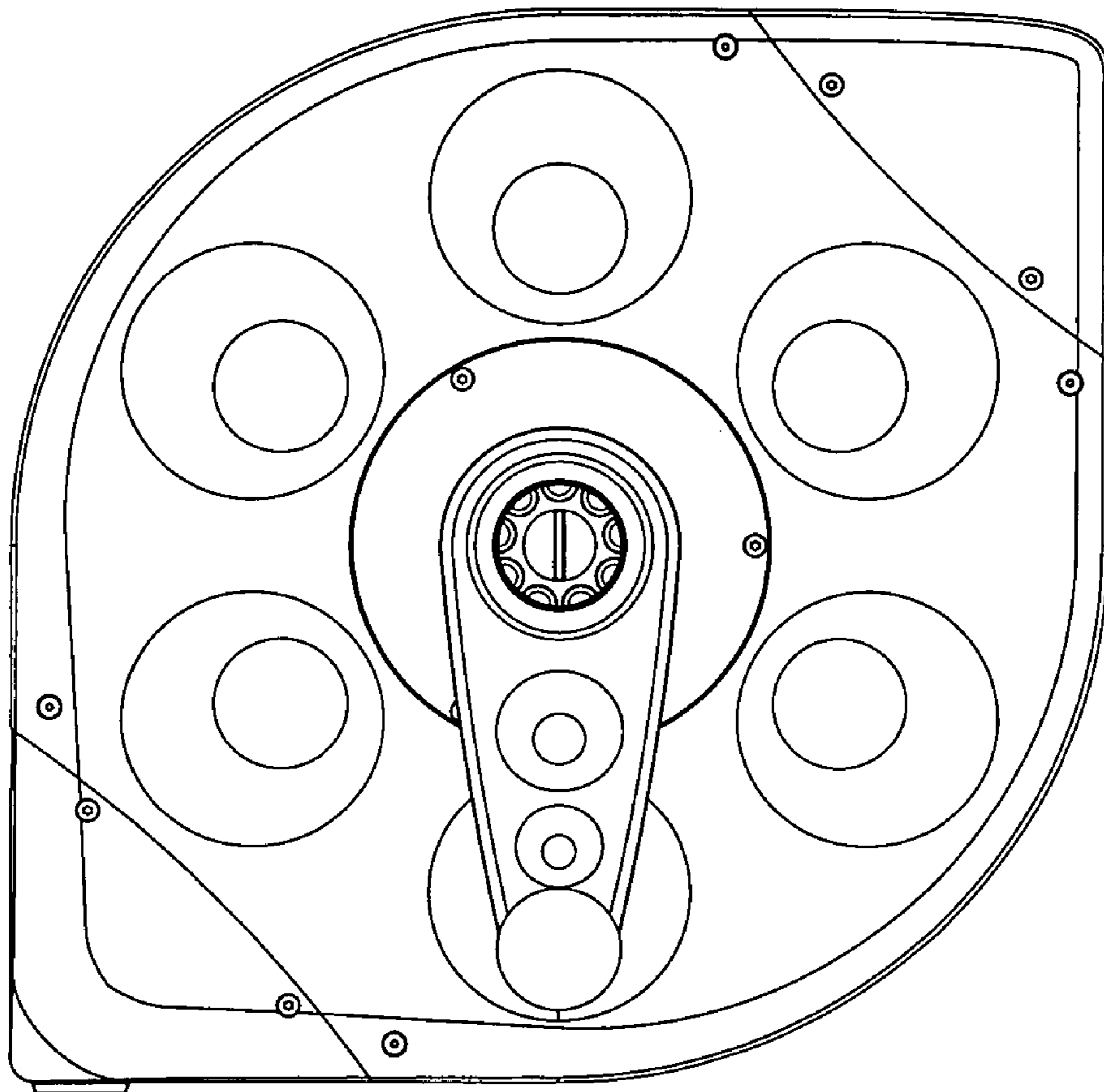


FIG. 2

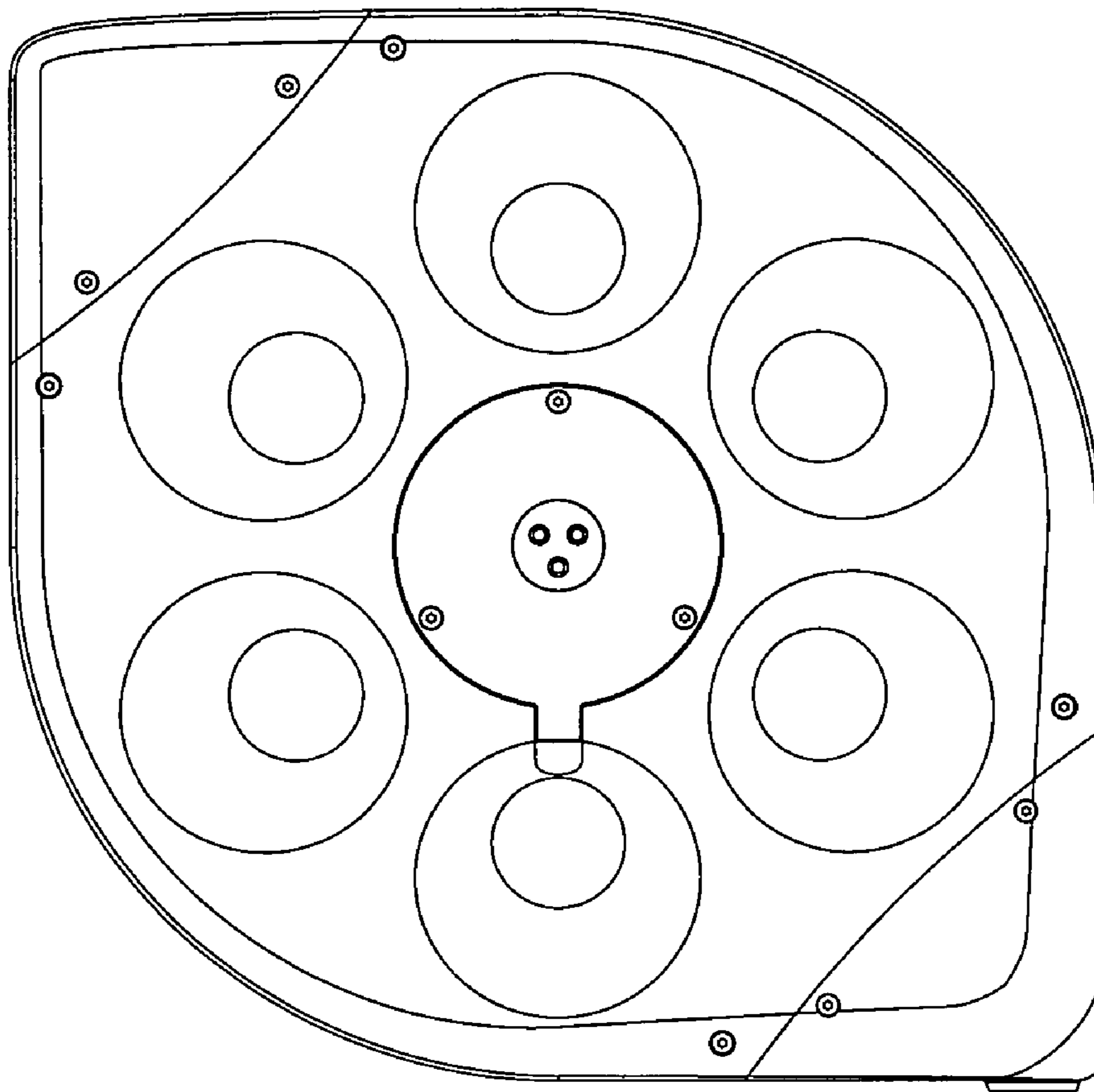


FIG.3

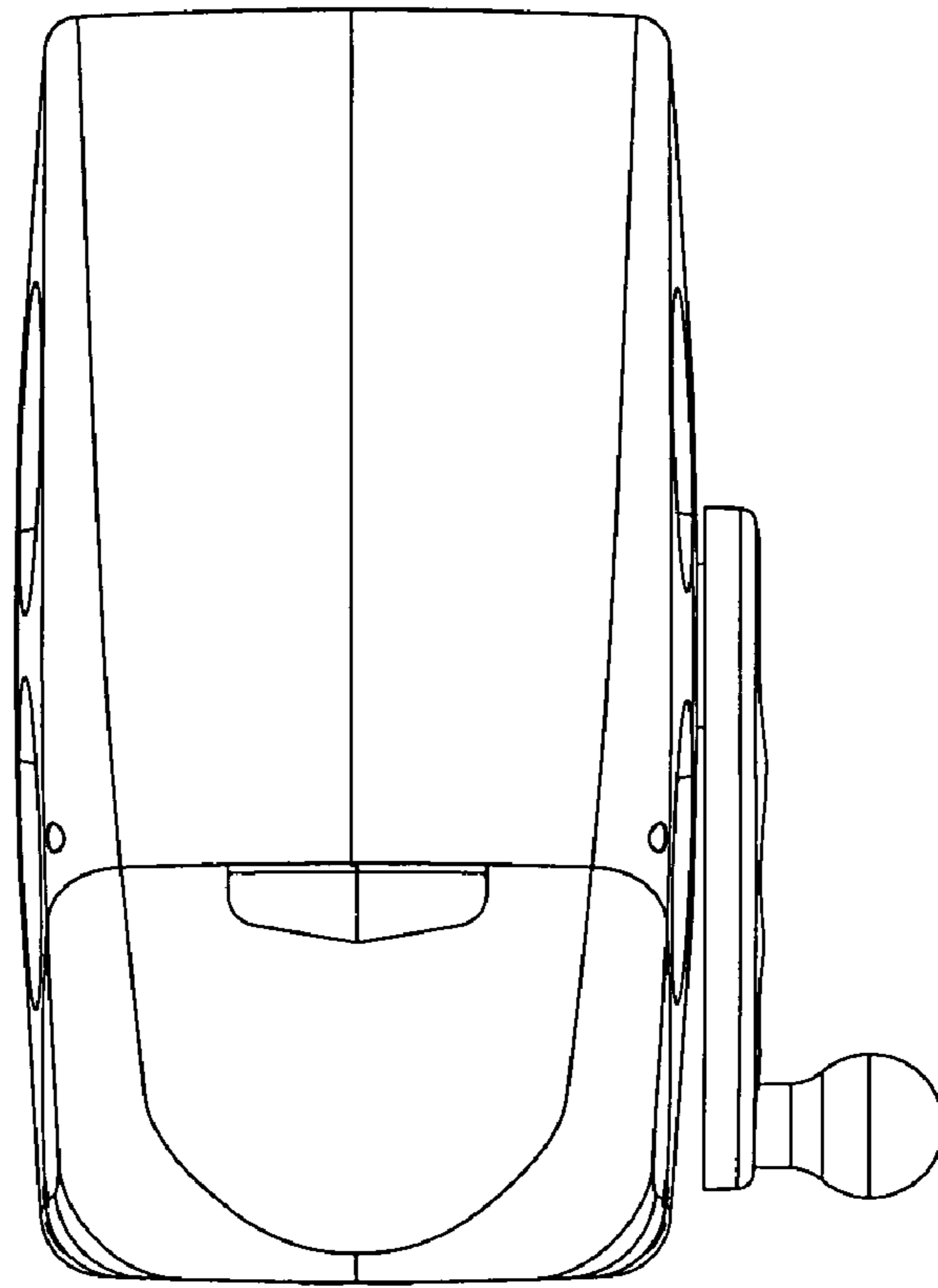


FIG.4

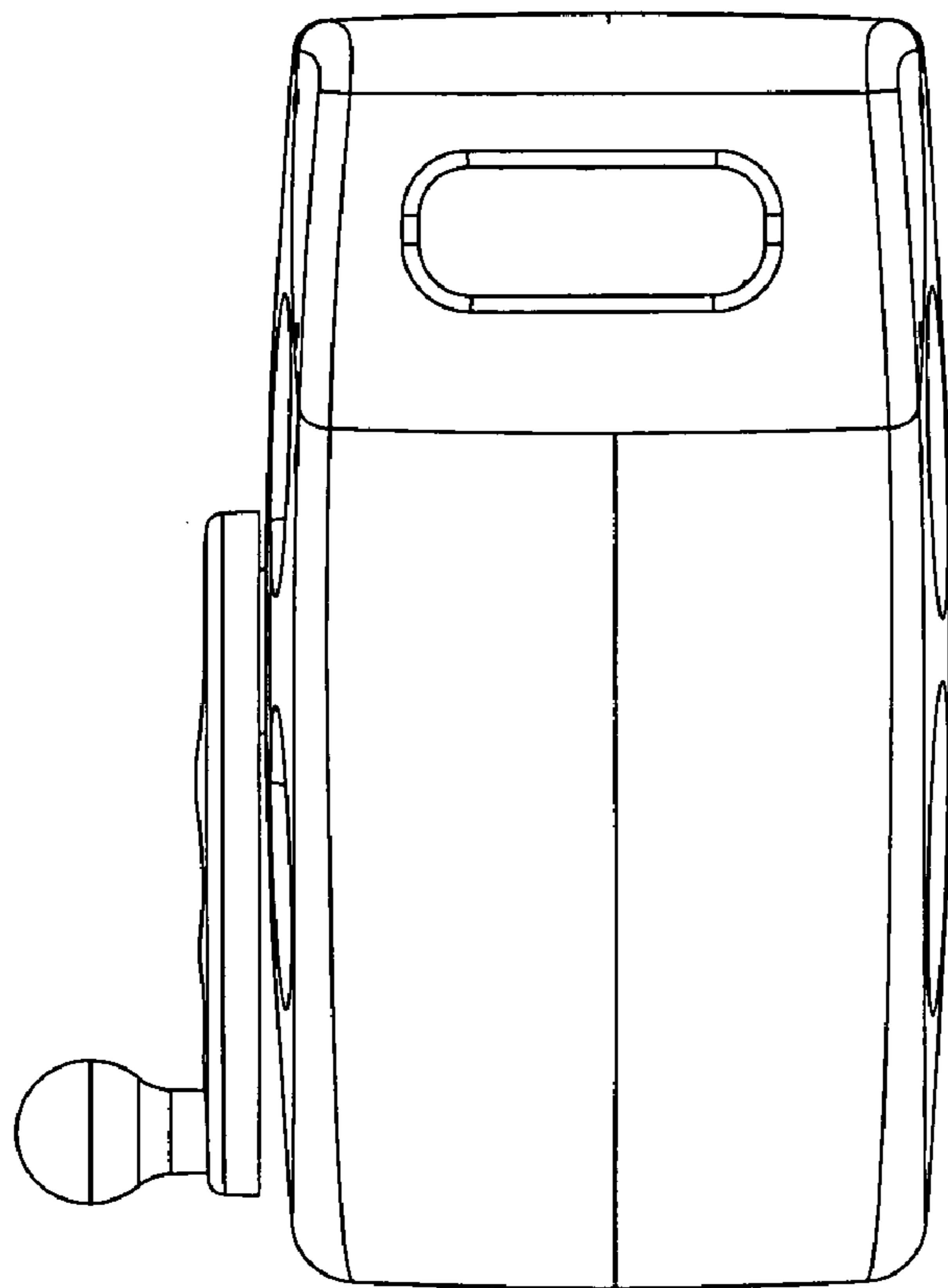


FIG.5

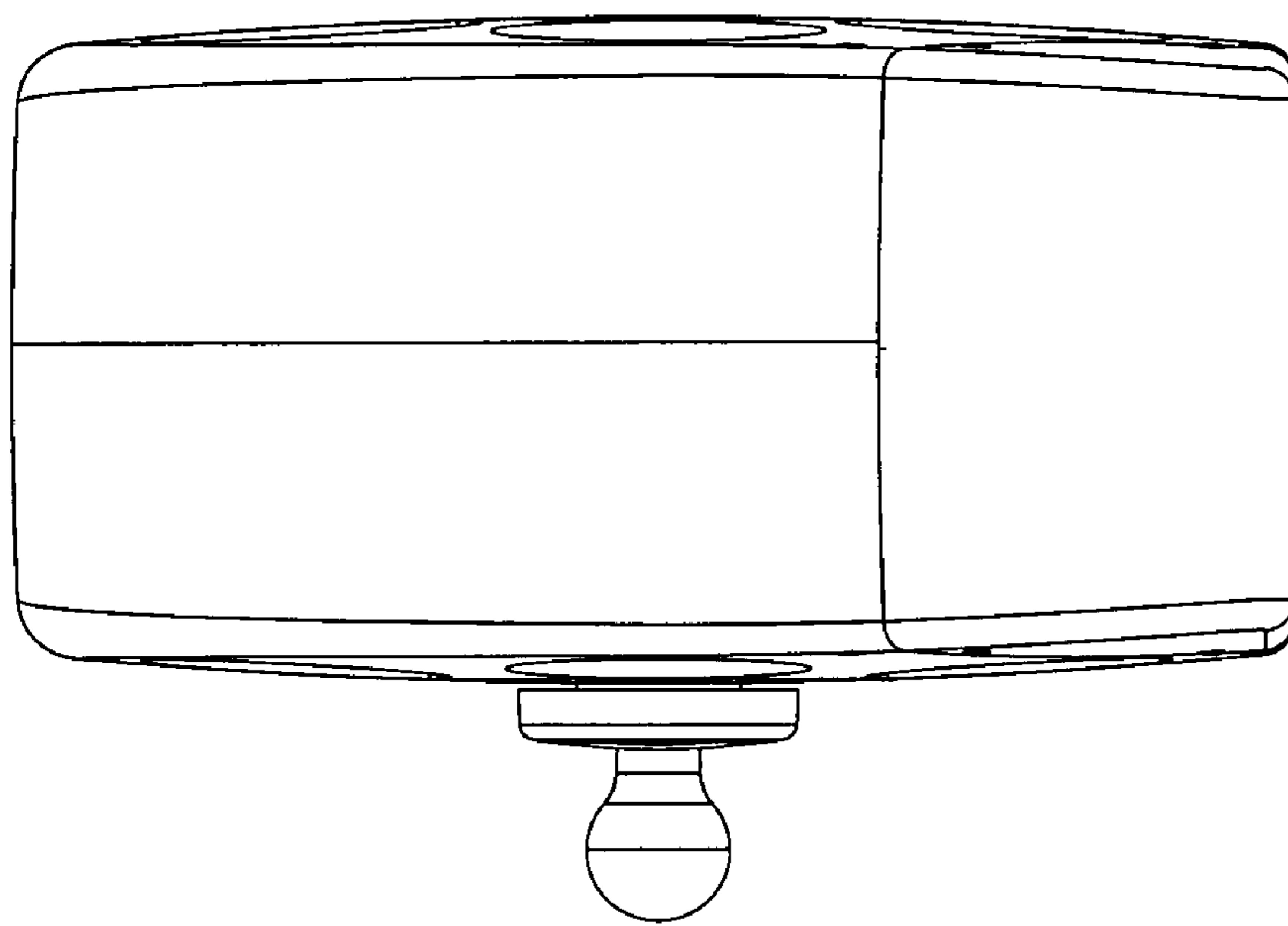


FIG. 6

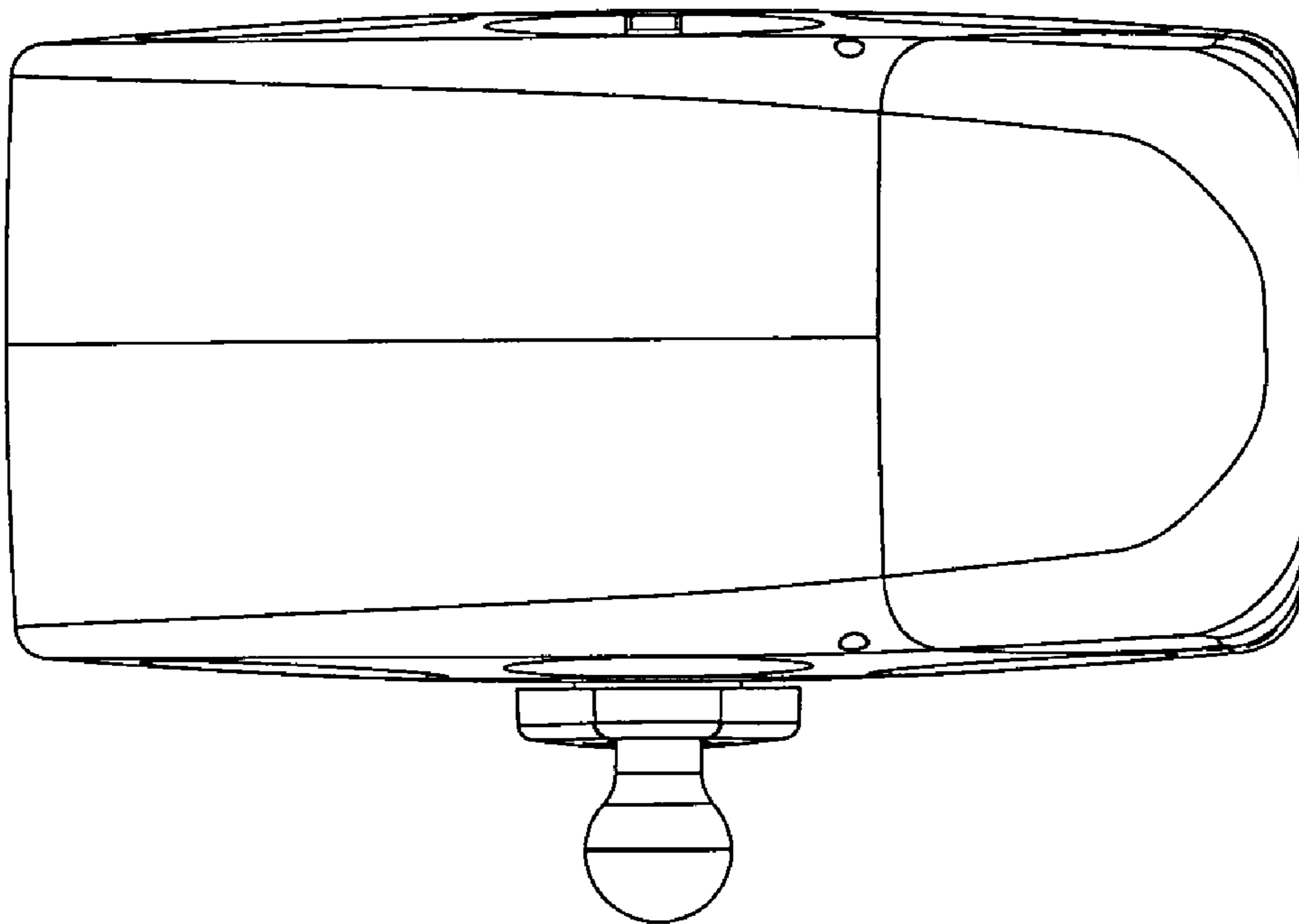


FIG. 7