



US00D561567S

(12) **United States Design Patent**  
**Glenn**

(10) **Patent No.:** **US D561,567 S**

(45) **Date of Patent:** **\*\* Feb. 12, 2008**

(54) **KITE REEL**

(76) Inventor: **Gary O. Glenn**, 1869 Denver West Dr.,  
#1734, Denver, CO (US) 80401

(\*\*) Term: **14 Years**

(21) Appl. No.: **29/248,594**

(22) Filed: **Aug. 23, 2006**

(51) **LOC (8) Cl.** ..... **08-05**

(52) **U.S. Cl.** ..... **D8/359**

(58) **Field of Classification Search** ..... D8/359,  
D8/358; D13/154; D10/72; 242/586, 403,  
242/396.7, 396.6, 396.3, 395, 380.8; 239/195;  
D28/67, 66; D32/23; D14/496; 114/254  
See application file for complete search history.

(56) **References Cited**

**U.S. PATENT DOCUMENTS**

D119,753 S *	4/1940	Hunt	.....	D8/359
D206,448 S *	12/1966	Nieman	.....	D8/359
D235,132 S *	5/1975	Huang	.....	D8/358
4,106,719 A	8/1978	Haverland		
4,238,086 A	12/1980	Brimmeier		
D292,669 S *	11/1987	Fomby	.....	D8/359

D447,405 S *	9/2001	Diener	.....	D8/358
6,402,075 B1 *	6/2002	Grimes	.....	242/395
D533,771 S *	12/2006	Glenn	.....	D8/359

\* cited by examiner

*Primary Examiner*—Gary D. Watson  
*Assistant Examiner*—Susan Bennett Hattan

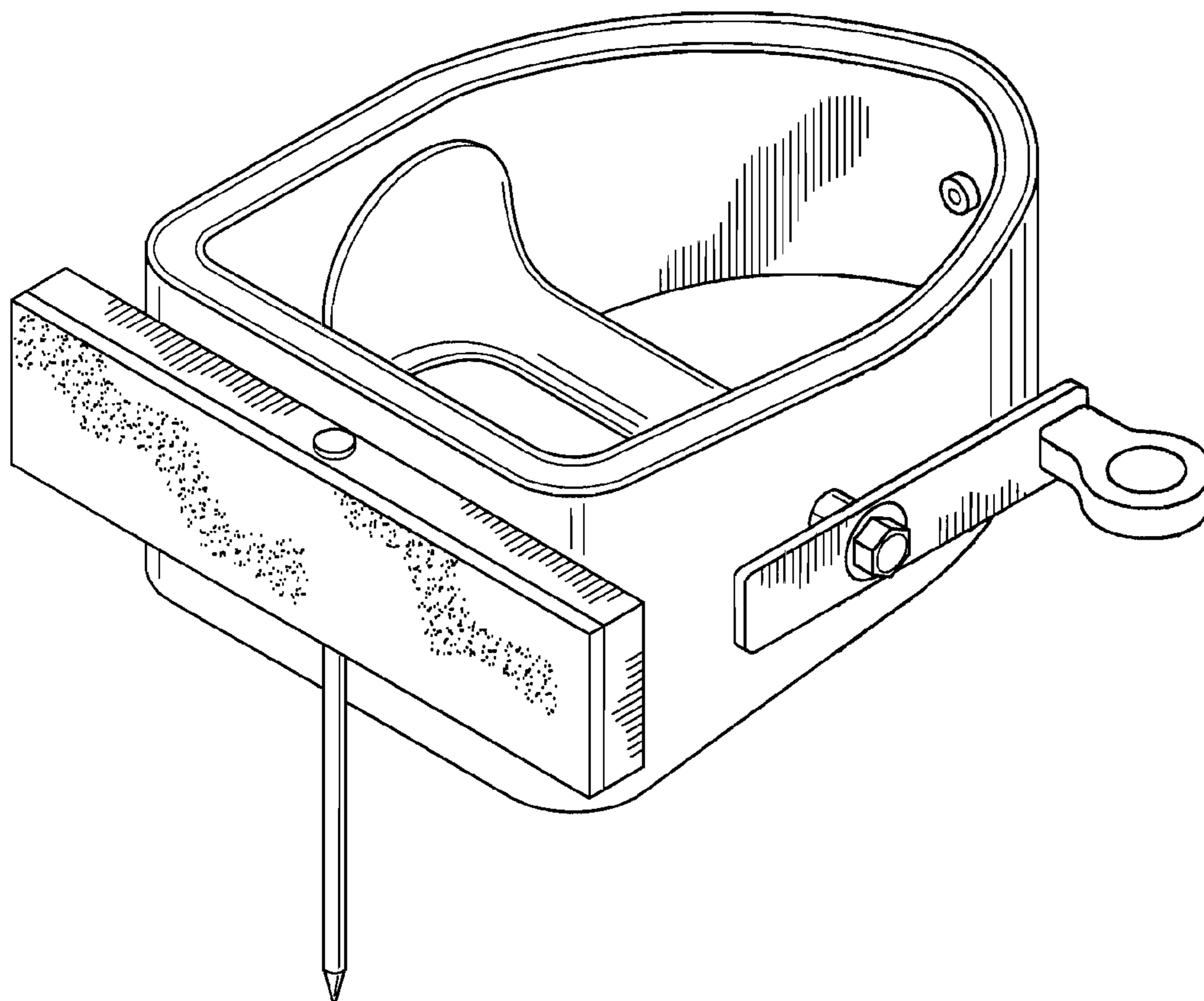
(57) **CLAIM**

The ornamental design for a kite reel, as shown and described.

**DESCRIPTION**

FIG. 1 is a front elevation view of my new design for a kite reel;  
FIG. 2 is a rear elevation view;  
FIG. 3 is a left side elevation view;  
FIG. 4 is a right side elevation view;  
FIG. 5 is a top plan view;  
FIG. 6 is a bottom plan view; and,  
FIG. 7 is a right side isometric view of my new design for a kite reel.

**1 Claim, 6 Drawing Sheets**



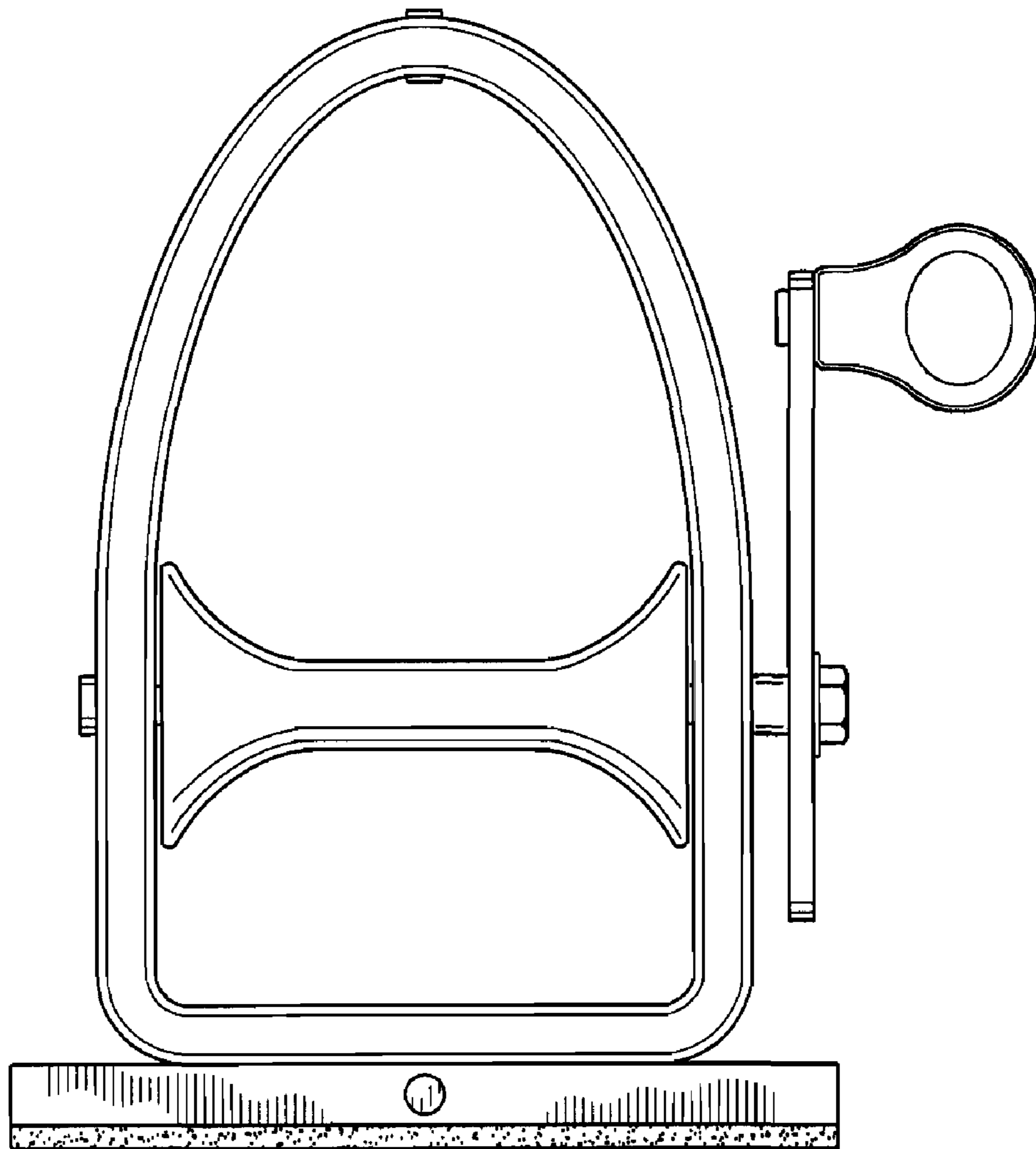


FIG.1

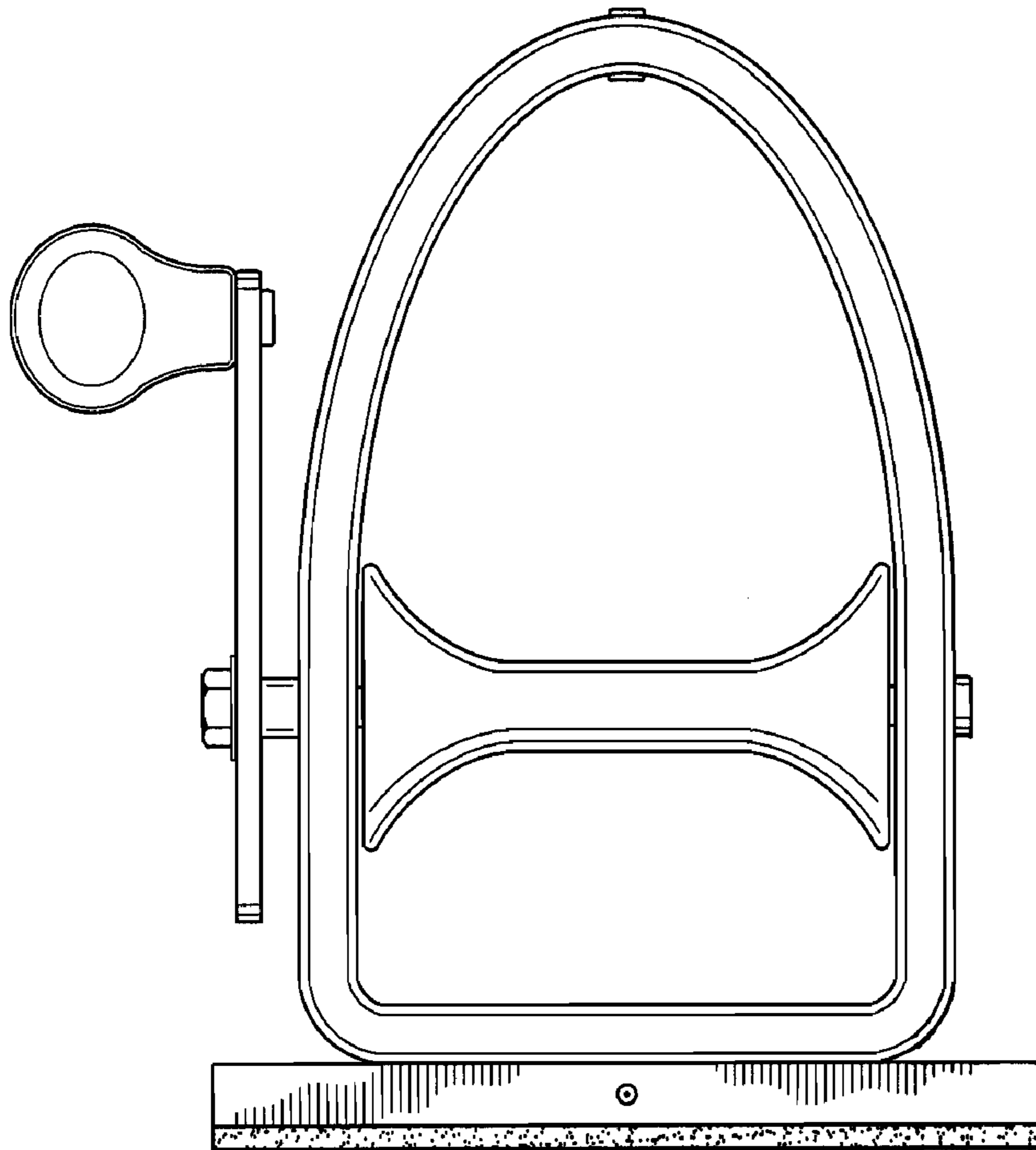


FIG.2

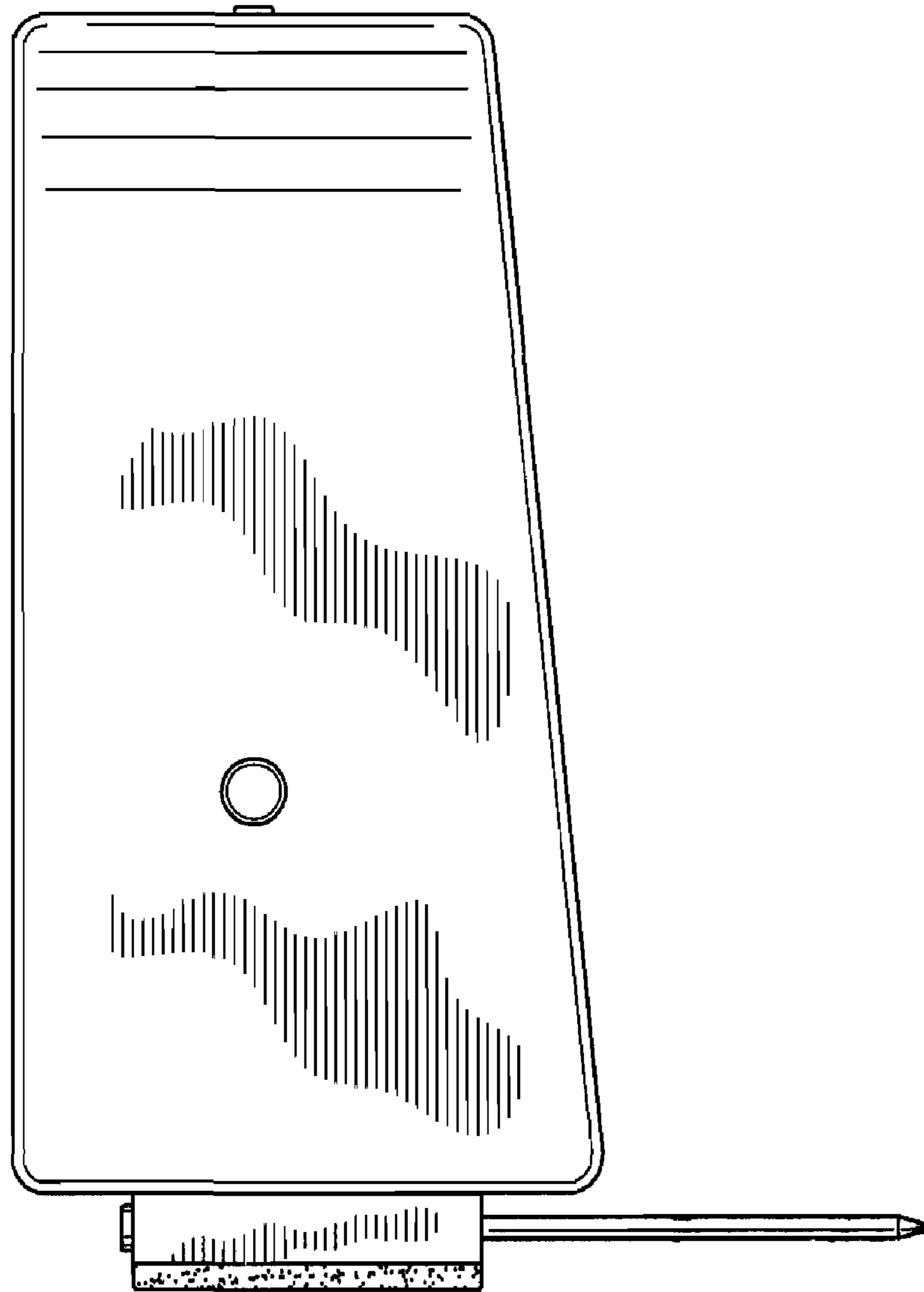


FIG.3

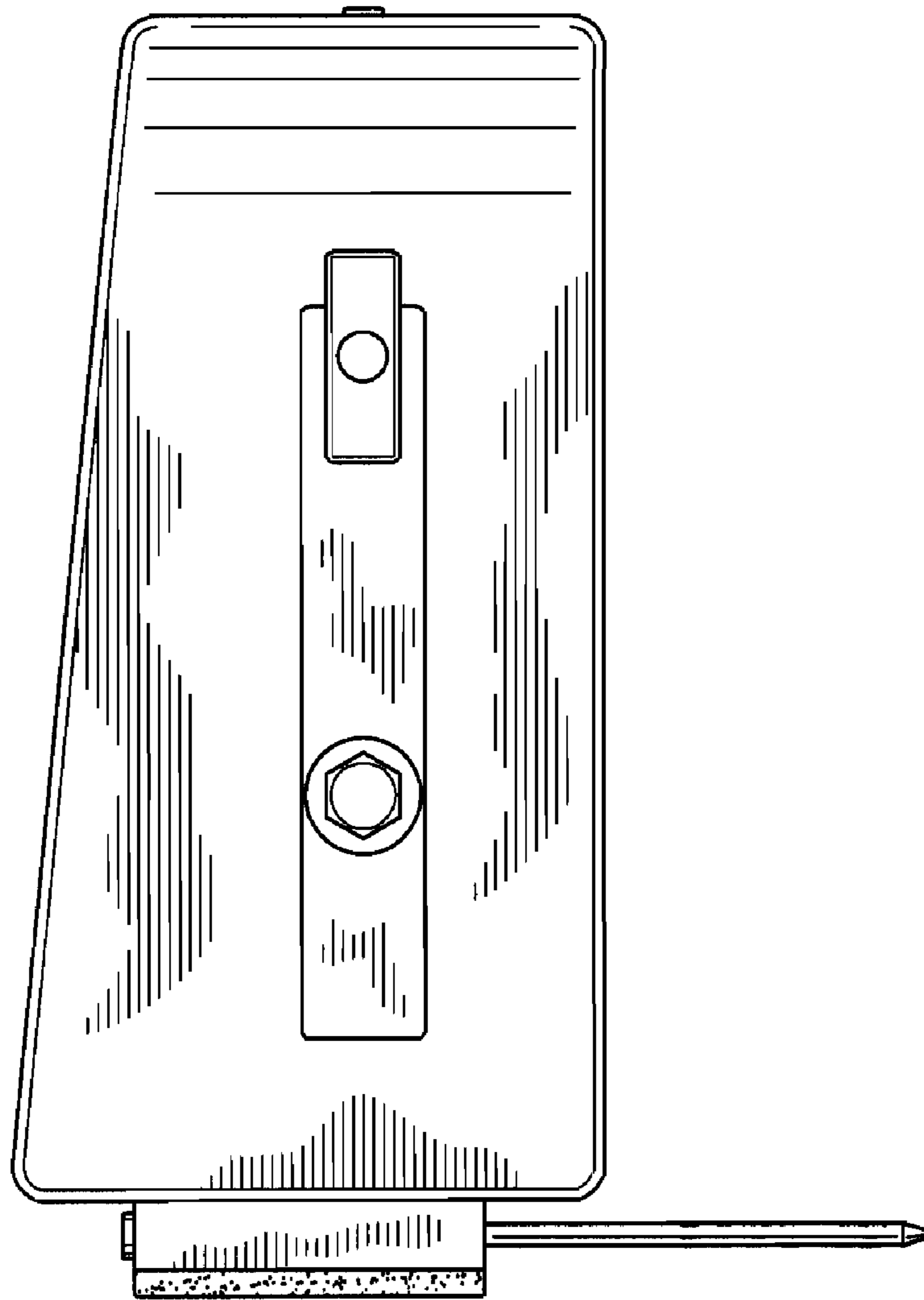


FIG.4

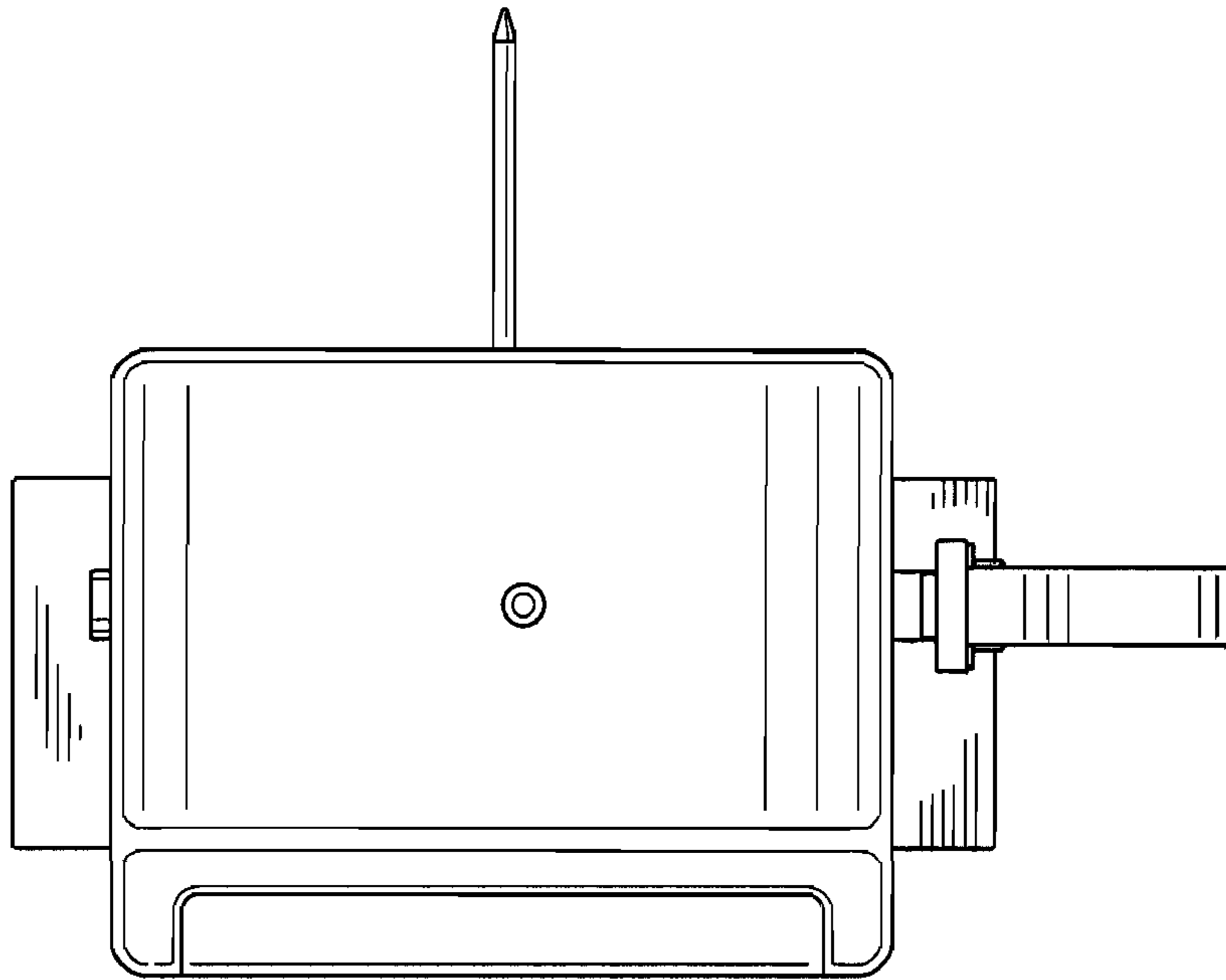


FIG.5

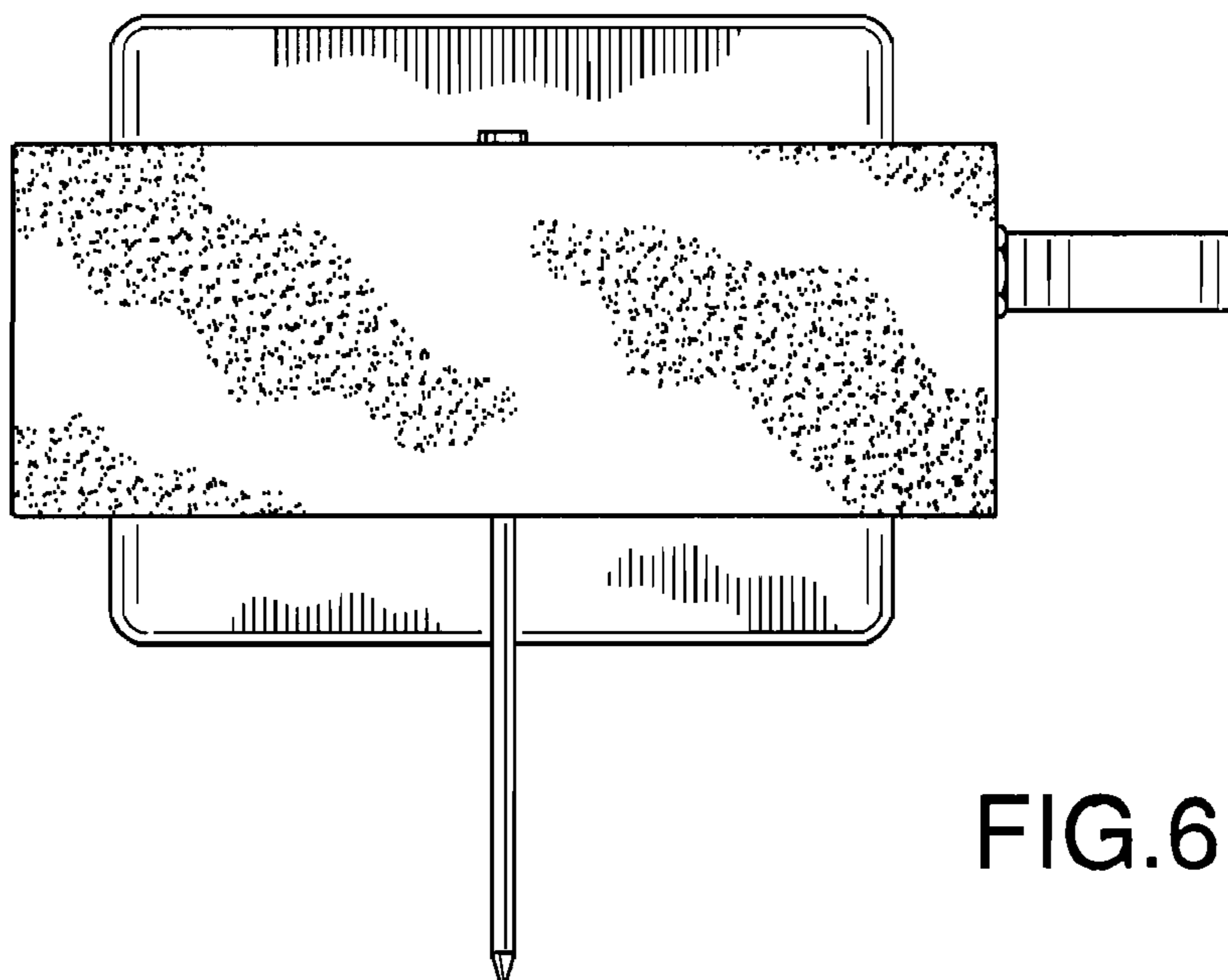


FIG.6

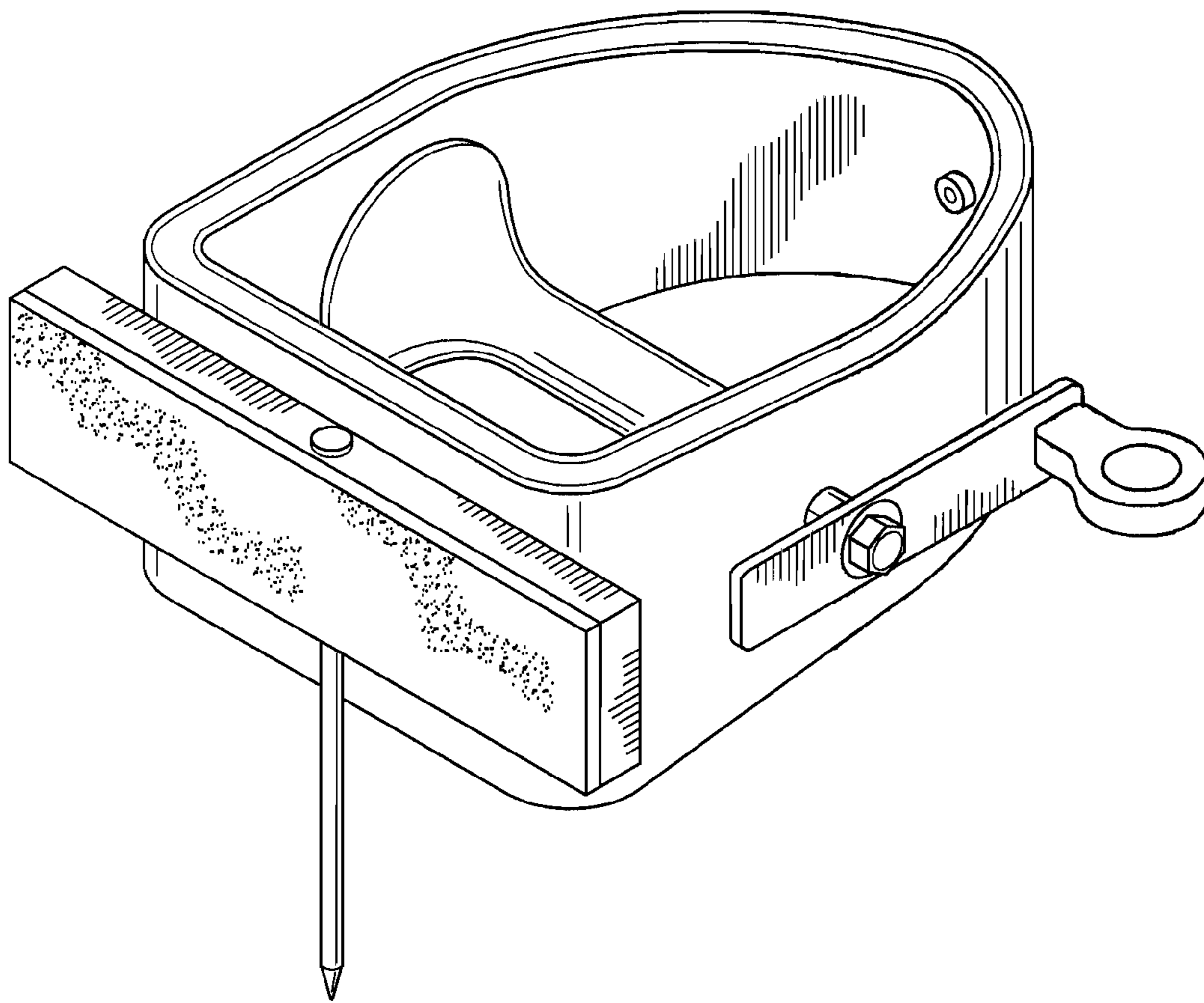


FIG.7