

US00D561566S

(12) **United States Design Patent**
Perez Delgado

(10) **Patent No.:** **US D561,566 S**
(45) **Date of Patent:** **** Feb. 12, 2008**

(54) **ACCESSORY FOR ELECTRICAL WIRES**

6,282,288 B1 * 8/2001 Liao 379/438

(76) Inventor: **Maria Angeles Perez Delgado**, Casino
No. 2, 38620 San Miguel de Abona
(Tenerife) (ES)

* cited by examiner

Primary Examiner—Gary D. Watson
Assistant Examiner—Susan Bennett Hattan
(74) *Attorney, Agent, or Firm*—Wenderoth, Lind & Ponack,
L.L.P.

(**) Term: **14 Years**

(21) Appl. No.: **29/267,774**

(22) Filed: **Oct. 23, 2006**

(30) **Foreign Application Priority Data**

Apr. 21, 2006 (EM) 000516711-0009

(51) **LOC (8) Cl.** **08-05**

(52) **U.S. Cl.** **D8/358**

(58) **Field of Classification Search** D8/360.1,
D8/359, 358, 356; D30/160; D19/69, 67;
D13/154, 137.4; D10/72; 379/438; 242/916,
242/601, 570, 405, 404, 371, 223, 170; 191/12.4,
191/12.2 R; 446/26

See application file for complete search history.

(56) **References Cited**

U.S. PATENT DOCUMENTS

D436,518 S * 1/2001 Matsubara D8/356

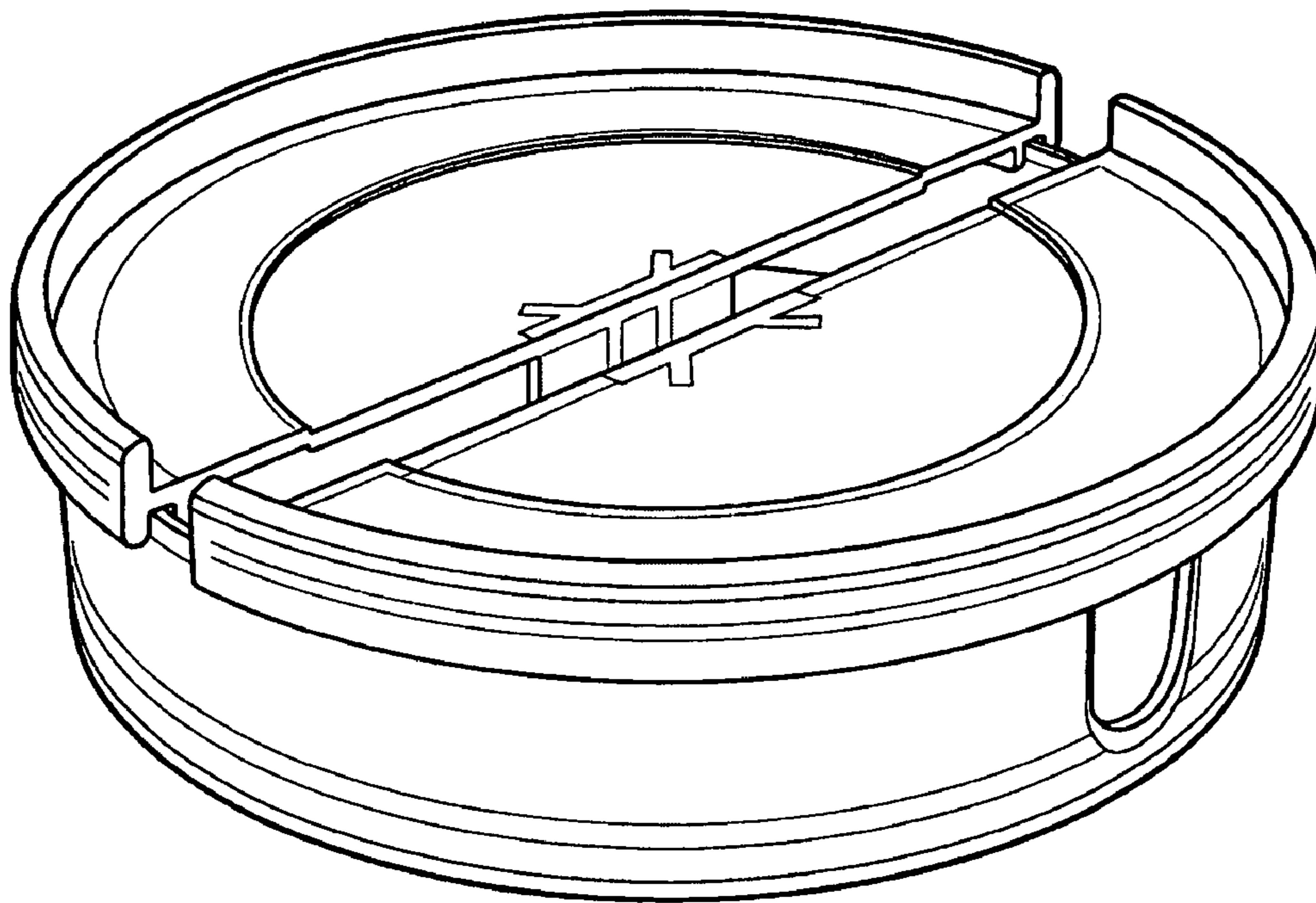
(57) **CLAIM**

The ornamental design for an accessory for electrical wires,
as shown and described.

DESCRIPTION

FIG. 1 is a perspective view of an accessory for electrical
wires showing my new design;
FIG. 2 is a left elevation view thereof;
FIG. 3 is a top elevation view thereof;
FIG. 4 is a front elevation view thereof;
FIG. 5 is a right elevation view thereof;
FIG. 6 is a bottom plan view thereof;
FIG. 7 is a rear elevation view thereof; and,
FIG. 8 is a perspective view thereof in an open position.

1 Claim, 8 Drawing Sheets



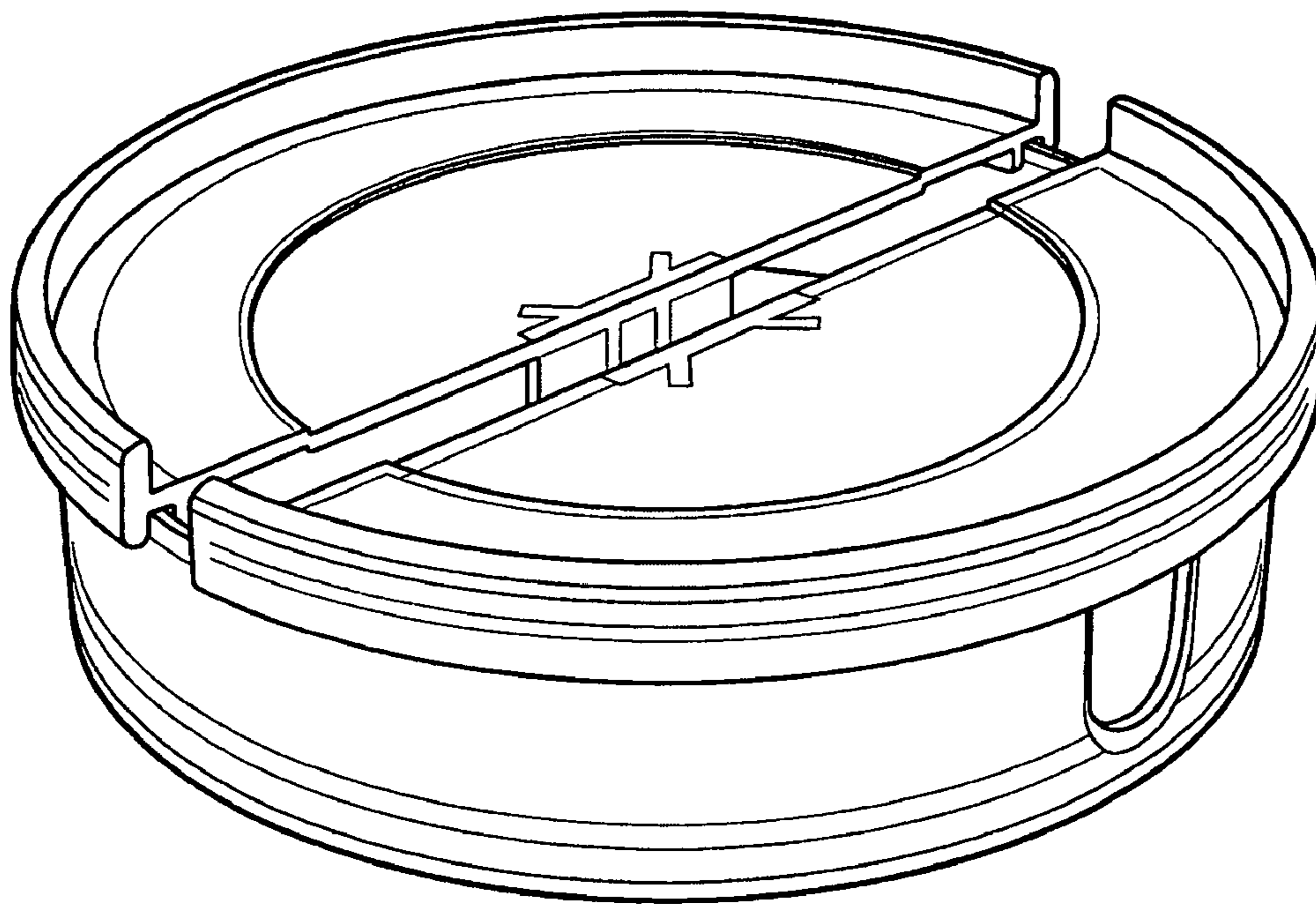


FIG. 1

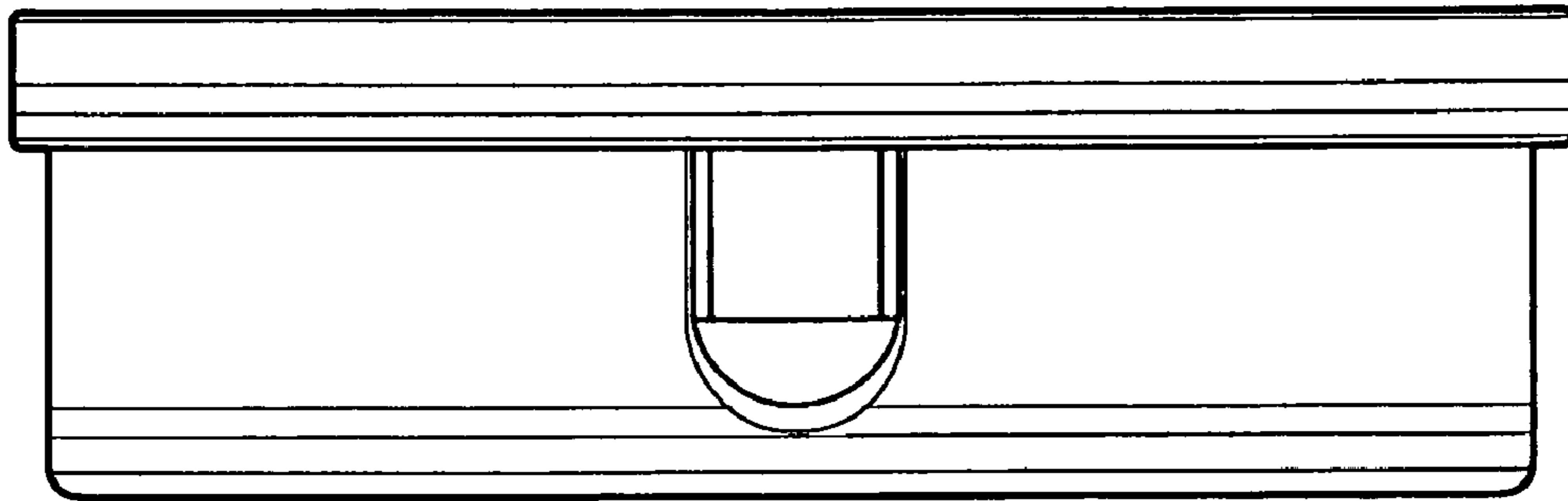


FIG. 2

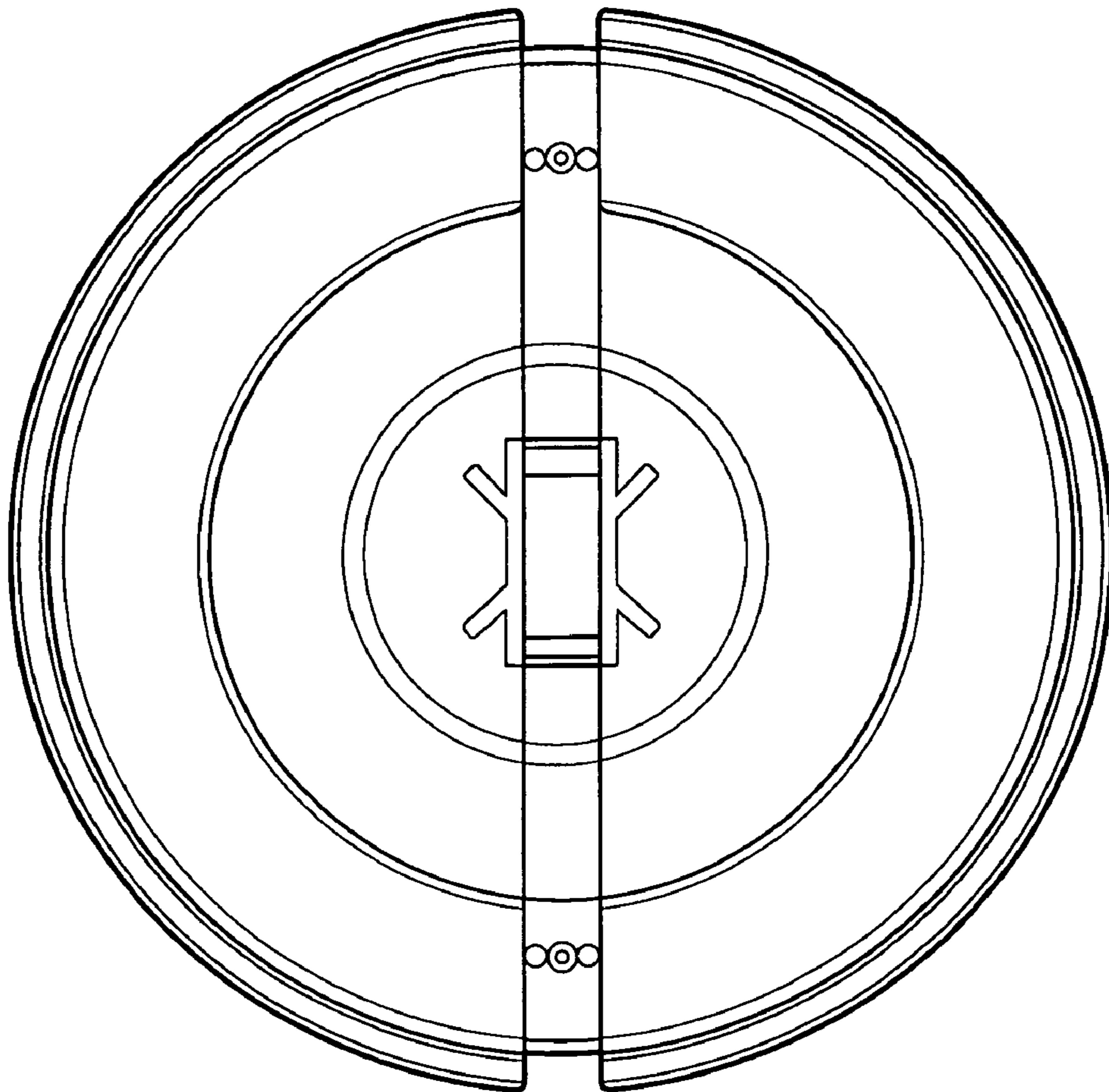


FIG. 3

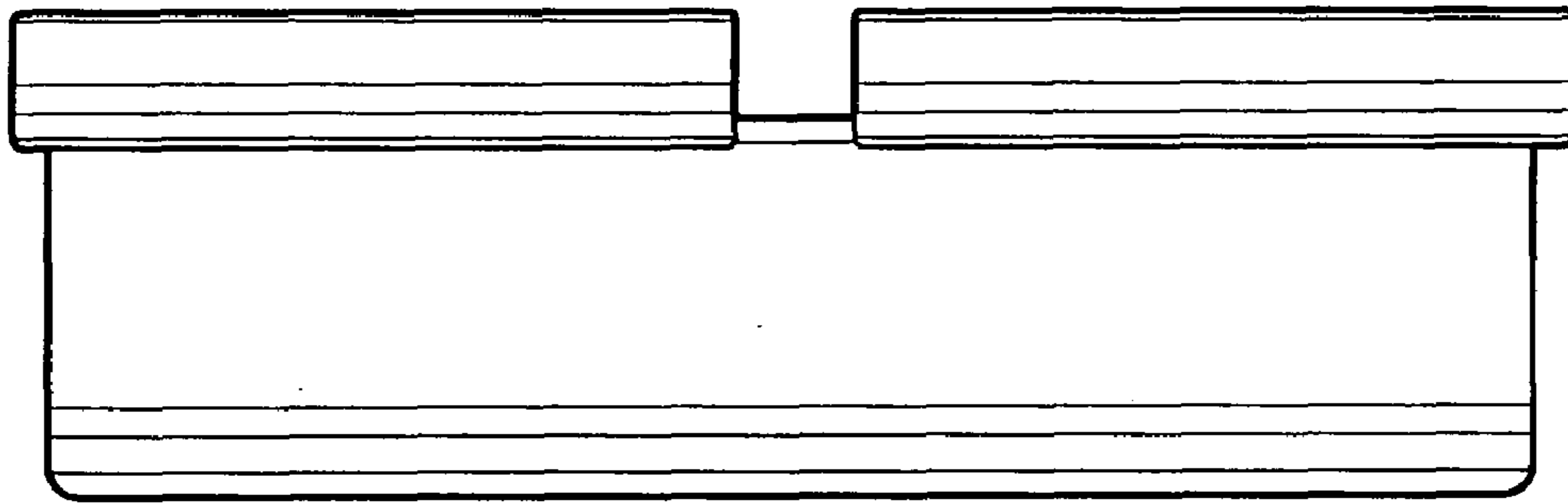


FIG. 4

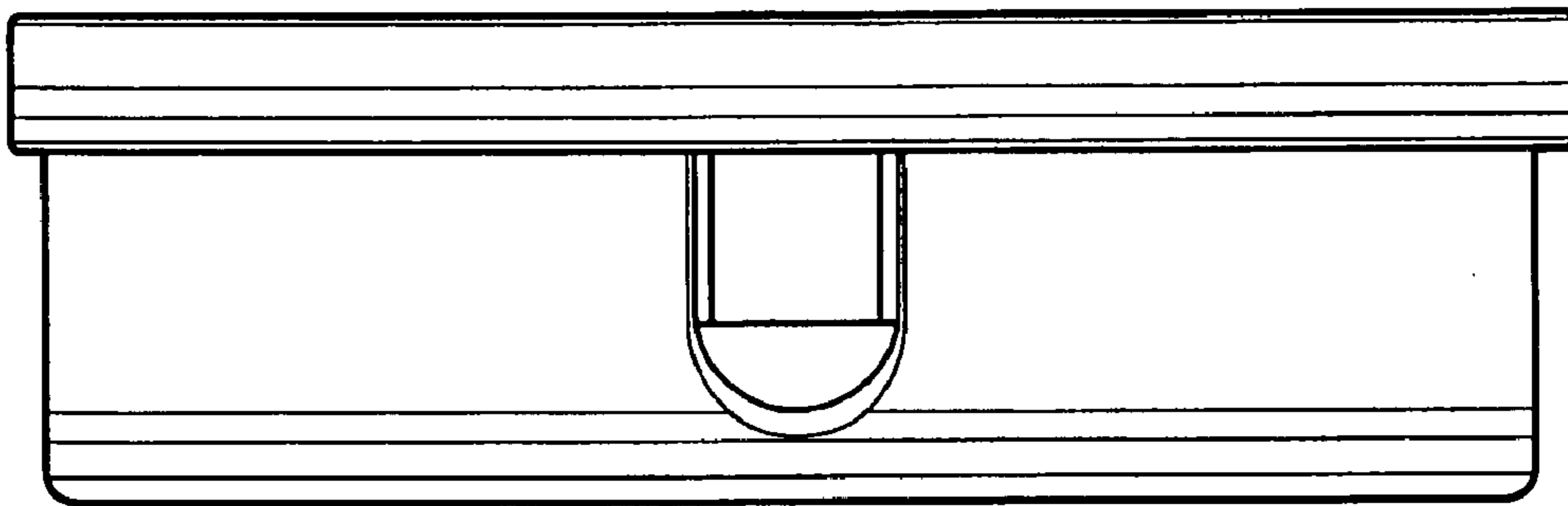


FIG. 5

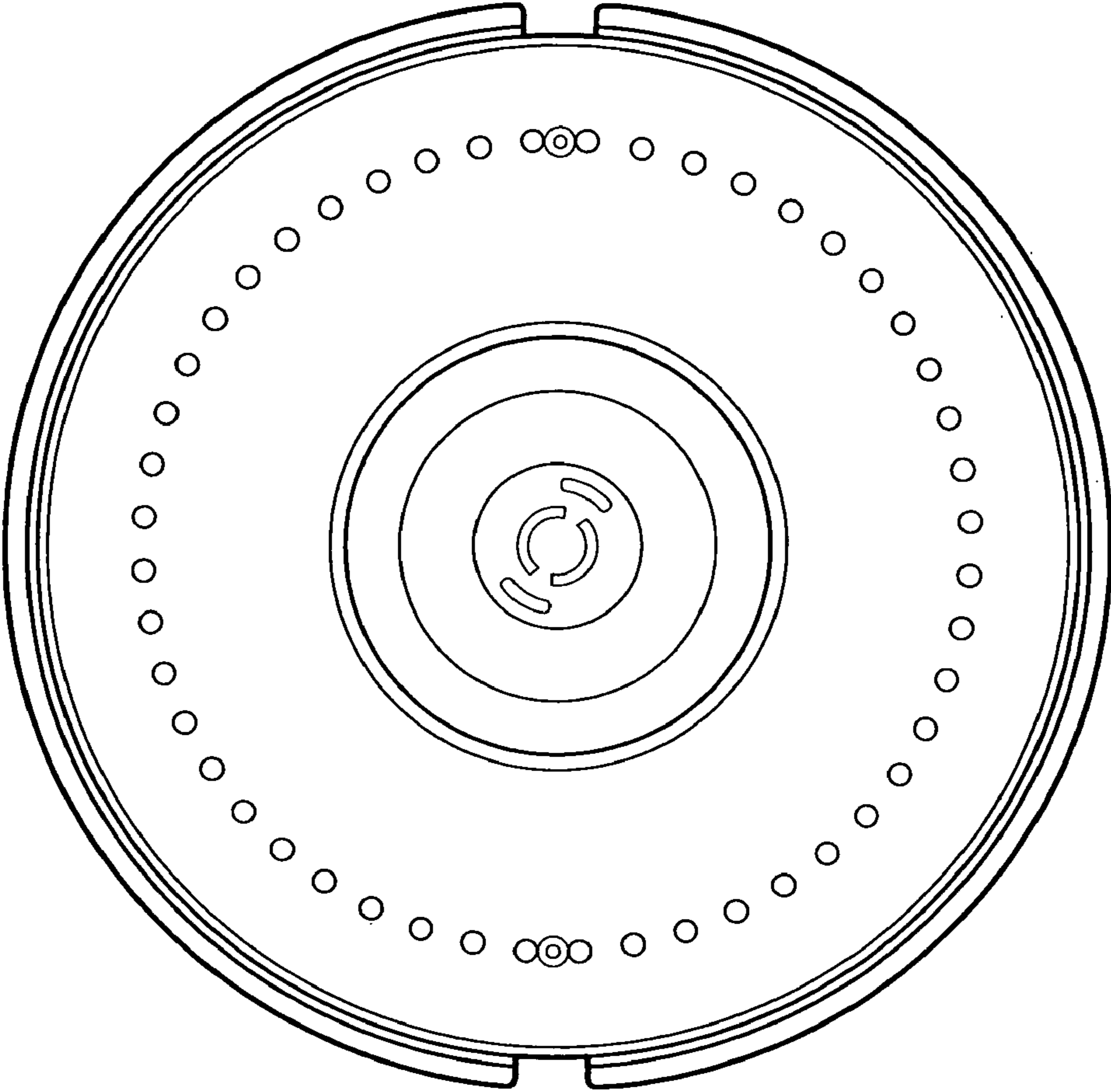


FIG. 6

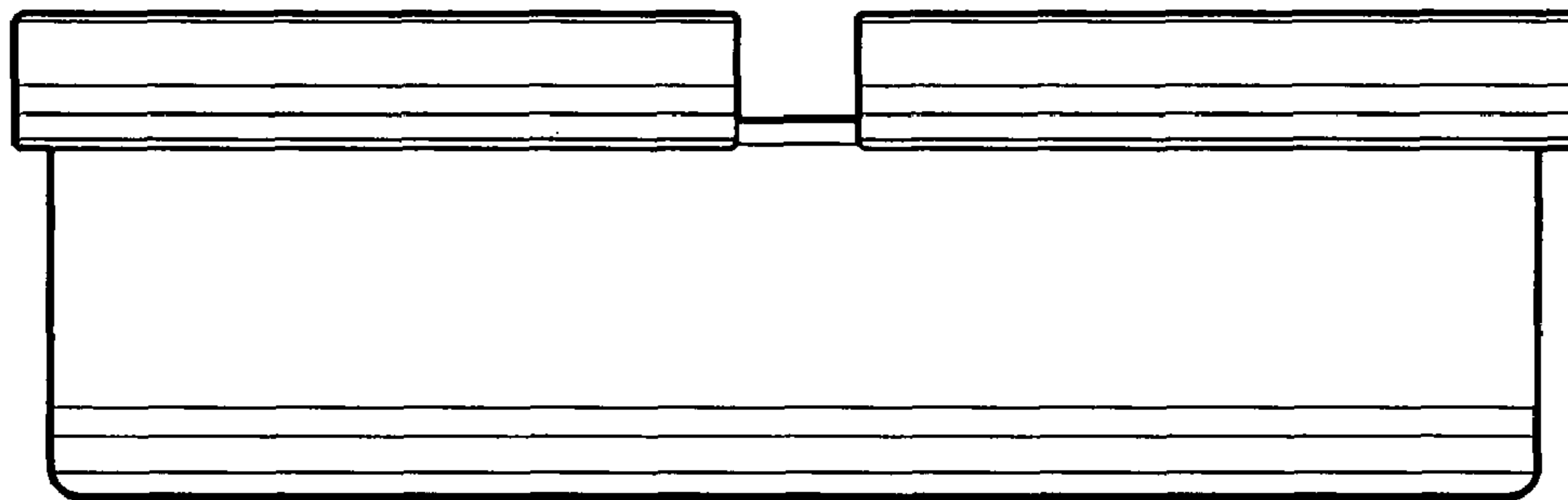


FIG. 7

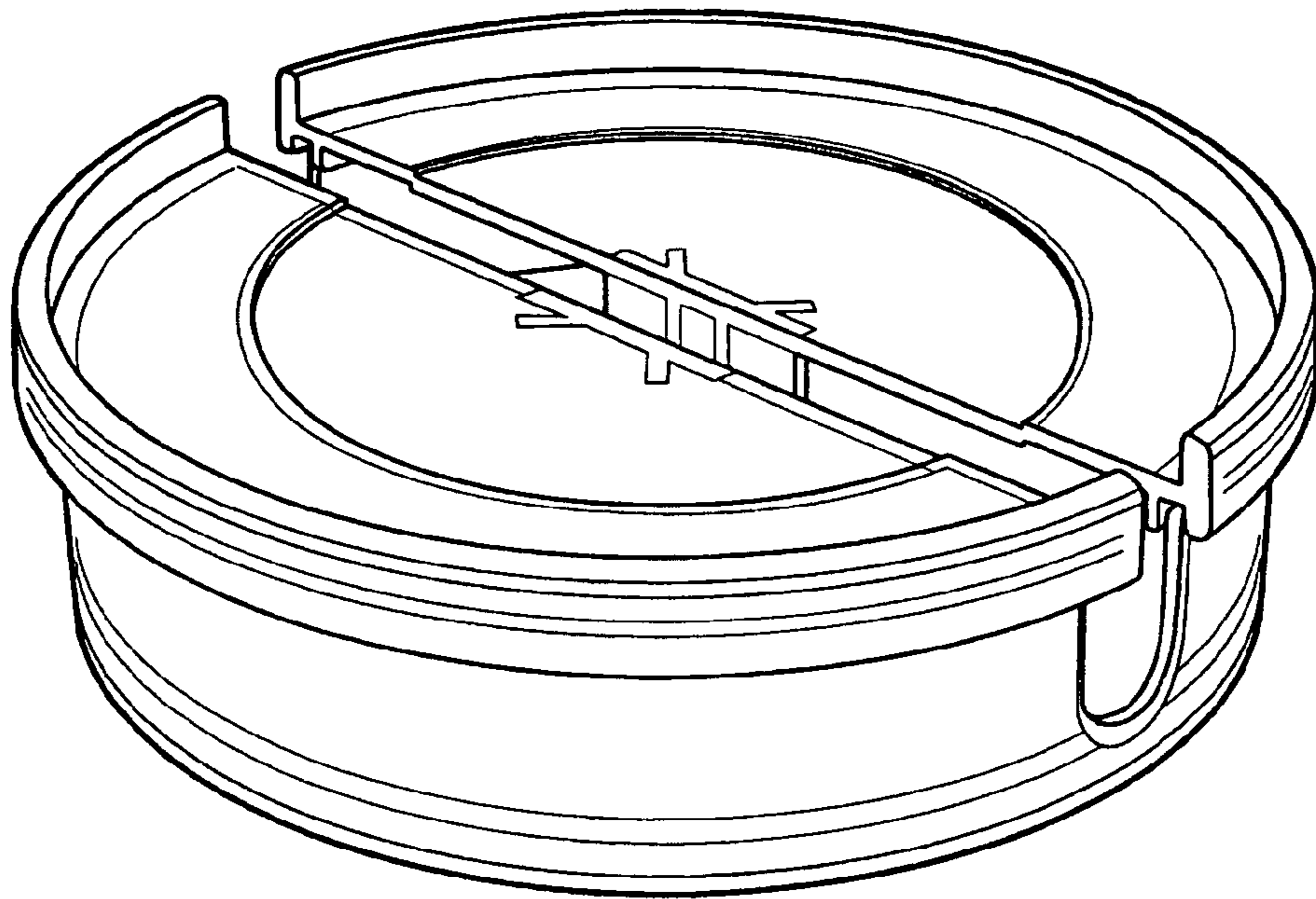


FIG. 8