



US00D561565S

(12) **United States Design Patent**
Mitchell

(10) **Patent No.:** **US D561,565 S**

(45) **Date of Patent:** **** Feb. 12, 2008**

(54) **ROPE REEL**

(76) **Inventor:** **Scott W. Mitchell**, P.O. Box 1467,
Twin Peaks, CA (US) 92391

(**) **Term:** **14 Years**

(21) **Appl. No.:** **29/238,913**

(22) **Filed:** **Nov. 16, 2005**

(51) **LOC (8) Cl.** **08-05**

(52) **U.S. Cl.** **D8/358**

(58) **Field of Classification Search** D8/360.1,
D8/359, 358; D30/160; D19/69, 67; D13/154,
D13/137.4; D10/72; 379/438; 242/916,
242/601, 570, 405, 404, 371, 223, 170; 191/12.4,
191/12.2 R; 446/26

See application file for complete search history.

(56) **References Cited**

U.S. PATENT DOCUMENTS

2,449,464 A * 9/1948 Eypper 242/601
D208,041 S * 7/1967 Kay D8/359

D260,073 S * 8/1981 Wells D8/358
4,713,497 A * 12/1987 Smith 191/12.2 R
D461,451 S * 8/2002 Hawley D13/137.4
7,195,534 B1 * 3/2007 Millman 446/26

* cited by examiner

Primary Examiner—Gary D. Watson
Assistant Examiner—Susan Bennett Hattan

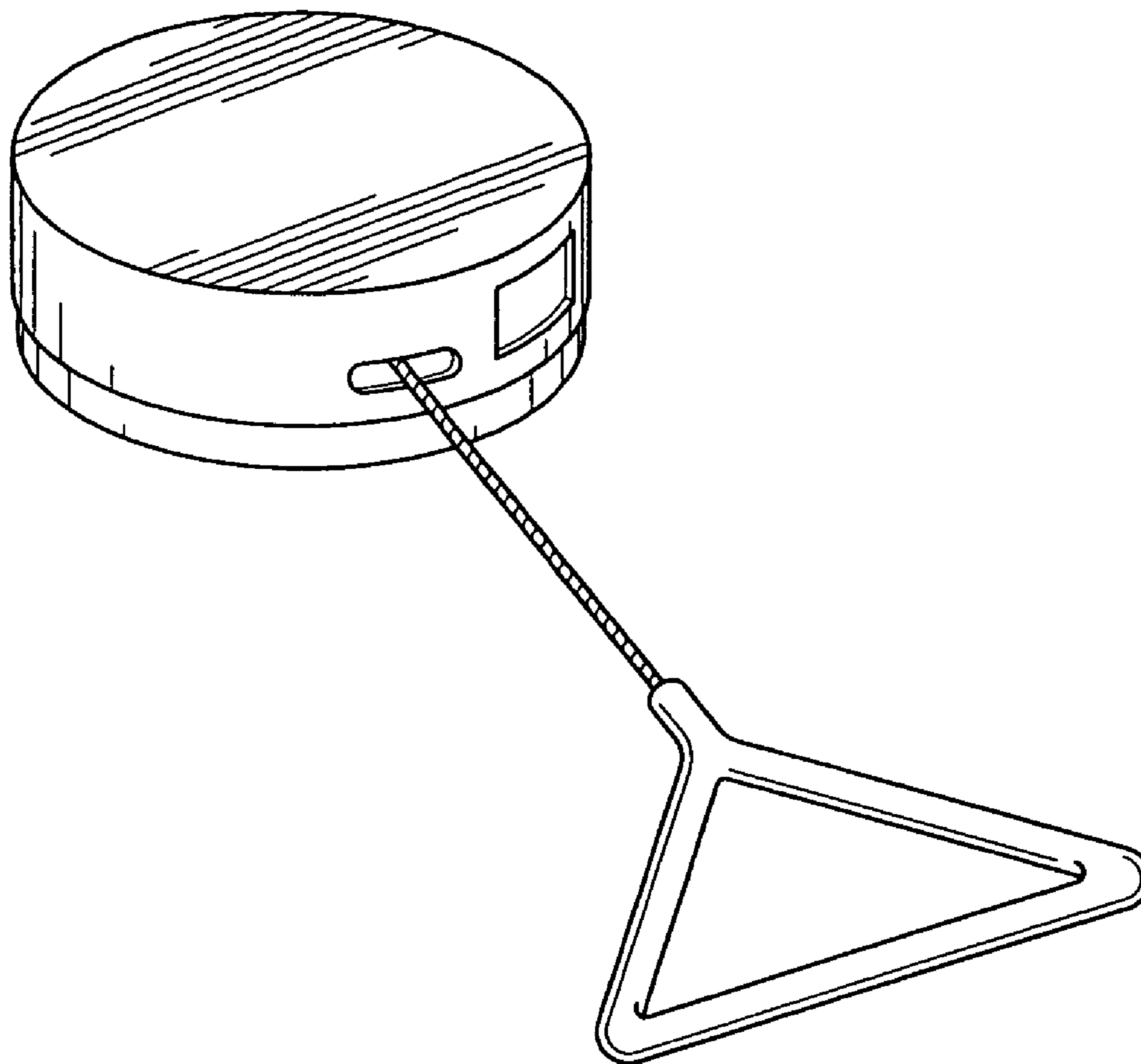
(57) **CLAIM**

I claim, the ornamental design for rope reel, as shown.

DESCRIPTION

FIG. 1 is a perspective view of the rope reel;
FIG. 2 is a top view of the rope reel;
FIG. 3 is a front view of the rope reel;
FIG. 4 is a right side view of the rope reel;
FIG. 5 is a left side view of the rope reel; and,
FIG. 6 is a bottom view of the rope reel.

1 Claim, 2 Drawing Sheets



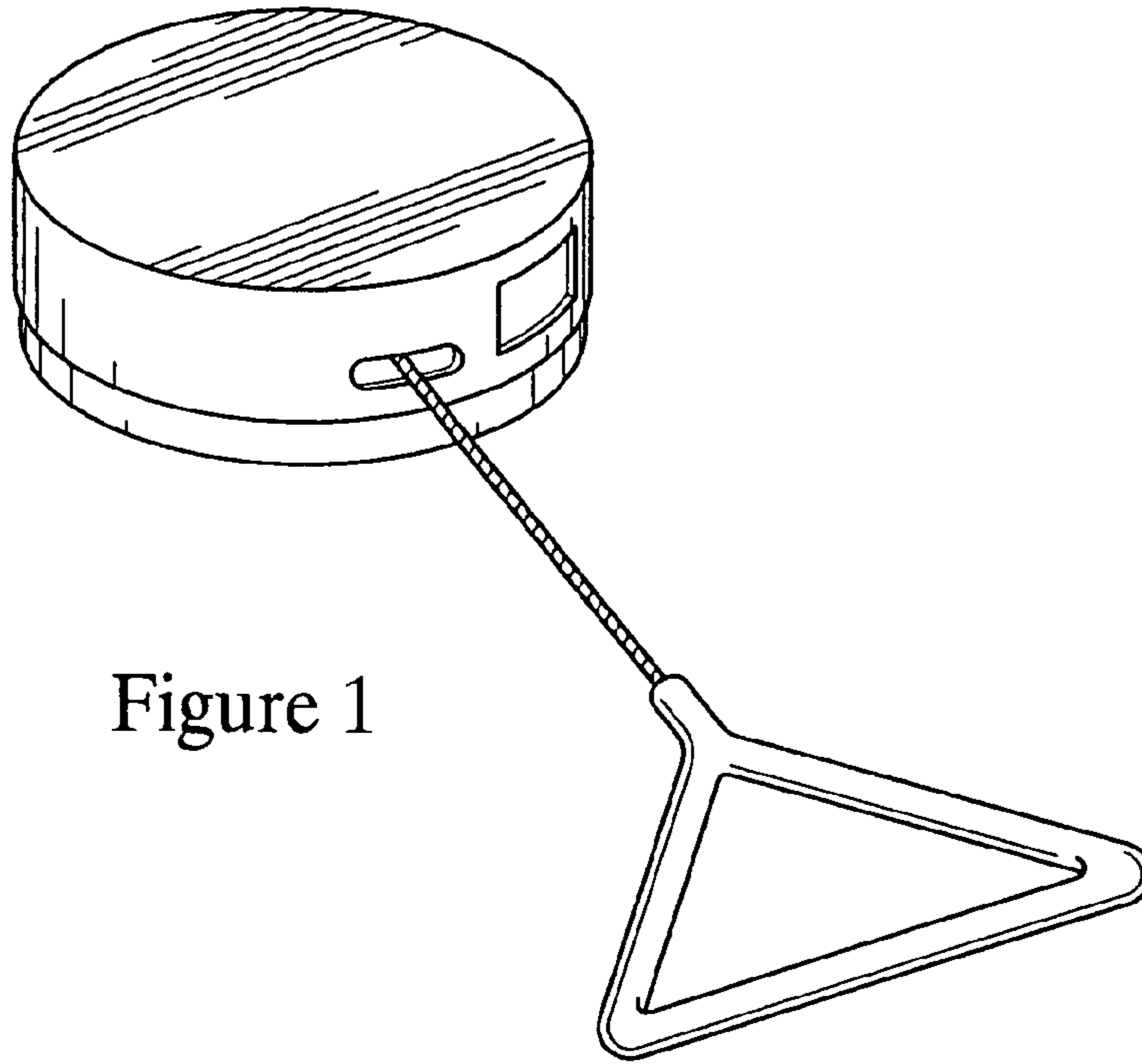


Figure 1

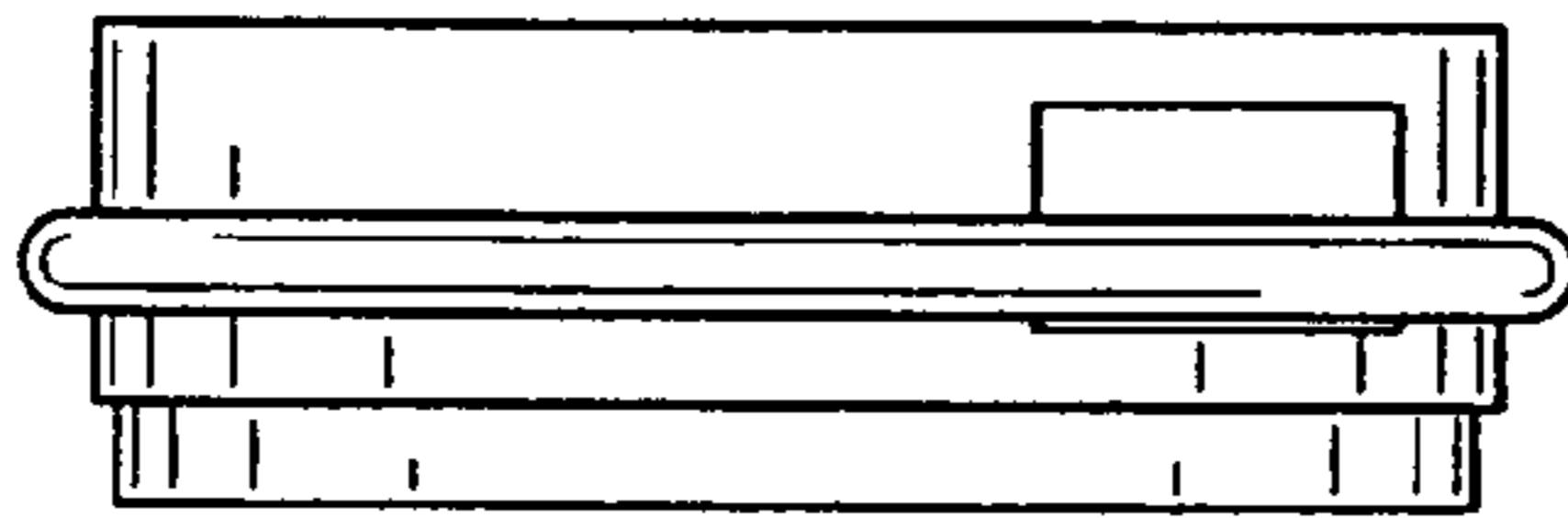


Figure 2

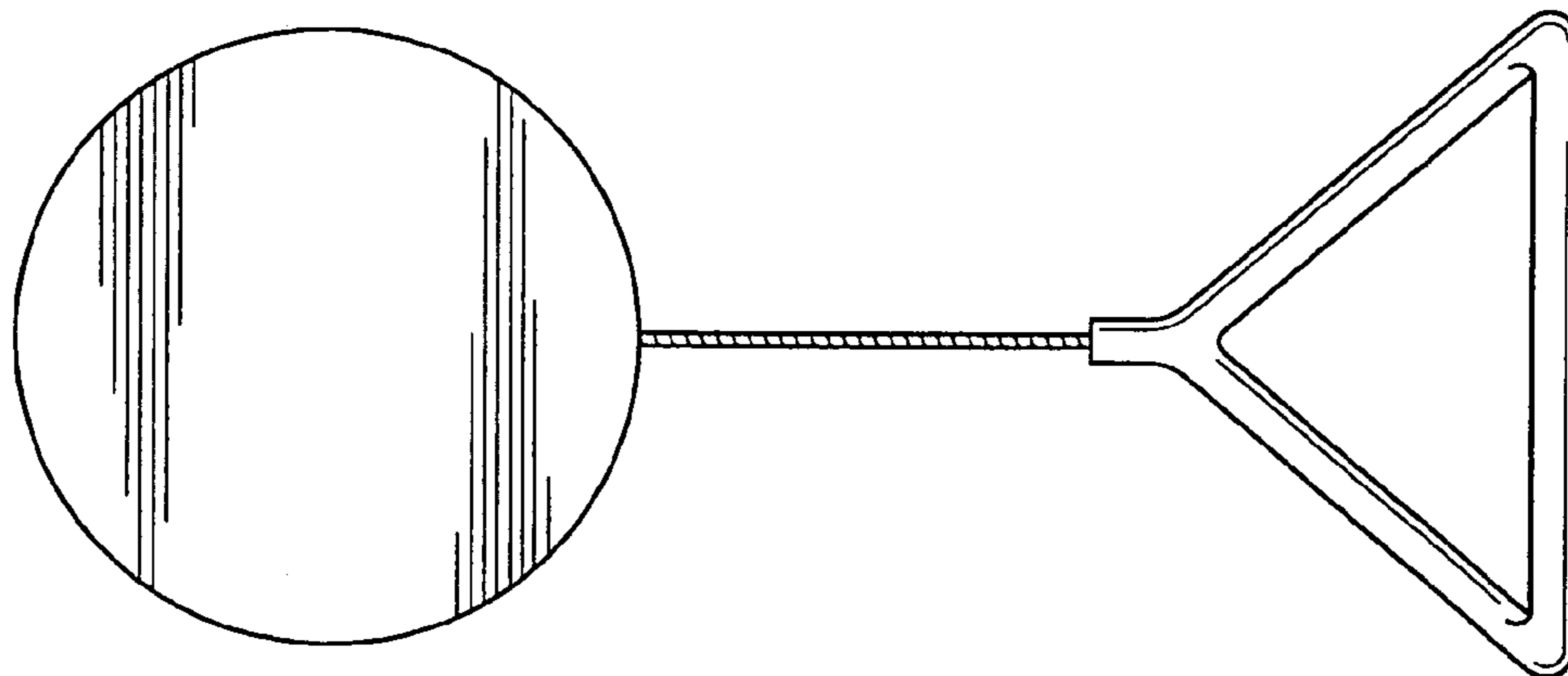


Figure 3

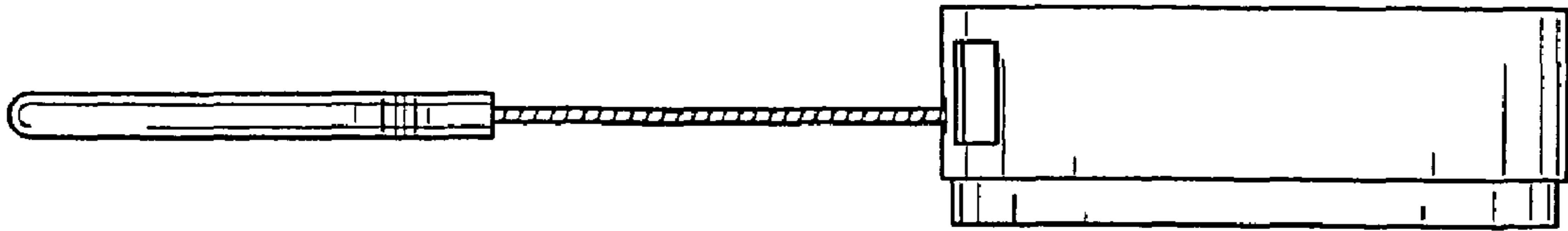


Figure 4

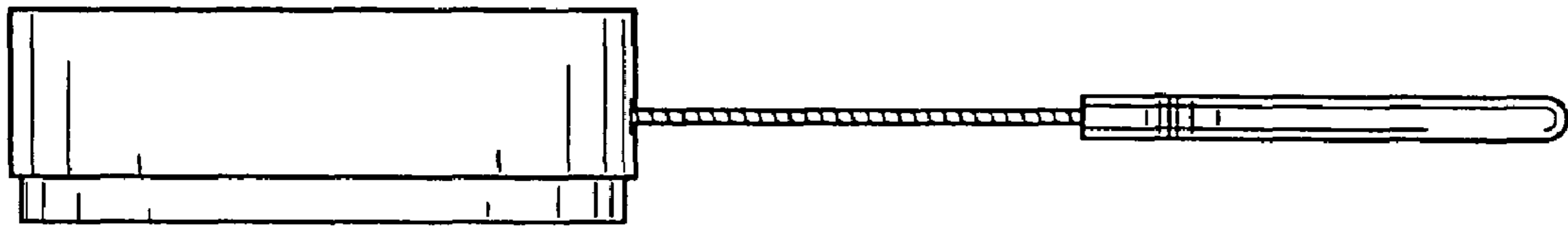


Figure 5

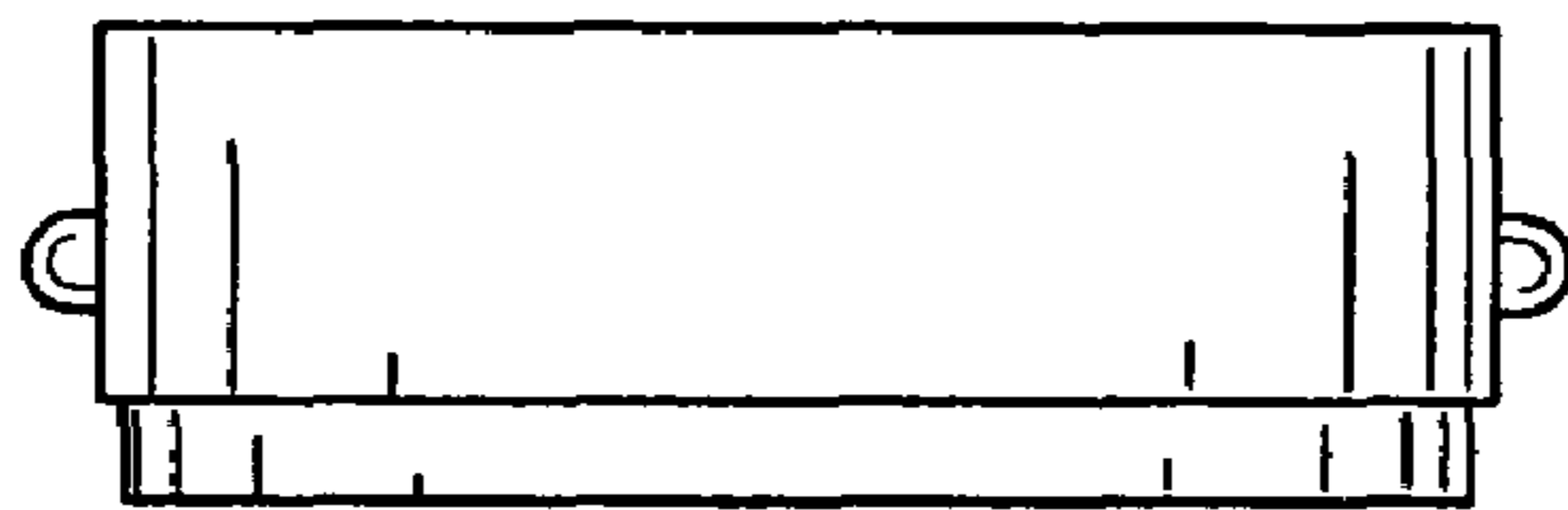


Figure 6