

US00D561562S

(12) **United States Design Patent**  
**Wohlford et al.**

(10) **Patent No.:** **US D561,562 S**  
(45) **Date of Patent:** **\*\* Feb. 12, 2008**

(54) **WALL INTERFACE FOR DISPLAY MOUNT**

(75) Inventors: **Jim Wohlford**, Savage, MN (US);  
**Steven Durkee**, Savage, MN (US);  
**Nathan Bohl**, Savage, MN (US)

(73) Assignee: **CSAV, Inc.**, Savage, MN (US)

(\*\*) Term: **14 Years**

(21) Appl. No.: **29/268,136**

(22) Filed: **Oct. 31, 2006**

(51) **LOC (8) Cl.** ..... **08-05**

(52) **U.S. Cl.** ..... **D8/354; D8/363; D14/451**

(58) **Field of Classification Search** ..... **D8/354,**  
**D8/363, 373; D14/451, 452; 248/274.1,**  
**248/284.1, 593, 586**

See application file for complete search history.

(56) **References Cited**

**U.S. PATENT DOCUMENTS**

6,102,348 A	8/2000	O'Neill	
D493,800 S	8/2004	Pfister et al.	
D494,596 S	8/2004	Pfister	
6,923,413 B2	8/2005	Dozier	
D517,085 S *	3/2006	Deuschle	..... D14/451

**OTHER PUBLICATIONS**

Mounts By PDR, A Division Of David Engineering, *Panel Display Pivot Mount*, pp. 4.  
 FIMCO, *Wall Mount Kit for Plasma TV Screens*, Nov. 2003, pp. 12.  
 PEERLESS, *SmartMount™ Universal Tilt Wall Mount for 32" to 50" Plasma and LCD Flat Panel Screens*, 2006, pp. 2.  
 PEERLESS, *SmartMount™ Universal Tilt Wall Mount for 61" to 102" Plasma and LCD Flat Panel Screens*, 2006, pp. 2.  
 PEERLESS, *SmartMount™ Universal Tilt Wall Mount for 42" to 71" Plasma and LCD Flat Panel Screens*, 2006, pp. 2.  
 PEERLESS, *SmartMount™ Universal Tilt Wall Mount for 32" to 60" Plasma and LCD Flat Panels Screens*, 2006, pp. 2.  
 PEERLESS, *SmartMount™ Universal Tilt Wall Mount for 23" to 46" LCD Flat Panel Screens*, 2006, pp. 2.  
 PEERLESS, *SmartMount™ Universal Flat Wall Mount for 61" to 102" Plasma and LCD Flat Panel Screens*, 2006, pp. 2.

PEERLESS, *SmartMount™ Universal Flat Wall Mount for 42" to 71" Plasma and LCD Flat Panel Screens*, 0206, pp. 2.

PEERLESS, *SmartMount™ Universal Flat Wall mount for 32" to 60" Plasma and LCD Flat Panel Screens*, 2006, pp. 2.

PEERLESS, *SmartMount™ Universal Flat Wall Mount for 23" to 46" LCD Flat Panel Screens*, 2006, pp. 2.

PEERLESS, *SmartMount™ Universal Tilt Wal Mount for 22" to 49" Screens*, Mar. 31, 2005, pp. 12.

VIEWSONIC, *Mount*, 2005, pp. 1.

HITACHI, *Mount*, 2005, pp. 1.

\* cited by examiner

*Primary Examiner*—Holly H. Baynham

(74) *Attorney, Agent, or Firm*—Patterson, Thunte, Skaar & Christensen, PA

(57) **CLAIM**

We claim the ornamental design for wall interface for display mount, as shown and described.

**DESCRIPTION**

FIG. 1 is a front perspective view of a wall interface for display mount according to an embodiment of the invention;

FIG. 2 is a front elevation view of the wall interface for display mount depicted in FIG. 1;

FIG. 3 is top plan view of the wall interface for display mount depicted in FIG. 1;

FIG. 4 is a bottom plan view of the wall interface for display mount depicted in FIG. 1;

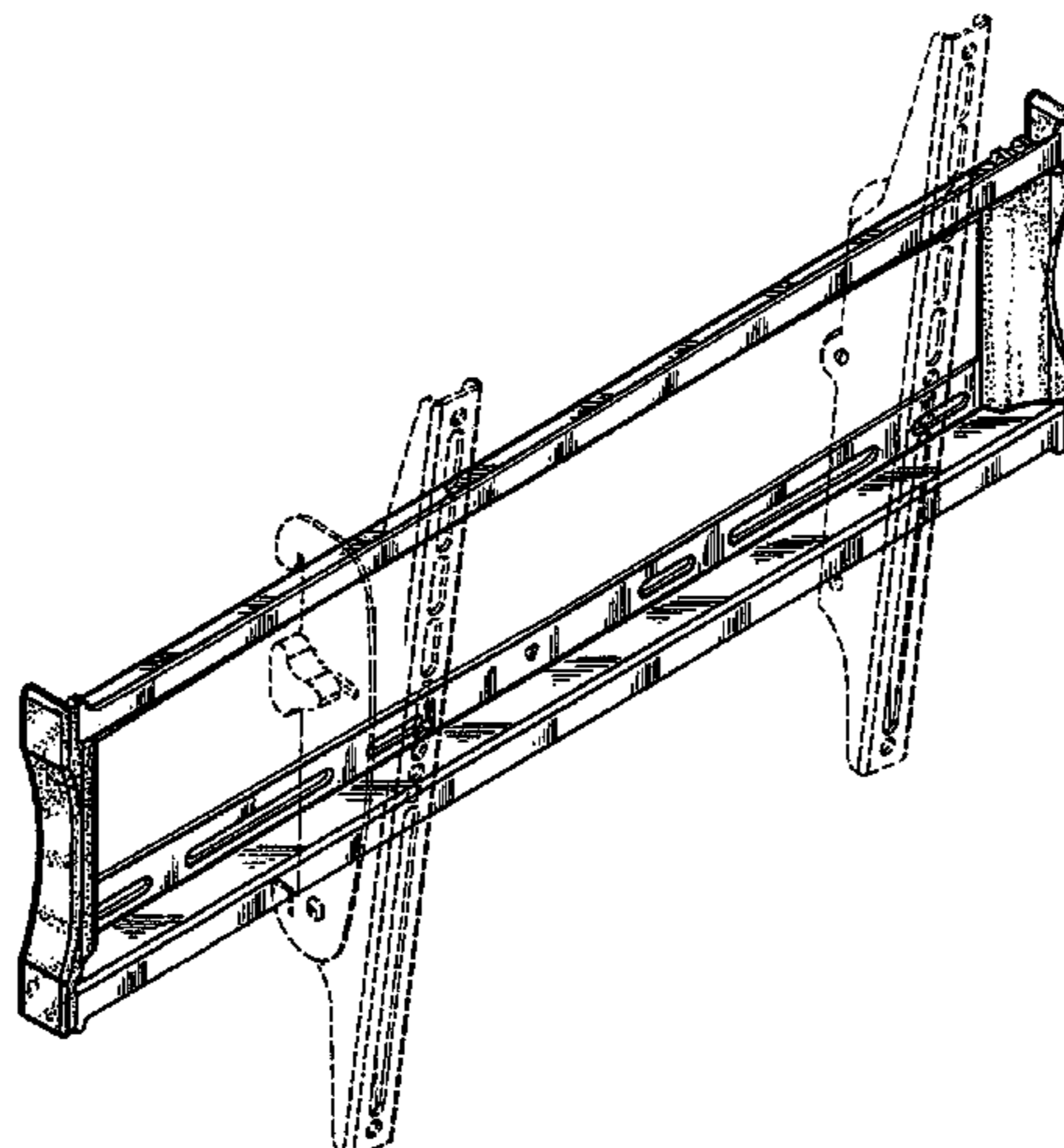
FIG. 5 is a rear elevation view of the wall interface for display mount depicted in FIG. 1; and,

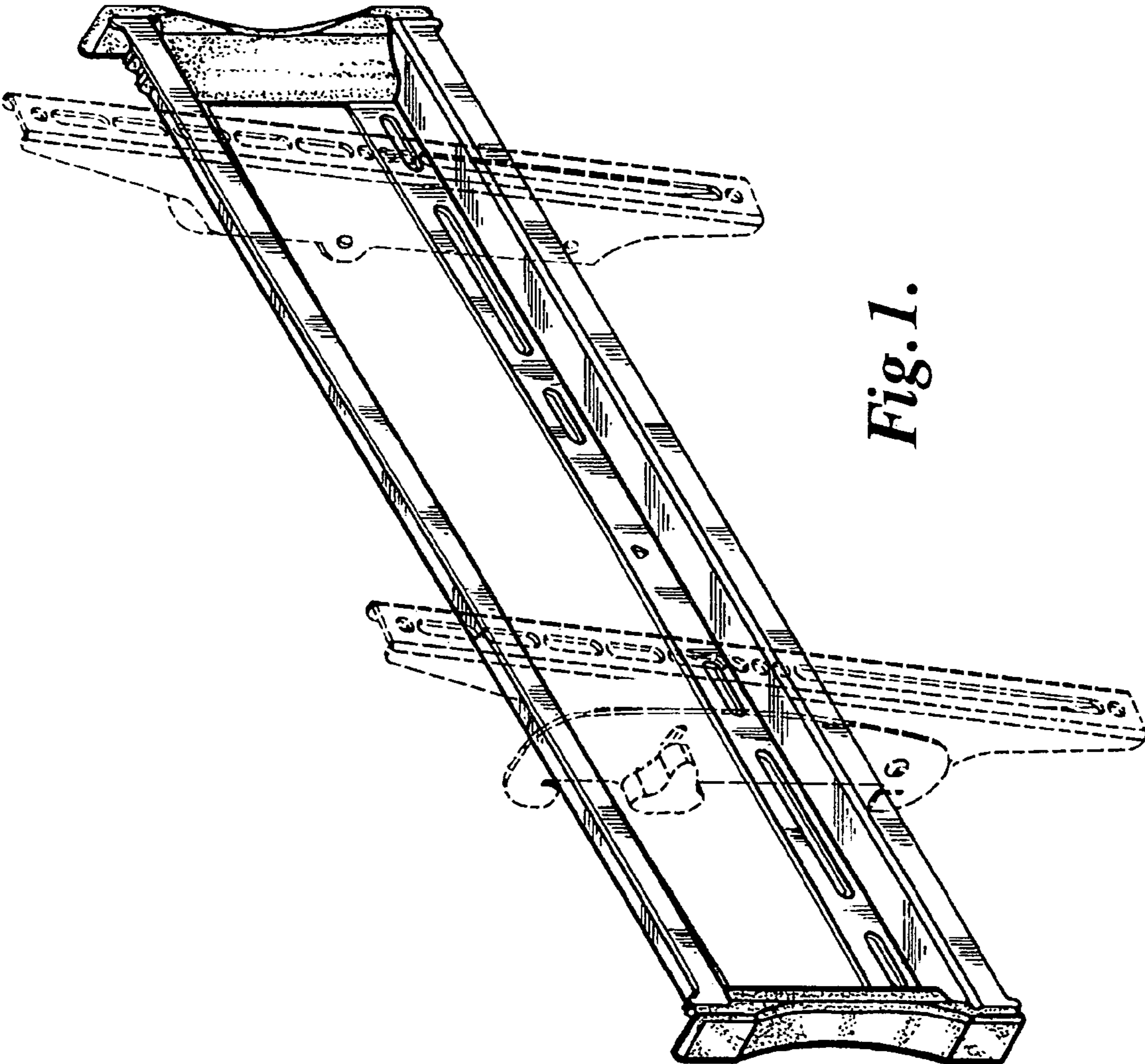
FIG. 6 is a side elevation view of the wall interface for display mount depicted in FIG. 1.

The opposing side elevation view, although not depicted, is a mirror image of the view of FIG. 6.

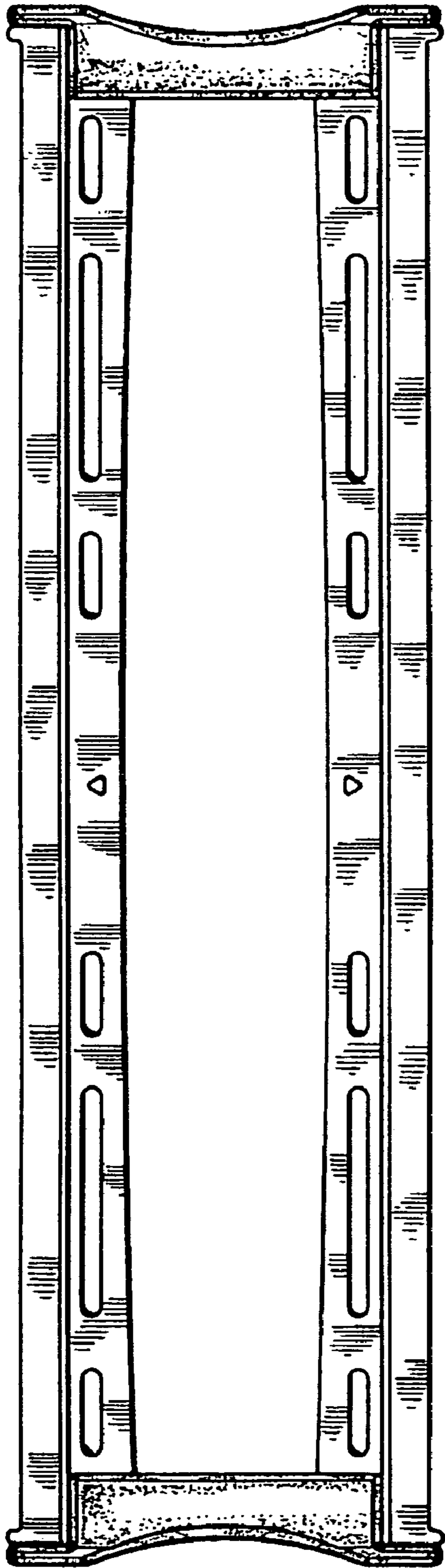
The broken-line disclosure in the views is for illustrative purposes only and forms no part of the claimed design.

**1 Claim, 3 Drawing Sheets**





*Fig. 1.*



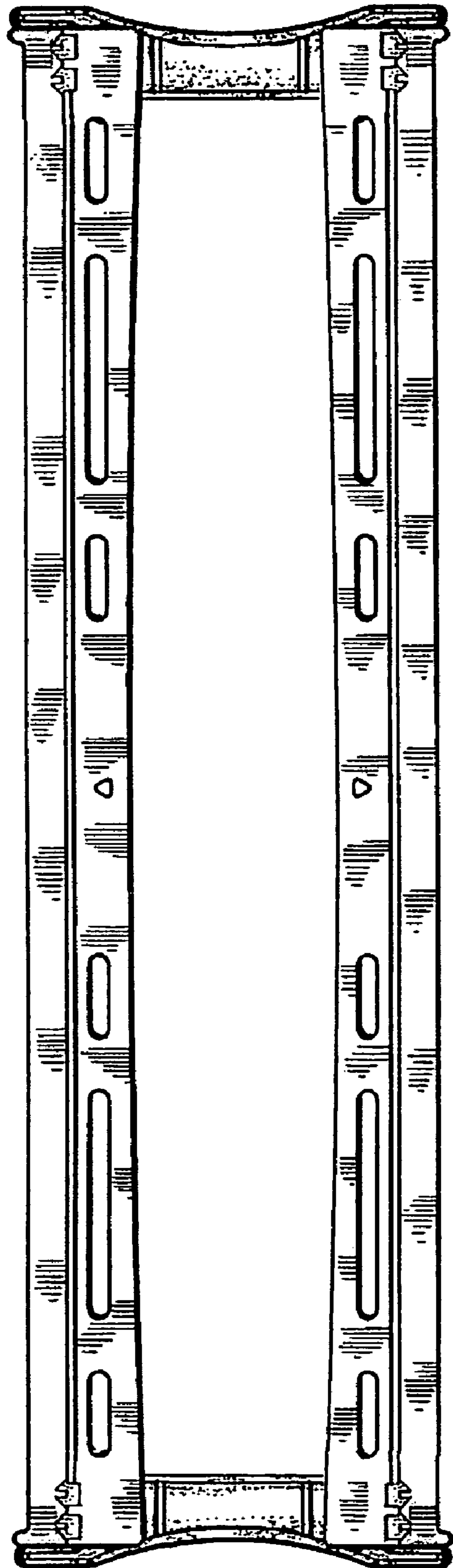
*Fig. 2.*



*Fig. 3.*



*Fig. 4.*



*Fig. 5.*



*Fig. 6.*