



US00D561557S

(12) **United States Design Patent**
McConnell

(10) **Patent No.:** **US D561,557 S**

(45) **Date of Patent:** **** Feb. 12, 2008**

(54) **PULL**

(75) **Inventor:** **Jennifer McConnell**, Greensboro, NC
(US)

(73) **Assignee:** **Liberty Hardware Mfg. Corp.**,
Winston-Salem, NC (US)

(**) **Term:** **14 Years**

(21) **Appl. No.:** **29/265,694**

(22) **Filed:** **Sep. 7, 2006**

(51) **LOC (8) Cl.** **08-06**

(52) **U.S. Cl.** **D8/316**

(58) **Field of Classification Search** D8/300,
D8/302, 305, 307, 310-312, 315-321, DIG. 1,
D8/DIG. 2; D7/393; D3/318; D23/250-254;
D13/158, 171, 174; 292/347, 336.3; 200/336,
200/341; 16/110.1, 412, 414-420, 443-446,
16/441, 118, 111 R, 110 R, DIG. 19, DIG. 30
See application file for complete search history.

(56) **References Cited**

U.S. PATENT DOCUMENTS

D49,410 S *	7/1916	Sargent	D8/316
D105,966 S *	9/1937	Morand et al.	D8/316
D194,968 S *	4/1963	Stelma	D8/317
D200,196 S *	2/1965	Carsello	D8/317
D203,031 S *	11/1965	Carsello	D8/317
D205,349 S *	7/1966	Clayton	D8/316

D225,302 S *	12/1972	Tegner	D8/316
D257,476 S *	11/1980	Sirois	D8/316
D290,336 S *	6/1987	Paul	D8/308
D315,488 S *	3/1991	Tremonti	D8/316
D323,021 S *	1/1992	Kohler et al.	D23/252
D471,075 S *	3/2003	Fields	D8/316

OTHER PUBLICATIONS

Amerock Manor Pull 3A (76mm)c.c. Product AME-BP26130-26,
http://www.thehardwarehut.com/catalog-product.php?p_ref=23943 1 page cited on Aug. 29, 2007.*

* cited by examiner

Primary Examiner—Stella M. Reid

Assistant Examiner—Mark Goodwin

(74) *Attorney, Agent, or Firm*—Edgar A. Zarins; Lloyd D. Doigan

(57) **CLAIM**

The ornamental design for a pull, as shown and described.

DESCRIPTION

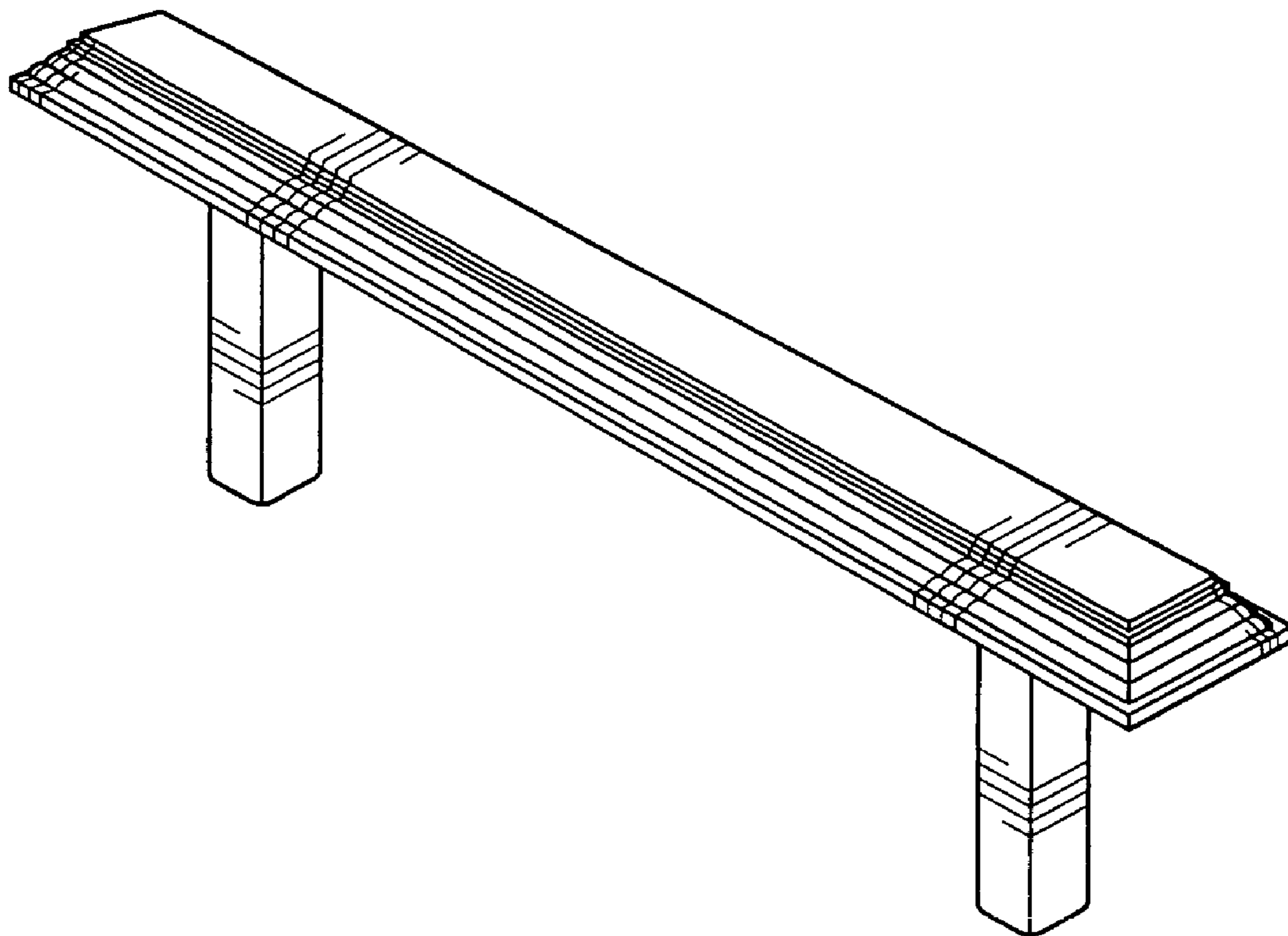
FIG. 1 is a perspective view of a pull showing my new design;

FIG. 2 is a side view thereof, the opposite side being a mirror image of the side shown;

FIG. 3 is a front elevational view thereof; and,

FIG. 4 is an end view thereof, the opposite end being a mirror image of the end shown.

1 Claim, 1 Drawing Sheet



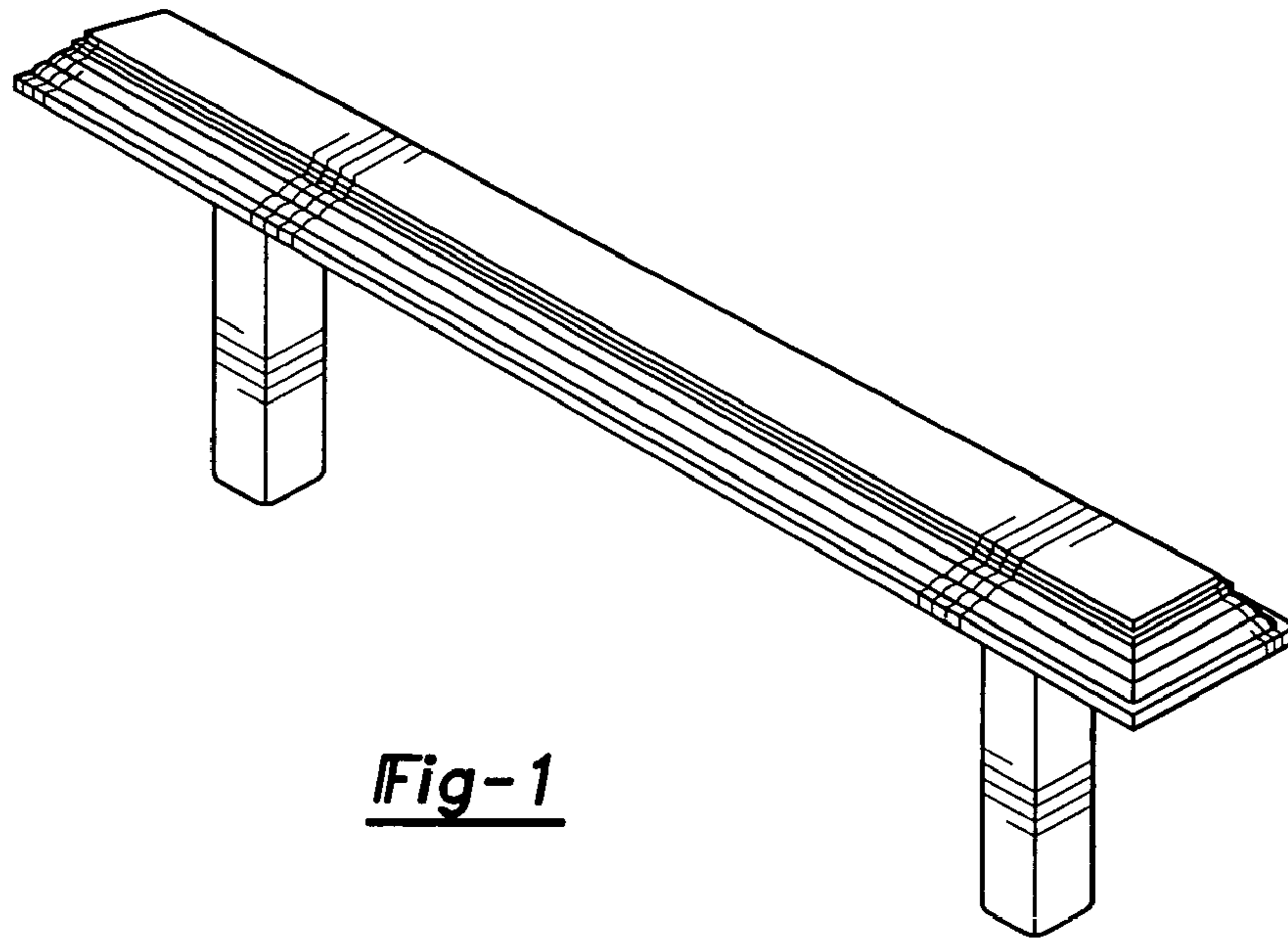


Fig-1

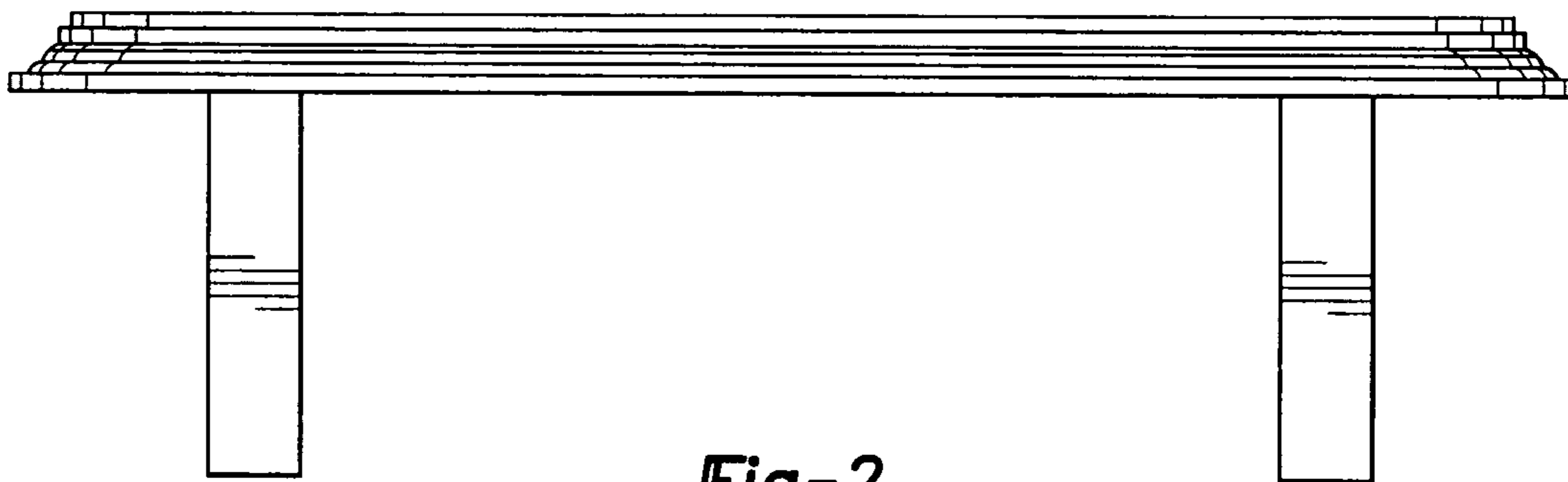


Fig-2

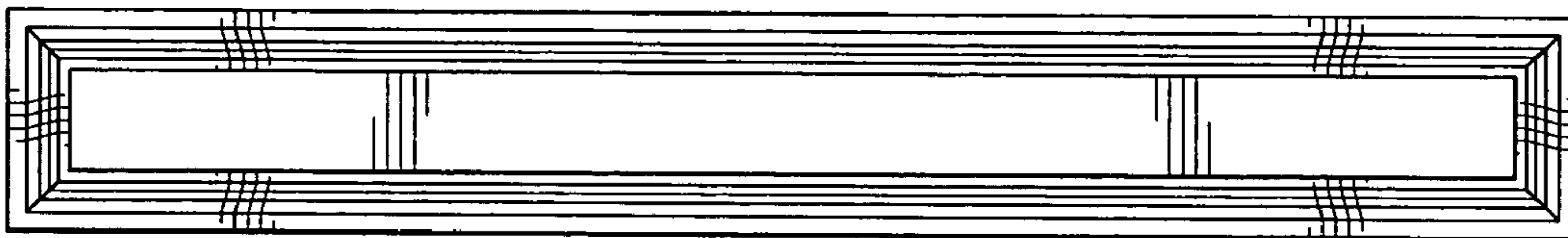


Fig-3

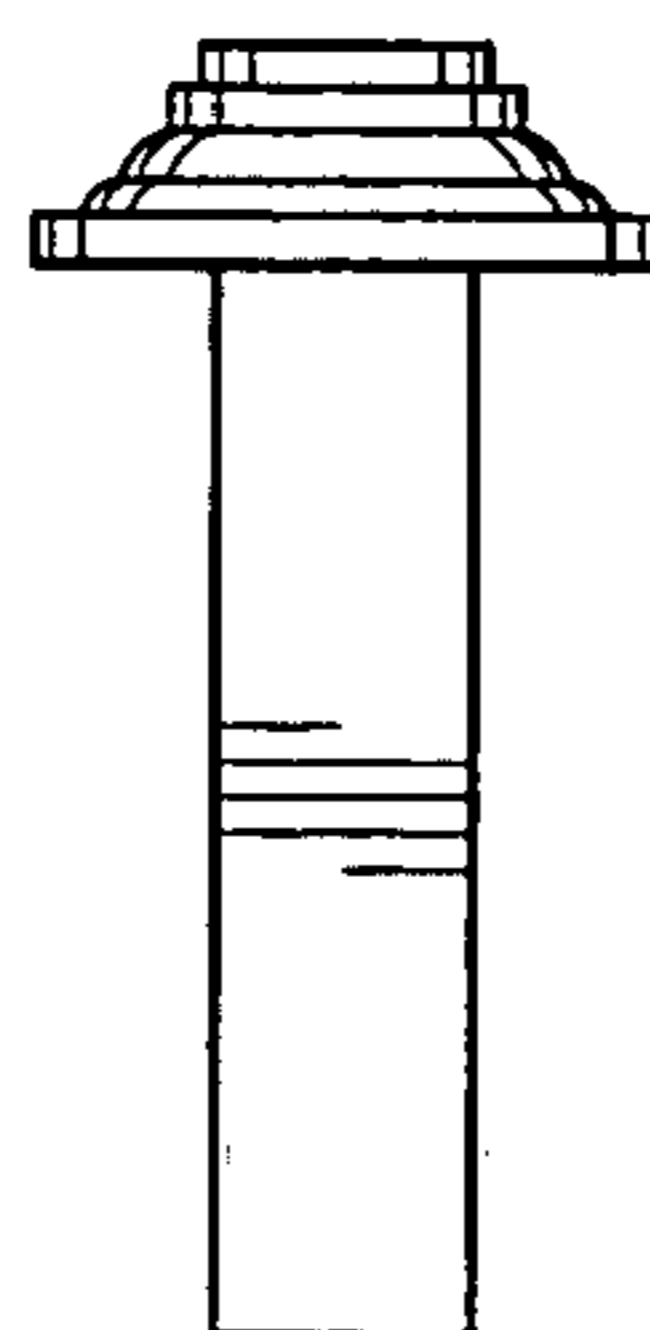


Fig-4