



US00D561556S

(12) **United States Design Patent**  
**McConnell**

(10) **Patent No.:** **US D561,556 S**

(45) **Date of Patent:** **\*\* Feb. 12, 2008**

(54) **PULL**

(75) Inventor: **Jennifer McConnell**, Greensboro, NC  
(US)

(73) Assignee: **Liberty Hardware Mfg. Corp.**,  
Winston-Salem, NC (US)

(\*\*) Term: **14 Years**

(21) Appl. No.: **29/265,692**

(22) Filed: **Sep. 7, 2006**

(51) **LOC (8) Cl.** ..... **08-06**

(52) **U.S. Cl.** ..... **D8/316**

(58) **Field of Classification Search** ..... D8/300,  
D8/302, 305, 307, 310-312, 315-321, DIG. 1,  
D8/DIG. 2; D7/393; D3/318; D23/250-254;  
D13/158, 171, 174; 292/347, 336.3; 200/336,  
200/341; 16/110.1, 412, 414-420, 443-446,  
16/441, 118, 111 R, 110 R, DIG. 19, DIG. 30  
See application file for complete search history.

(56) **References Cited**

U.S. PATENT DOCUMENTS

D49,410 S *	7/1916	Sargent	.....	D8/316
D105,966 S *	9/1937	Morand et al.	.....	D8/316
D194,968 S *	4/1963	Stelma	.....	D8/317
D200,196 S *	2/1965	Carsello	.....	D8/317

D203,031 S *	11/1965	Carsello	.....	D8/317
D205,349 S *	7/1966	Clayton	.....	D8/316
D225,302 S *	12/1972	Tegner	.....	D8/316
D257,476 S *	11/1980	Sirois	.....	D8/316
D290,336 S *	6/1987	Paul	.....	D8/308
D315,488 S *	3/1991	Tremonti	.....	D8/316
D323,021 S *	1/1992	Kohler et al.	.....	D23/252
D471,075 S *	3/2003	Fields	.....	D8/316

\* cited by examiner

*Primary Examiner*—Stella M. Reid

*Assistant Examiner*—Mark Goodwin

(74) *Attorney, Agent, or Firm*—Edgar A. Zarins; Lloyd D. Doigan

(57) **CLAIM**

The ornamental design for a pull, as shown and described.

**DESCRIPTION**

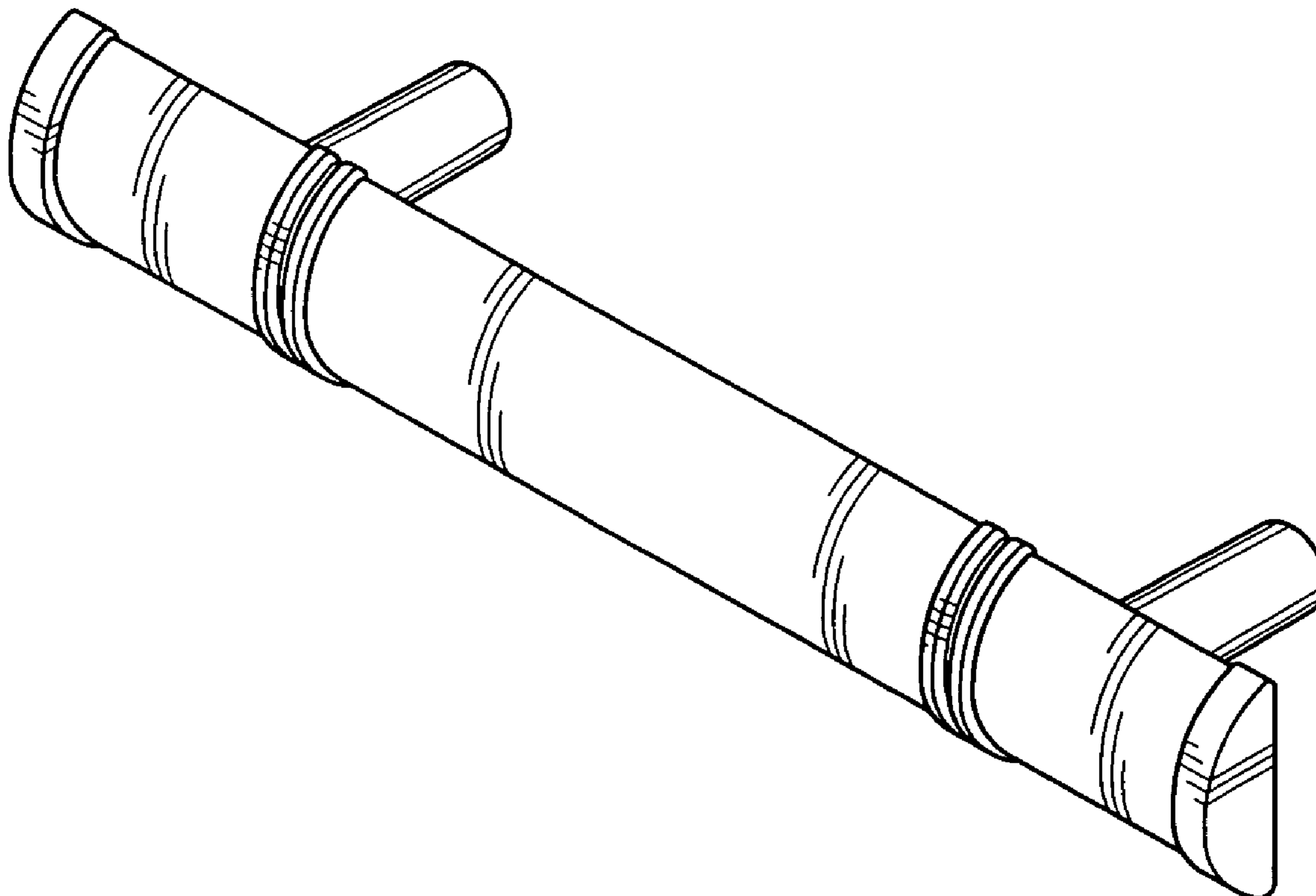
FIG. 1 is a perspective view of a pull showing my new design;

FIG. 2 is a front elevational view thereof;

FIG. 3 is a side view thereof, the opposite side being a mirror image of the side shown; and,

FIG. 4 is an end view thereof, the opposite end being a mirror image of the end shown.

**1 Claim, 1 Drawing Sheet**



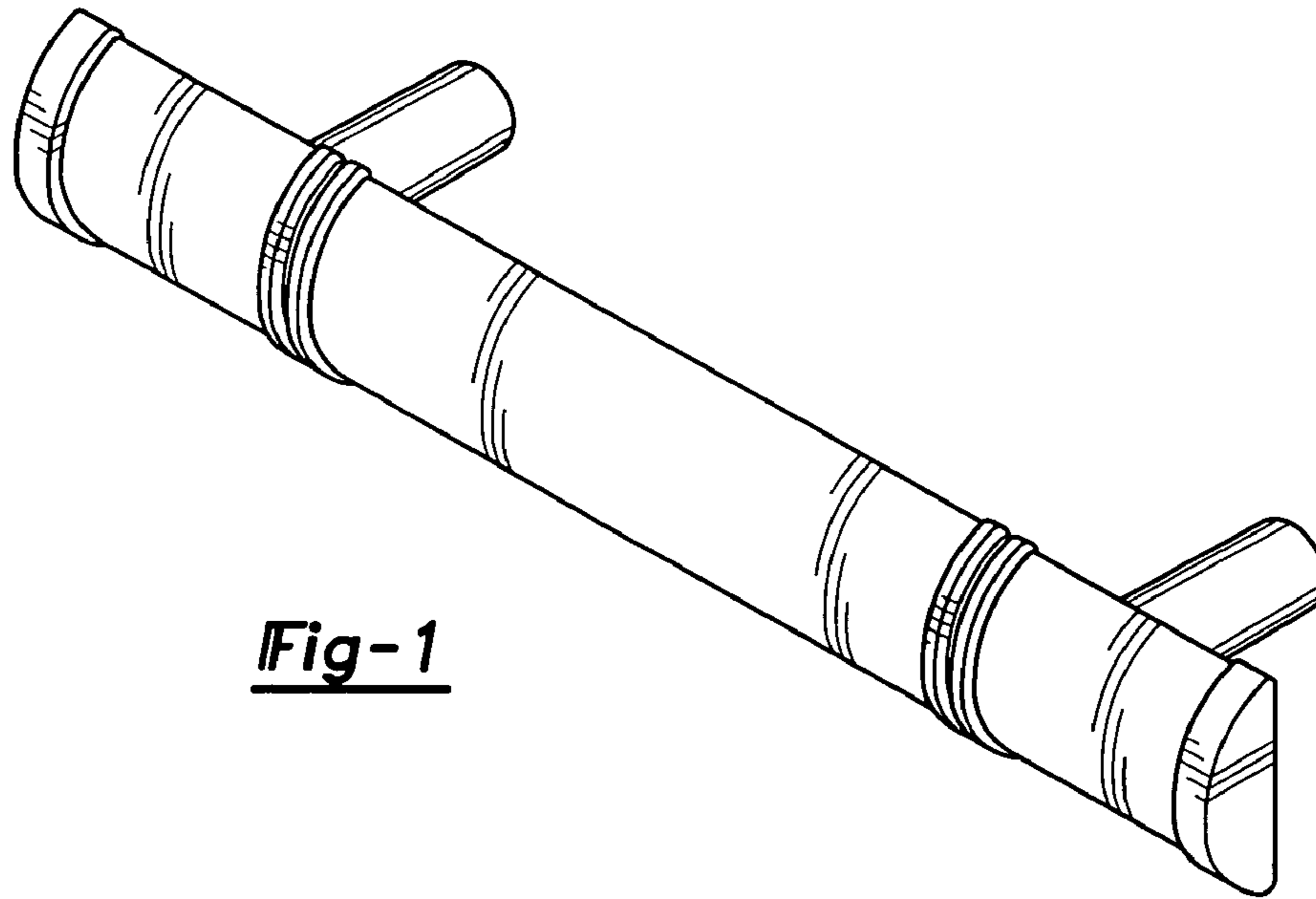


Fig-1

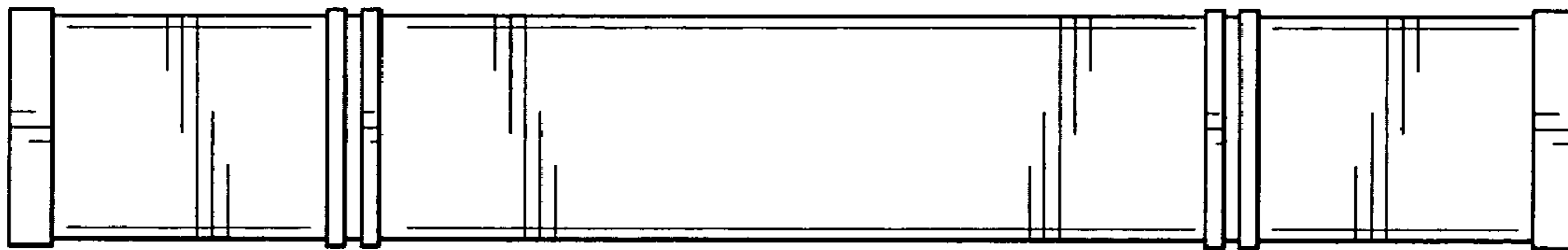


Fig-2

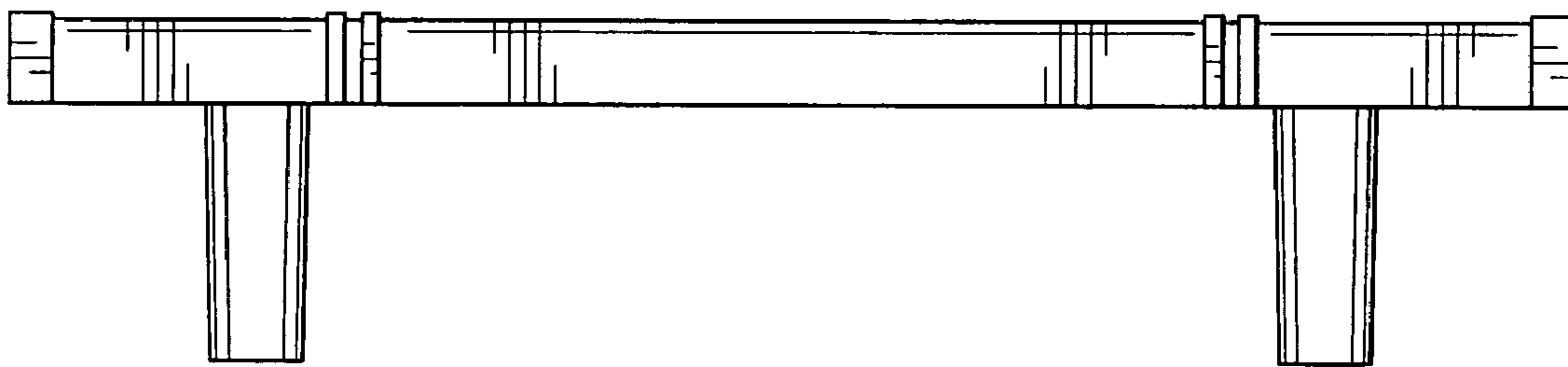


Fig-3

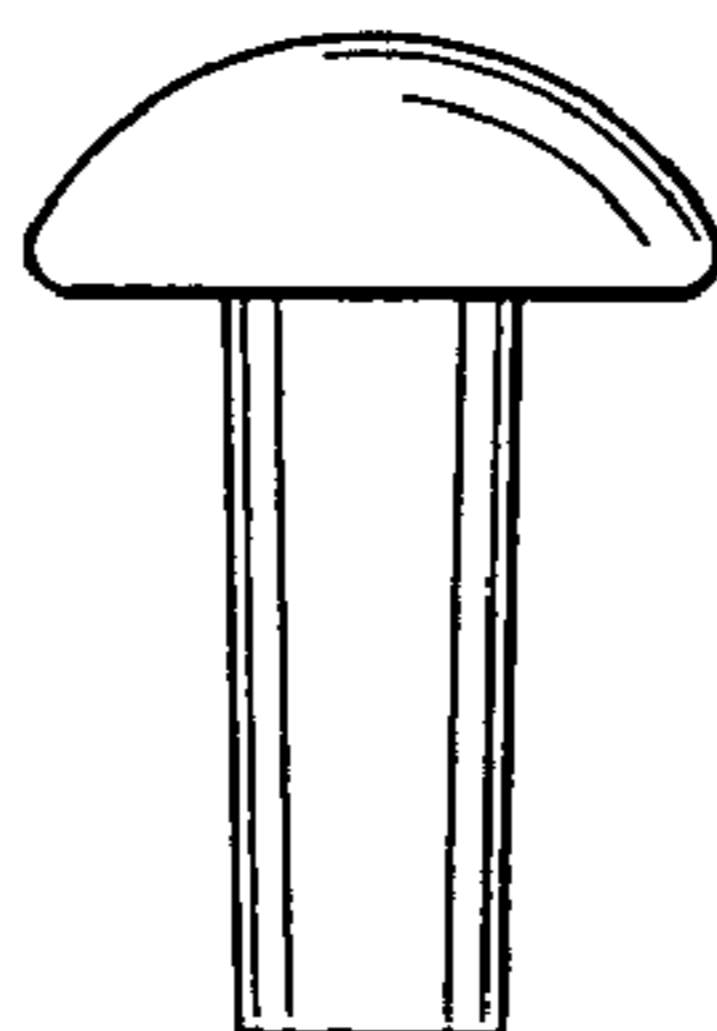


Fig-4