

US00D561554S

(12) **United States Design Patent**
Taylor

(10) **Patent No.:** **US D561,554 S**

(45) **Date of Patent:** **** Feb. 12, 2008**

(54) **POCKET KNIFE HANDLE**

(75) Inventor: **Stewart A. Taylor**, Kingsport, TN (US)

(73) Assignee: **Taylor Brands, LLC**, Kingsport, TN (US)

(**) Term: **14 Years**

(21) Appl. No.: **29/248,754**

(22) Filed: **Aug. 31, 2006**

(51) **LOC (8) Cl.** **08-03**

(52) **U.S. Cl.** **D8/99**

(58) **Field of Classification Search** D8/98,
D8/99, 100, 105, 107; 30/155, 156, 157,
30/158, 159, 160

See application file for complete search history.

(56) **References Cited**

U.S. PATENT DOCUMENTS

- D373,521 S * 9/1996 Applegate et al. D8/99
- D397,017 S * 8/1998 Pardue D8/99
- 5,819,414 A * 10/1998 Marifone 30/160
- D422,477 S * 4/2000 Elishewitz D8/99
- D422,873 S * 4/2000 McHenry et al. D8/99
- D489,956 S * 5/2004 Rae D8/99
- 6,732,436 B2 * 5/2004 Moizis 30/155
- D510,514 S * 10/2005 Ray et al. D8/99
- 6,959,494 B2 * 11/2005 Taylor 30/159

- 7,107,685 B1 * 9/2006 Anderson 30/158
- 2001/0032391 A1 * 10/2001 Onion 30/161

* cited by examiner

Primary Examiner—Philip S. Hyder

(74) *Attorney, Agent, or Firm*—Luedeka, Neely & Graham, PC

(57) **CLAIM**

The ornamental design for a pocket knife handle, as shown.

DESCRIPTION

FIG. 1 is a perspective view of the pocket knife handle of my new design;

FIG. 2 is a left side view of the pocket knife handle of my new design;

FIG. 3 is a top plan view of the pocket knife handle of my new design;

FIG. 4 is a right side view of the pocket knife handle of my new design;

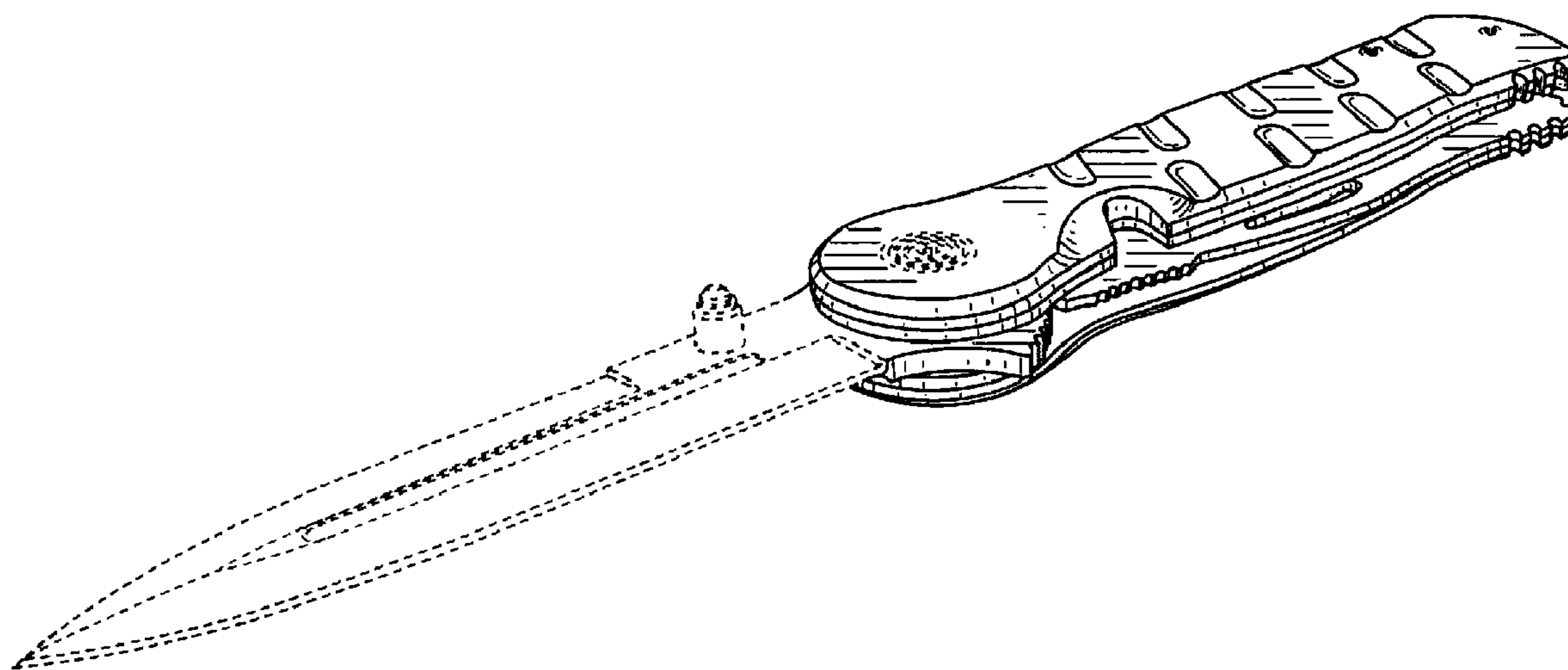
FIG. 5 is a bottom plan view of the pocket knife handle of my new design;

FIG. 6 is a rear end view of the pocket knife handle of my new design; and,

FIG. 7 is a front end view of the pocket knife handle of my new design.

The broken line showing of the blade is included for the purpose of illustrating unclaimed structure and forms no part of the claimed design.

1 Claim, 4 Drawing Sheets



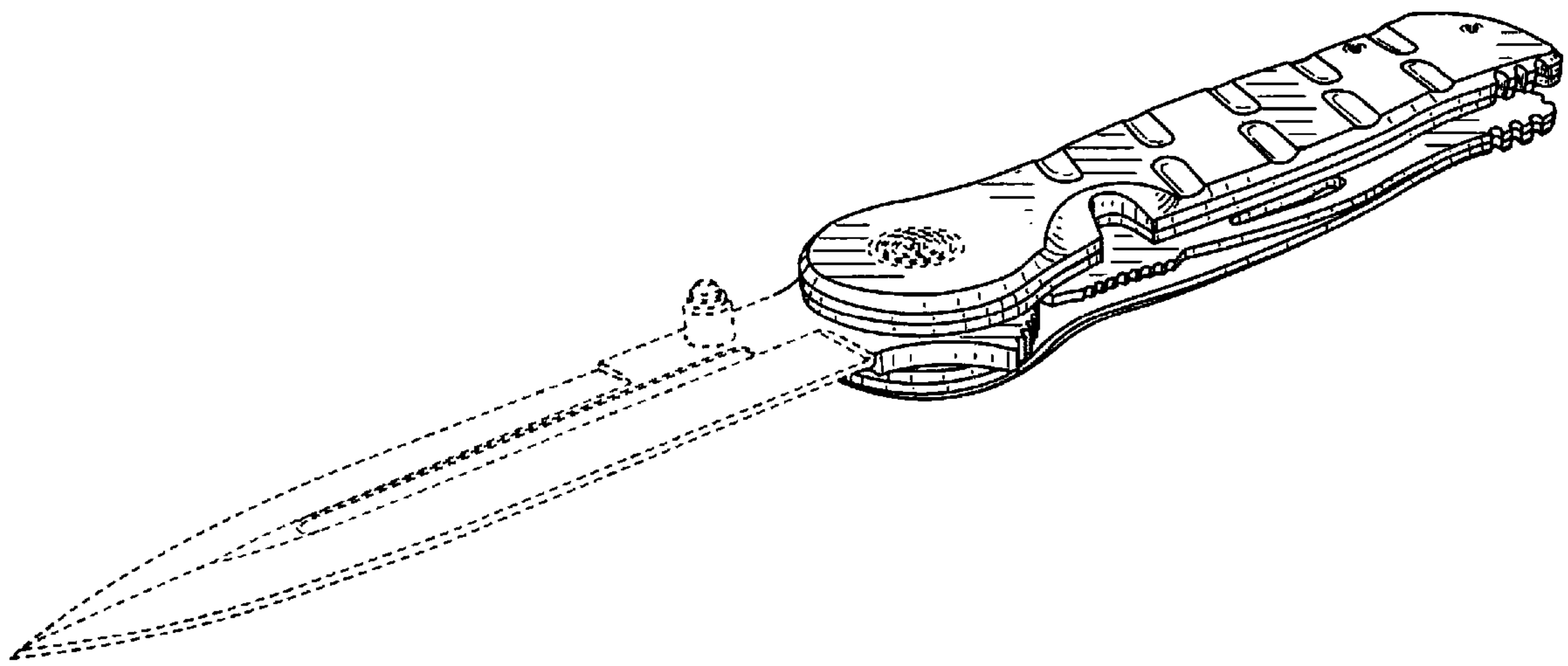


FIG. 1

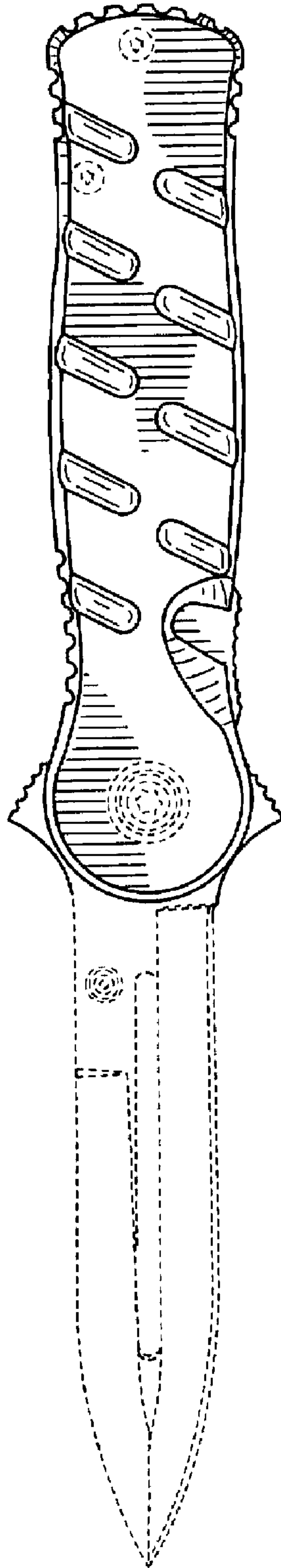


FIG. 2

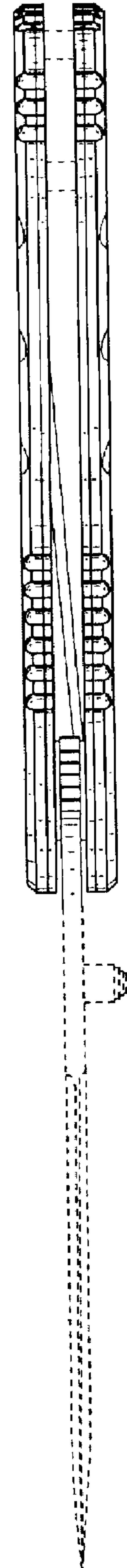


FIG. 3

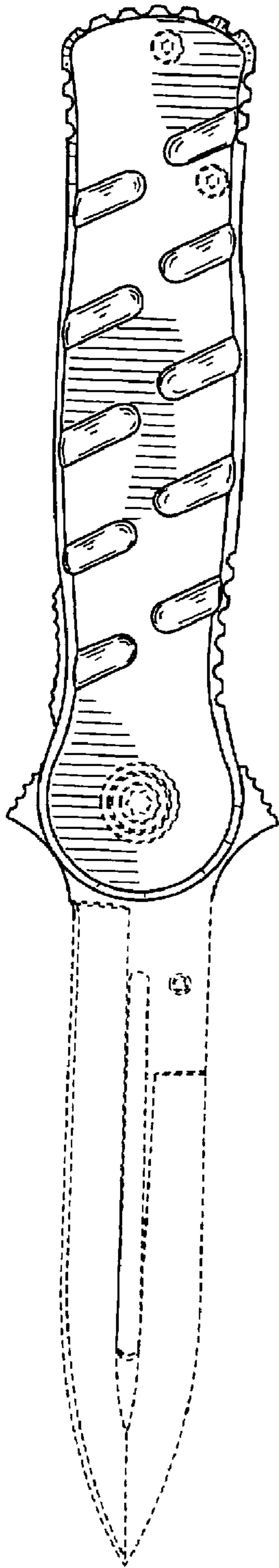


FIG. 4

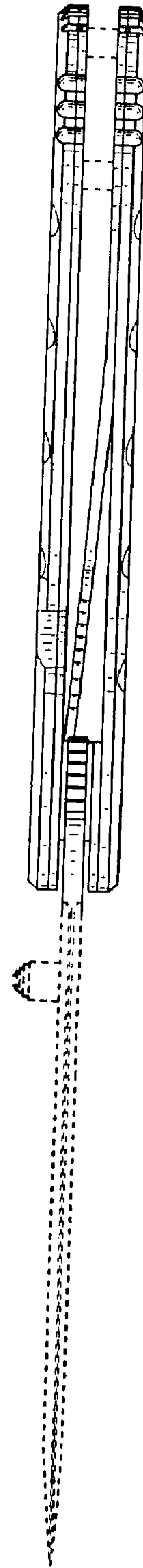


FIG. 5

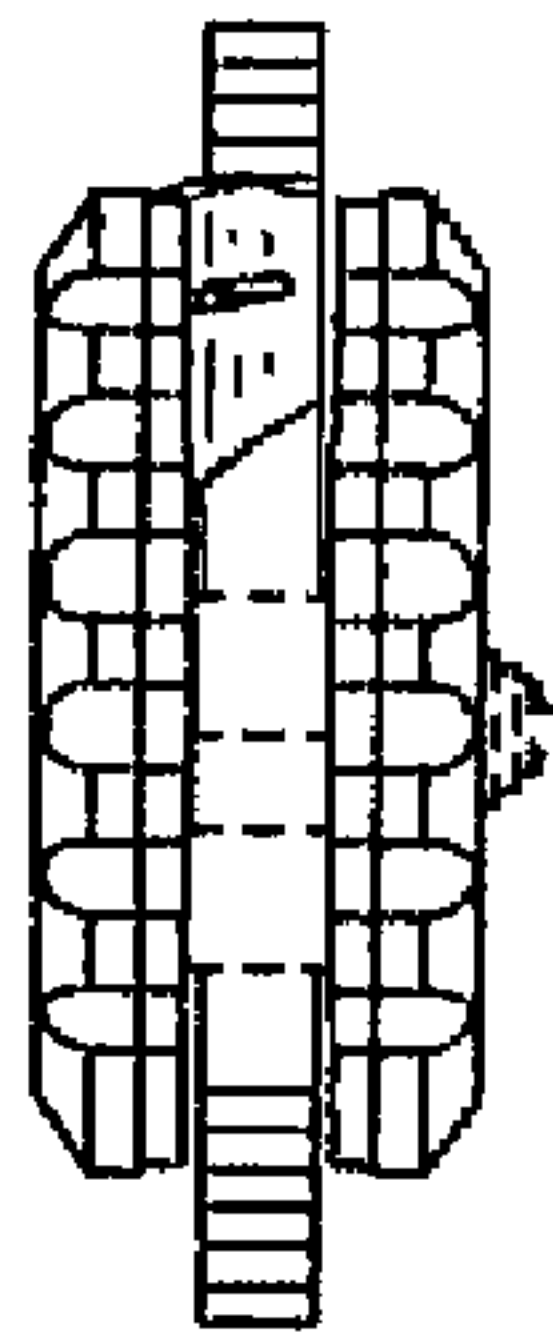


FIG. 6



FIG. 7