

US00D561552S

(12) **United States Design Patent**
Tsuchida

(10) **Patent No.:** **US D561,552 S**
(45) **Date of Patent:** **** Feb. 12, 2008**

(54) **CUTTING-TOOL HOLDER USED FOR GRINDING**

(75) Inventor: **Mino Tsuchida**, Funabashi (JP)

(73) Assignee: **Master Cutlery Corporation** (JP)

(**) Term: **14 Years**

(21) Appl. No.: **29/238,980**

(22) Filed: **Sep. 26, 2005**

(30) **Foreign Application Priority Data**

Sep. 12, 2005 (CN) 112605

(51) **LOC (8) Cl.** **08-05**

(52) **U.S. Cl.** **D8/71**

(58) **Field of Classification Search** D8/63,
D8/70-74, 93, 394-396; D7/683, 686; D19/65,
D19/76, 86; 24/3.1, 67 R, 455, 489, 499,
24/500, 502; 30/124, 492; 294/99.2; 452/195
See application file for complete search history.

(56) **References Cited**

U.S. PATENT DOCUMENTS

320,624	A *	6/1885	Carnell	294/99.2
1,122,628	A *	12/1914	Myers	24/67.5
1,350,585	A *	8/1920	Wirth	401/88
1,360,582	A *	11/1920	Roberts	294/99.2
D60,275	S *	1/1922	Stone	D19/65
1,417,619	A *	5/1922	Male	294/99.2
1,622,309	A *	3/1927	De Forest	30/113.2
1,893,508	A *	1/1933	Rosenberg	24/331
D113,211	S *	1/1939	Zimmer	D8/93
D132,430	S *	5/1942	Rosenberg	D19/65
D142,467	S *	10/1945	Boettinger	D8/93
2,437,495	A *	3/1948	Anderson	451/371
2,815,557	A *	12/1957	Jorgensen	24/510
2,950,585	A *	8/1960	Bell	451/371
D201,641	S *	7/1965	Bitzengurger	D8/72
3,785,008	A *	1/1974	Parker	452/195
3,911,531	A *	10/1975	Buturuga	24/10 R

3,924,360	A *	12/1975	Haile et al.	451/371
D252,275	S *	7/1979	McCrea	D18/40
D303,811	S *	10/1989	de Witt	D19/65
D317,246	S *	6/1991	Driscoll	D9/434
5,335,399	A *	8/1994	Chou	24/67.7
D356,340	S *	3/1995	Browning, Jr.	D19/91
5,472,375	A *	12/1995	Pugh	451/367
5,546,640	A *	8/1996	Kronauer et al.	24/510
6,227,958	B1 *	5/2001	Neuberg	451/367
D498,497	S *	11/2004	Lo	D19/65
6,883,769	B2 *	4/2005	Shamoon	248/447
D521,368	S *	5/2006	Carl	D8/395

FOREIGN PATENT DOCUMENTS

JP 2004160636 6/2004

* cited by examiner

Primary Examiner—T. Chase Nelson

Assistant Examiner—Karen Acker

(74) *Attorney, Agent, or Firm*—Banner & Witcoff, Ltd.

(57) **CLAIM**

The ornamental design for a cutting-tool holder used for grinding, as shown and described.

DESCRIPTION

FIG. 1 is a perspective view of a cutting-tool holder used for grinding showing my new design;

FIG. 2 is a front view thereof;

FIG. 3 is a top view thereof

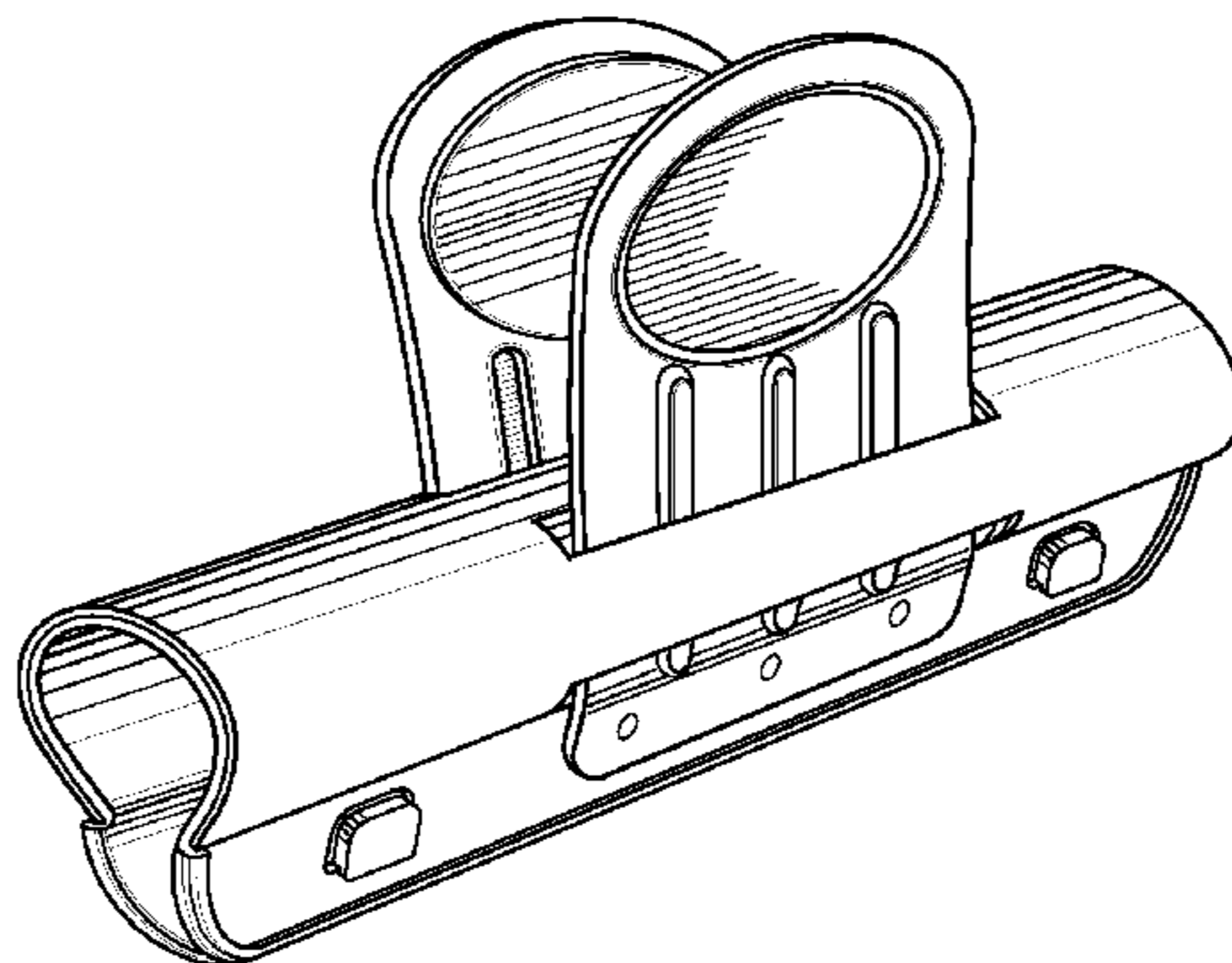
FIG. 4 is a bottom view thereof;

FIG. 5 is a left side view thereof, the right side being a mirror image thereof; and,

FIG. 6 is a perspective view of the embodiment in condition of use.

The broken line showing of the knife and a stone in FIG. 6 is for illustrative purposes only and forms no part of the claimed design.

1 Claim, 3 Drawing Sheets



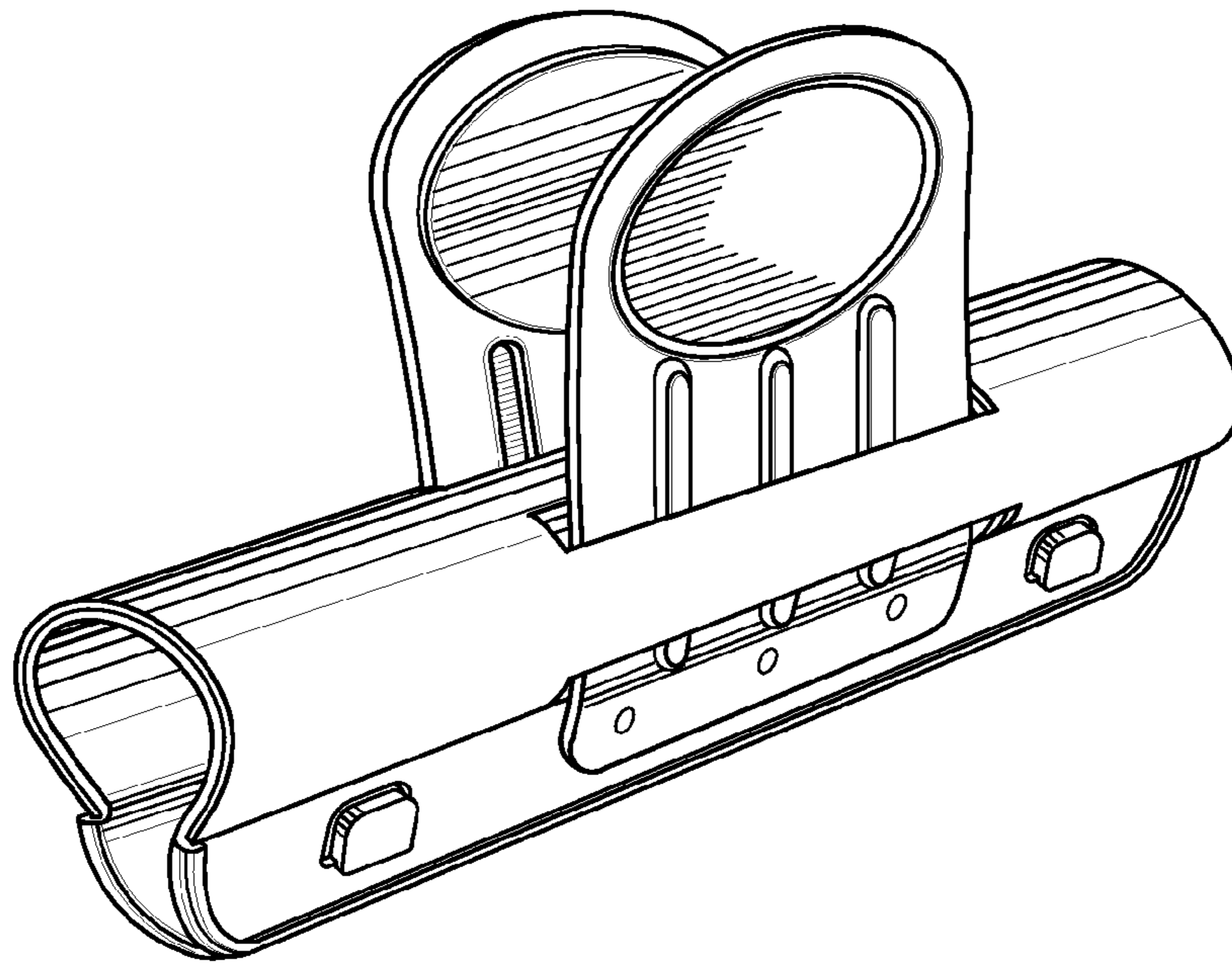


FIG. 1

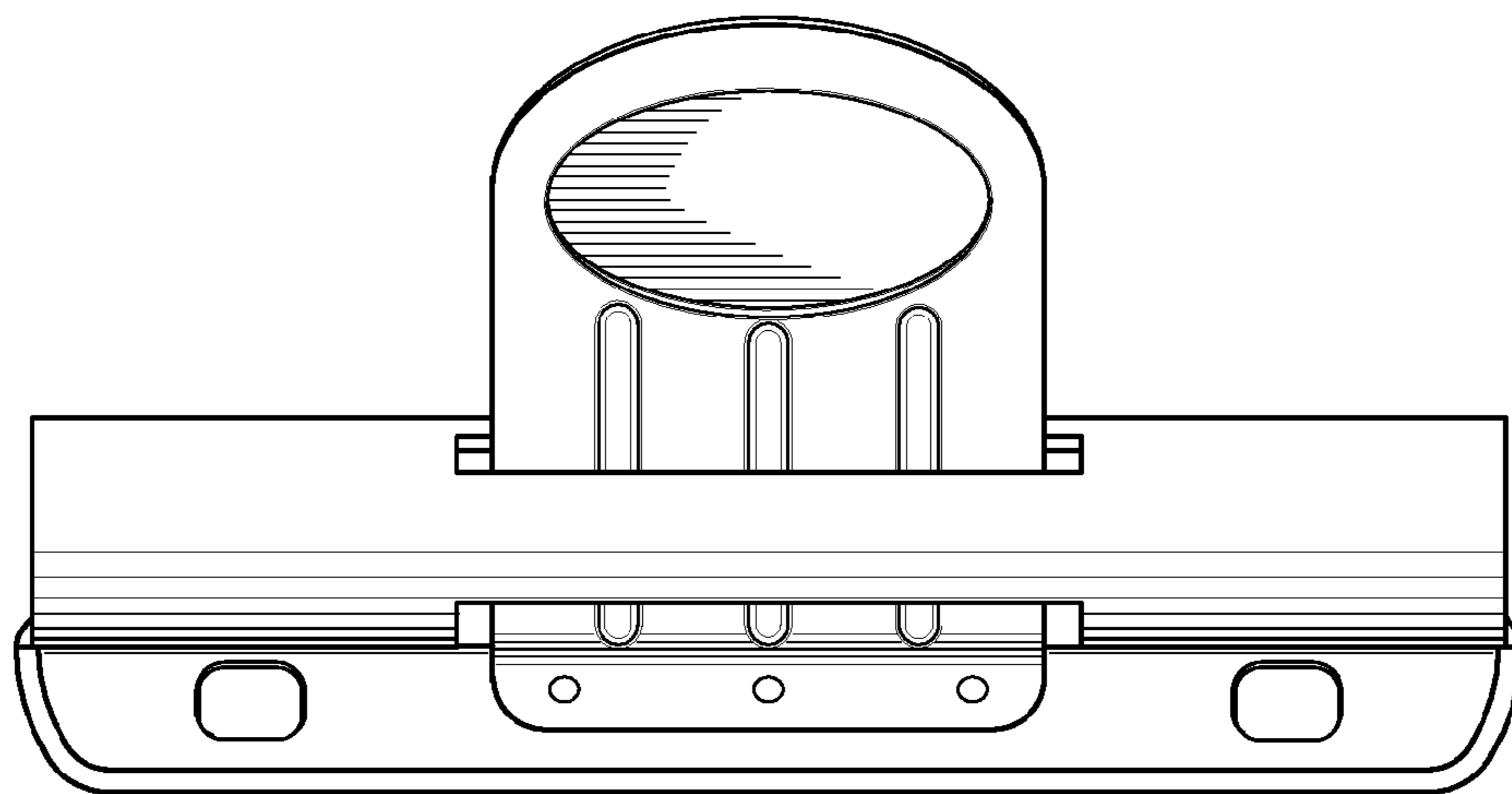


FIG. 2

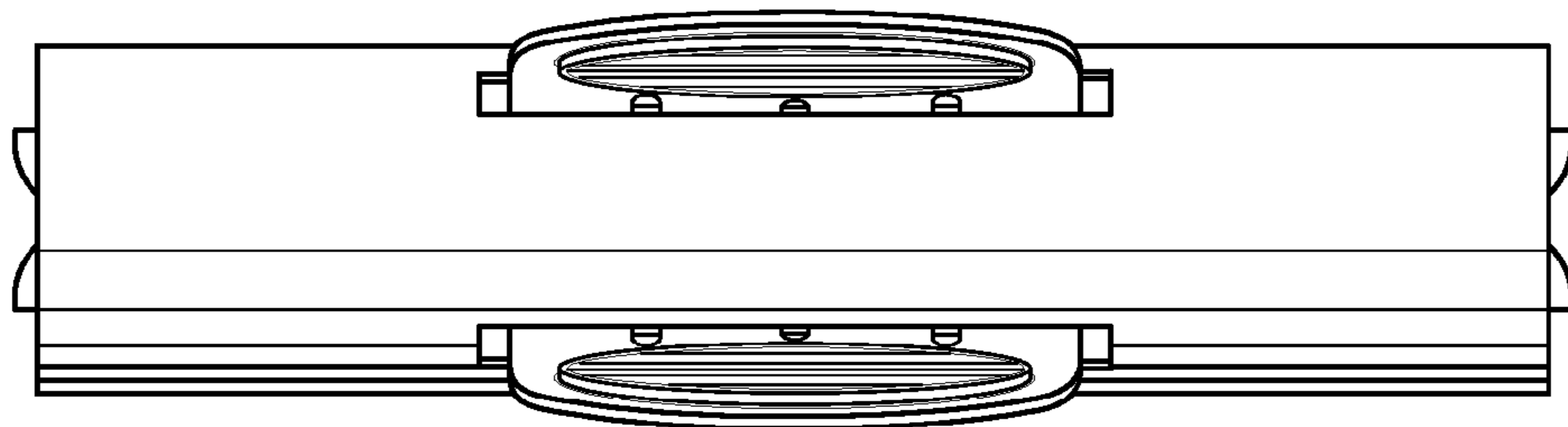


FIG.3

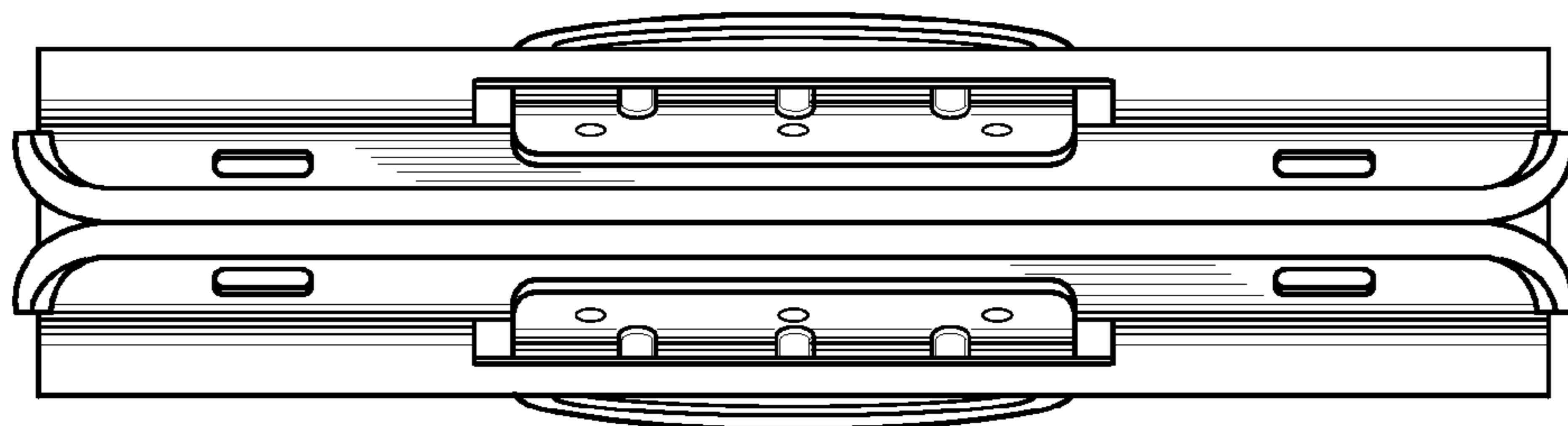


FIG.4

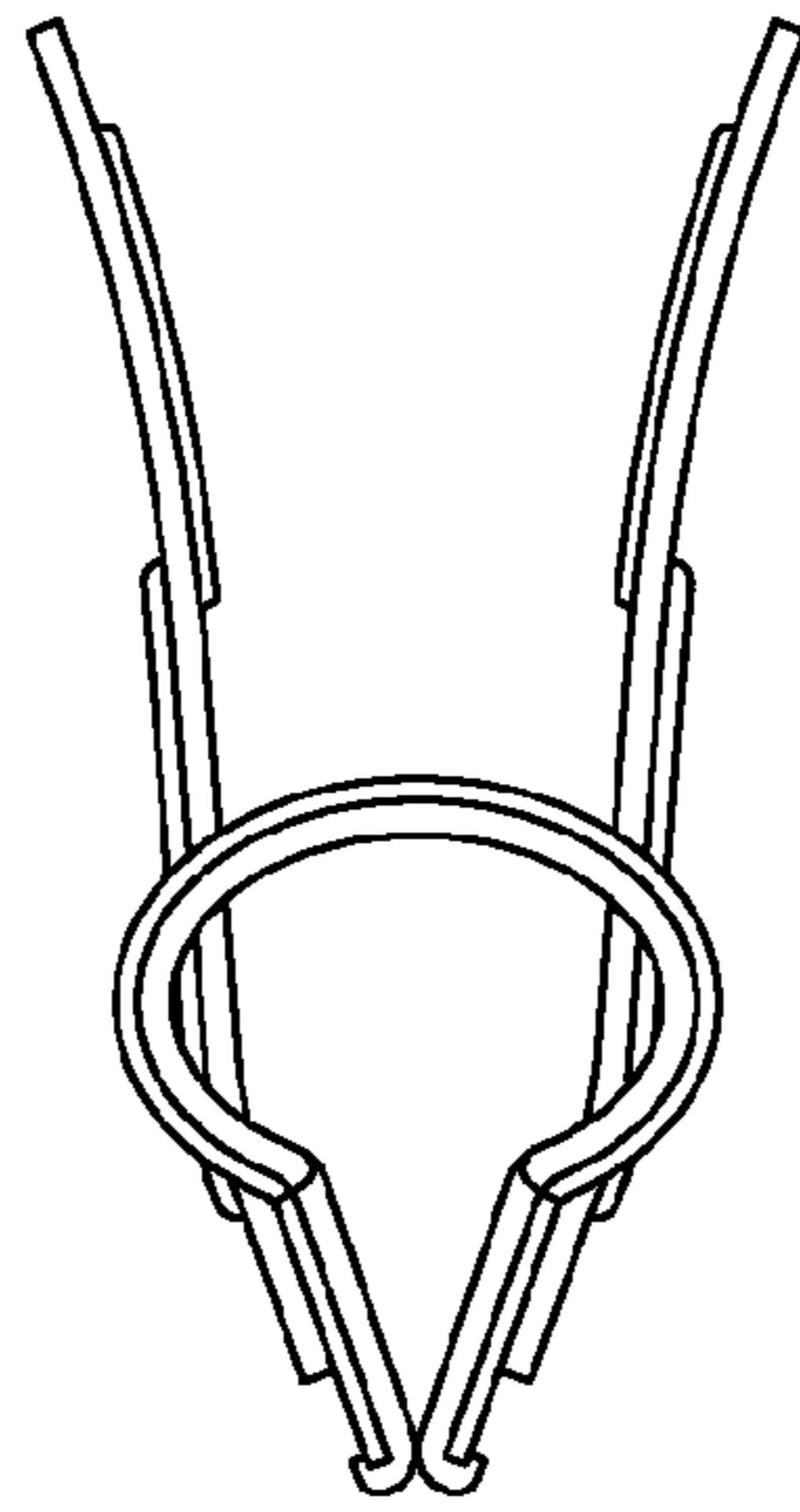


FIG. 5

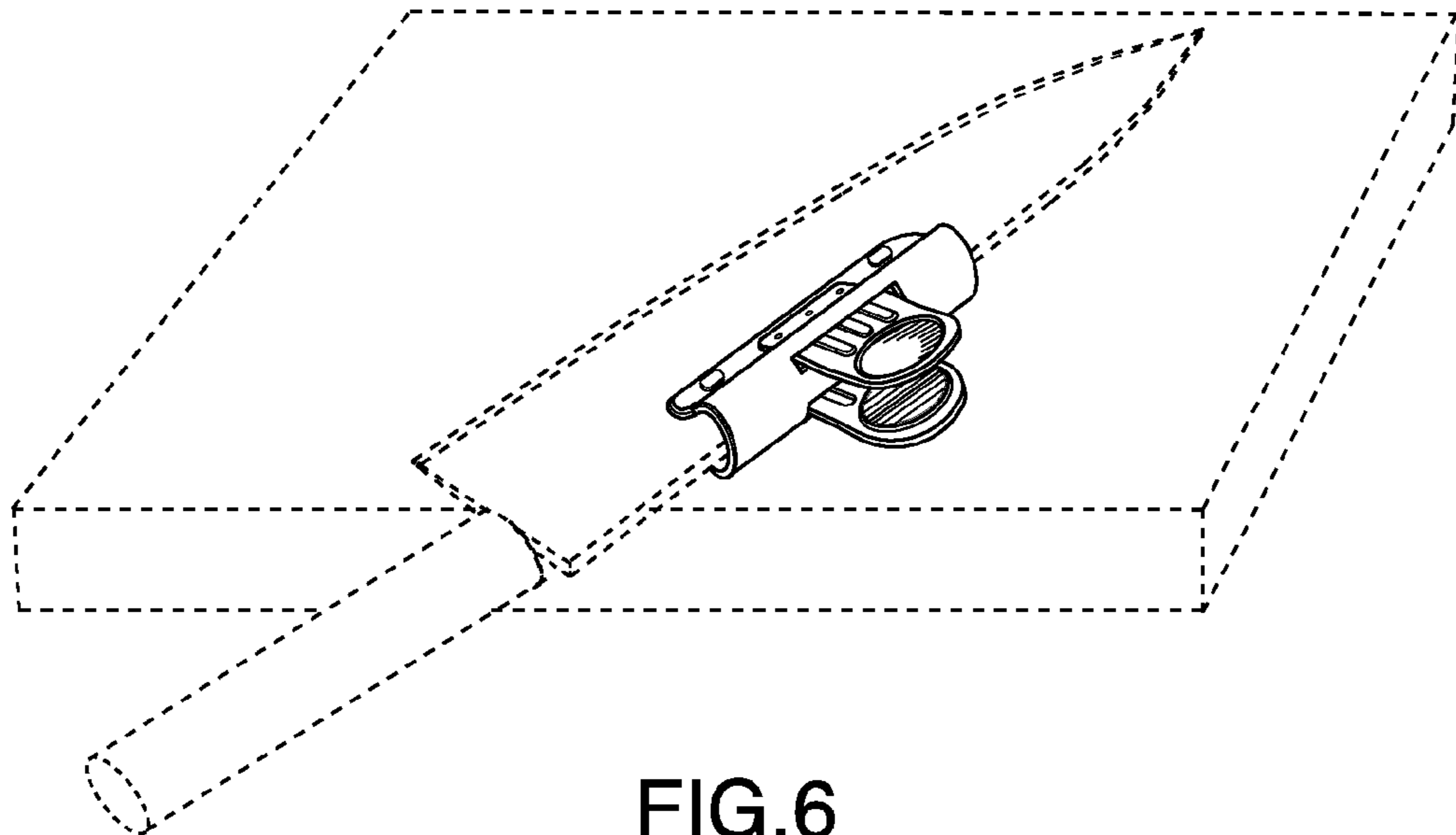


FIG. 6