



US00D561550S

(12) **United States Design Patent**  
**Krushlin et al.**

(10) **Patent No.:** **US D561,550 S**

(45) **Date of Patent:** **\*\* Feb. 12, 2008**

(54) **HAMMER TACKER HANDLE AND GRIP**

(75) Inventors: **Michael A. Krushlin**, Westland, MI (US); **Steven J. Mandel**, New York, NY (US)

(73) Assignee: **Arrow Fastener Co., Inc.**, Saddle Brook, NJ (US)

(\*\*) Term: **14 Years**

(21) Appl. No.: **29/283,319**

(22) Filed: **Aug. 10, 2007**

(51) **LOC (8) Cl.** ..... **19-02**

(52) **U.S. Cl.** ..... **D8/49**

(58) **Field of Classification Search** ..... D8/61-70, D8/81, 49, 50, 51; D19/65; 7/144, 160; 81/57.11, 54, 57.42; 173/2, 202; 227/123, 227/130, 2, 8, 131

See application file for complete search history.

(56) **References Cited**

**U.S. PATENT DOCUMENTS**

D148,032	S	*	12/1947	Lindstrom	.....	D8/49
D168,517	S	*	12/1952	Marano	.....	D8/49
2,655,963	A	*	10/1953	Dell	.....	81/492
3,113,317	A	*	12/1963	Carlson, Sr. et al.	.....	227/128
D272,983	S	*	3/1984	Biddle	.....	D8/51
D324,476	S	*	3/1992	King, III	.....	D8/107
D417,375	S	*	12/1999	Fealey et al.	.....	D8/49
6,047,427	A	*	4/2000	Whitlock et al.	.....	7/144

D448,264	S	*	9/2001	Lee	.....	D8/69
6,823,592	B1	*	11/2004	Rowe	.....	30/329
7,228,998	B1	*	6/2007	Schulz et al.	.....	227/147
2006/0253996	A1	*	11/2006	Bianco	.....	7/160
2007/0205247	A1	*	9/2007	Ebbesson et al.	.....	227/120

\* cited by examiner

*Primary Examiner*—Cathron C. Brooks

*Assistant Examiner*—Austin Murphy

(74) *Attorney, Agent, or Firm*—Leon E. Redman; Lloyd D. Doigan

(57) **CLAIM**

An ornamental design for a hammer tacker handle and grip, as shown and described.

**DESCRIPTION**

FIG. 1 is a top perspective view of the hammer tacker handle and grip showing our new design;

FIG. 2 is a front elevational view thereof;

FIG. 3 is a rear elevational view thereof;

FIG. 4 is a left side view thereof;

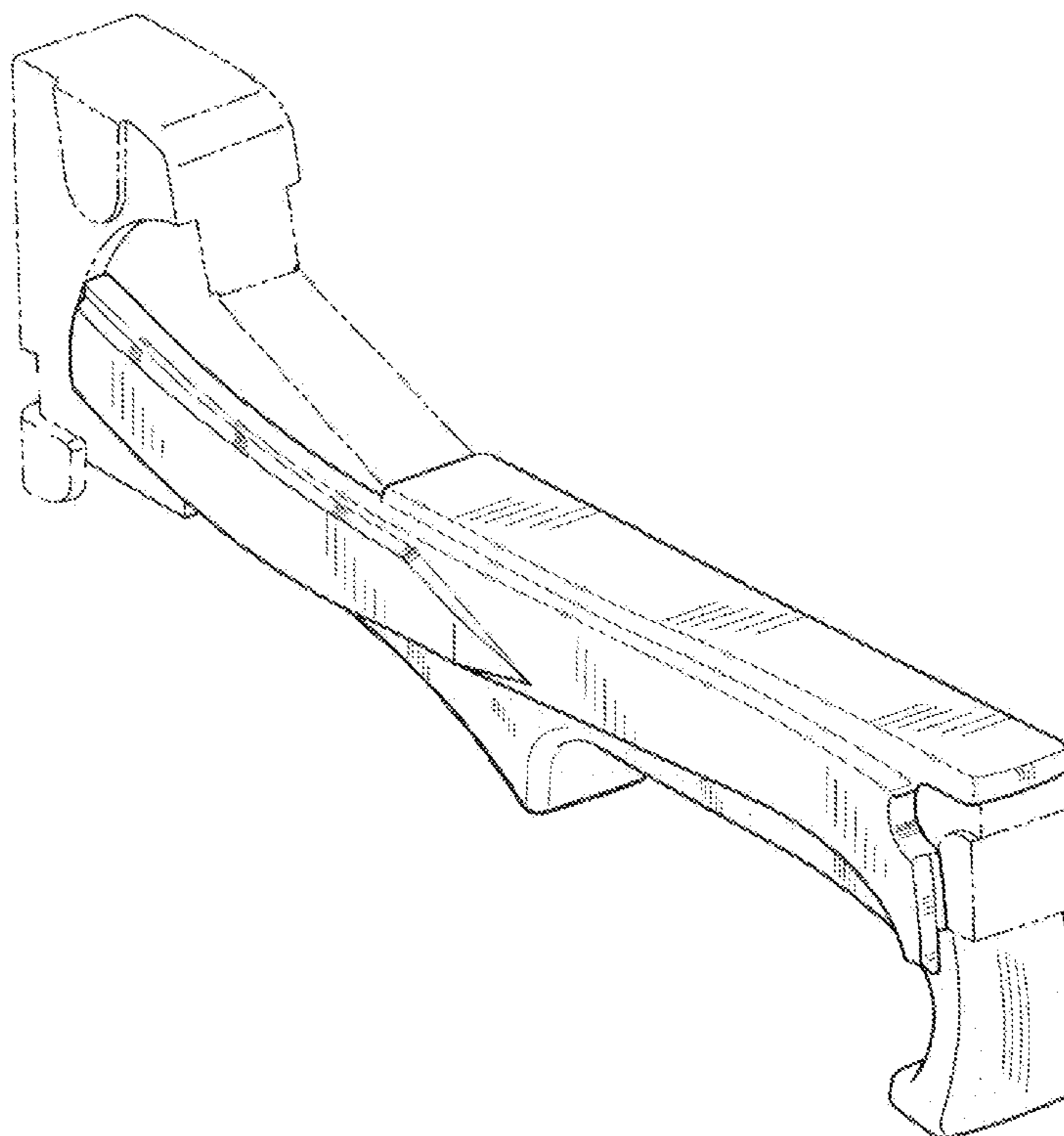
FIG. 5 is a right side view thereof;

FIG. 6 is a top plan view thereof; and,

FIG. 7 is a bottom plan view thereof.

The broken line portions of the drawings are for illustrative purposes and form no part of the claimed invention.

**1 Claim, 3 Drawing Sheets**



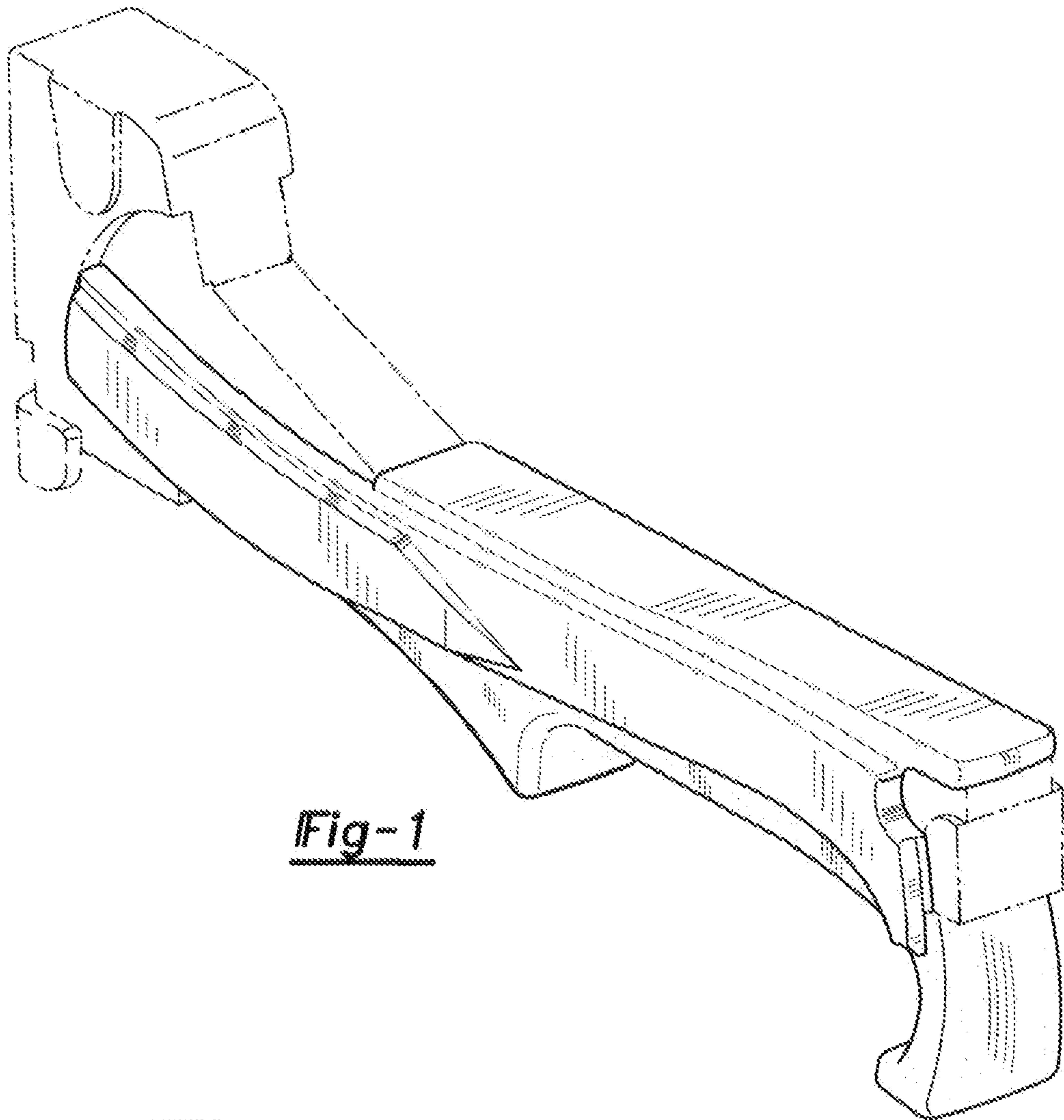


Fig-1

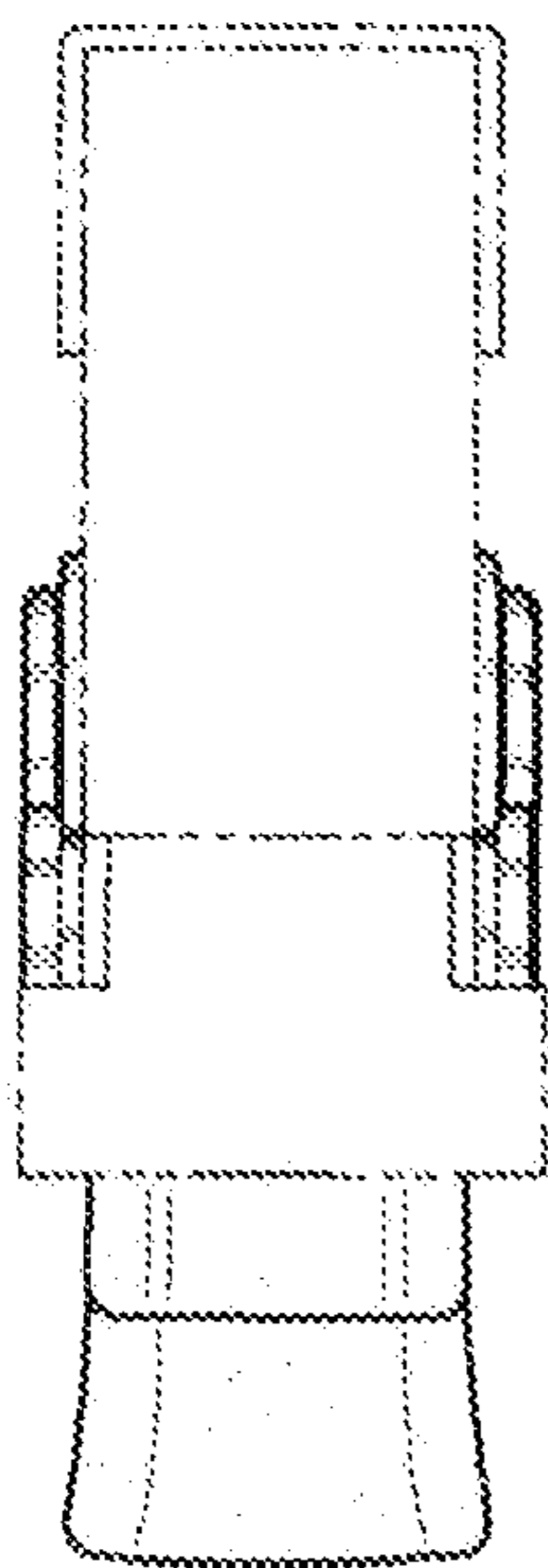


Fig-2

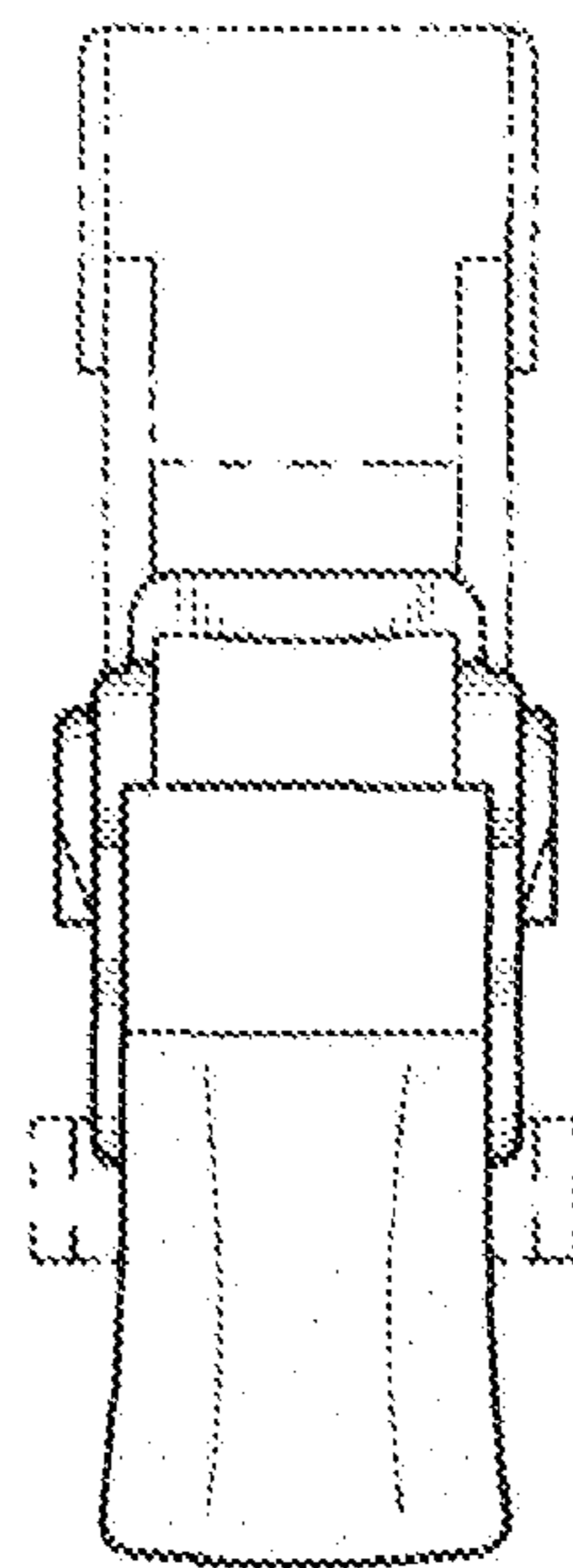
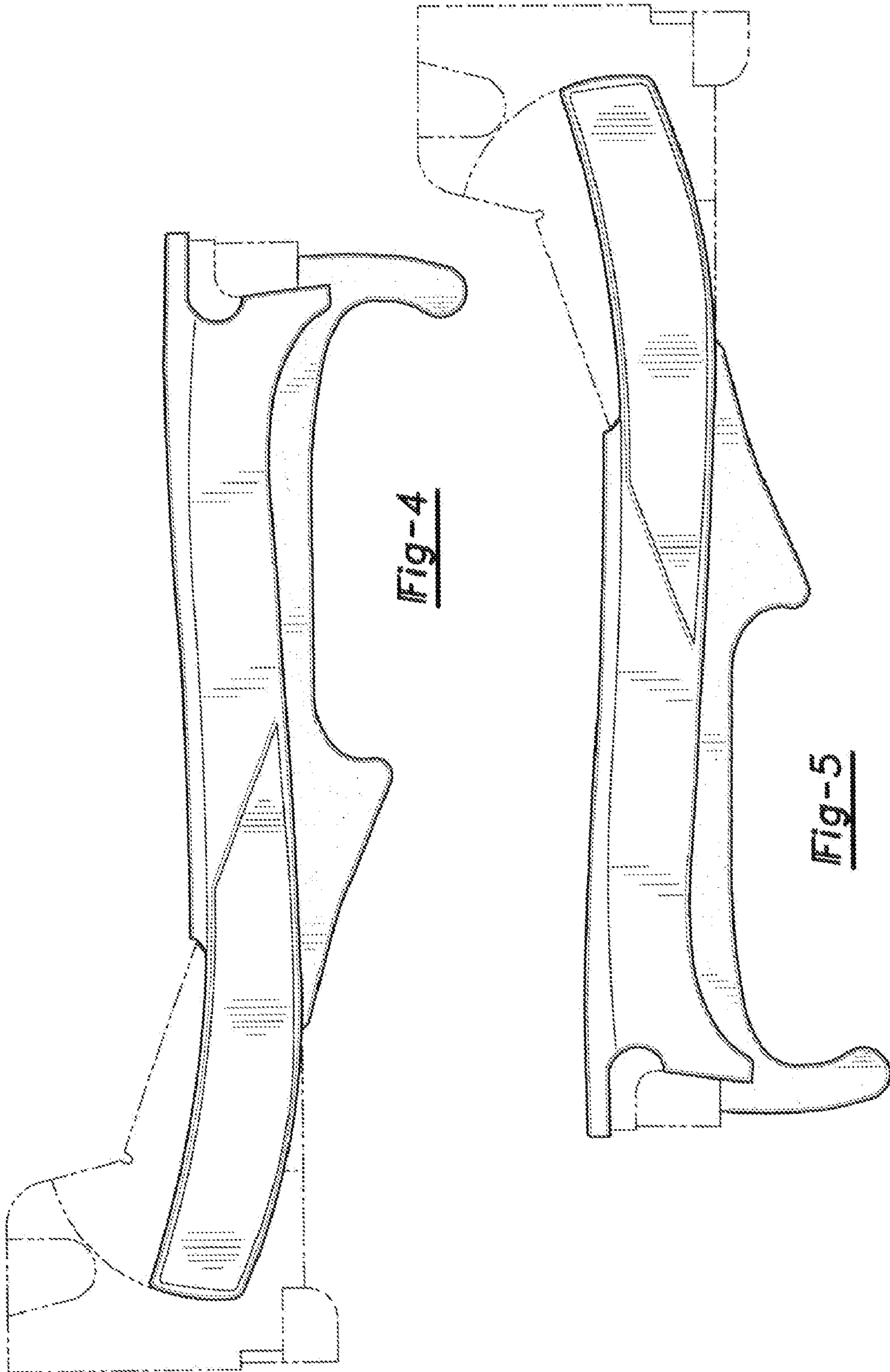


Fig-3



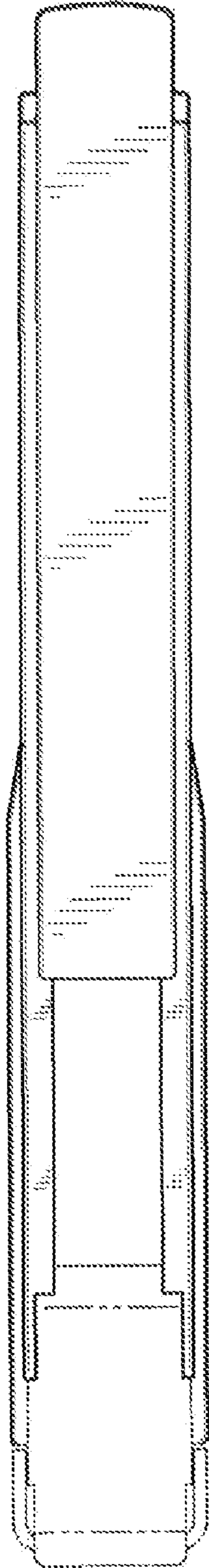


Fig-6

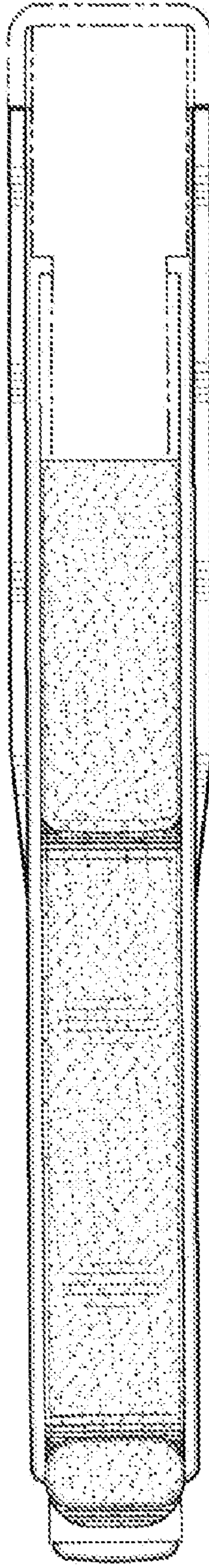


Fig-7