



US00D561549S

(12) **United States Design Patent**
Hughett

(10) **Patent No.:** **US D561,549 S**
(45) **Date of Patent:** **** Feb. 12, 2008**

(54) **TROWEL**
(75) Inventor: **Rick Hughett**, Oneida, TN (US)
(73) Assignee: **Para-Chem**, Simpsonville, SC (US)
(**) Term: **14 Years**

5,839,152 A 11/1998 Kruskamp
6,178,586 B1 * 1/2001 Jafarmadar 15/235.6
6,205,610 B1 3/2001 Westthorp
D472,787 S * 4/2003 Kyte D8/107
D516,887 S 3/2006 Miller
7,013,524 B1 3/2006 McIlree, Sr.
D529,351 S 10/2006 Friz
2006/0168753 A1 8/2006 Crisswell

(21) Appl. No.: **29/271,119**

* cited by examiner

(22) Filed: **Jan. 10, 2007**

Primary Examiner—Philip S. Hyder
(74) *Attorney, Agent, or Firm*—Dority & Manning, P.A.

(51) **LOC (8) Cl.** **08-05**

(52) **U.S. Cl.** **D8/45**

(58) **Field of Classification Search** D8/14,
D8/19, 45; 15/235.6, 235.4, 236.08, 236.06,
15/245.1

See application file for complete search history.

(57) **CLAIM**

The ornamental design for a trowel, as shown and described.

(56) **References Cited**

DESCRIPTION

U.S. PATENT DOCUMENTS

2,253,116 A * 8/1941 Findlay 172/13
2,395,186 A 2/1946 Jones
2,828,619 A 4/1958 Williams
3,023,444 A * 3/1962 Tims, Jr. 15/235.6
3,166,776 A 1/1965 Selck
5,231,729 A 8/1993 Rose
5,479,675 A 1/1996 Pytlewski

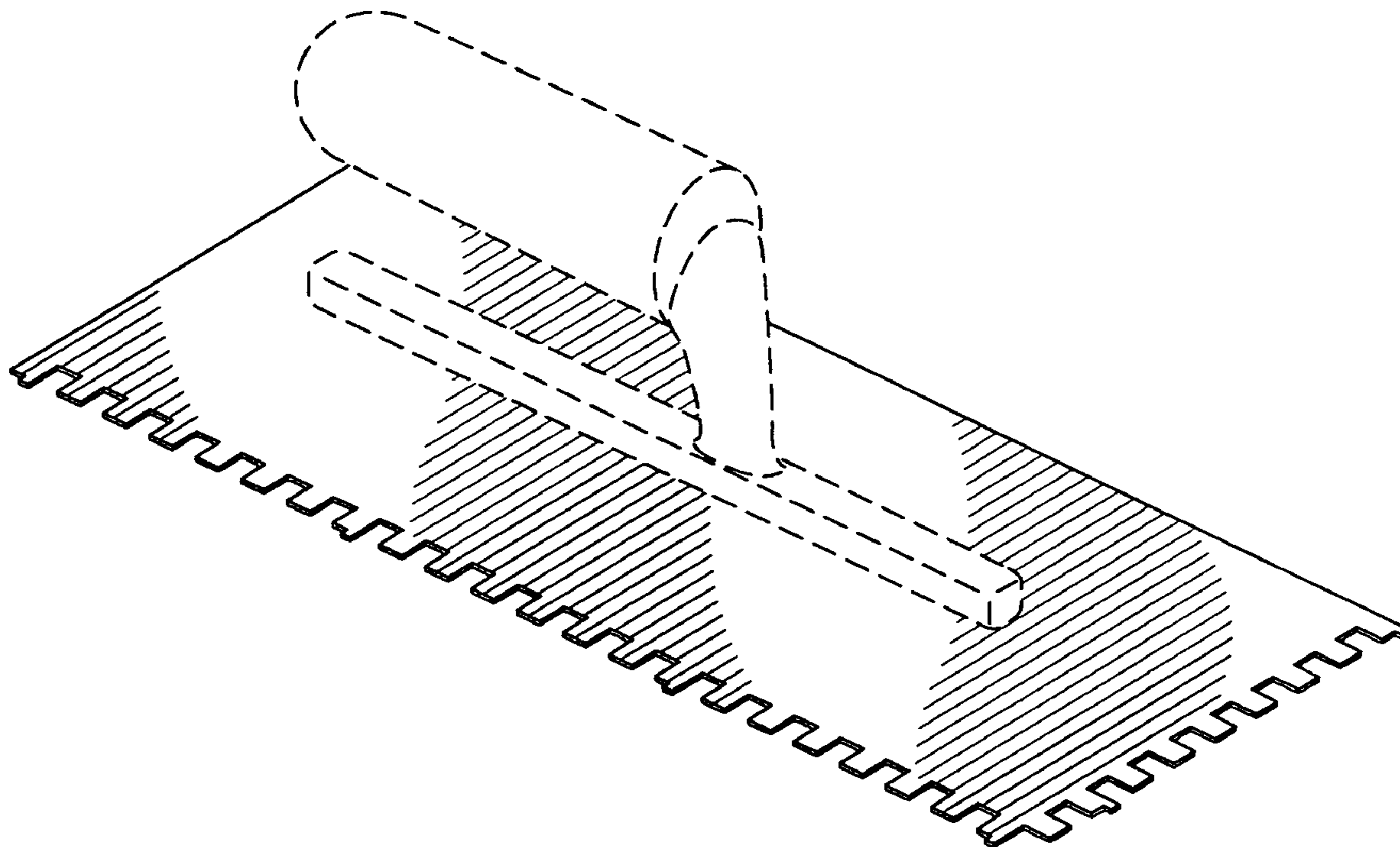
FIG. 1 is a perspective view of a trowel according to the present design;

FIG. 2 is a top plan view thereof; and,

FIG. 3 is a bottom plan view thereof.

The broken line showing of the handle assembly is included for the purpose of illustrating environmental structure and forms no part of the claimed design.

1 Claim, 2 Drawing Sheets



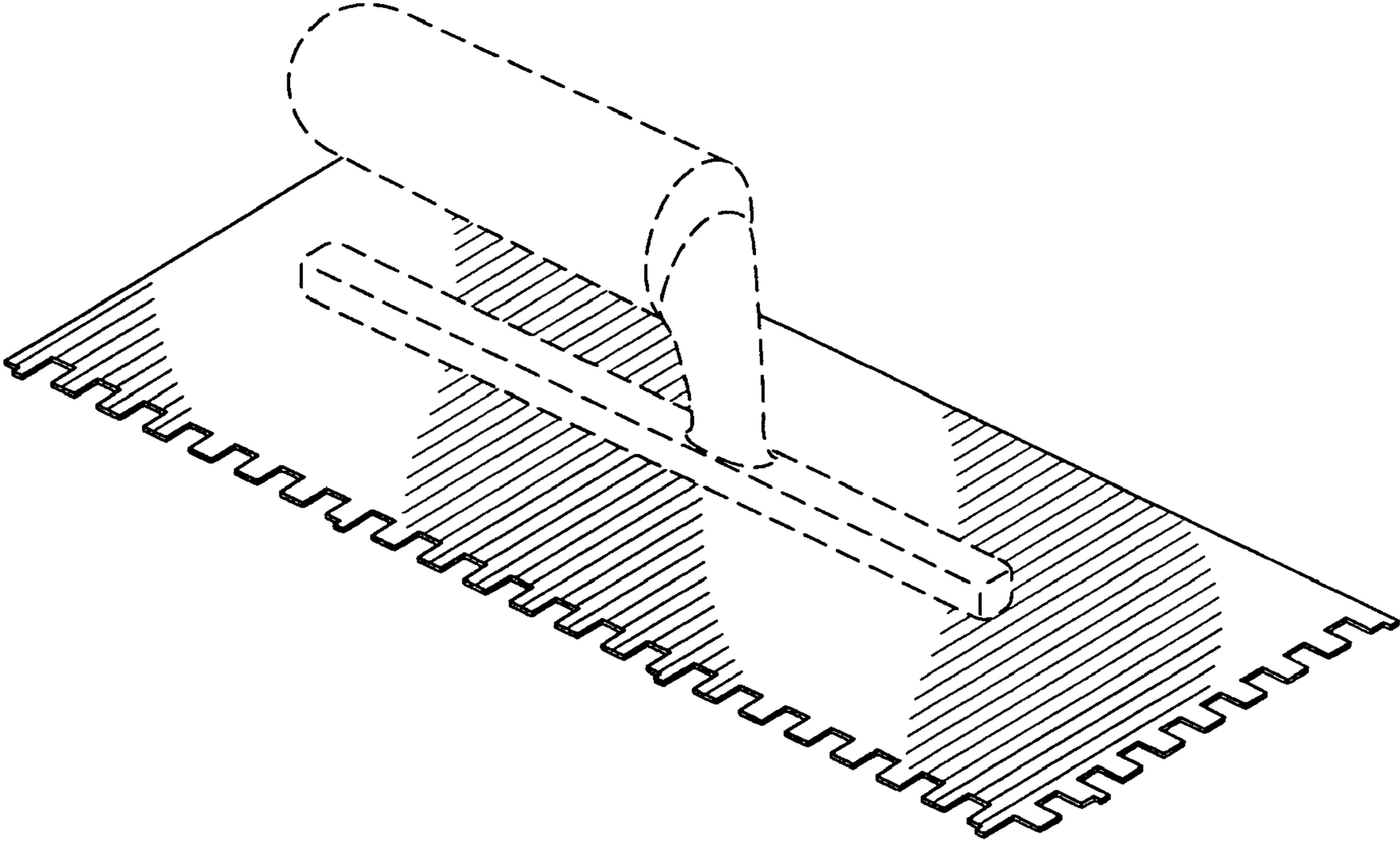


Fig. 1

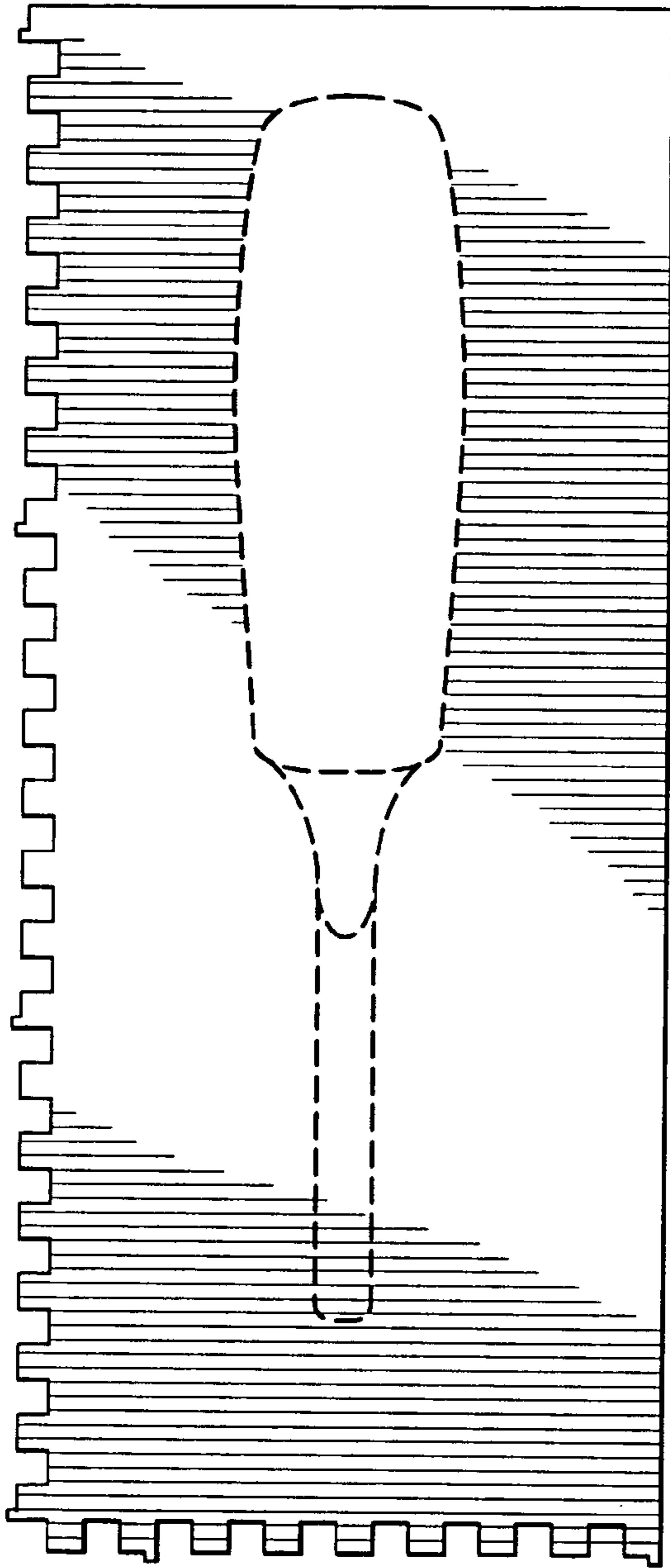


Fig. 2

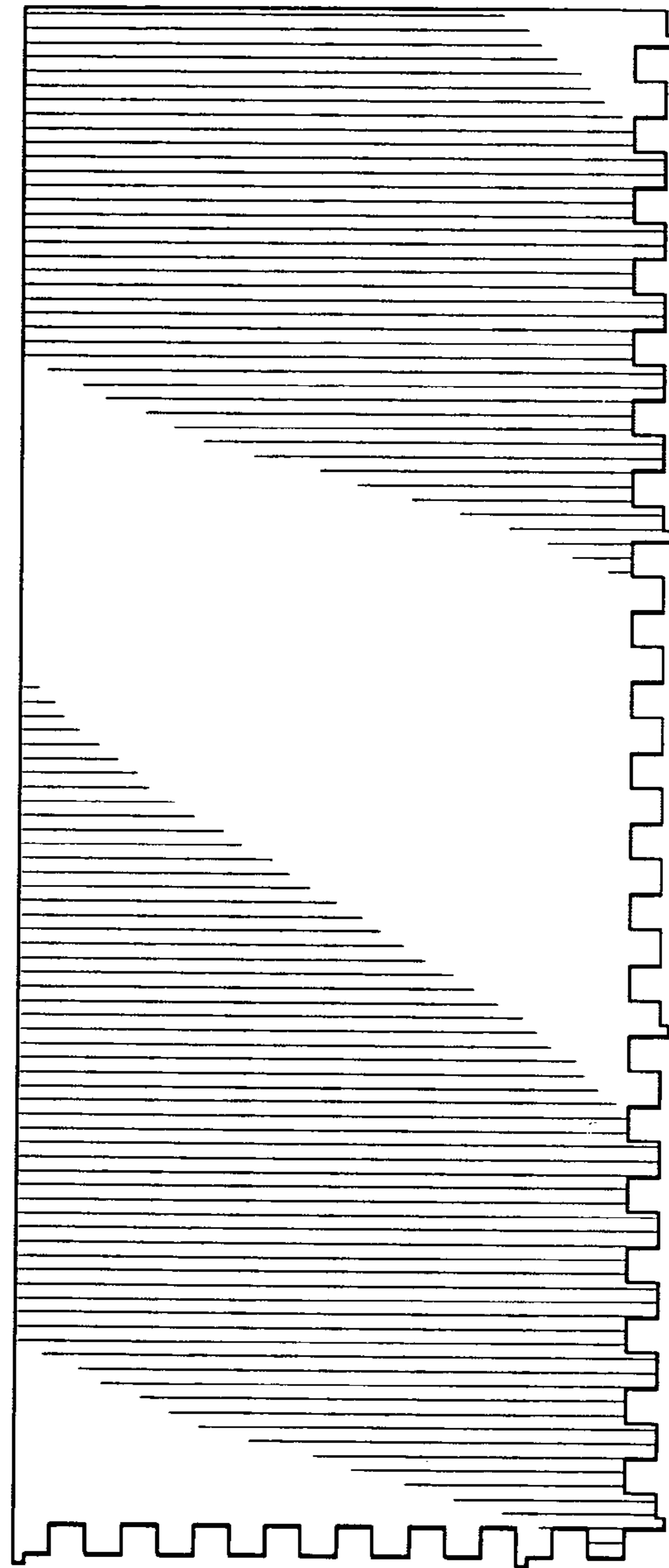


Fig. 3