



US00D561548S

(12) **United States Design Patent**  
**Martin**

(10) **Patent No.:** **US D561,548 S**

(45) **Date of Patent:** **\*\* Feb. 12, 2008**

(54) **TROWEL**

(76) Inventor: **John Martin**, 963 Turtle Crest Dr.,  
Irvine, CA (US) 92603

(\*\*) Term: **14 Years**

(21) Appl. No.: **29/245,435**

(22) Filed: **Dec. 20, 2005**

(51) **LOC (8) Cl.** ..... **08-05**

(52) **U.S. Cl.** ..... **D8/45**

(58) **Field of Classification Search** ..... D8/14,  
D8/45, 107; 15/235.4, 235.5, 235.6, 236.08,  
15/236.06, 236.01; 30/169

See application file for complete search history.

(56) **References Cited**

**U.S. PATENT DOCUMENTS**

3,346,905	A *	10/1967	Scarpelli	.....	15/235.6
D216,668	S *	3/1970	Tims, Jr.	.....	D8/45
4,467,492	A *	8/1984	Harrington	.....	15/235.4
4,724,572	A *	2/1988	Gringer	.....	15/235.4
4,817,231	A *	4/1989	Ocwieja	.....	15/235.4
4,958,399	A *	9/1990	Toal et al.	.....	15/245.1
5,231,729	A *	8/1993	Rose	.....	15/235.4
5,479,675	A *	1/1996	Pytlewski	.....	15/235.4
5,713,096	A *	2/1998	Kelsay et al.	.....	15/235.4
6,178,586	B1 *	1/2001	Jafarmadar	.....	15/235.6
6,205,610	B1 *	3/2001	Westthorp	.....	15/235.4

6,247,204	B1 *	6/2001	Hamby et al.	.....	16/436
D516,887	S *	3/2006	Miller	.....	D8/45
D519,012	S *	4/2006	Miller	.....	D8/45

\* cited by examiner

*Primary Examiner*—Philip S. Hyder

(74) *Attorney, Agent, or Firm*—Kelly Lowry & Kelley LLP

(57) **CLAIM**

The ornamental design for a trowel, as shown.

**DESCRIPTION**

FIG. 1 is a front, top and right side perspective view of a trowel embodying my new design;

FIG. 2 is a front elevational view thereof;

FIG. 3 is a rear elevational view thereof;

FIG. 4 is a right side elevational view thereof;

FIG. 5 is a left side elevational view thereof;

FIG. 6 is a top plan view thereof;

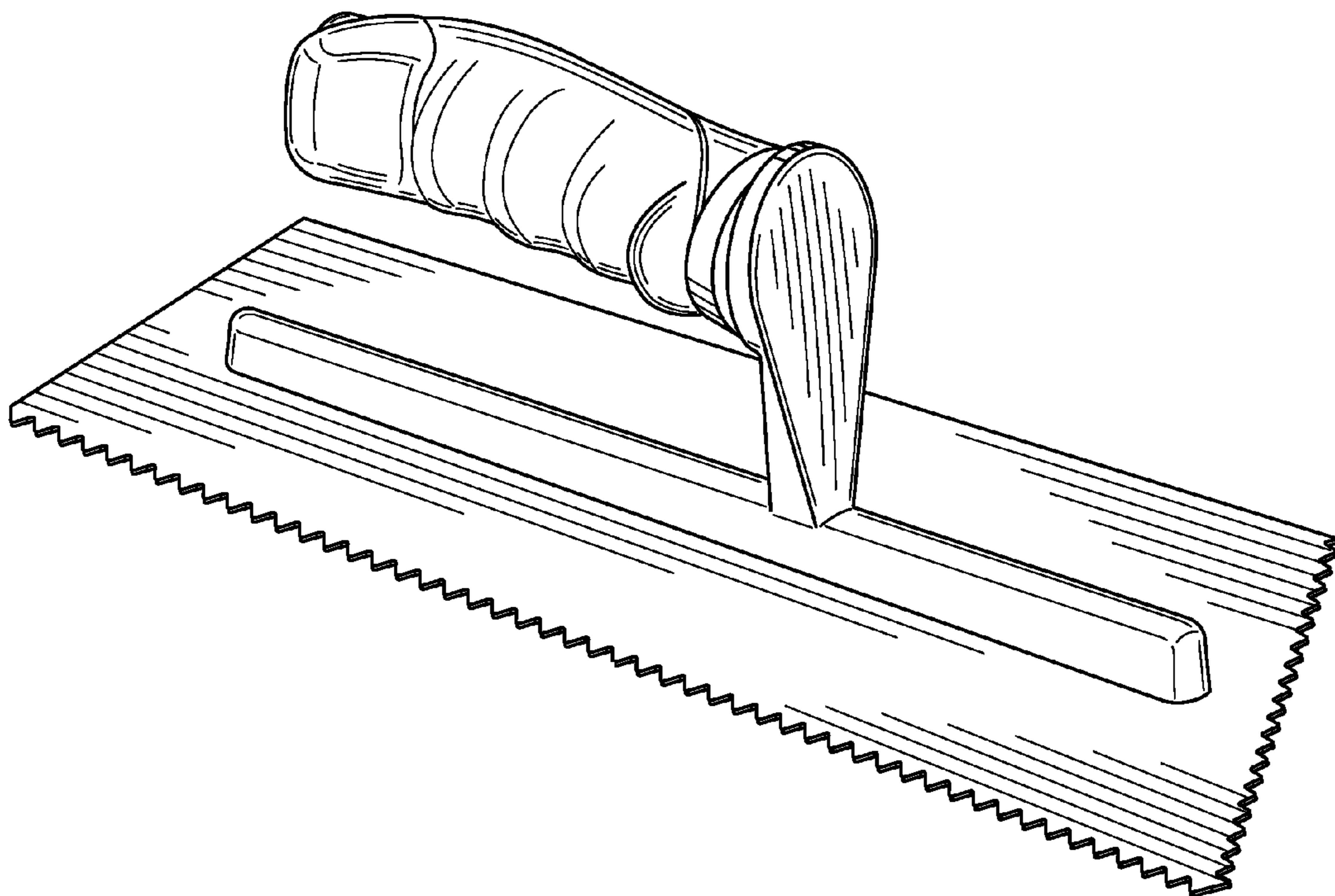
FIG. 7 is a bottom plan view thereof;

FIG. 8 is a top plan view of a modified embodiment of the trowel;

FIG. 9 is a right side elevation view of the trowel of FIG. 8; and,

FIG. 10 is a left side elevation view of the trowel of FIG. 8.

**1 Claim, 5 Drawing Sheets**



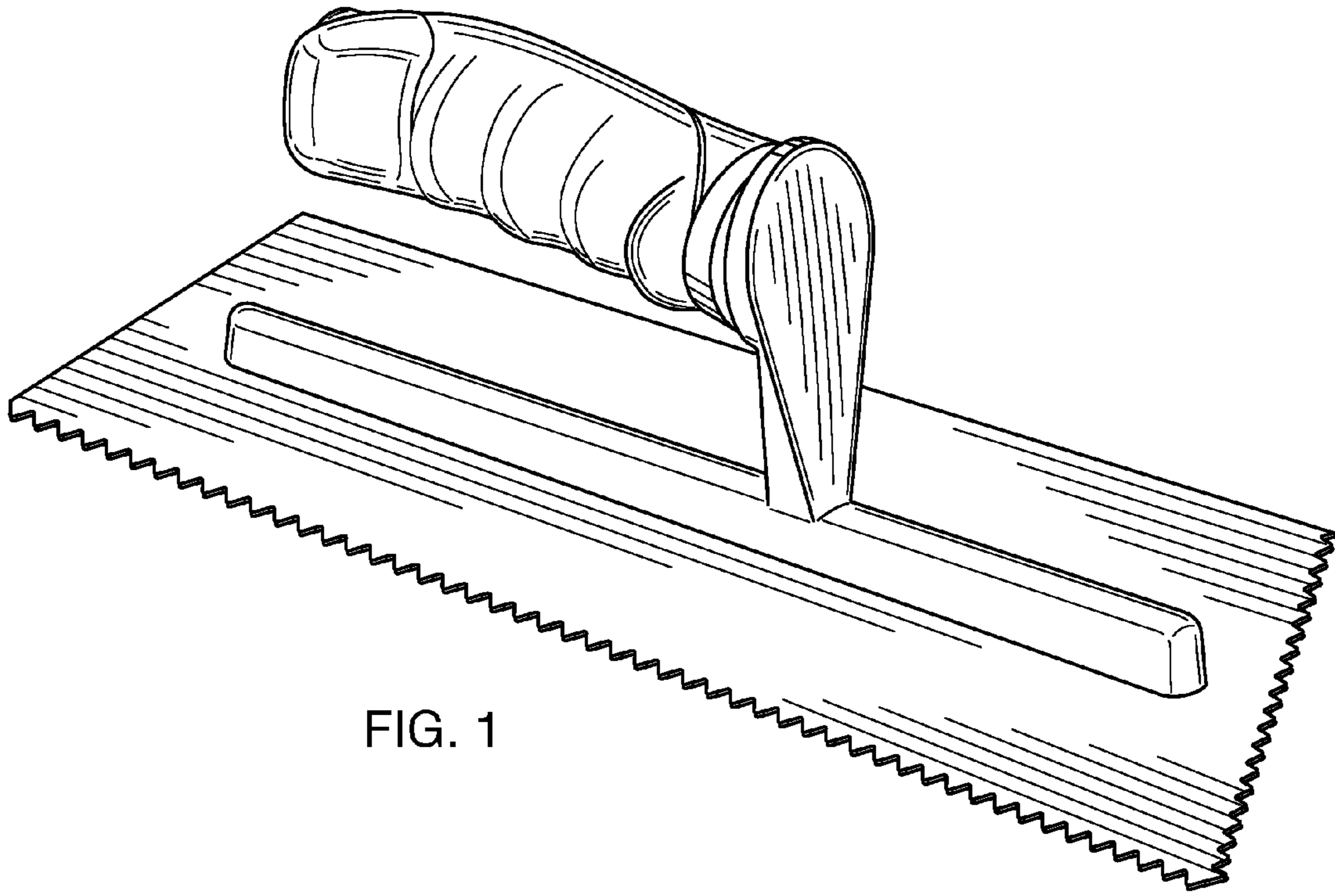


FIG. 1

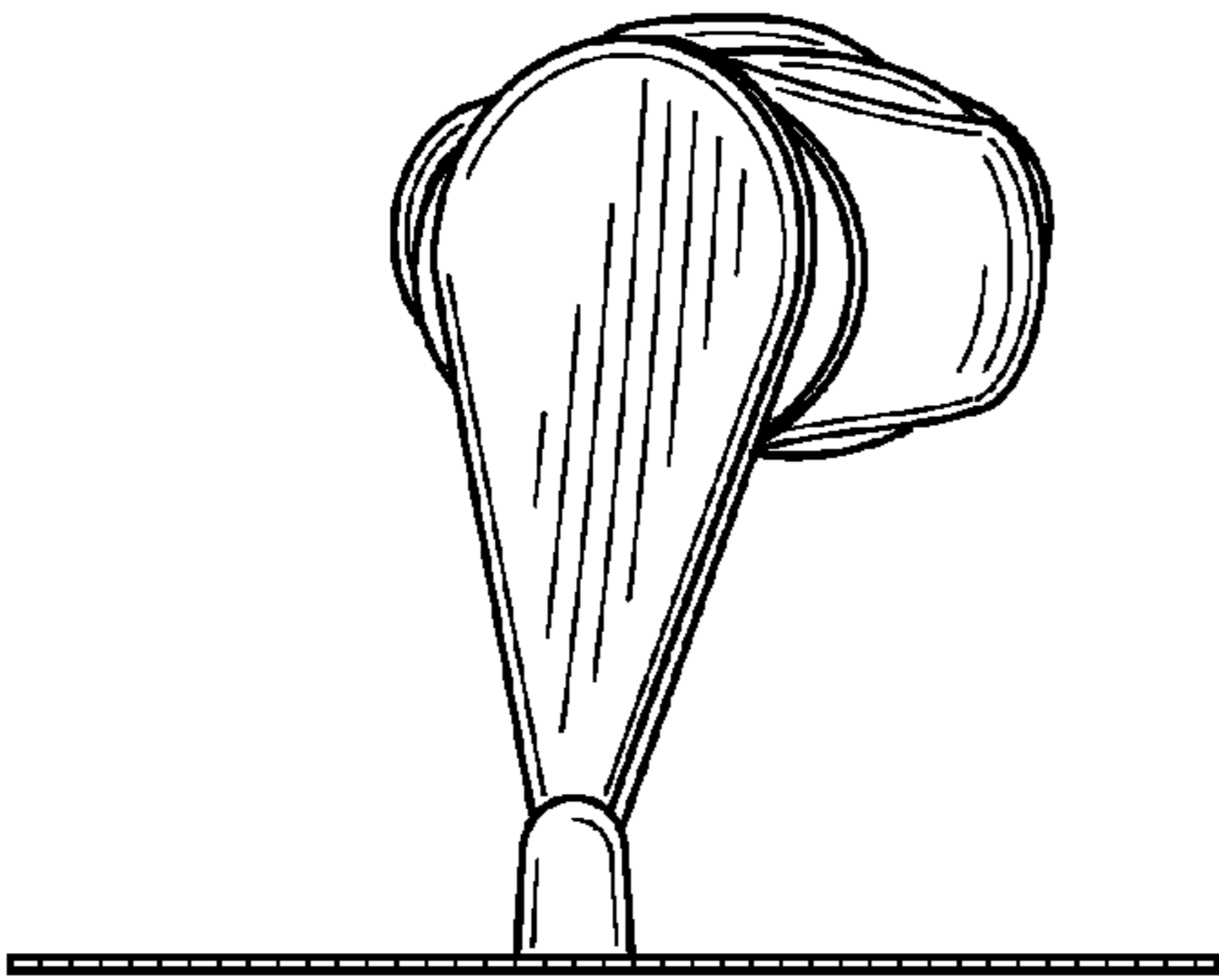


FIG. 2

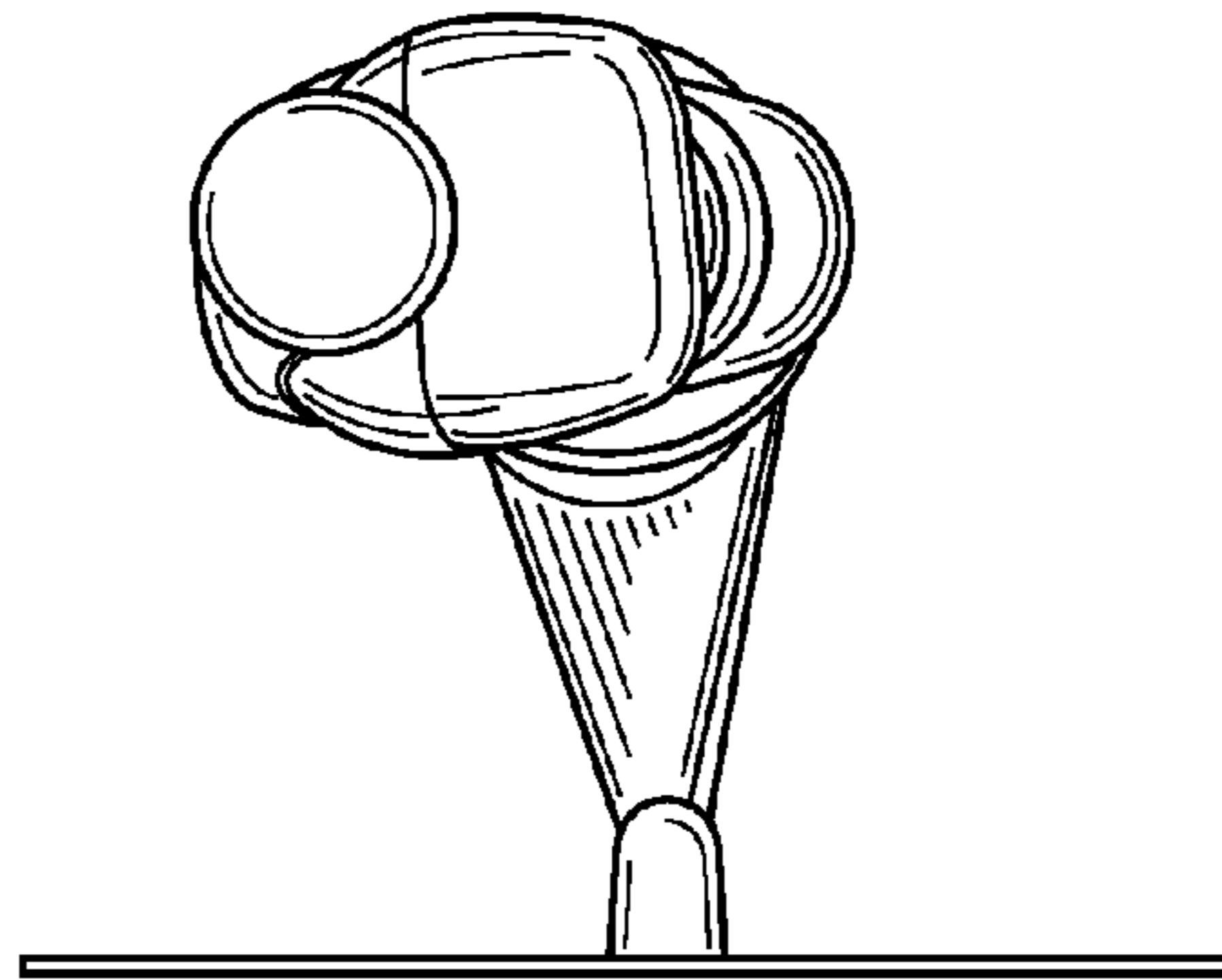


FIG. 3

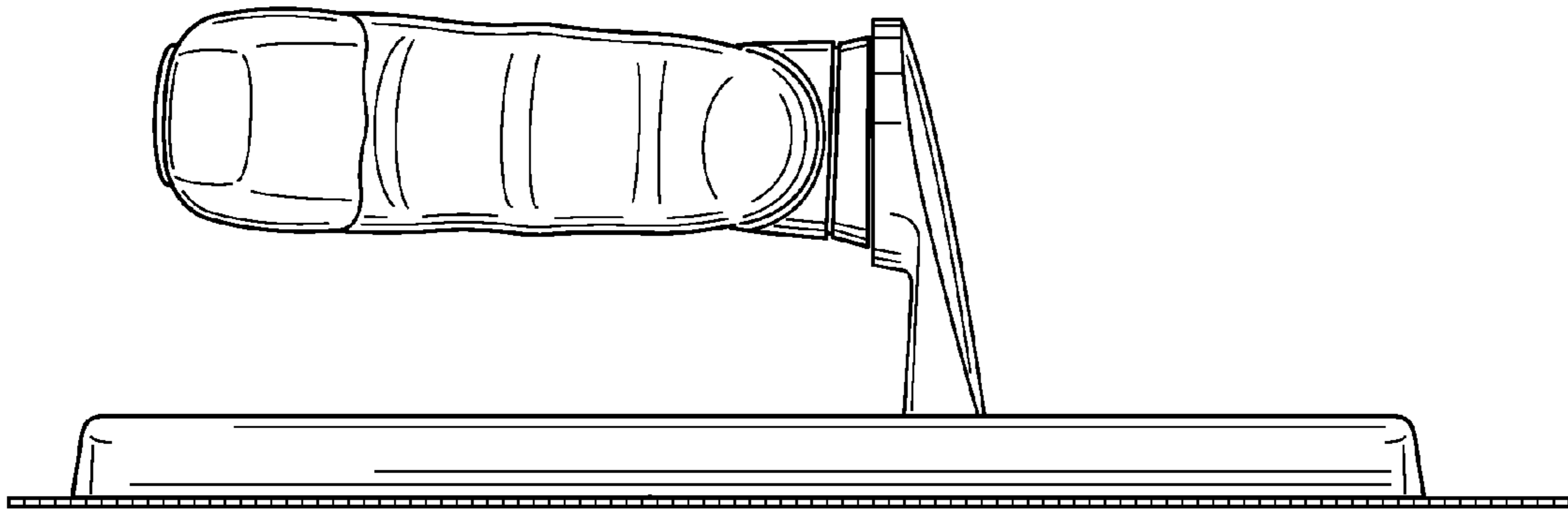


FIG. 4

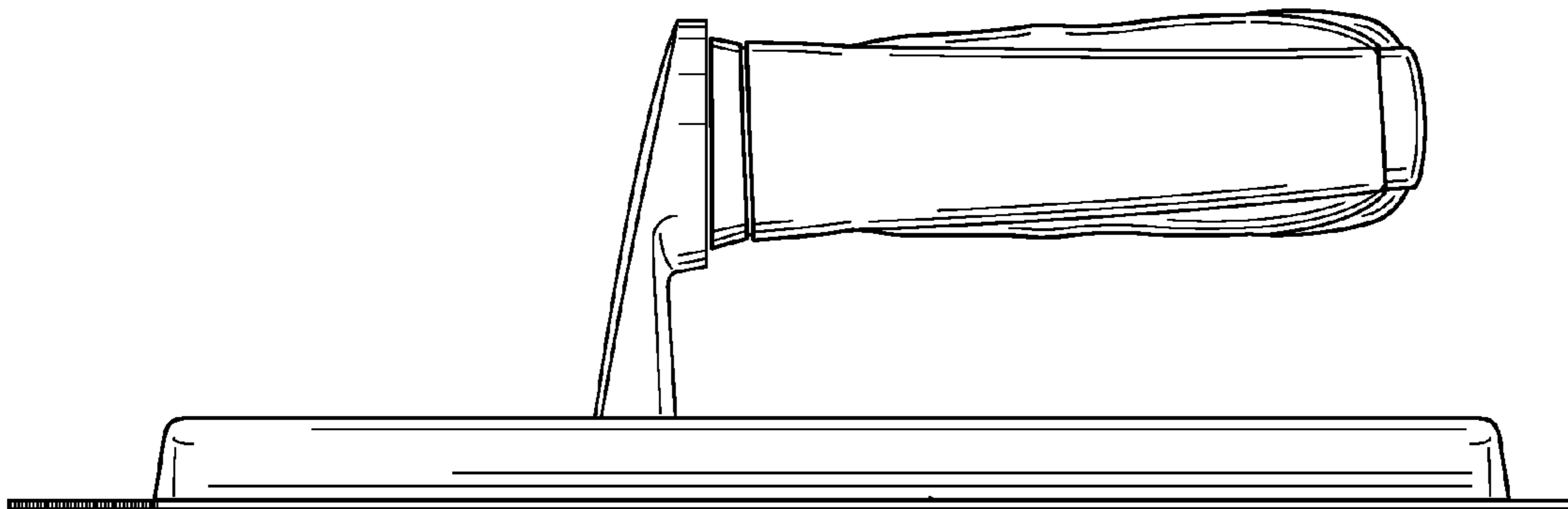


FIG. 5

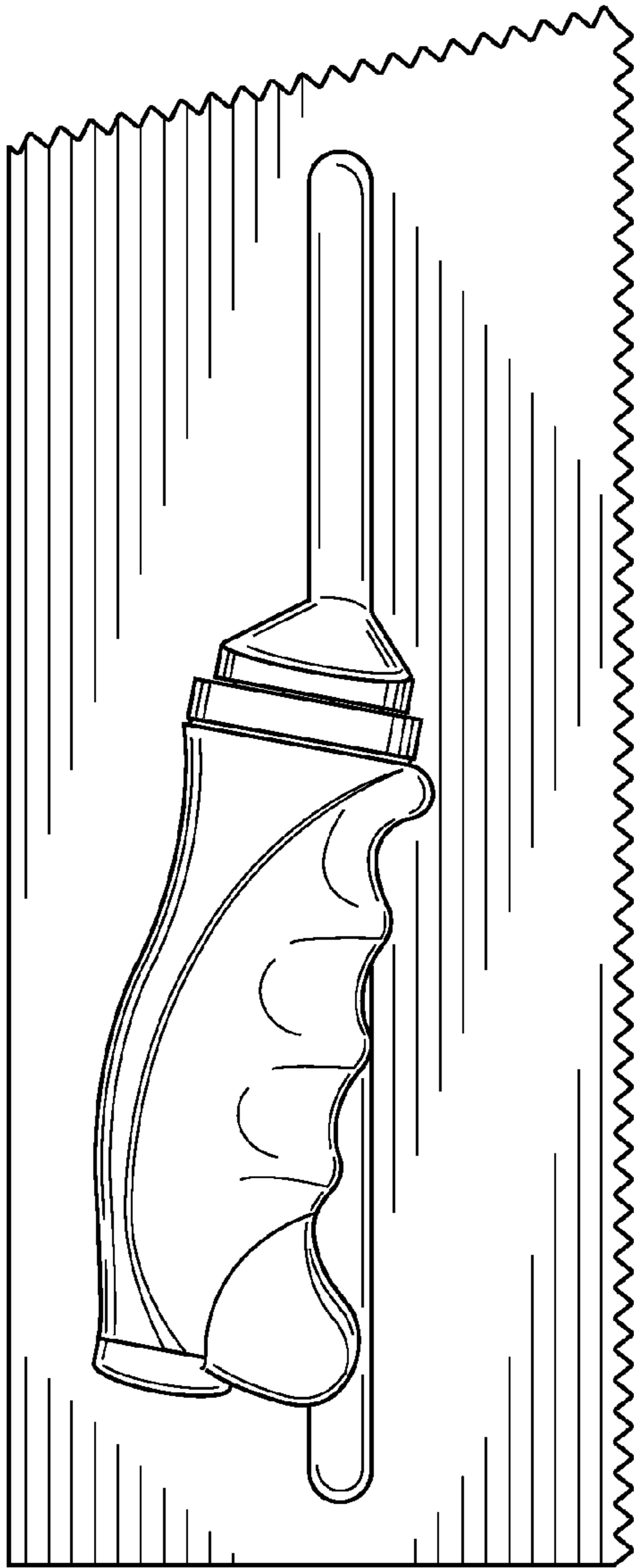


FIG. 6

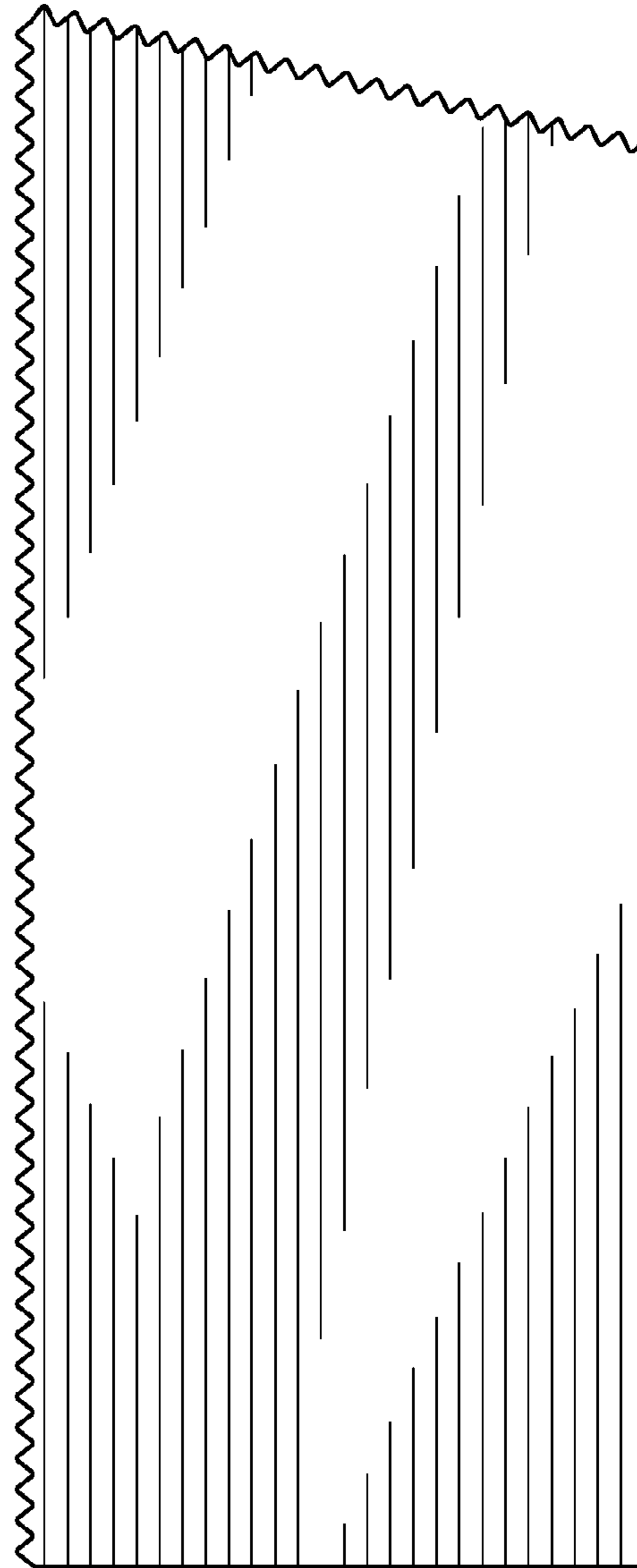


FIG. 7

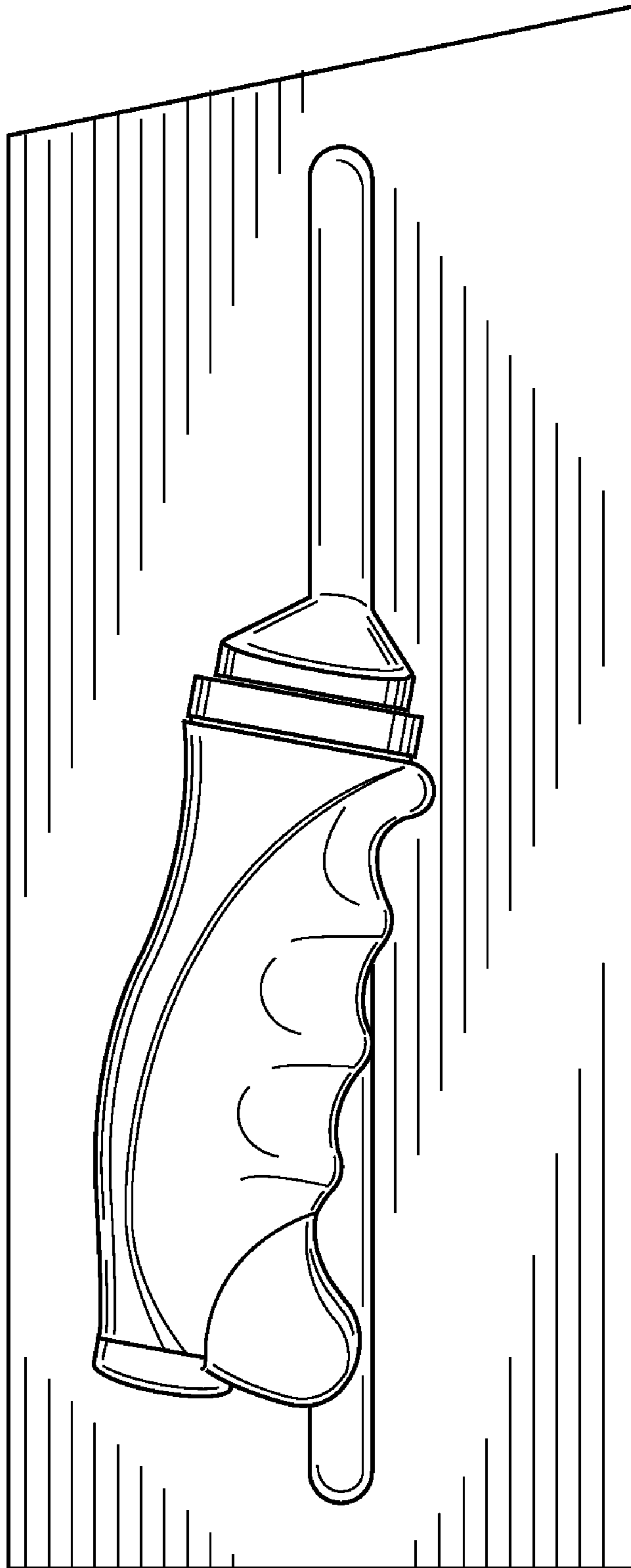


FIG. 8

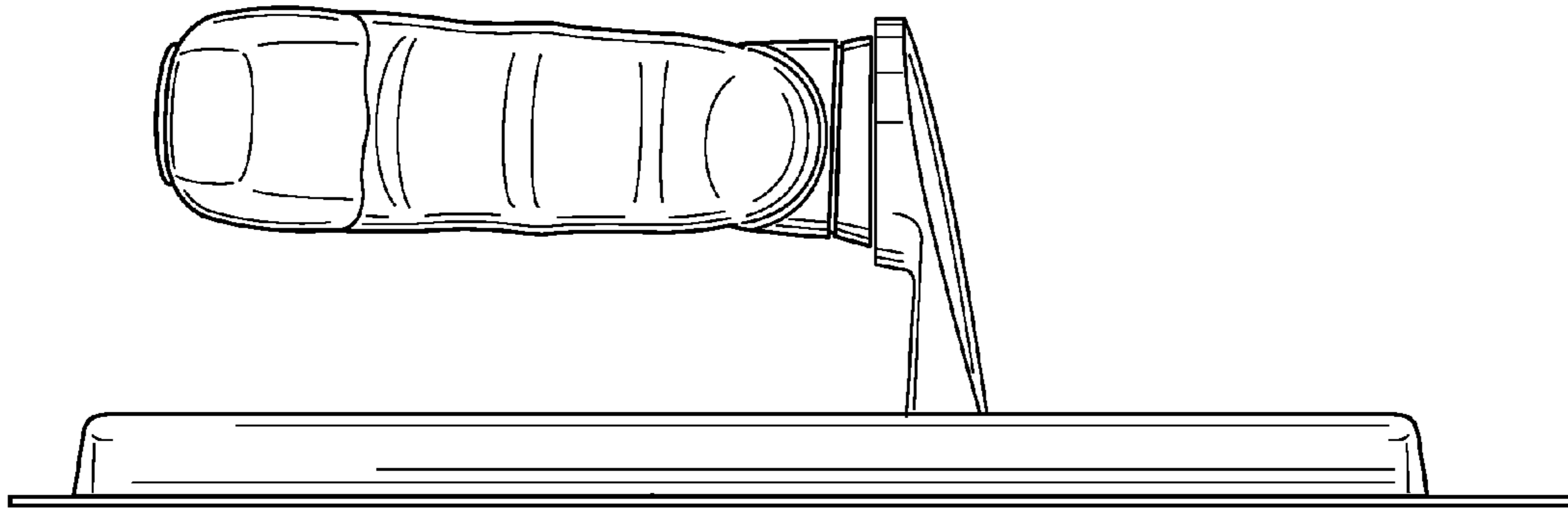


FIG. 9

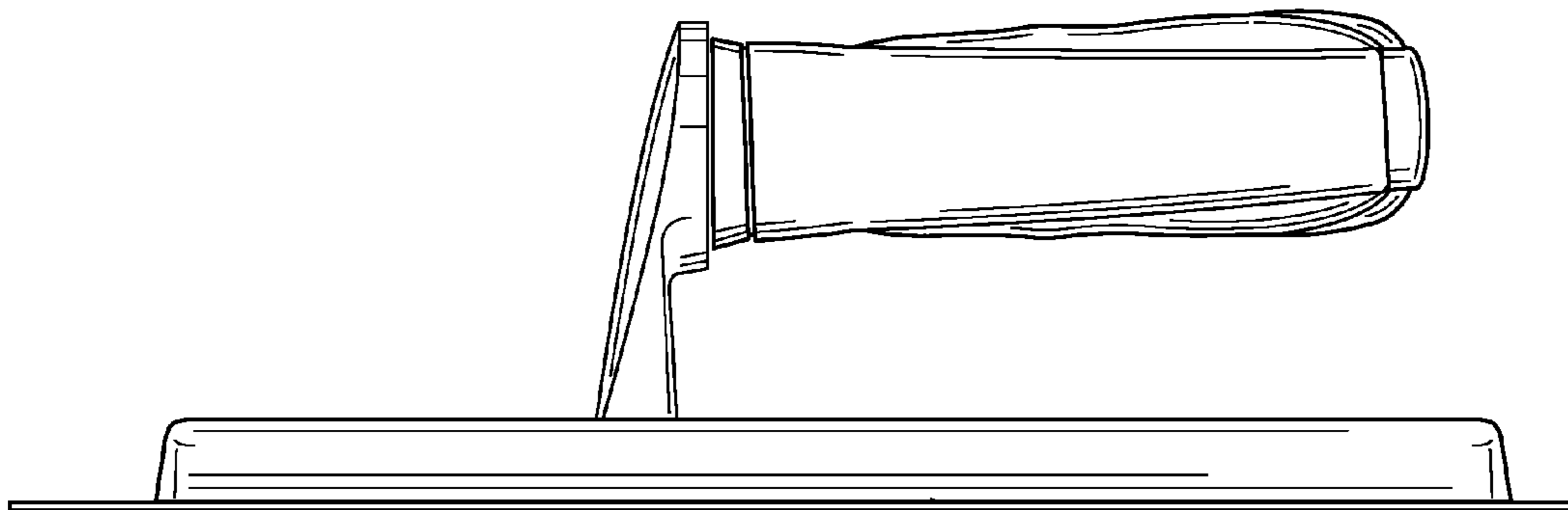


FIG. 10