

US00D561546S

(12) **United States Design Patent** (10) **Patent No.:** **US D561,546 S**  
**Wong et al.** (45) **Date of Patent:** **\*\* Feb. 12, 2008**

(54) **MOTORIZED JAR OPENER**

(75) Inventors: **David T. Wong**, Hong Kong (CN);  
**Vincent M. L. Ng**, Hong Kong (CN);  
**Francisco Javier Barquin Santillan**,  
Pembroke Pines, FL (US)

(73) Assignee: **Applica Consumer Products, Inc.**,  
Miramar, FL (US)

(\*\*) Term: **14 Years**

(21) Appl. No.: **29/250,807**

(22) Filed: **Dec. 1, 2006**

(51) **LOC (8) Cl.** ..... **07-99**

(52) **U.S. Cl.** ..... **D8/36**

(58) **Field of Classification Search** ..... D7/372,  
D7/414, 680; D8/14, 18, 33, 36, 38-41;  
7/151, 152, 154, 156; 30/400-405, 408,  
30/415-427, 433, 434; 81/3.07, 3.2, 3.31  
See application file for complete search history.

(56) **References Cited**

**U.S. PATENT DOCUMENTS**

731,034	A *	6/1903	Fretwell	.....	30/412
1,309,224	A *	7/1919	Sonnemann	.....	30/434
D315,657	S *	3/1991	Ruttimann	.....	D7/414
5,167,172	A *	12/1992	Heebner	.....	81/3.2
5,899,122	A *	5/1999	Court	.....	81/3.2
6,182,534	B1 *	2/2001	Hardman	.....	81/3.2
D484,015	S	12/2003	Johnson	.....	D8/33
6,862,954	B2	3/2005	Dubois et al.	.....	81/3.2

7,024,965	B2 *	4/2006	Tremblay	.....	81/3.2
2003/0070510	A1 *	4/2003	Tremblay	.....	81/3.2
2006/0032336	A1 *	2/2006	Wu et al.	.....	81/3.2

\* cited by examiner

*Primary Examiner*—Robert M. Spear  
*Assistant Examiner*—Garth Rademaker  
(74) *Attorney, Agent, or Firm*—Baker Botts L.L.P.

(57) **CLAIM**

The ornamental design for a motorized jar opener, as shown and described.

**DESCRIPTION**

FIG. 1 shows a perspective view of a motorized jar opener, showing our new design;

FIG. 2 shows the front view of the motorized jar opener shown in FIG. 1;

FIG. 3 shows the left side of the motorized jar opener shown in FIG. 1;

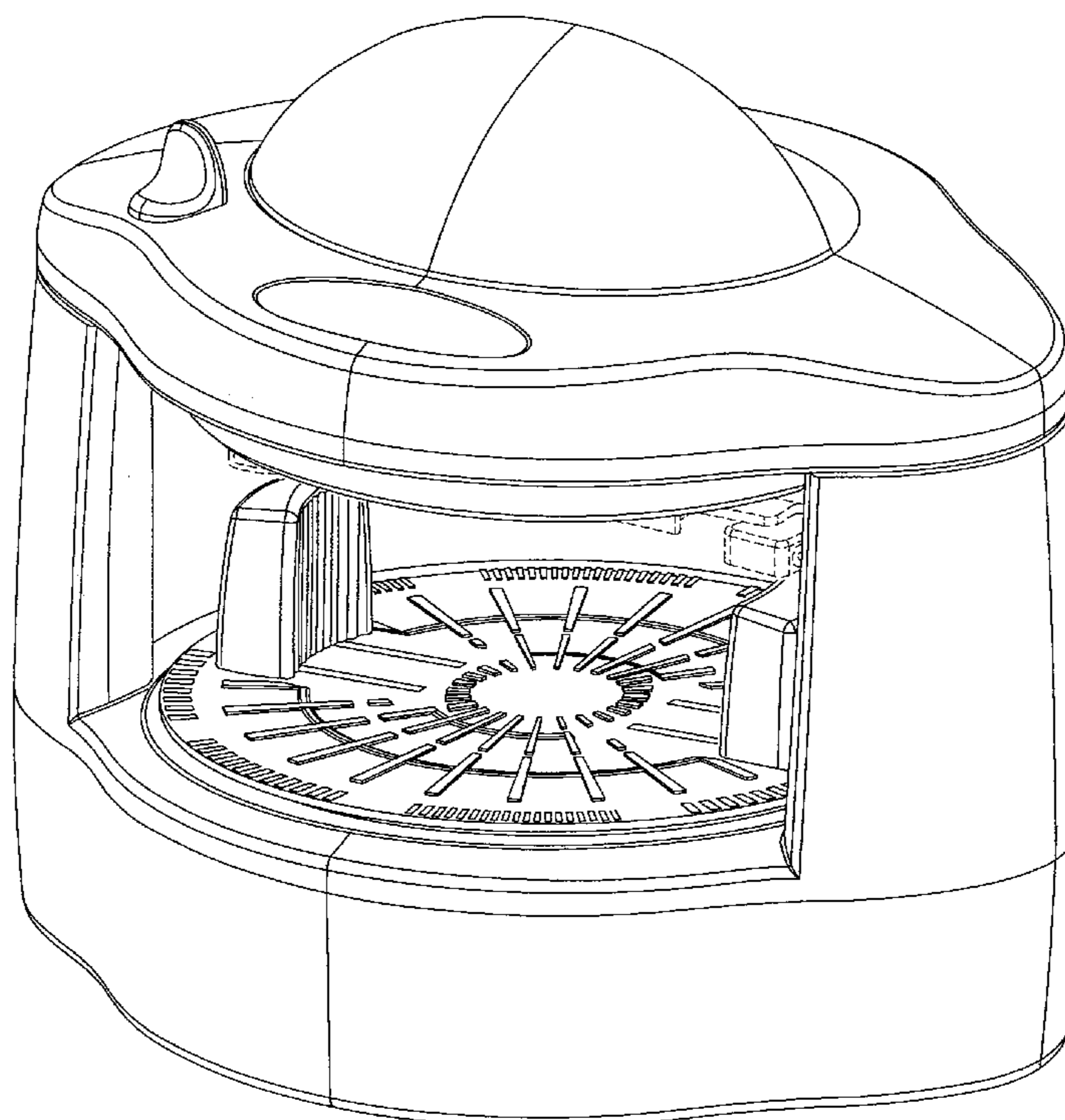
FIG. 4 shows the right side of the motorized jar opener shown in FIG. 1;

FIG. 5 shows the top view of the motorized jar opener shown in FIG. 1; and,

FIG. 6 shows the bottom view side of the motorized jar opener shown in FIG. 1.

The broken lines depict environmental subject matter only and form no part of the claimed design.

**1 Claim, 6 Drawing Sheets**



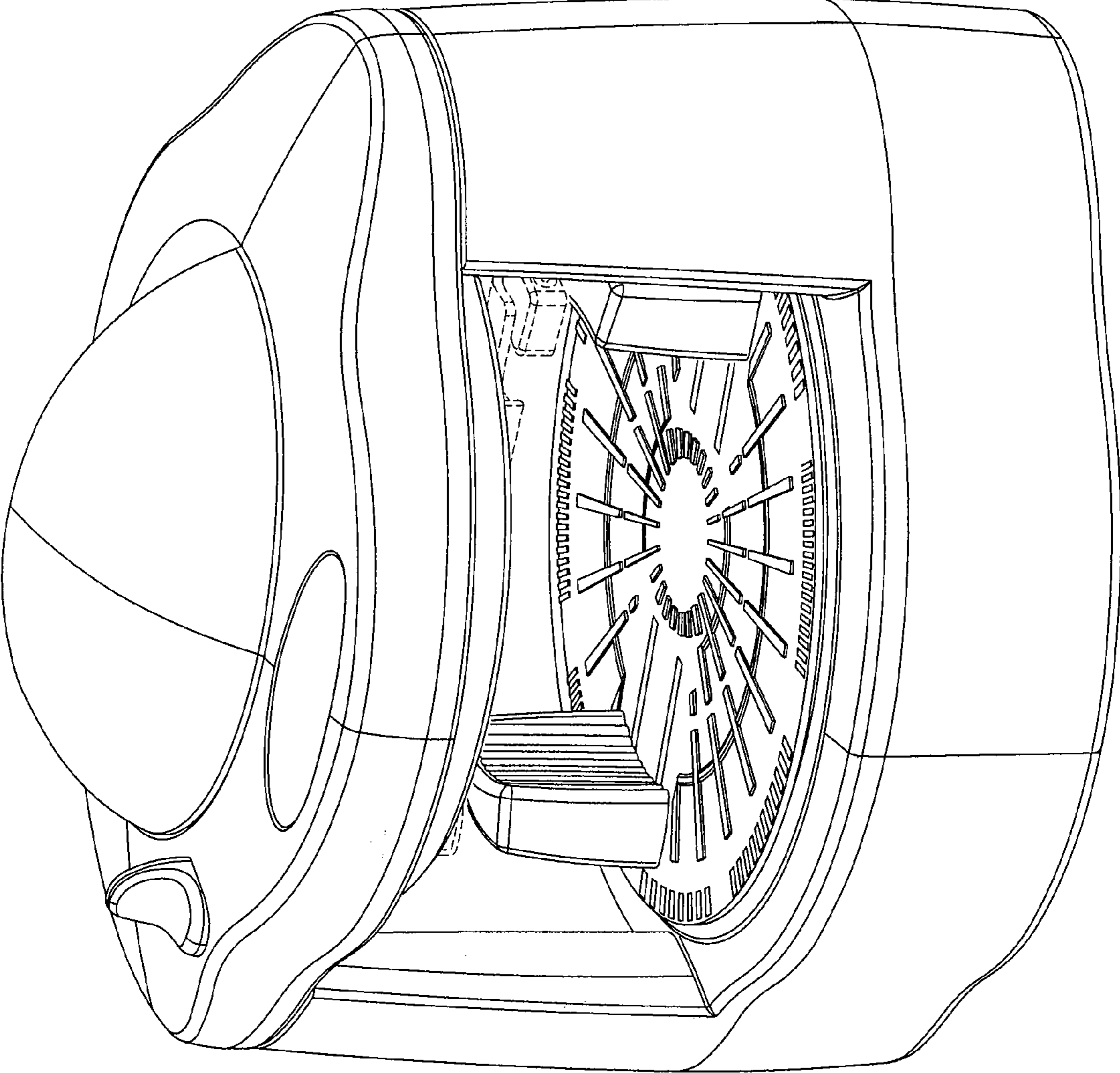


FIG. 1

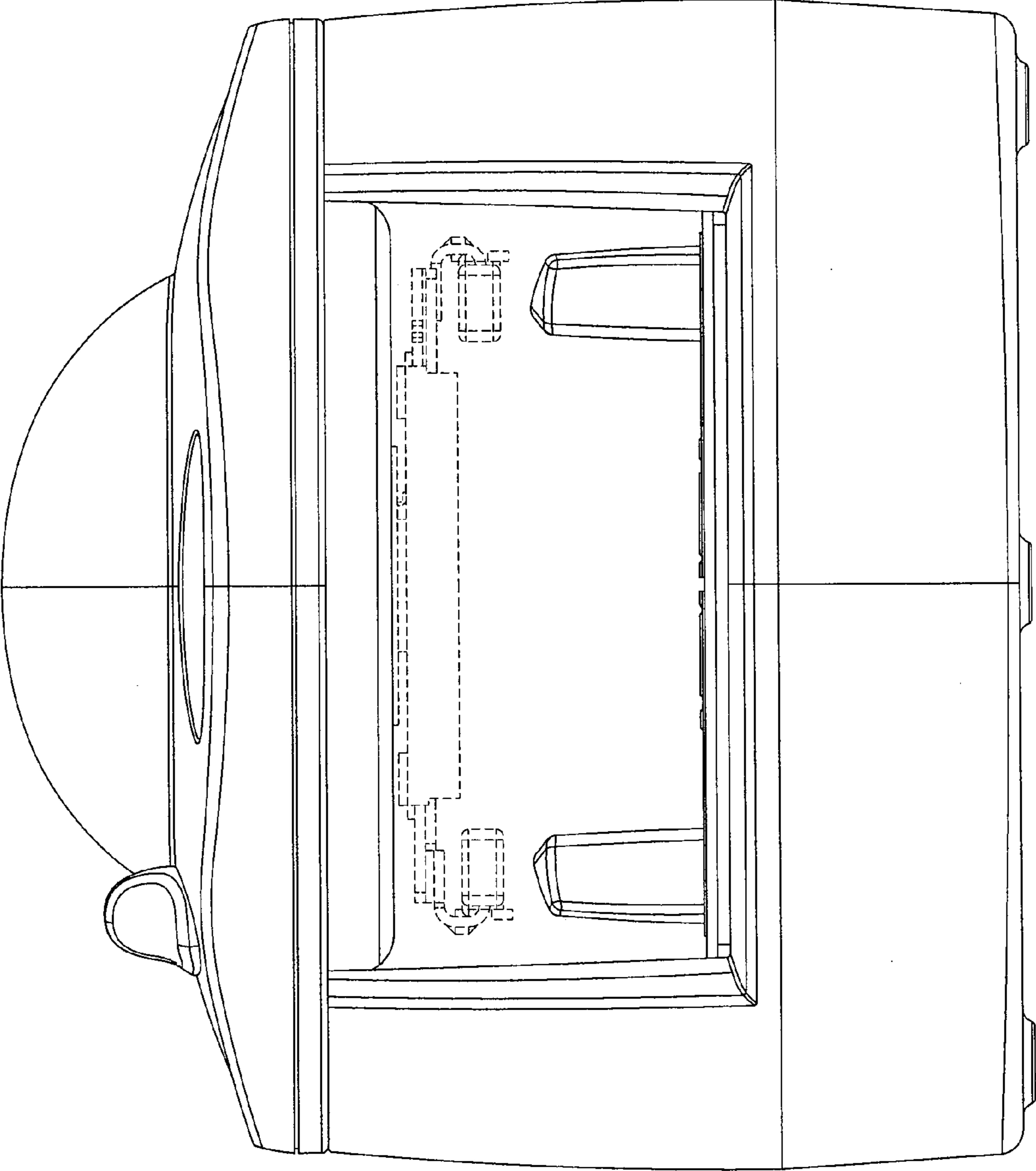


FIG. 2

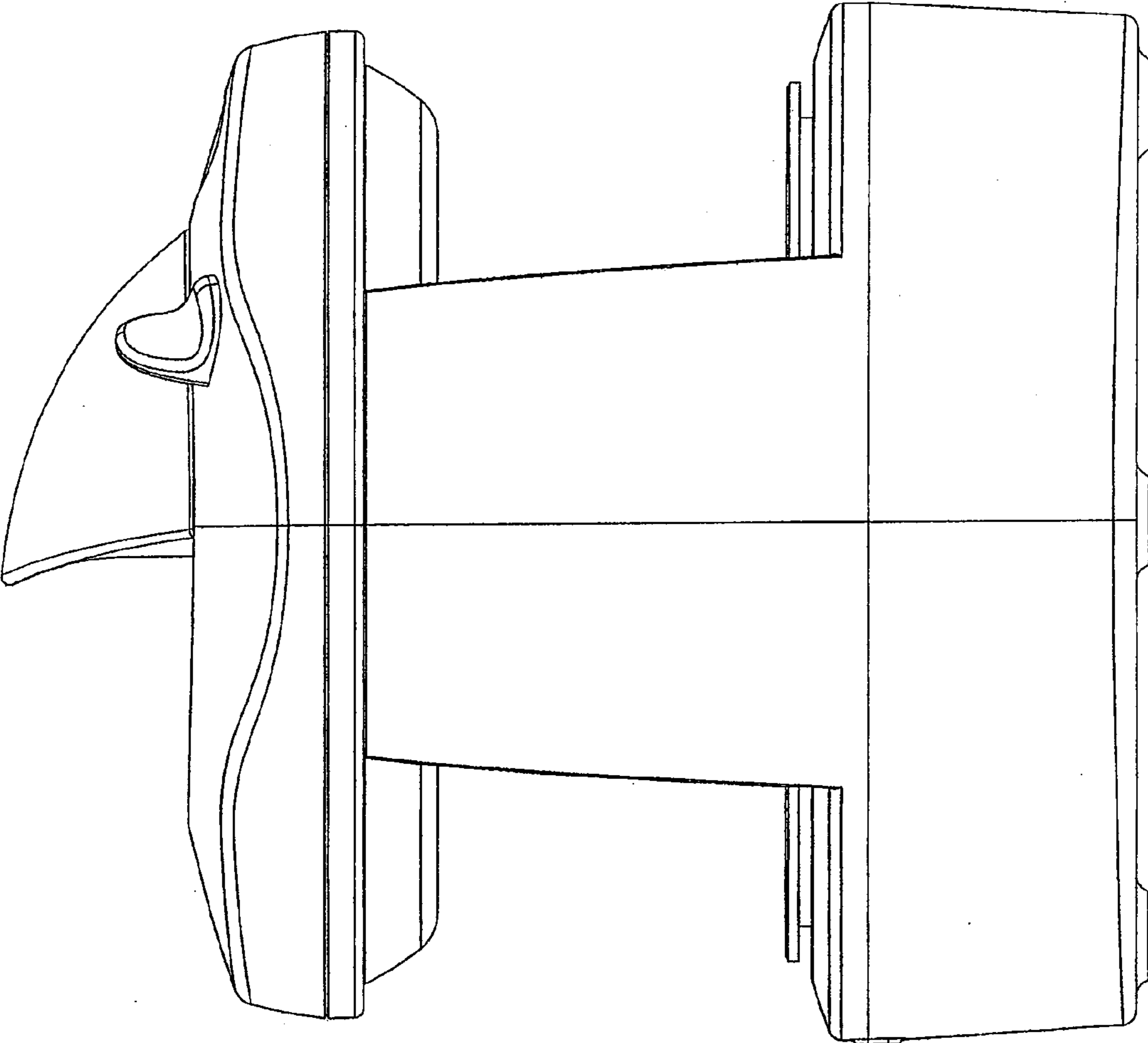


FIG. 3

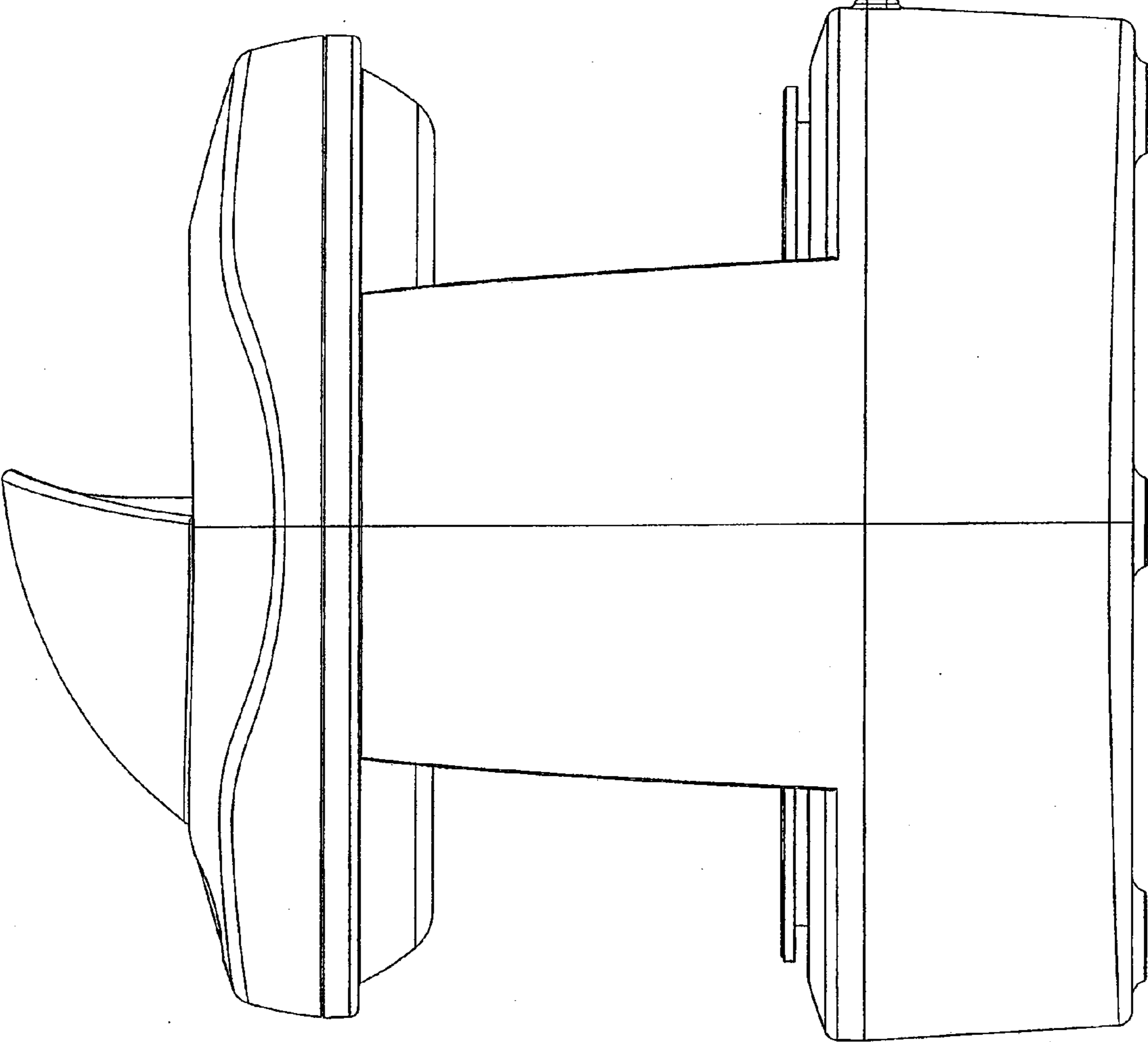


FIG. 4



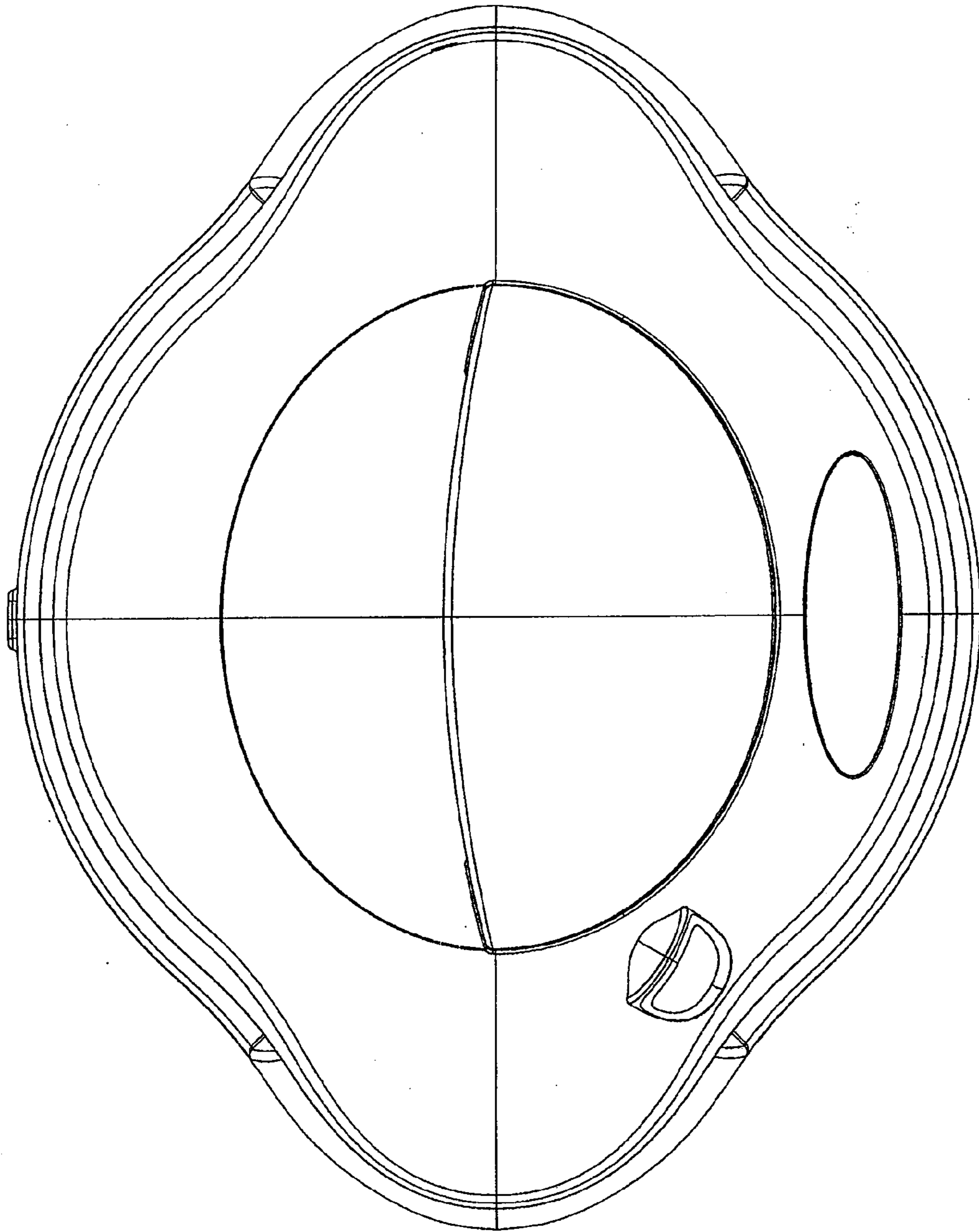


FIG. 5

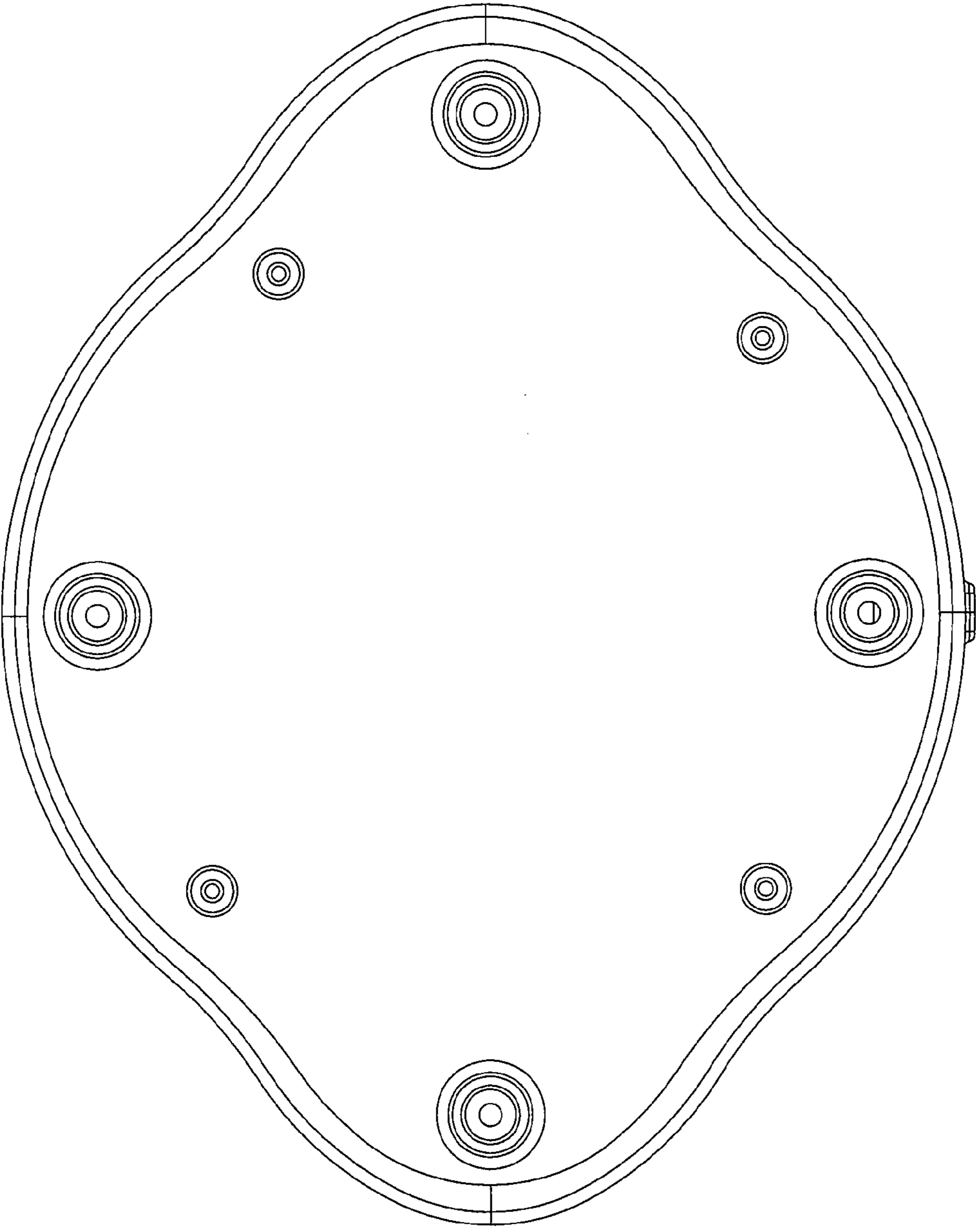


FIG. 6