



US00D561536S

(12) **United States Design Patent**  
**Virgilio**

(10) **Patent No.:** **US D561,536 S**

(45) **Date of Patent:** **\*\* Feb. 12, 2008**

(54) **CUP**  
(75) Inventor: **Antonio Virgilio**, Messina (IT)  
(73) Assignee: **Miscela d'Oro S.p.A.**, Messina (IT)  
(\*\*) Term: **14 Years**

D203,615 S \* 2/1966 Metzler et al. .... D7/622  
D207,786 S \* 5/1967 Benes ..... D7/536  
3,400,855 A \* 9/1968 Alexander ..... 220/719  
D219,048 S \* 10/1970 Gulotta ..... D7/536  
D247,277 S \* 2/1978 Refsgaard Andersen ..... D7/536  
D464,234 S \* 10/2002 Miller ..... D7/536  
D485,730 S \* 1/2004 Thun ..... D7/511  
D536,137 S \* 1/2007 Gill ..... D28/79

(21) Appl. No.: **29/248,863**  
(22) Filed: **Sep. 8, 2006**

\* cited by examiner

(30) **Foreign Application Priority Data**

*Primary Examiner*—Philip S. Hyder  
*Assistant Examiner*—Cynthia Underwood  
(74) *Attorney, Agent, or Firm*—Sughrue Mion, Pllc.

Mar. 9, 2006 (EM) ..... 492228

(51) **LOC (8) Cl.** ..... **07-01**

(57) **CLAIM**

(52) **U.S. Cl.** ..... **D7/536; D7/533; D7/509**

The ornamental design for a cup, as shown and described.

(58) **Field of Classification Search** ..... D7/319,

**DESCRIPTION**

D7/361, 396.2, 500, 509, 510, 513–515, 518,  
D7/521, 531–536, 538, 541, 545, 601, 613,  
D7/622; D3/271.6; D8/DIG. 9; D9/516,  
D9/555, 600, 636, 716, 718, 741, 751; D24/122;  
D25/7, 102, 104, 117, 130; D26/11; D34/7,  
D34/9; 206/520; 215/DIG. 7, 387; 220/DIG. 13,  
220/4.06, 4.24, 507, 516, 592.16, 592.17,  
220/669, 710.5; 229/400, 402  
See application file for complete search history.

FIG. 1 is a perspective view of the front right side of the cup showing my new design;

FIG. 2 is a front elevational view thereof the rear elevational view being a mirror image thereof;

FIG. 3 is a right side elevational view thereof;

FIG. 4 is a left side elevational view thereof;

FIG. 5 is a top elevational view thereof; and,

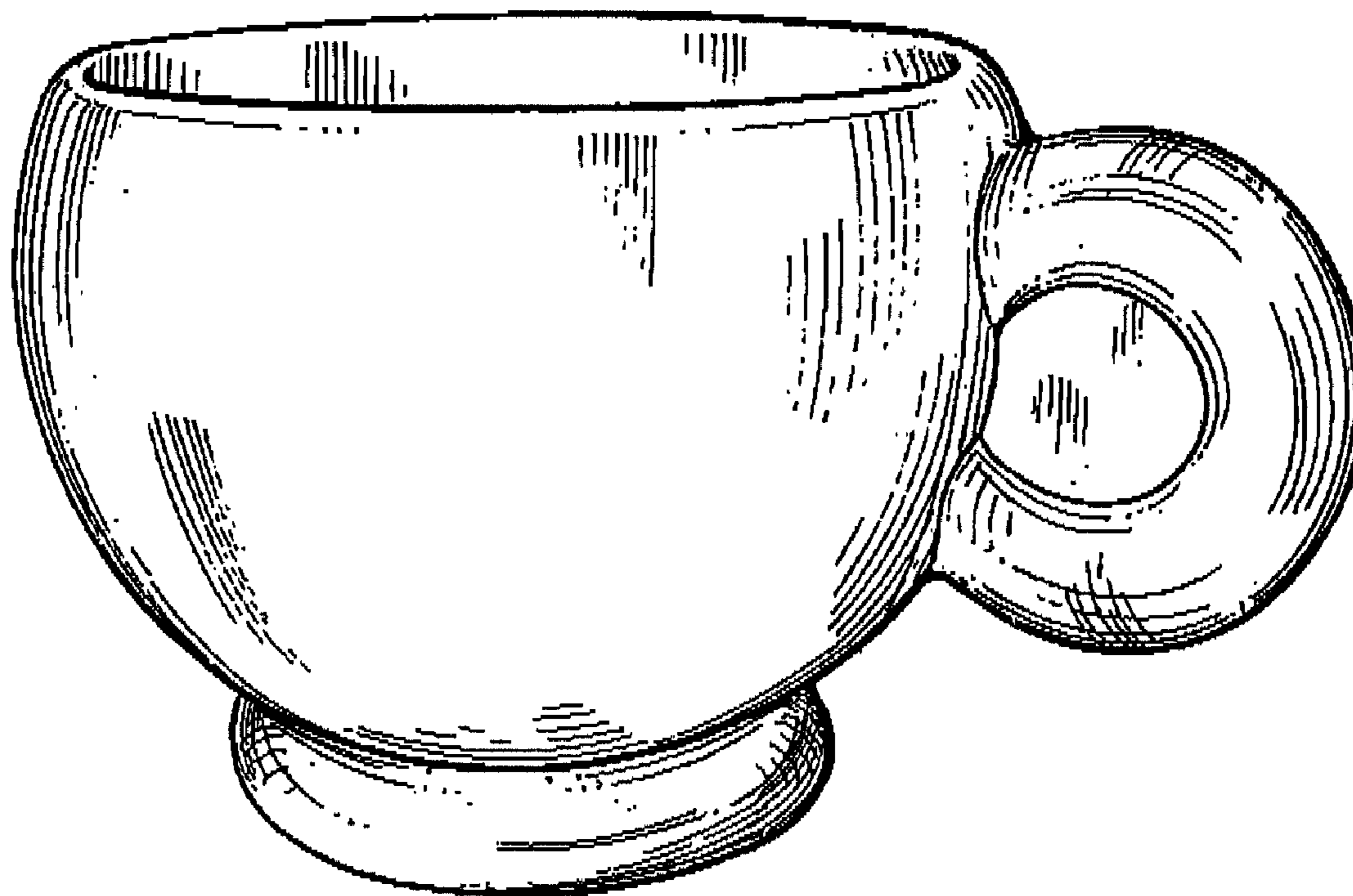
FIG. 6 is a bottom plan view thereof.

(56) **References Cited**

**U.S. PATENT DOCUMENTS**

**1 Claim, 6 Drawing Sheets**

D78,171 S \* 4/1929 Stern ..... D7/536





**FIG. 1**

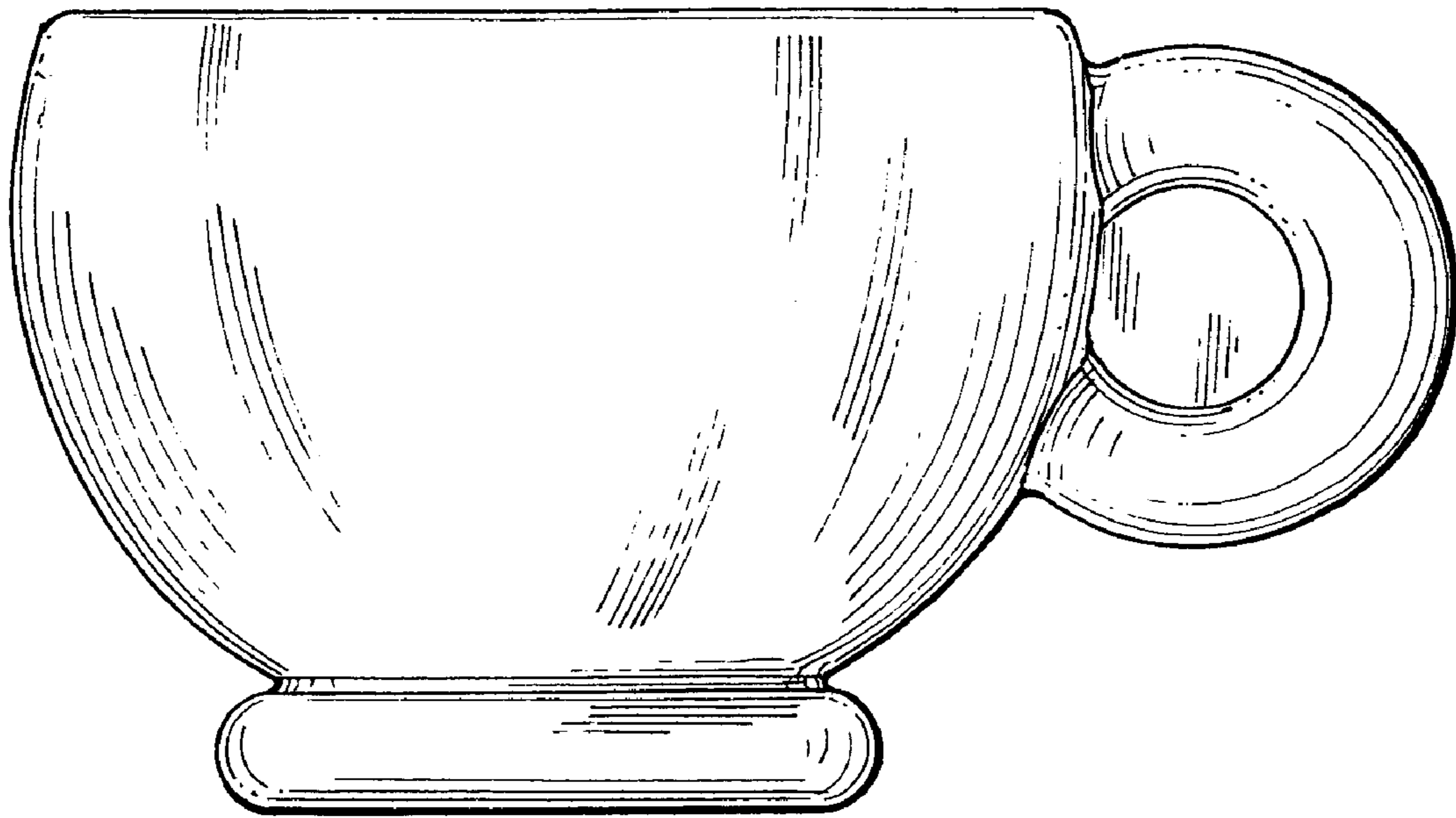
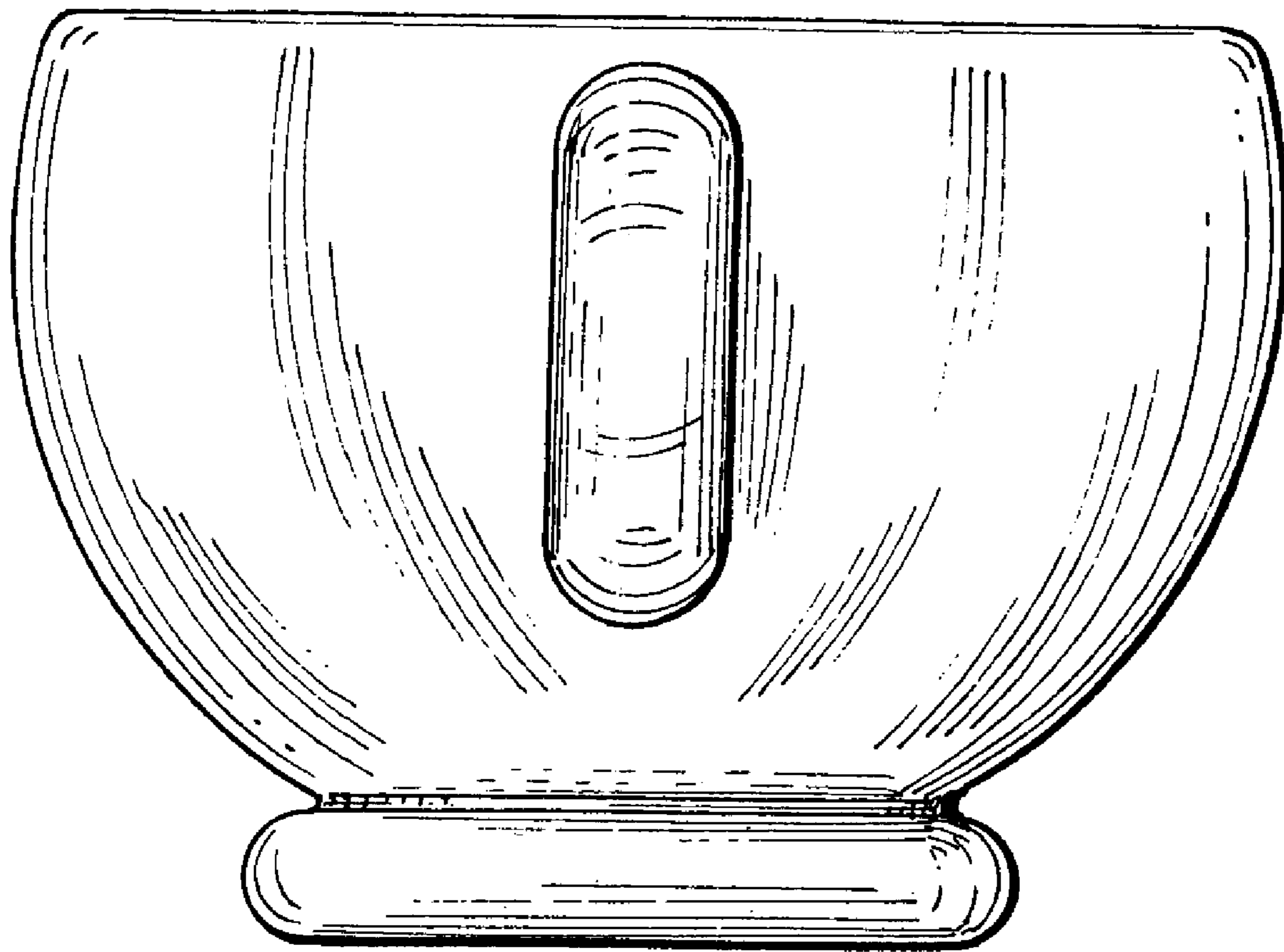
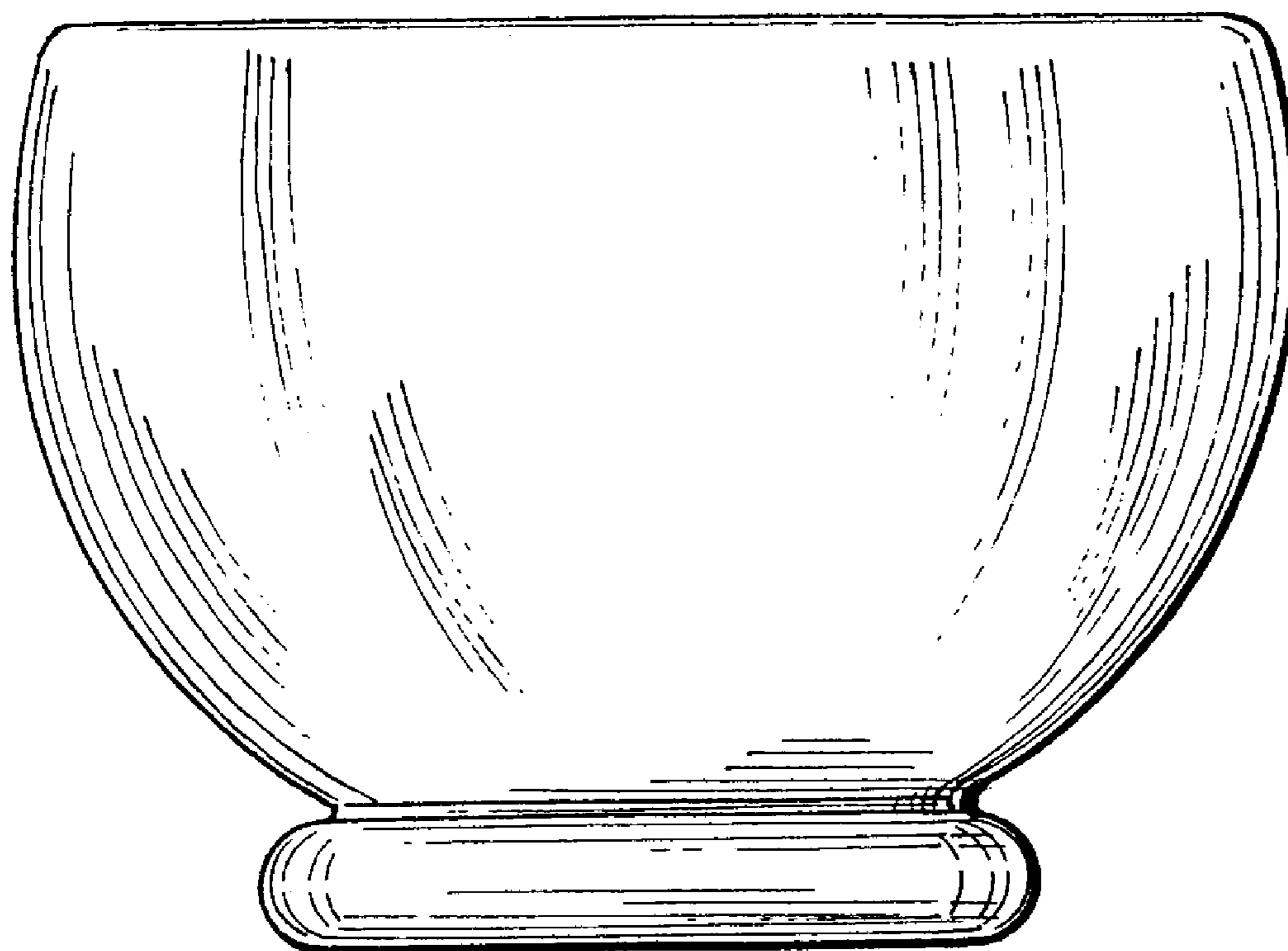


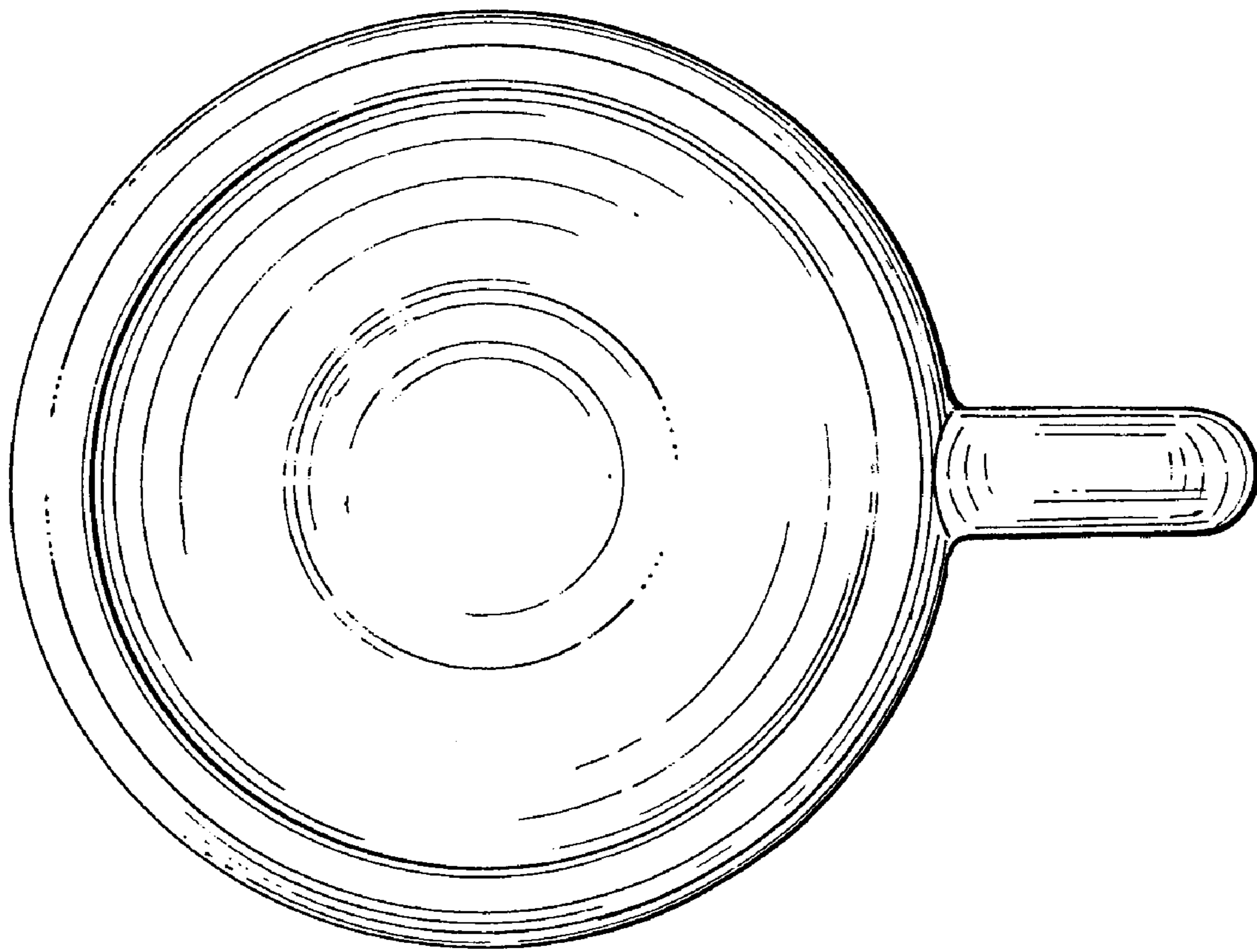
FIG. 2



**FIG. 3**



**FIG. 4**



**FIG. 5**

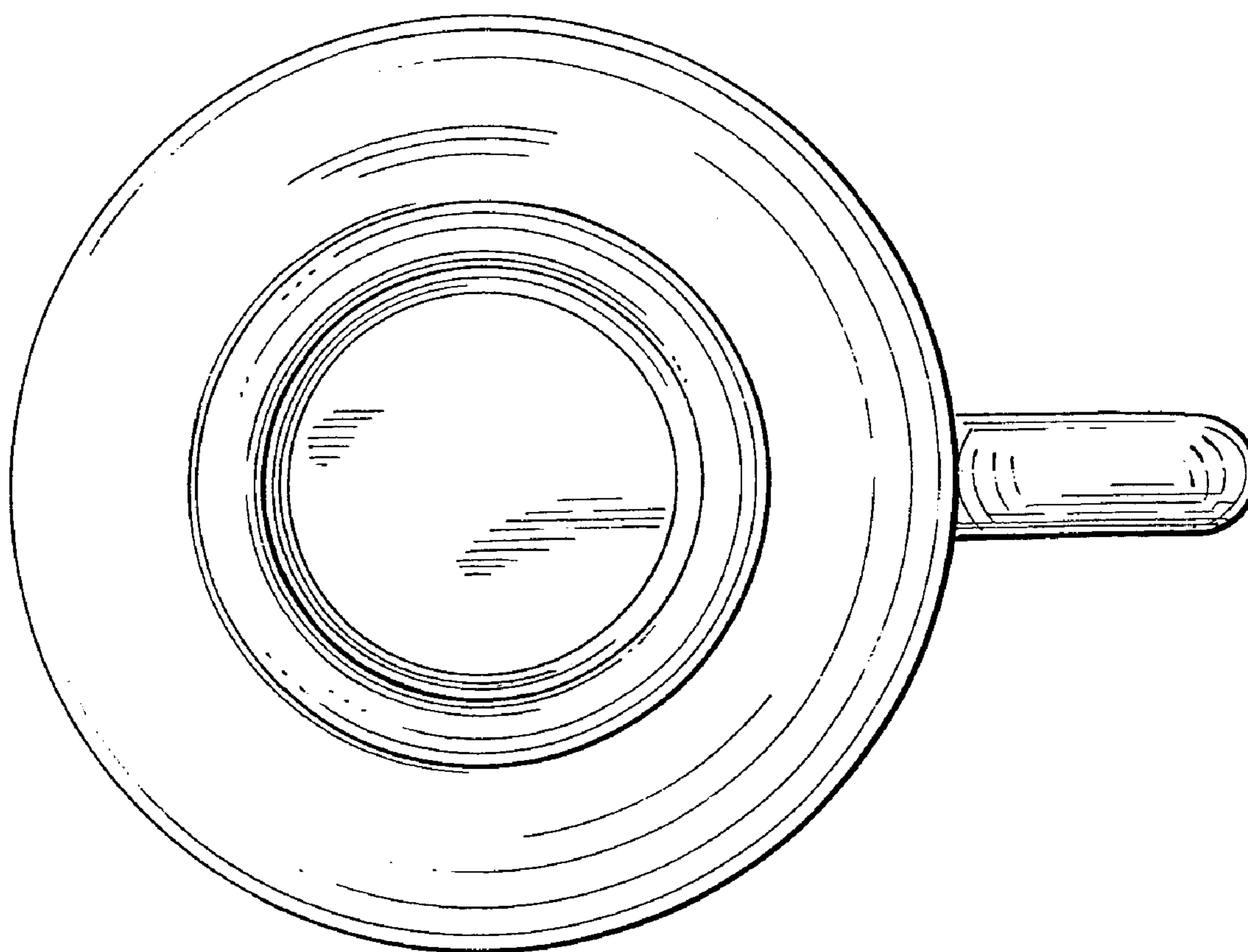


FIG. 6