



US00D561530S

(12) **United States Design Patent** (10) **Patent No.:** **US D561,530 S**
Florkey et al. (45) **Date of Patent:** **** Feb. 12, 2008**

(54) **DEAD WEIGHT PRESSURE RELIEF MANIFOLDS FOR PRESSURE FRYERS**

(74) *Attorney, Agent, or Firm*—Baker Botts L.L.P.

(75) Inventors: **Edward J. Florkey**, Vandalia, OH (US); **Steven E. Groll**, Connerville, IN (US)

(57) **CLAIM**

The ornamental design for a dead weight pressure relief manifolds for pressure fryers, as shown and described.

(73) Assignee: **Henny Penny Corporation**, Eaton, OH (US)

DESCRIPTION

(**) Term: **14 Years**

FIG. 1 is a perspective view of a left-hand mounted, dead weight, pressure relief manifold for a pressure fryer, according to an embodiment of the design.

(21) Appl. No.: **29/250,440**

FIG. 2 is a perspective view of a right-hand mounted, dead weight, pressure relief manifold for a pressure fryer, according to an embodiment of the design.

(22) Filed: **Nov. 14, 2006**

(51) **LOC (8) Cl.** **07-02**

FIG. 3 is a top view of the dead weight, pressure relief manifold of FIGS. 1 and 2, according to an embodiment of the design.

(52) **U.S. Cl.** **D7/412**

(58) **Field of Classification Search** D7/323, D7/336, 338, 330–331, 350–367, 339, 347; D10/85; 73/1.16, 199; 99/324–325, 329 R, 99/404, 330–339; 126/391.1; 137/505.11, 137/505.42; 164/183

FIG. 4 is an end view of the dead weight, pressure relief manifold, according to an embodiment of the design.

See application file for complete search history.

FIG. 5 is a front view of the dead weight, pressure relief manifold of FIGS. 1 and 2, according to an embodiment of the design.

(56) **References Cited**

FIG. 6 is a right side view of the dead weight, pressure relief manifold of FIG. 2, according to an embodiment of the design.

U.S. PATENT DOCUMENTS

856,989	A *	6/1907	Schultz, Jr.	137/505.42
2,918,081	A *	12/1959	Lauer, Jr.	137/505.11
3,528,481	A *	9/1970	Lund	164/183
D259,734	S *	6/1981	Cerrato	D23/235
5,000,031	A *	3/1991	Potvin	73/1.16
5,142,968	A *	9/1992	Caron et al.	99/404
D378,283	S *	3/1997	Diehl	D10/85
5,760,301	A *	6/1998	Shuman, Jr.	73/199
6,209,536	B1 *	4/2001	McNamara	126/391.1
6,820,536	B2 *	11/2004	Kijimoto	99/330
D533,096	S *	12/2006	Phillips	D10/85

FIG. 7 is a left side view of the dead weight, pressure relief manifold of FIG. 1, according to an embodiment of the design.

* cited by examiner

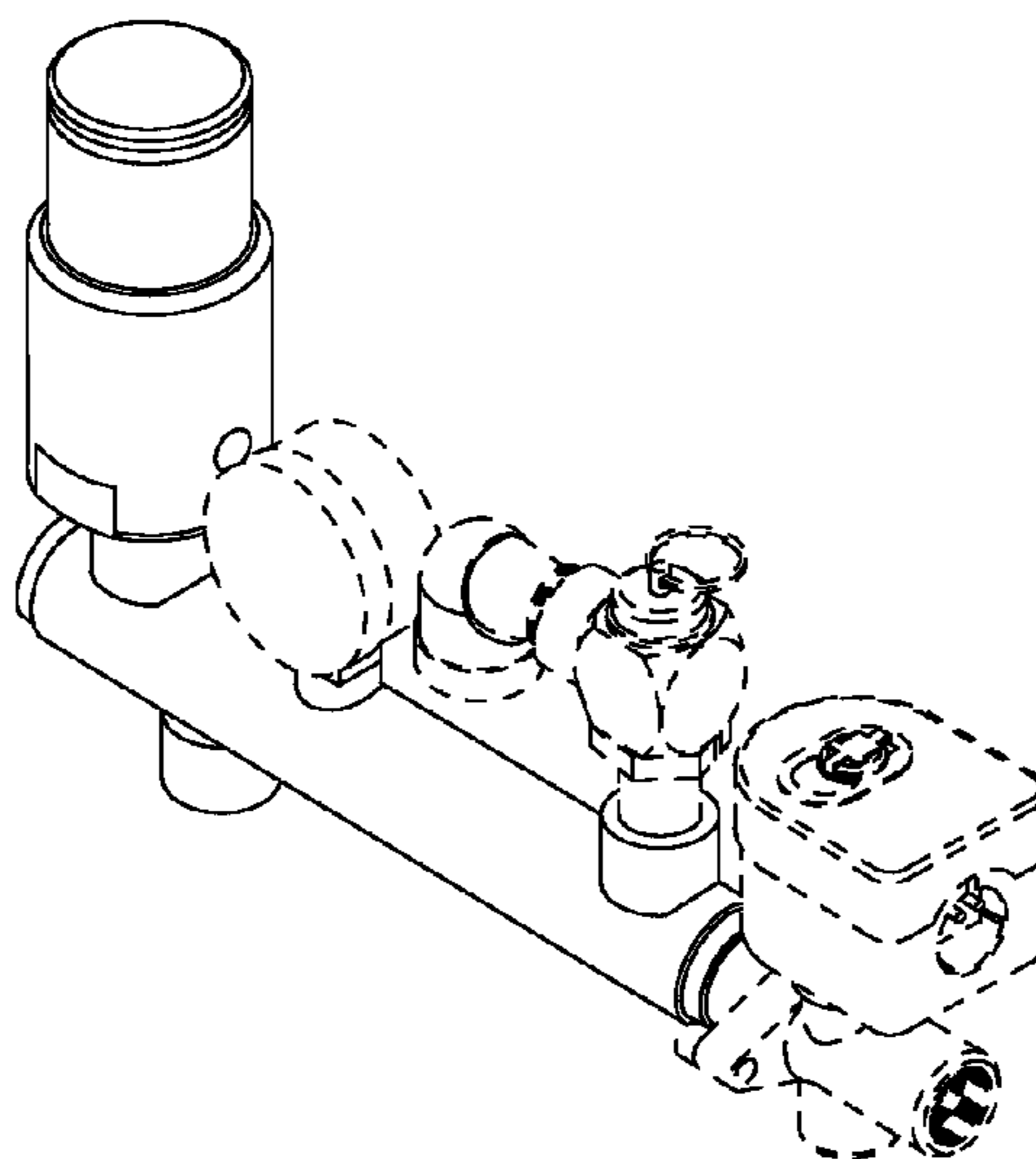
FIG. 8 is a bottom view of the dead weight, pressure relief manifold of FIGS. 1 and 2, according to an embodiment of the design; and,

Primary Examiner—Mimosa De
Assistant Examiner—Ricky Pham

FIG. 9 is a perspective view of the dead weight, pressure relief manifold of FIG. 1, according to an embodiment of the design, mounted on a pressure fryer.

The broken lines shown in the drawings are for illustrative purposes only and form no part of the claimed design.

1 Claim, 3 Drawing Sheets



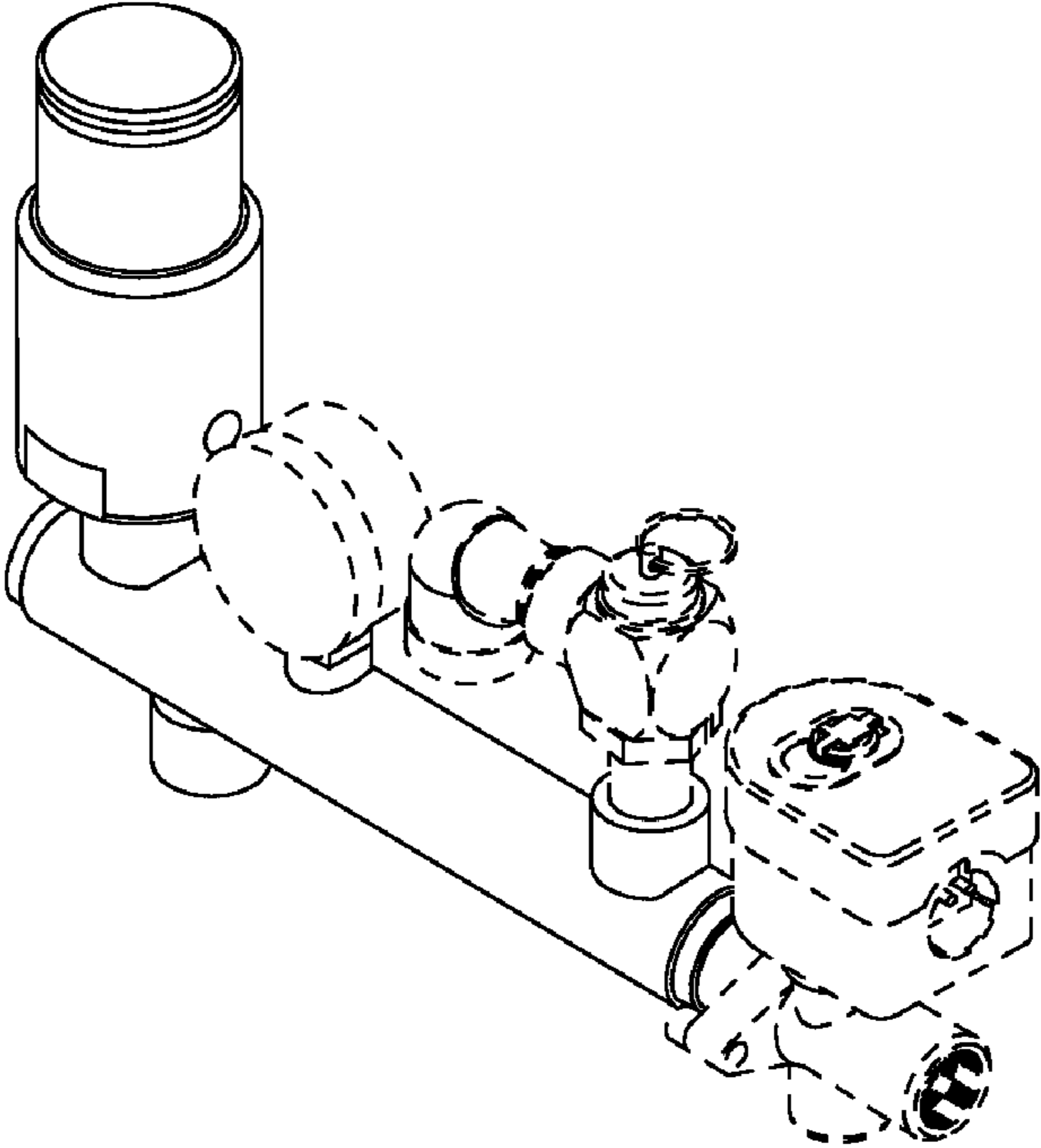


FIG. 1

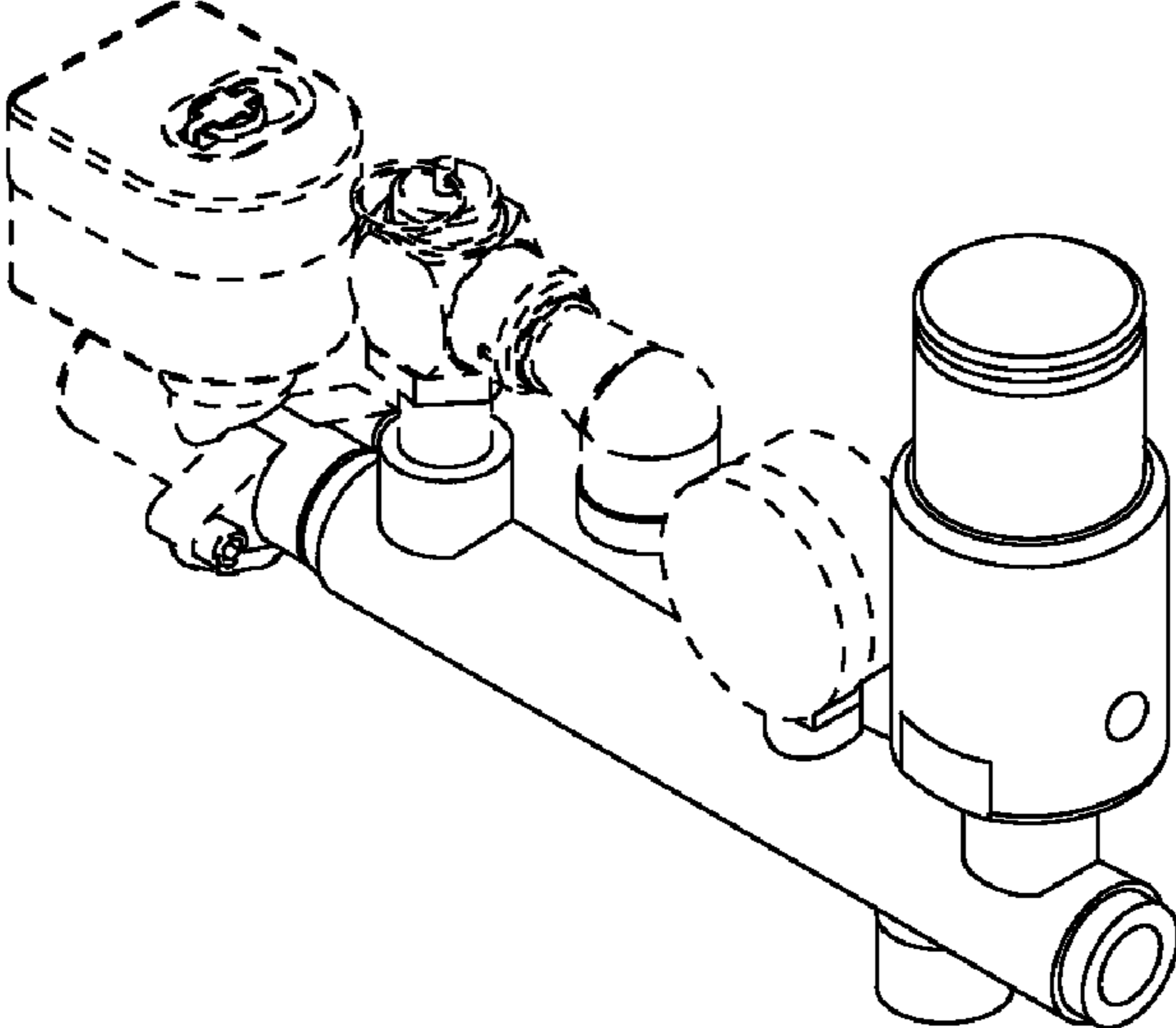


FIG. 2

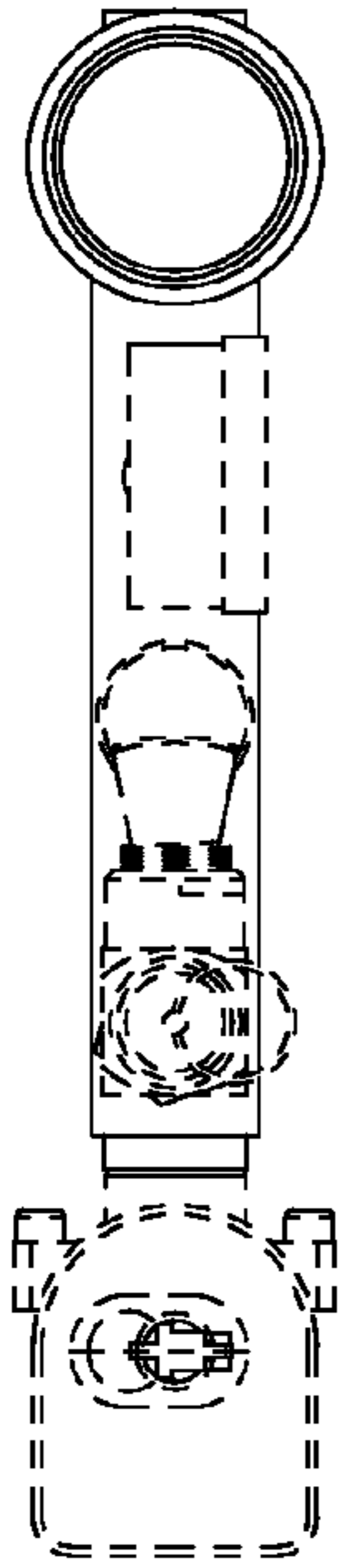


FIG. 3

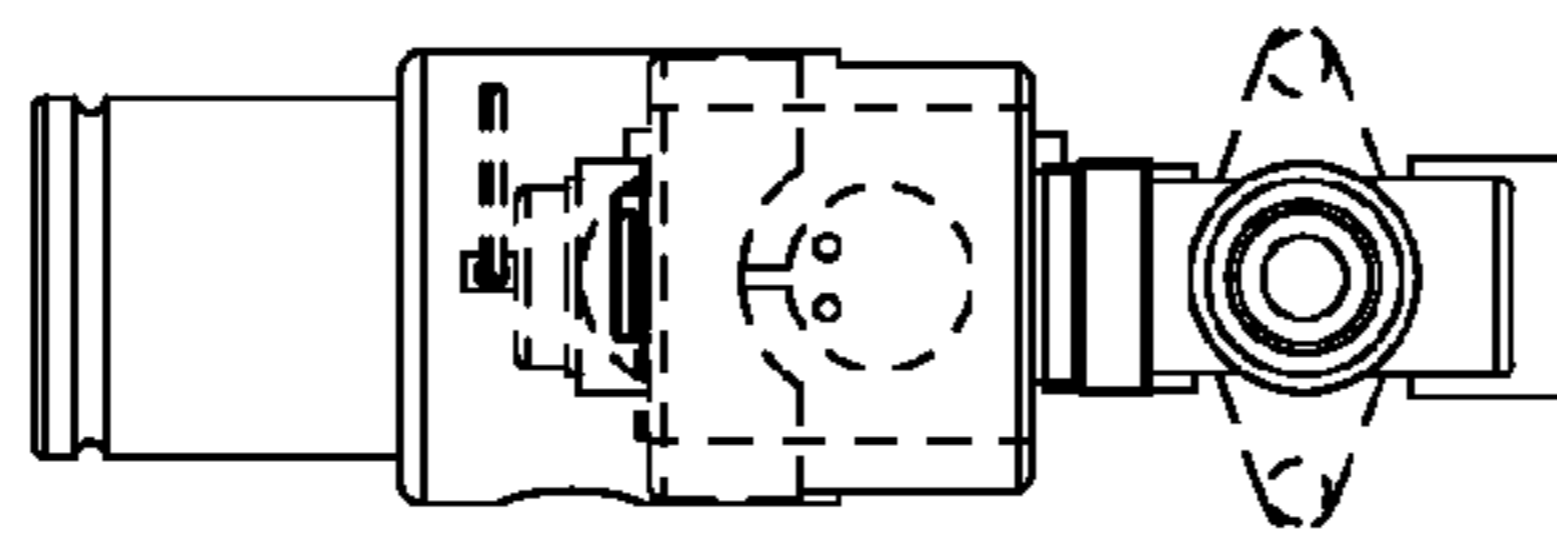


FIG. 4

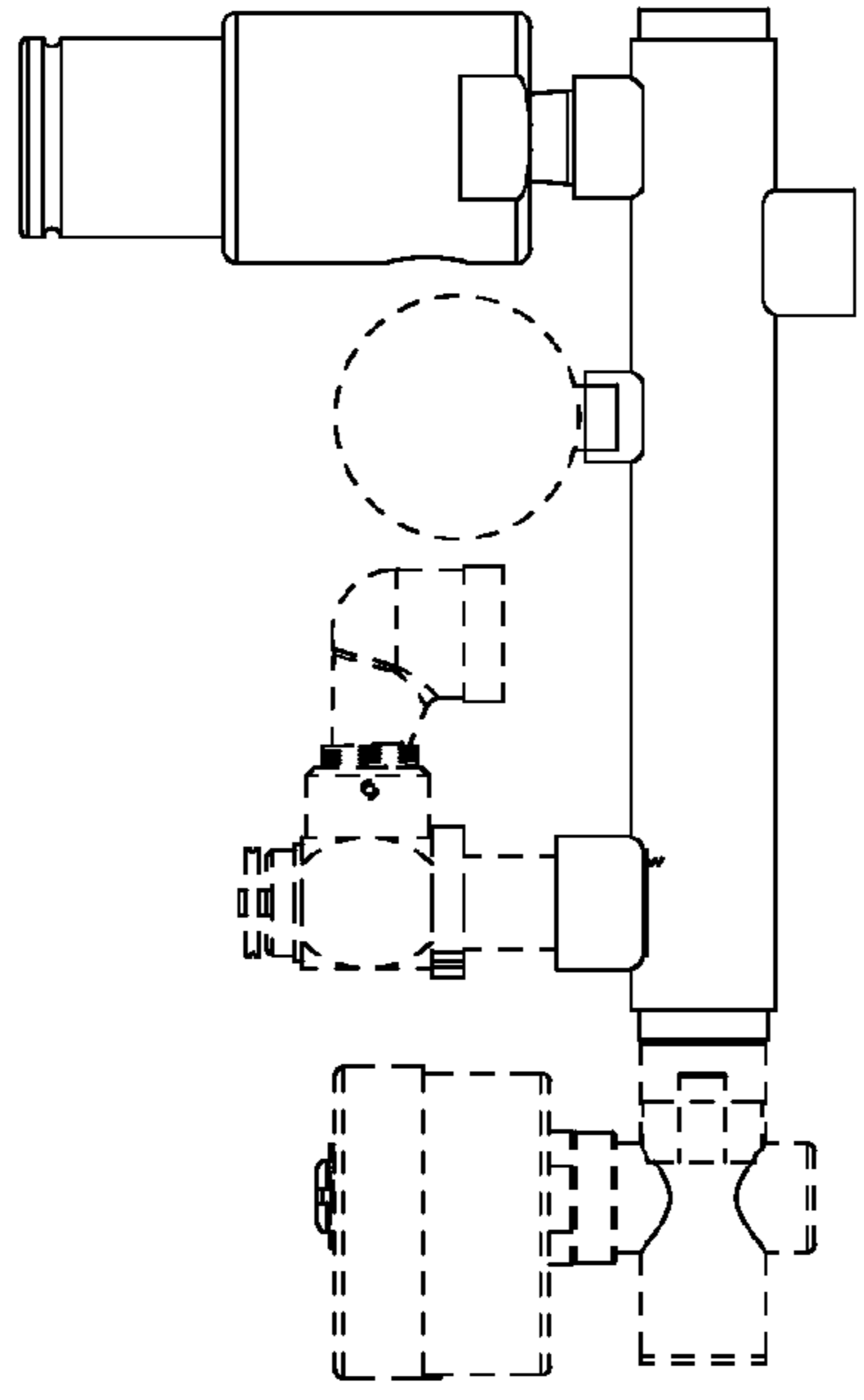


FIG. 5

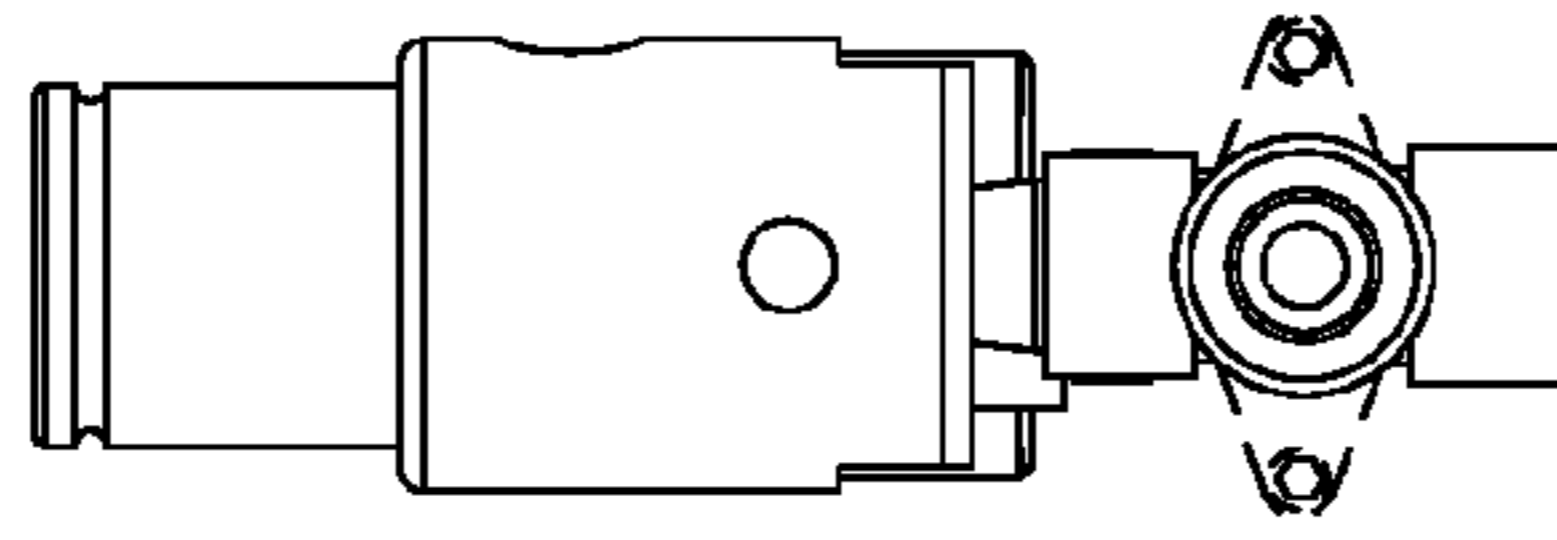


FIG. 6

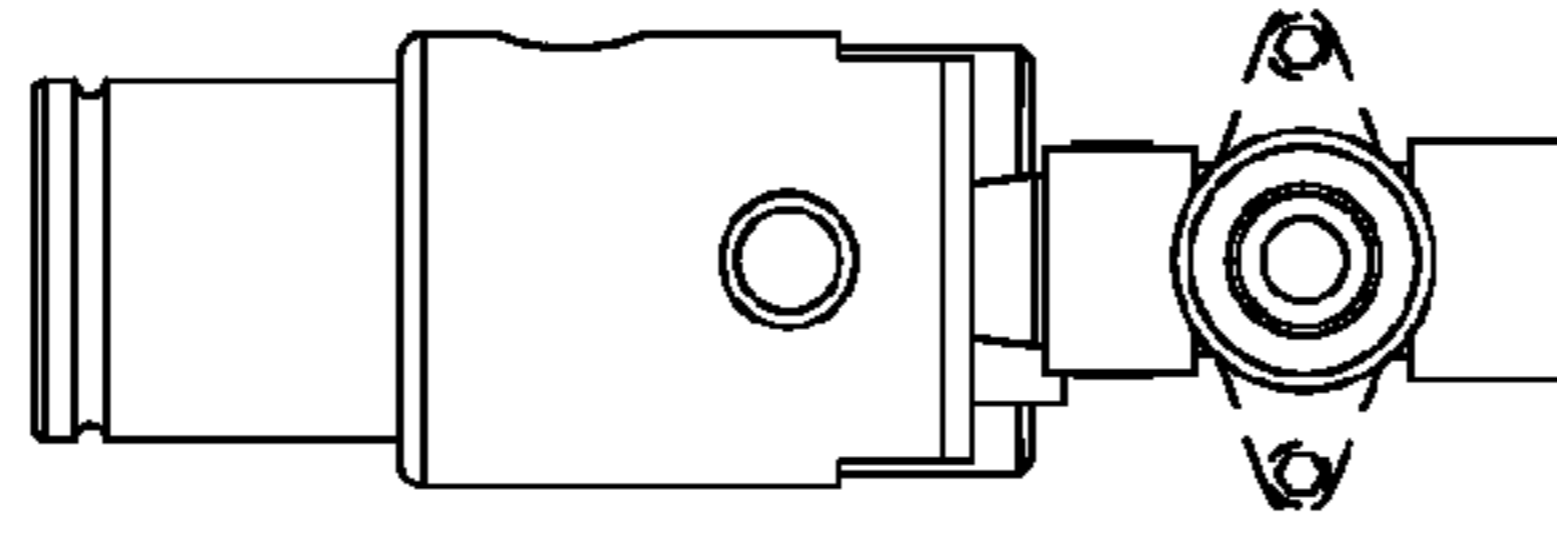


FIG. 7

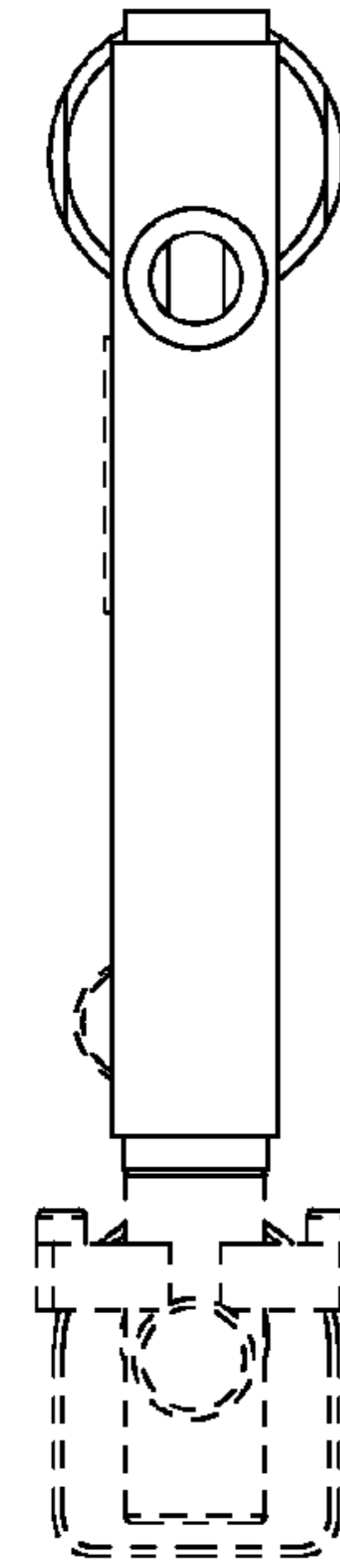


FIG. 8

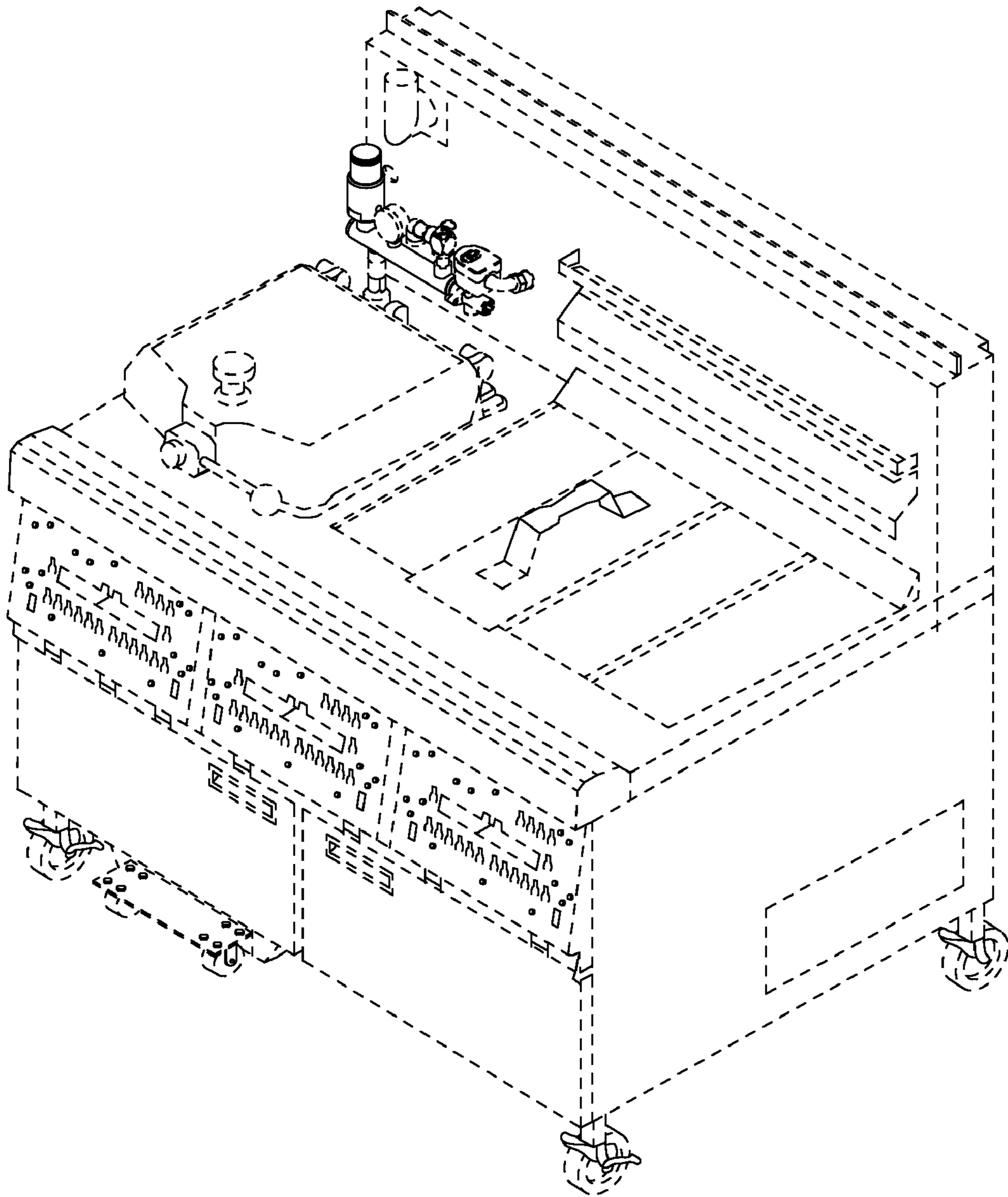


FIG. 9