

US00D561529S

(12) **United States Design Patent**
Suh et al.

(10) **Patent No.:** **US D561,529 S**
(45) **Date of Patent:** **** Feb. 12, 2008**

(54) **PANEL FOR OVEN**

(75) Inventors: **Seung Wook Suh**, Seoul (KR); **Sei Ill Jeon**, Seoul (KR); **Andy Shin**, Seoul (KR); **Min Jung Kang**, Seoul (KR); **Dong Won Chun**, Seoul (KR)

(73) Assignee: **Samsung Electronics Co., Ltd.**, Suwon (KR)

(**) Term: **14 Years**

(21) Appl. No.: **29/291,702**

(22) Filed: **Sep. 11, 2007**

(51) **LOC (8) Cl.** **07-02**

(52) **U.S. Cl.** **D7/405; D7/351**

(58) **Field of Classification Search** D7/402-406, D7/1, 346-351; 126/19 M, 275 E, 273 A; 219/756-758, 391, 393, 402; 99/DIG. 14
See application file for complete search history.

(56) **References Cited**

U.S. PATENT DOCUMENTS

D463,710 S	*	10/2002	Choi	D7/351
D518,680 S	*	4/2006	Kim	D7/351
D518,681 S	*	4/2006	Shin	D7/351
D532,245 S	*	11/2006	Shin	D7/351
D532,645 S	*	11/2006	Lee	D7/351
D535,848 S	*	1/2007	Jeon	D7/351
D536,569 S	*	2/2007	Shin	D7/351

D539,592 S	*	4/2007	Jeon et al.	D7/350.1
D540,105 S	*	4/2007	Lee et al.	D7/351
D540,107 S	*	4/2007	Jeon	D7/351
D540,614 S	*	4/2007	Jeon	D7/350.1
D540,615 S	*	4/2007	Jeon	D7/351
D550,024 S	*	9/2007	Jeon	D7/350.1

* cited by examiner

Primary Examiner—Robert A. Delehanty

Assistant Examiner—Mark Cavanna

(74) *Attorney, Agent, or Firm*—Ladas and Parry LLP

(57) **CLAIM**

We claim the ornamental design for panel for oven, as shown and described.

DESCRIPTION

FIG. 1 is a front/right-side/top perspective view of a panel for oven showing our new design;

FIG. 2 is a front-side elevational view thereof;

FIG. 3 is a left-side elevational view thereof;

FIG. 4 is a right-side elevational view thereof;

FIG. 5 is a top-side elevational view thereof; and,

FIG. 6 is a bottom-side elevational view thereof.

The broken lines showing of the oven is for illustrative purpose only and form no part of the claimed design.

1 Claim, 4 Drawing Sheets

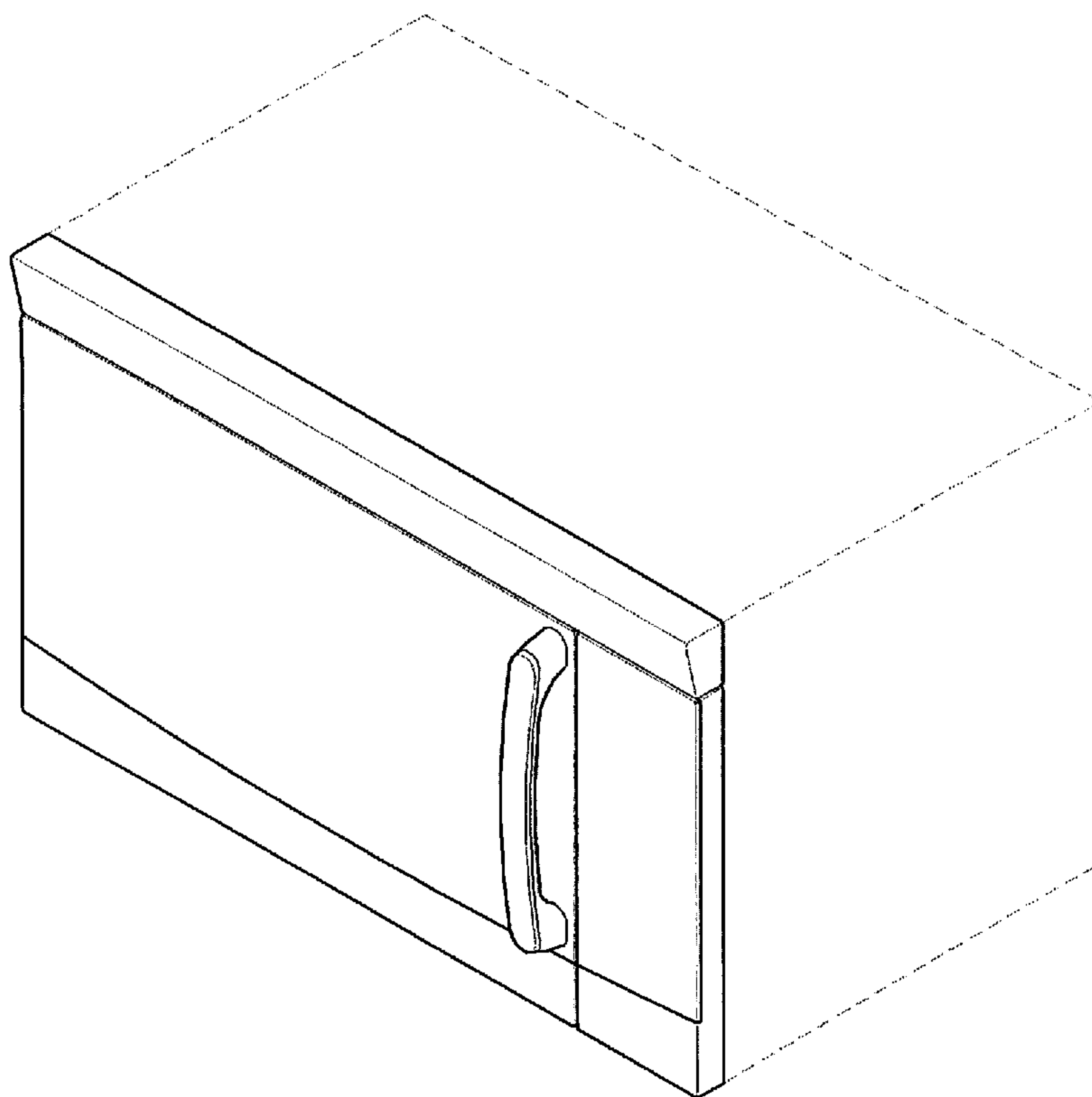


FIG. 1

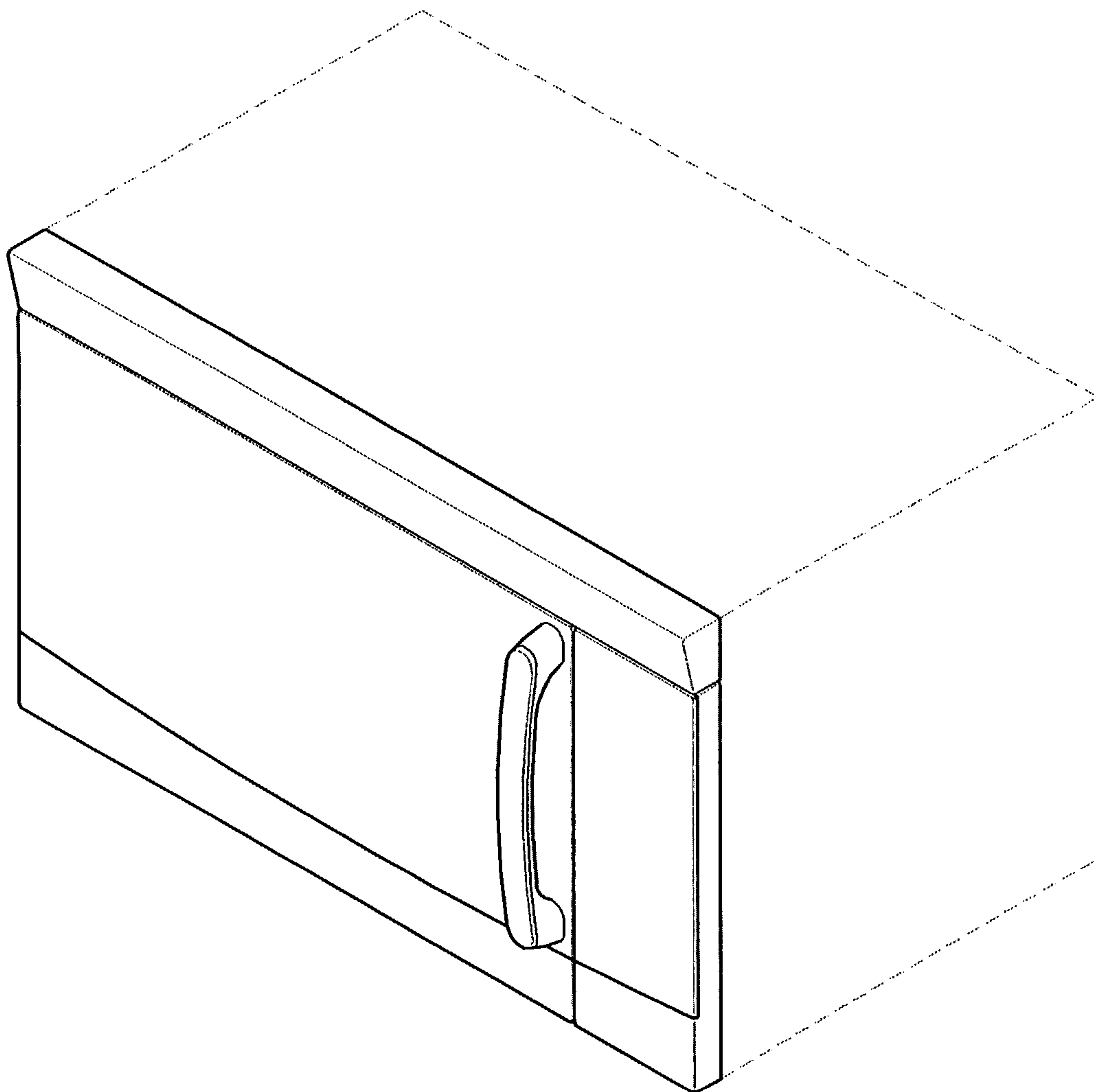


FIG. 2

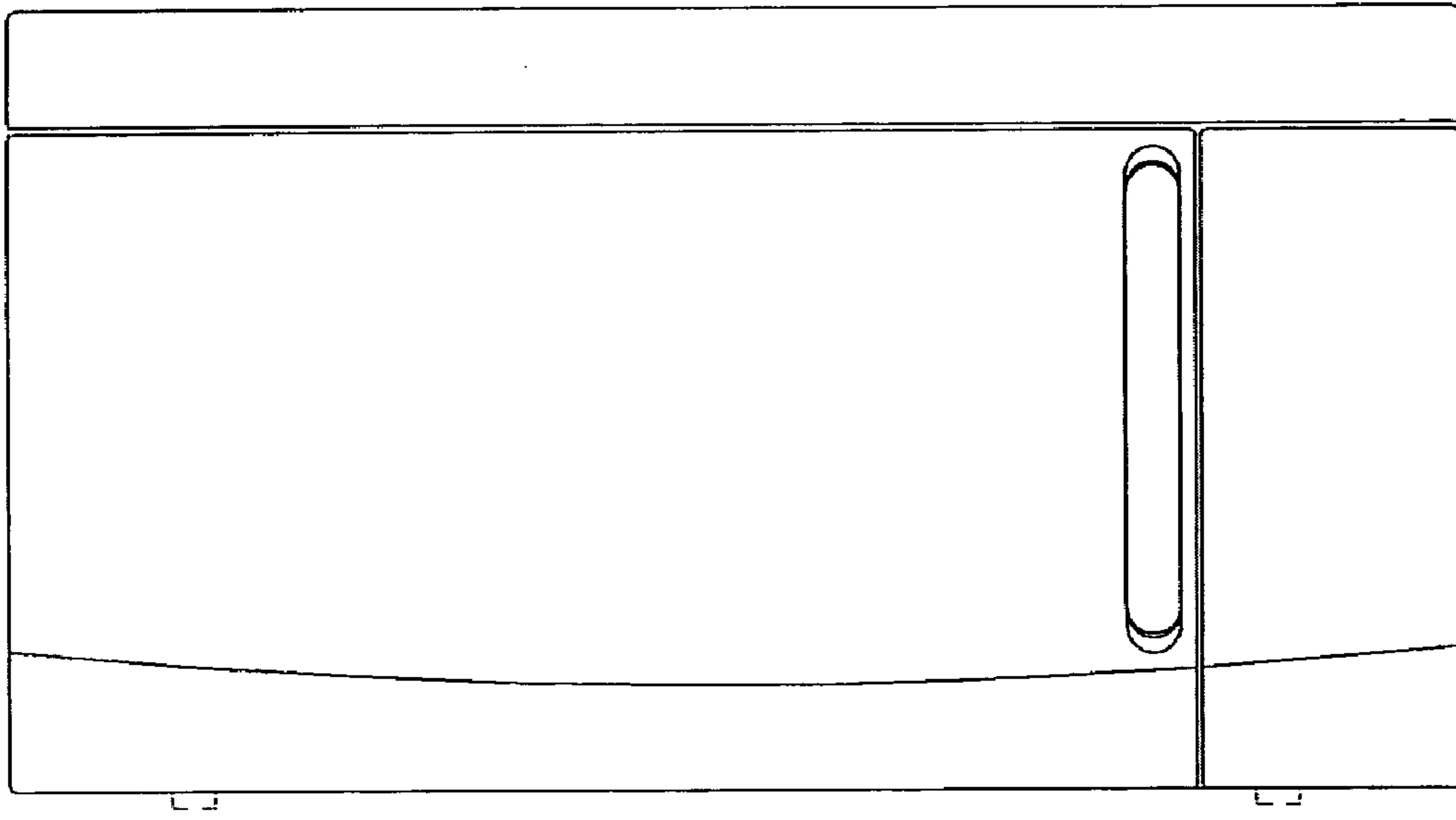


FIG. 3

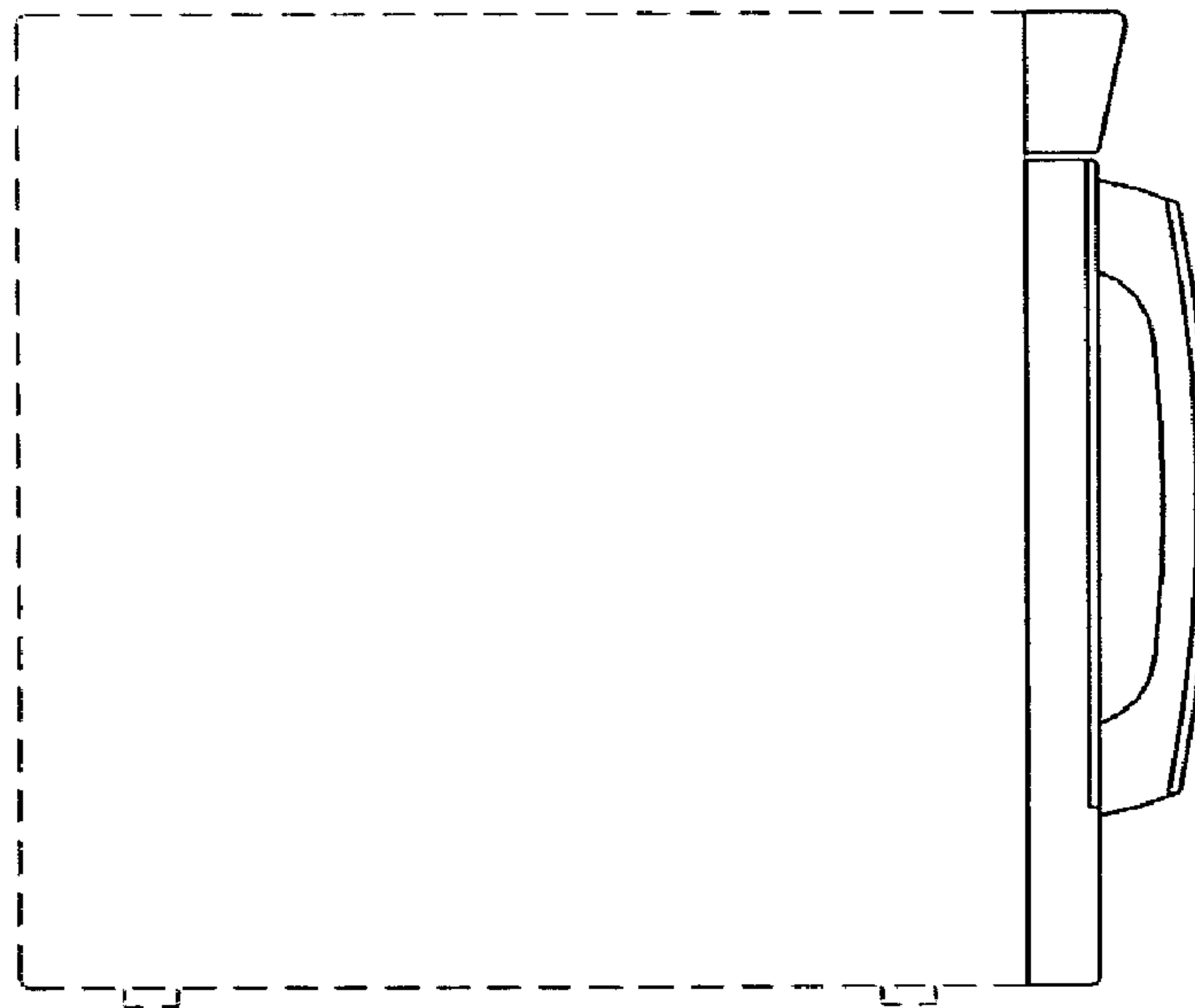


FIG. 4

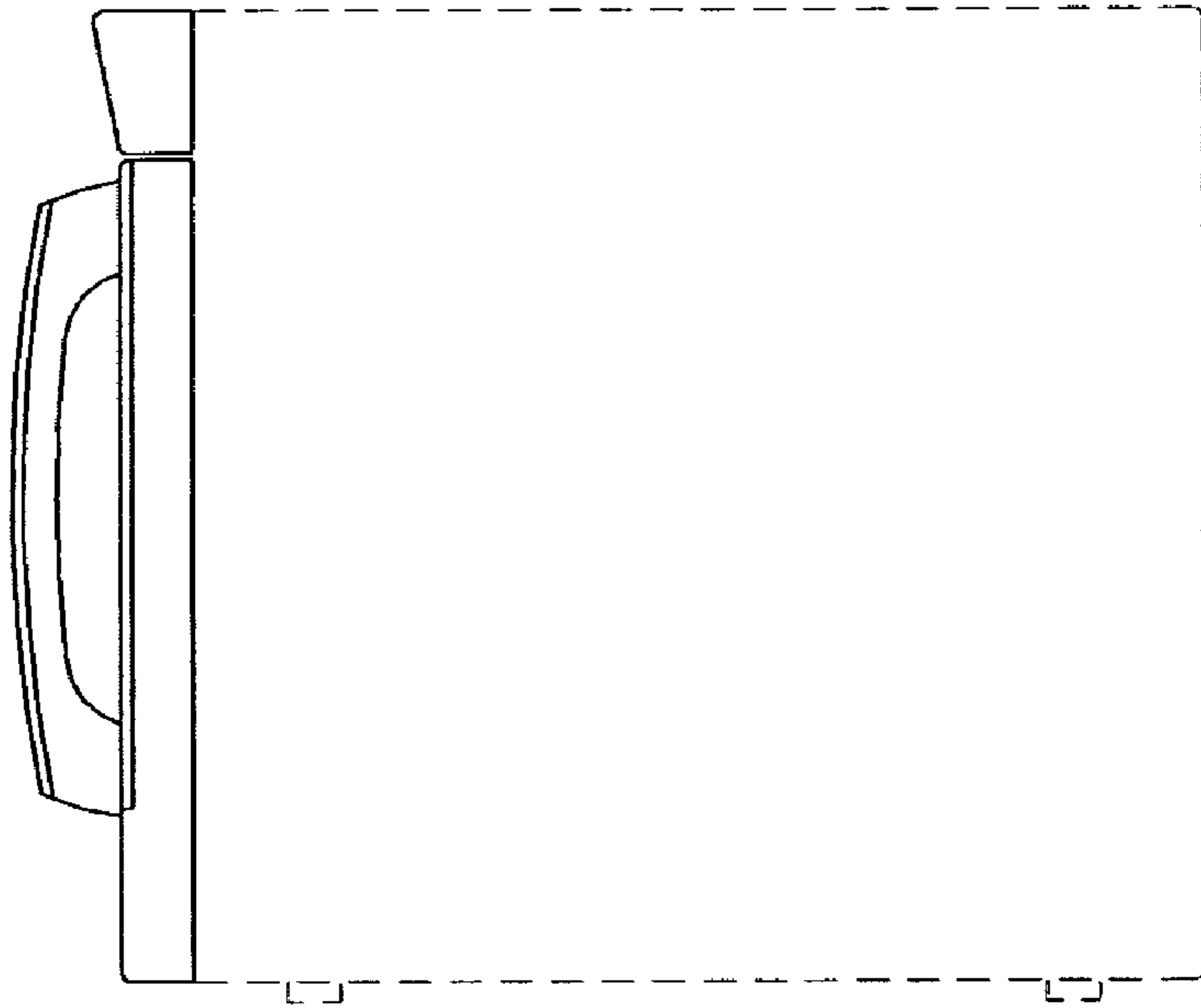


FIG. 5

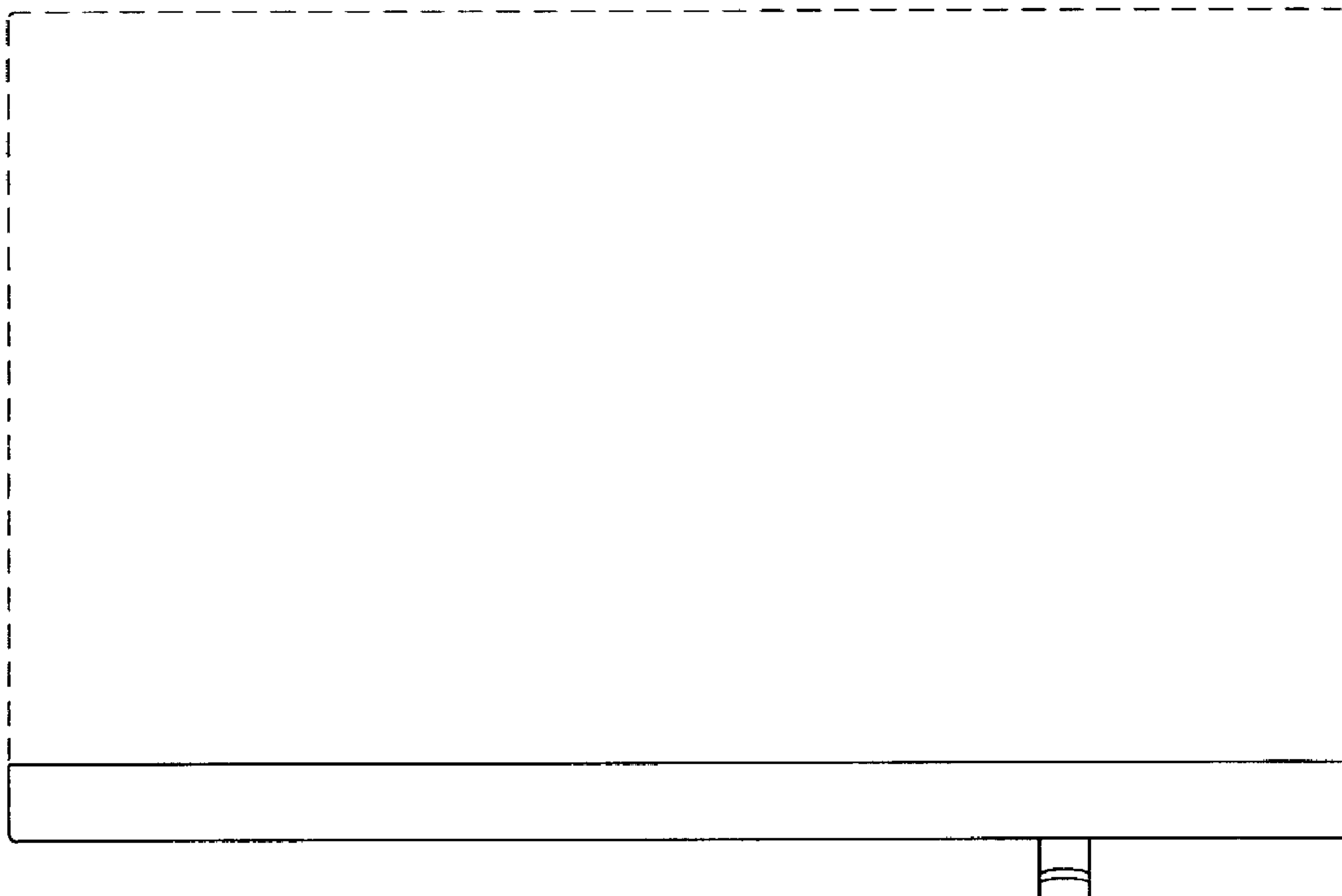


FIG. 6

