

US00D561527S

(12) **United States Design Patent**  
**Giannone**

(10) **Patent No.:** **US D561,527 S**

(45) **Date of Patent:** **\*\* Feb. 12, 2008**

(54) **PAN HANDLE**

D468,583 S \* 1/2003 Kerulis ..... D7/395  
D494,412 S \* 8/2004 Prakasa ..... D7/395  
D503,585 S \* 4/2005 Tetreault et al. .... D7/395

(75) Inventor: **Alfonso Giannone**, Brembate (IT)

(73) Assignee: **Bialetti Industrie S.p.A.**, Coccaglio (Brescia) (IT)

(\*\*) Term: **14 Years**

(21) Appl. No.: **29/275,350**

(22) Filed: **Dec. 21, 2006**

(30) **Foreign Application Priority Data**

Dec. 7, 2006 (IT) ..... BS2006O0047

(51) **LOC (8) Cl.** ..... **07-02**

(52) **U.S. Cl.** ..... **D7/395**

(58) **Field of Classification Search** ..... D7/354-357,  
D7/359-361, 393, 395; D8/107, 307, 300;  
16/430, 431, 110.1, 407; 220/573.1-573.5,  
220/752, 753, 755-757, 759

See application file for complete search history.

(56) **References Cited**

**U.S. PATENT DOCUMENTS**

D366,184 S \* 1/1996 Koch ..... D7/395

\* cited by examiner

*Primary Examiner*—Holly H. Baynham

*Assistant Examiner*—Cynthia M. Chin

(74) *Attorney, Agent, or Firm*—Shoemaker and Mattare

(57) **CLAIM**

The ornamental design for a pan handle, as shown and described.

**DESCRIPTION**

FIG. 1 is a perspective view of a pan handle, showing my new design from the top, front and right side;

FIG. 2 is a right side elevational view thereof;

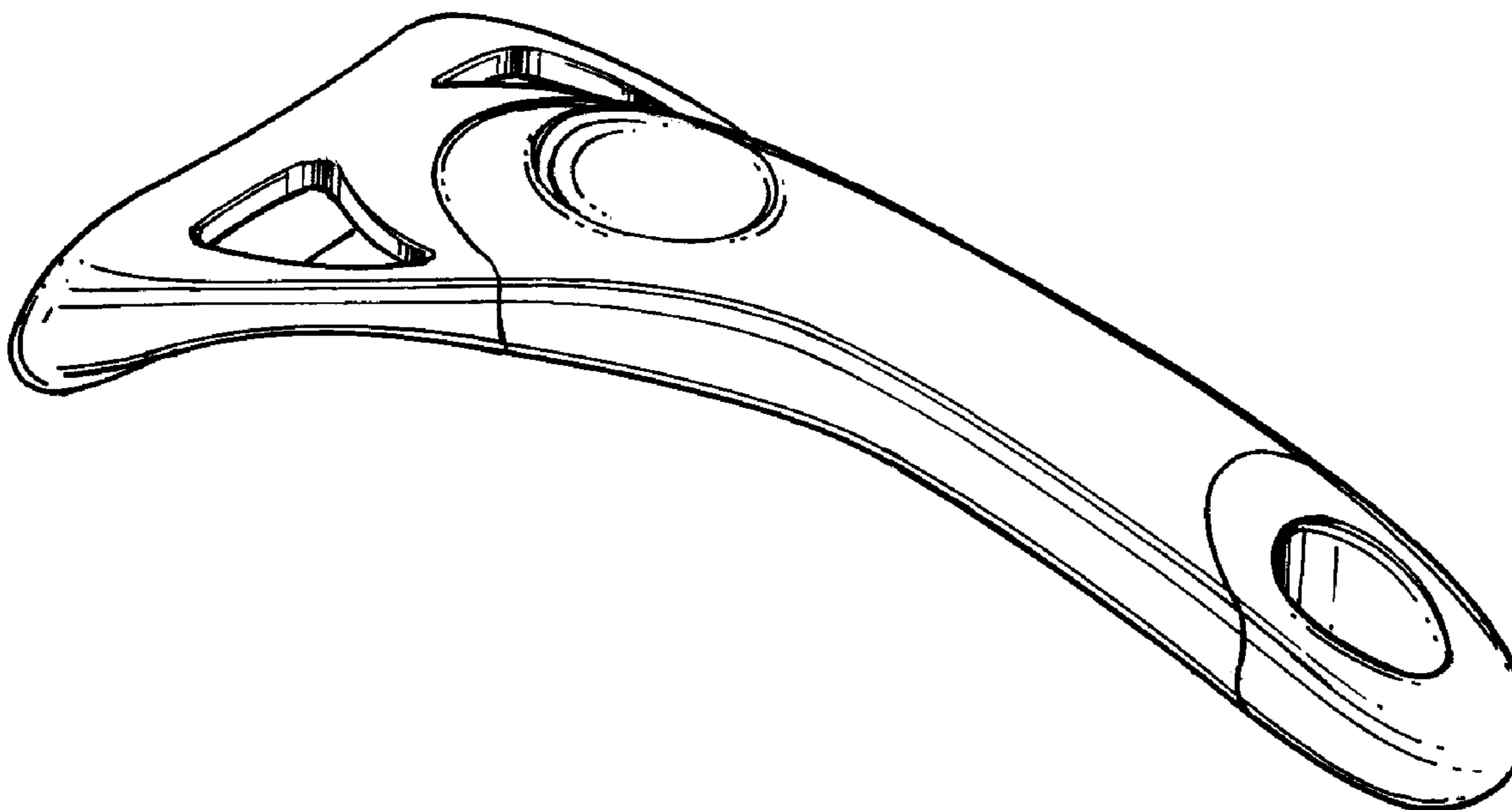
FIG. 3 is a rear elevational view thereof;

FIG. 4 is a front elevational view thereof;

FIG. 5 is a top plan view thereof; and,

FIG. 6 is a bottom plan view thereof.

**1 Claim, 2 Drawing Sheets**



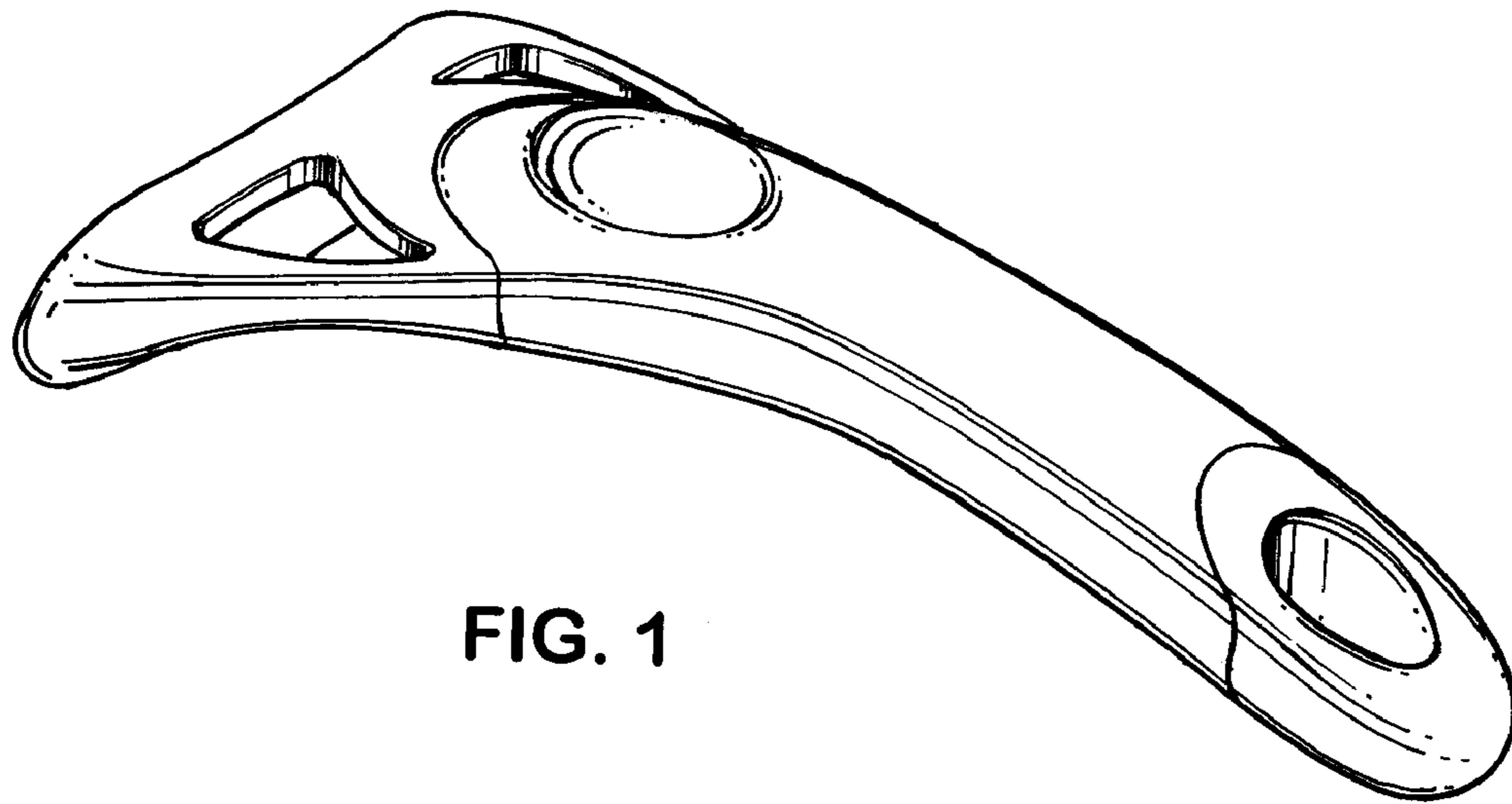


FIG. 1

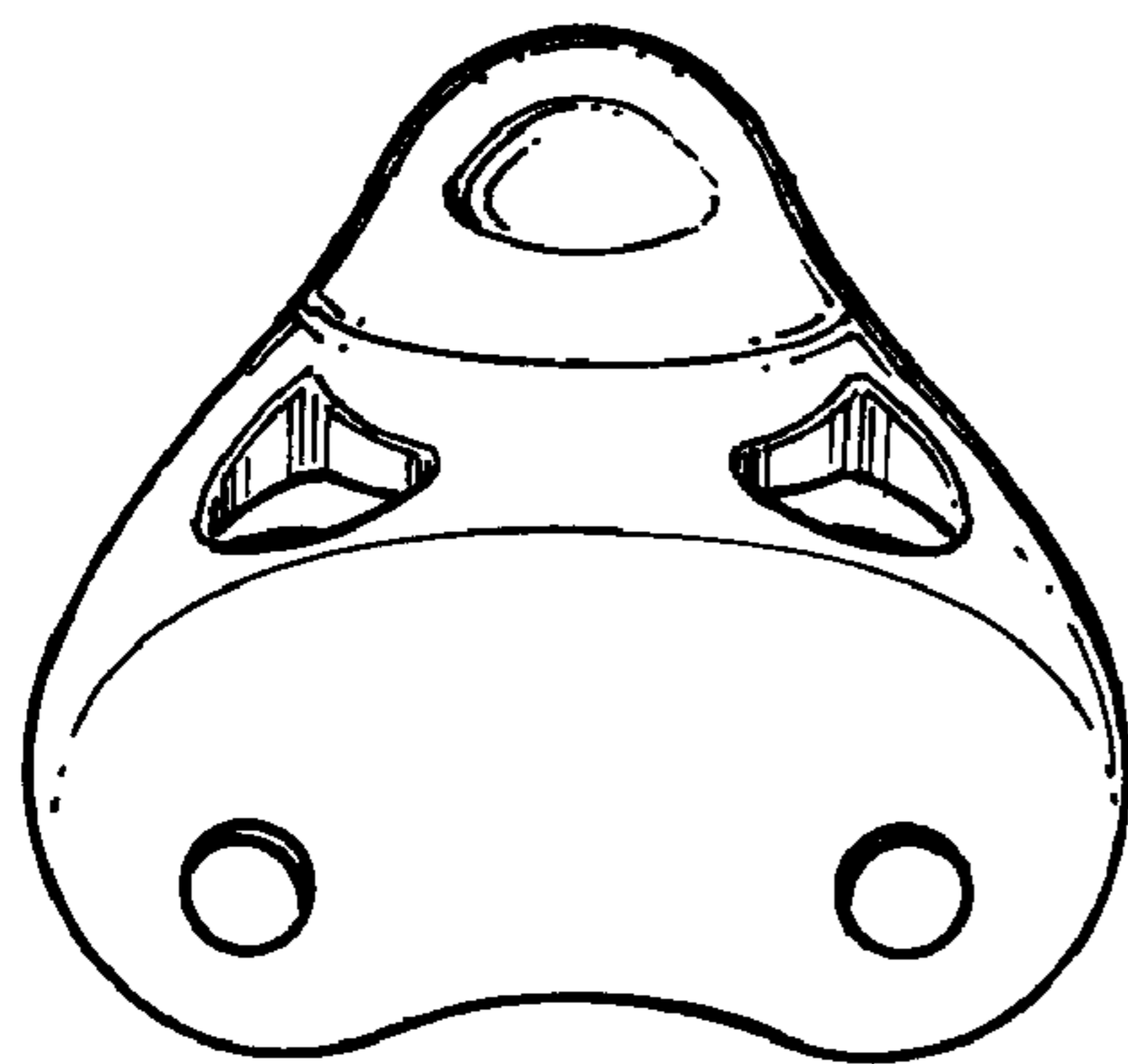


FIG. 3

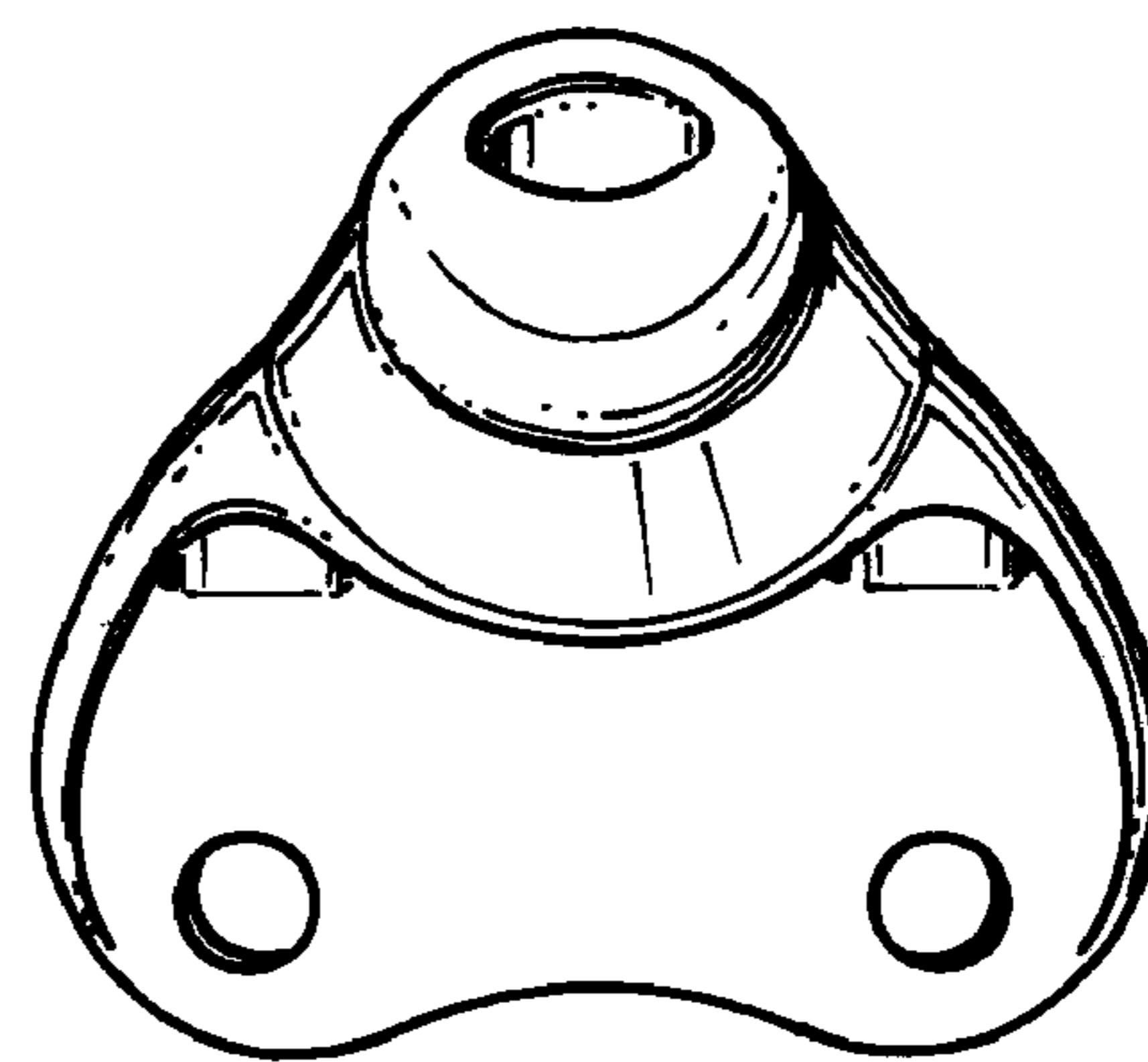


FIG. 4

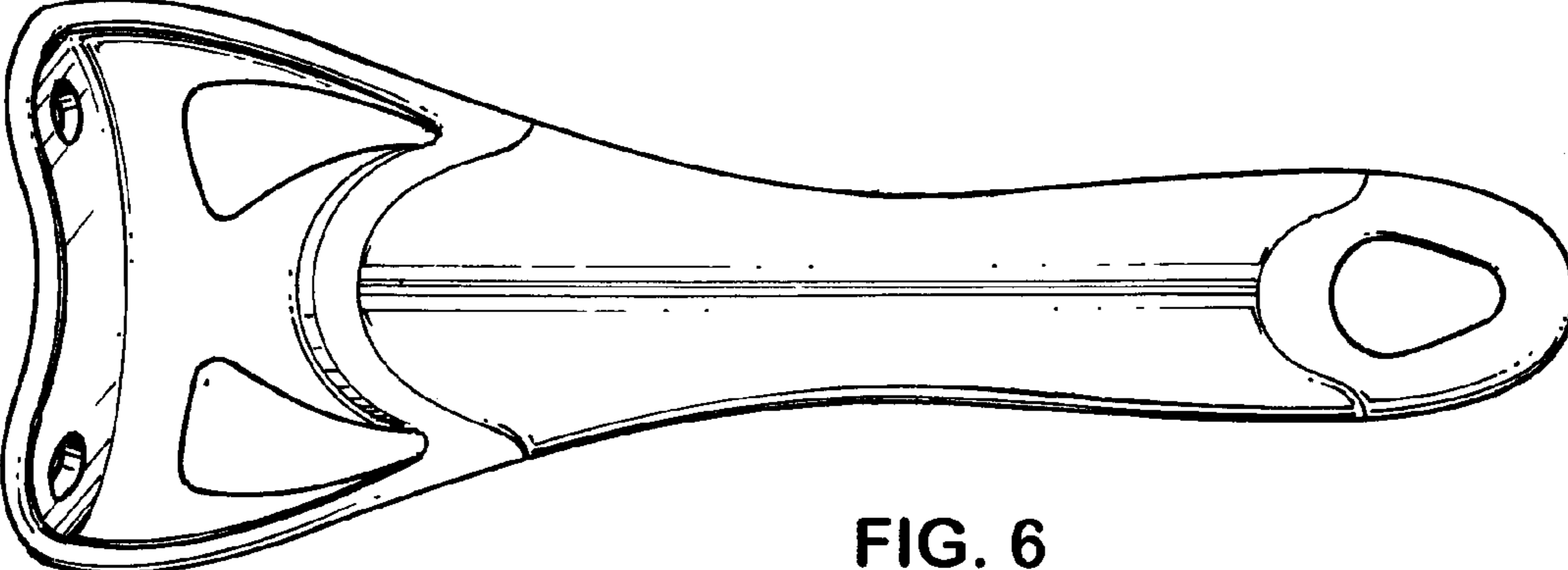


FIG. 6

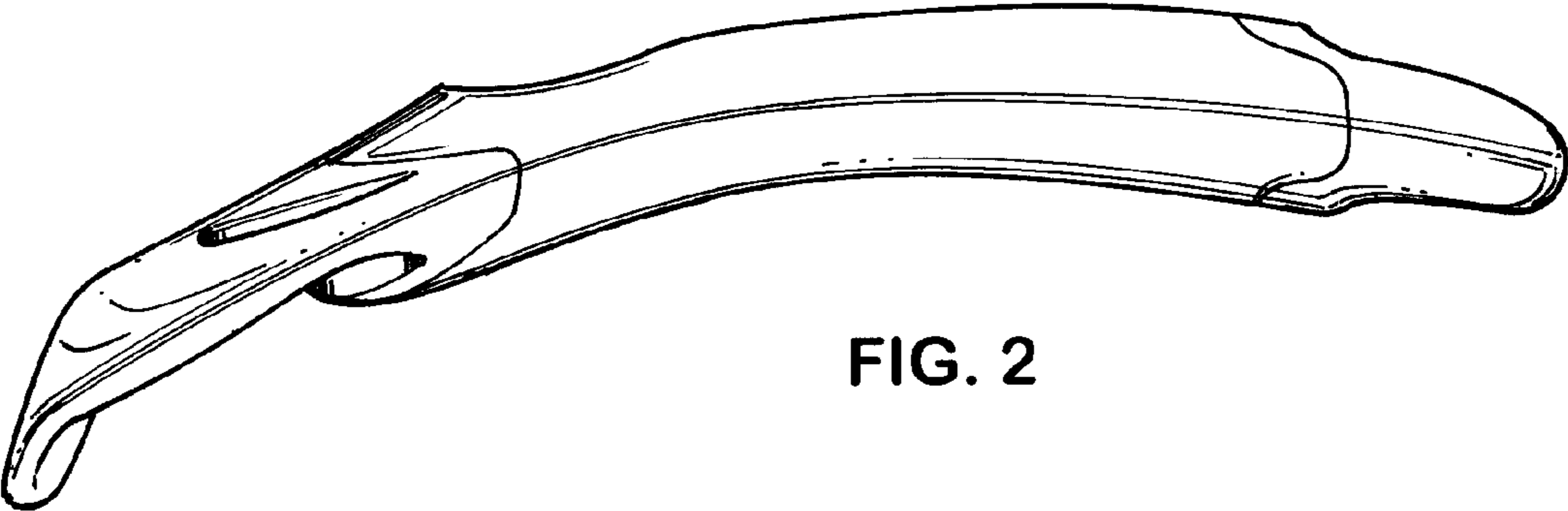


FIG. 2

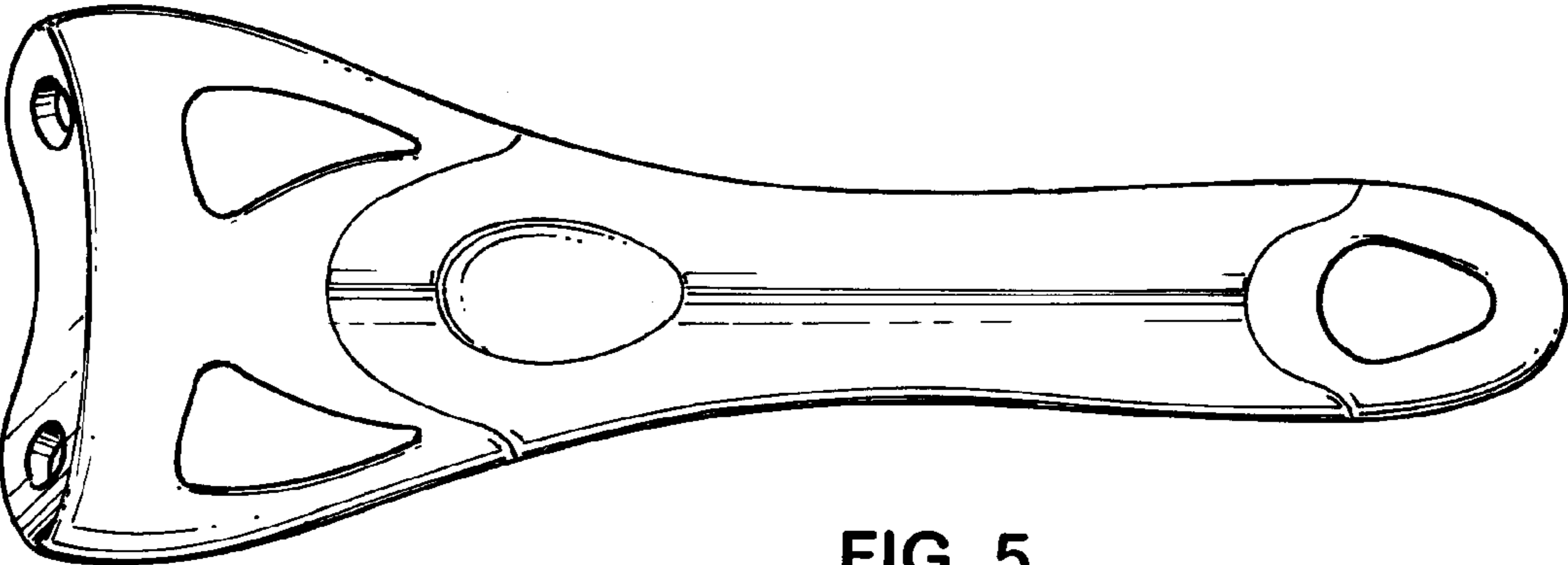


FIG. 5