

US00D561524S

(12) **United States Design Patent**
Munari

(10) **Patent No.:** **US D561,524 S**

(45) **Date of Patent:** **** Feb. 12, 2008**

(54) **SAUCEPAN HANDLE**

(75) Inventor: **Marco Munari**, Cardano Al Campo (IT)

(73) Assignee: **La Termoplastico F.B.M. - S.r.l.** (IT)

(**) Term: **14 Years**

(21) Appl. No.: **29/272,501**

(22) Filed: **Feb. 8, 2007**

(30) **Foreign Application Priority Data**

Aug. 8, 2006 (EM) 000572276

(51) **LOC (8) Cl.** **07-02**

(52) **U.S. Cl.** **D7/394**

(58) **Field of Classification Search** D7/354-357,
D7/359-361, 393-395; D8/107, 307, 300;
16/430, 431, 110.1, 407; 220/573.1-573.5,
220/752, 753, 755-757, 759; D4/129, 138
See application file for complete search history.

(56) **References Cited**

U.S. PATENT DOCUMENTS

D262,551 S * 1/1982 Argandona D8/307
D348,178 S * 6/1994 Munari D7/394
D391,444 S * 3/1998 Munari D7/394
D410,817 S * 6/1999 Brunianyn D7/393
D461,092 S * 8/2002 Coudurier D7/393

D461,094 S * 8/2002 Coudurier D7/394
D462,570 S * 9/2002 Munari D7/394
D470,011 S * 2/2003 Munari D7/394
D496,557 S * 9/2004 Munari D7/394
D505,268 S * 5/2005 Potempa D4/129

* cited by examiner

Primary Examiner—Holly H. Baynham

Assistant Examiner—Cynthia M. Chin

(74) *Attorney, Agent, or Firm*—Lieberman & Brandsdorfer, LLC

(57) **CLAIM**

The ornamental design for a saucepan handle, as shown and described.

DESCRIPTION

FIG. 1 is a top view of my new design relating to a saucepan handle;

FIG. 2 is a front view thereof;

FIG. 2 is a side view thereof (the opposite side view being symmetrical);

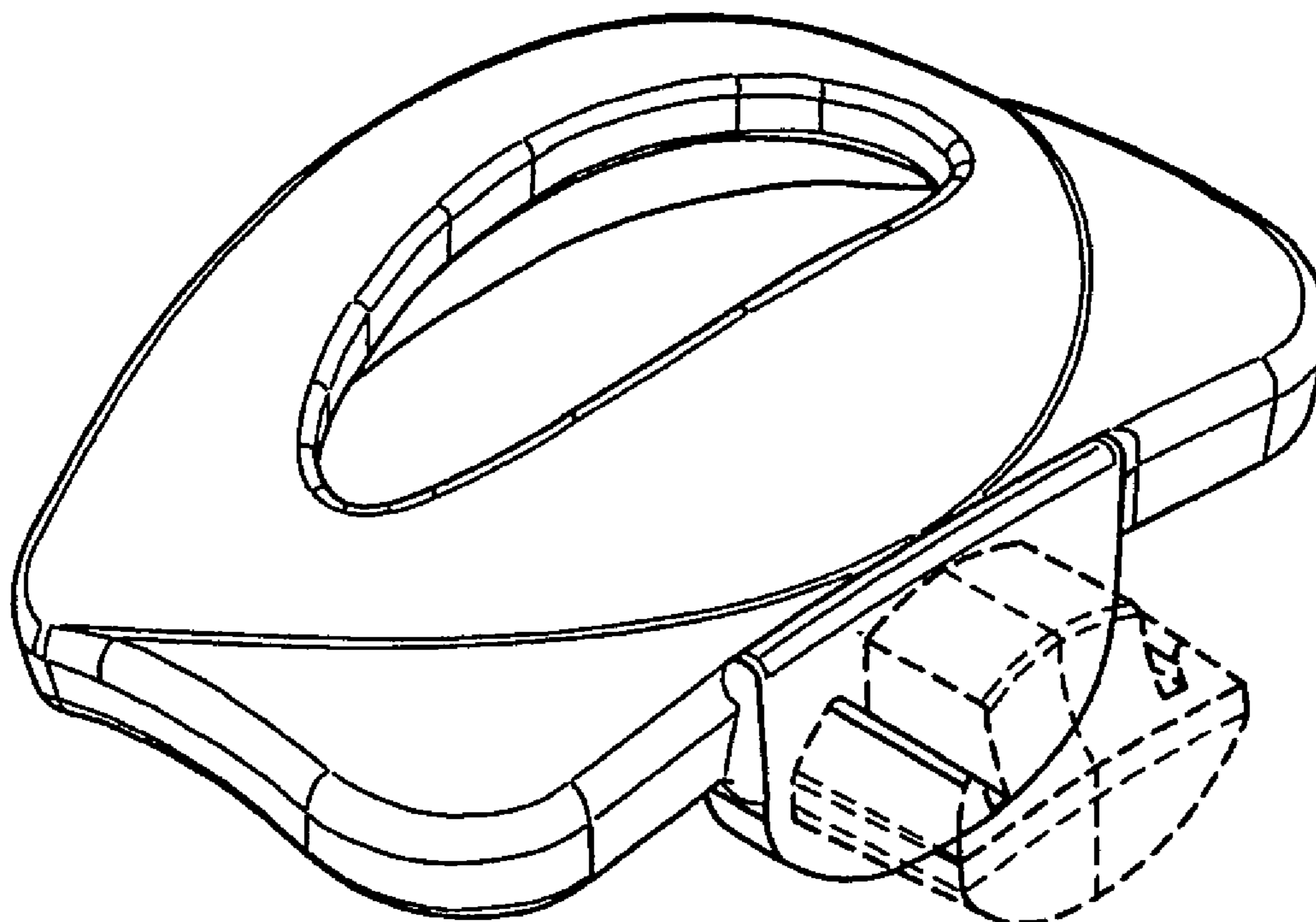
FIG. 4 is a bottom view thereof;

FIG. 5 is a rear view thereof; and,

FIG. 6 is a top/side perspective view thereof.

The broken lines are for illustrative purposes only and form no part of the claimed design.

1 Claim, 2 Drawing Sheets



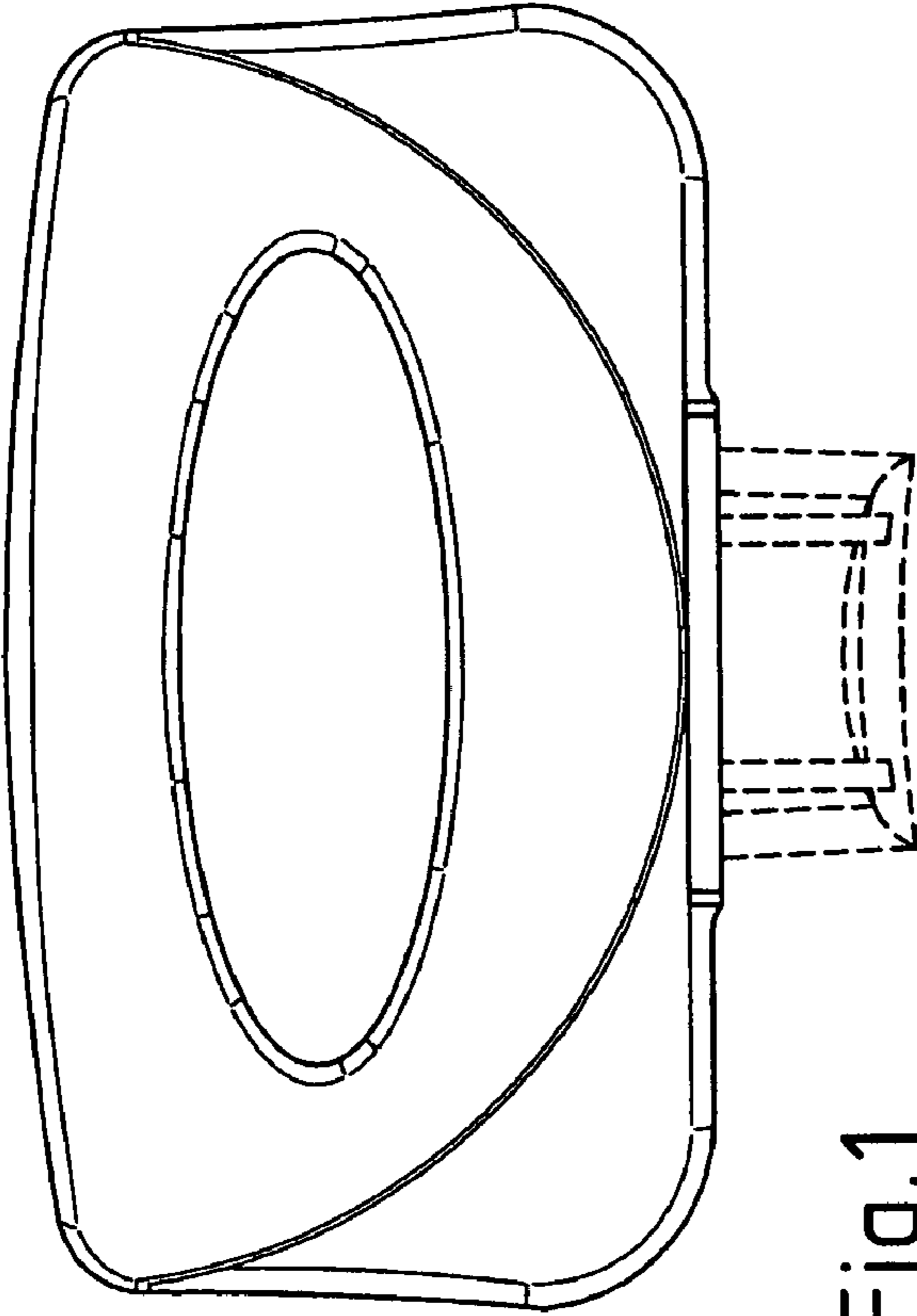


Fig.1

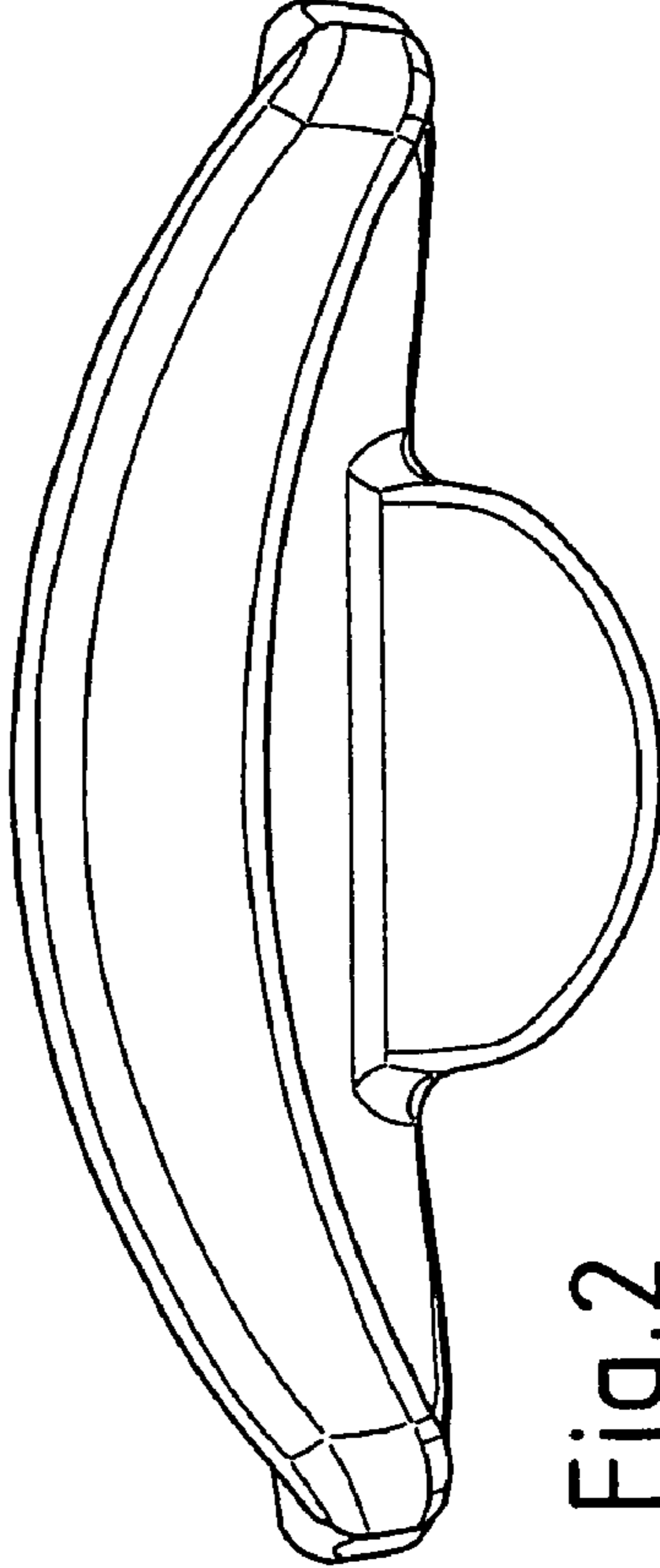


Fig.2

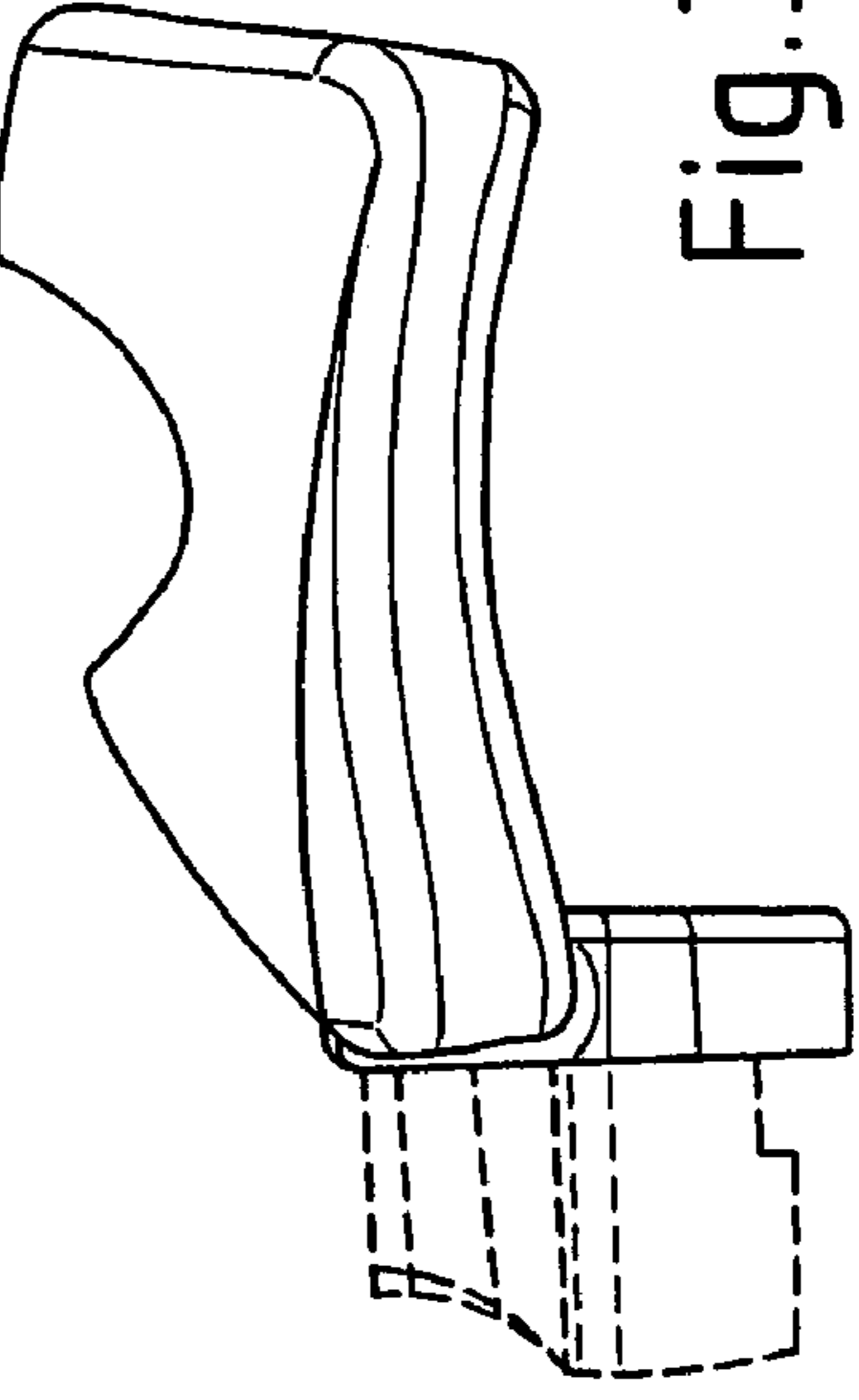


Fig.3

Fig.4

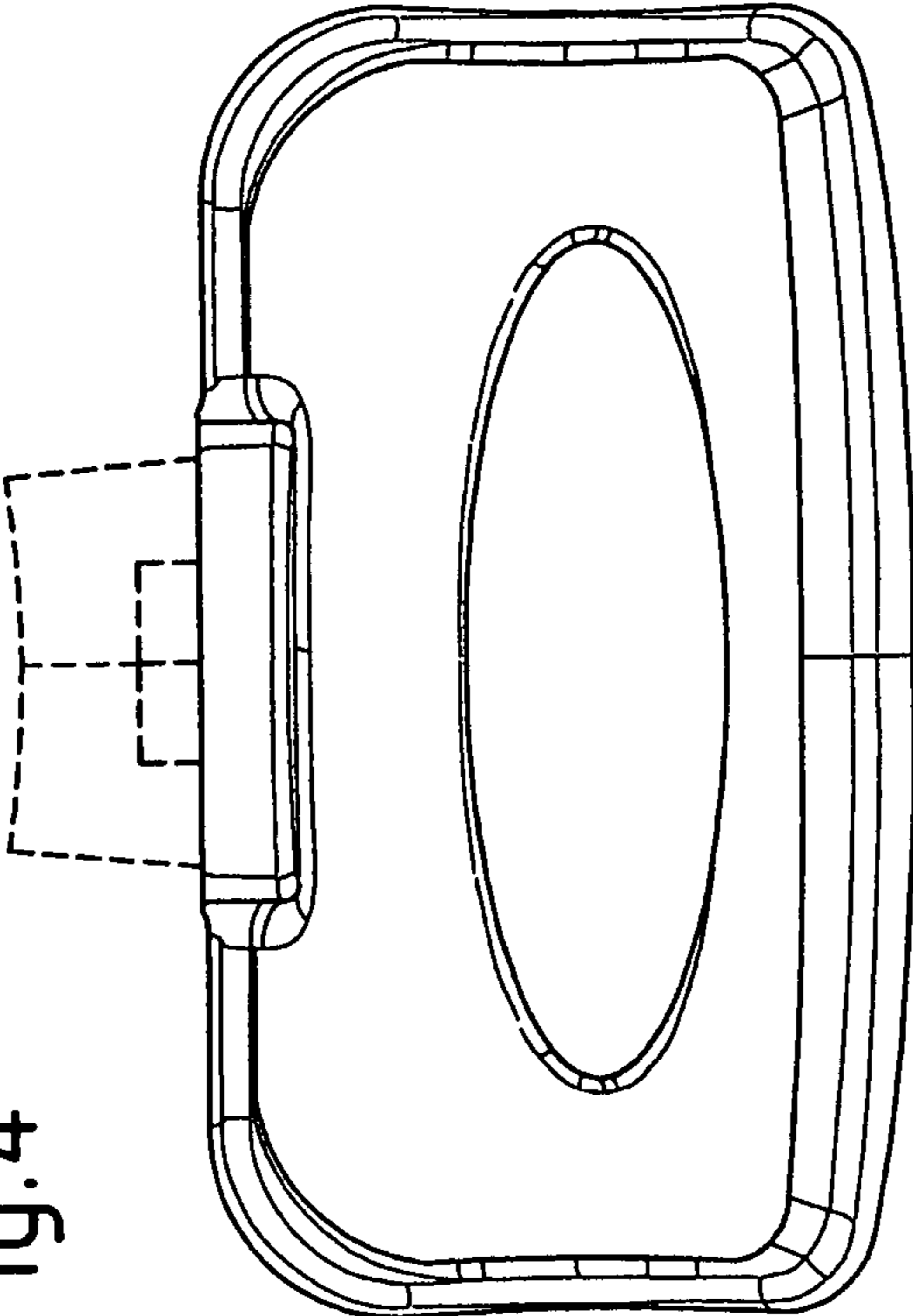


Fig.5

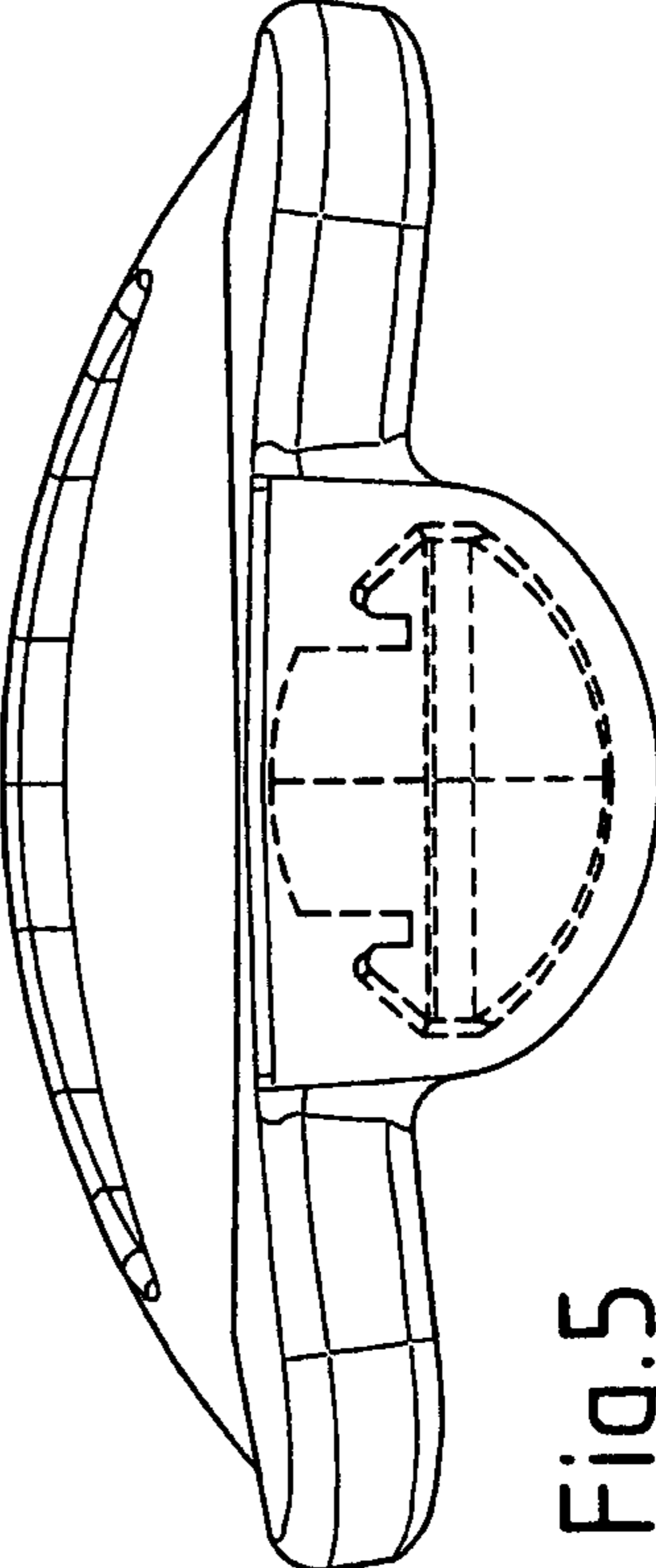


Fig.6

