

US00D561522S

(12) **United States Design Patent**  
**Gordon**

(10) **Patent No.:** **US D561,522 S**

(45) **Date of Patent:** **\*\* \*Feb. 12, 2008**

(54) **CONTAINER LID WITH ANTI-SPILL SPOUT**

(76) Inventor: **Antoinette Gordon**, 13910 Falkirk,  
Grandview, MO (US) 64030

(\*) Notice: This patent is subject to a terminal disclaimer.

(\*\*) Term: **14 Years**

(21) Appl. No.: **29/239,613**

(22) Filed: **Sep. 30, 2005**

**Related U.S. Application Data**

(63) Continuation of application No. 10/642,784, filed on Aug. 18, 2003, now abandoned.

(51) **LOC (8) Cl.** ..... **07-02**

(52) **U.S. Cl.** ..... **D7/392**

(58) **Field of Classification Search** ..... D7/300,  
D7/302, 316, 317, 392, 392.1, 507, 509, 510,  
D7/602, 619.1; D9/434-436, 439, 440, 517,  
D9/529; 222/1, 92, 96, 178, 465.1, 490, 498,  
222/500, 566, 567, 570, 571; 220/603, 360;  
215/200

See application file for complete search history.

(56) **References Cited**

**U.S. PATENT DOCUMENTS**

D165,778 S	1/1952	Olsen	
2,816,548 A	12/1957	Tupper	
4,243,156 A *	1/1981	Lobbestael	222/541.6
4,756,440 A	7/1988	Gartner	
4,828,141 A	5/1989	Coy	
5,186,347 A	2/1993	Freeman	
5,253,781 A	10/1993	Van Melle et al.	
5,294,018 A *	3/1994	Boucher	220/603
5,363,983 A	11/1994	Proshan	
5,366,109 A	11/1994	Proshan	
D359,417 S	6/1995	Chen	
5,433,338 A	7/1995	Proshan	
5,542,670 A	8/1996	Morano	
D407,269 S *	3/1999	Fletcher	D7/510
5,890,621 A	4/1999	Bachman et al.	
5,988,425 A	11/1999	Yehl et al.	
D417,591 S *	12/1999	Roehrig	D7/510
D429,443 S *	8/2000	D'Alessio	D7/392.1

D430,455 S *	9/2000	Pickens	D7/392.1
6,112,926 A	9/2000	Fishman	
D452,415 S *	12/2001	McDonough et al.	D7/510
D457,778 S *	5/2002	Randolph et al.	D7/392.1
D460,322 S *	7/2002	Orr et al.	D7/510
D467,500 S *	12/2002	Cudmore et al.	D9/435
6,523,712 B1	2/2003	McGushion	
D476,849 S *	7/2003	Randolph	D7/510
D476,850 S *	7/2003	Featherston et al.	D7/510
D489,225 S *	5/2004	Leinenweber	D7/510
6,758,364 B1 *	7/2004	Rohrig	220/714
D495,558 S *	9/2004	Tollman	D7/510
D497,512 S *	10/2004	Randolph	D7/392.1
D501,361 S *	2/2005	Tollman	D7/510

\* cited by examiner

*Primary Examiner*—Holly Baynham

*Assistant Examiner*—Cynthia M. Chin

(74) *Attorney, Agent, or Firm*—Mark E. Brown

(57) **CLAIM**

The ornamental design for a container lid with anti-spill spout, as shown and described.

**DESCRIPTION**

FIG. 1 is an upper, front, left side perspective view of a container lid showing my new design;

FIG. 2 is a top plan view thereof;

FIG. 3 is a bottom plan view thereof;

FIG. 4 is a left side elevational view thereof; the right side is a mirror image thereof;

FIG. 5 is a front elevational view thereof;

FIG. 6 is a rear side elevational view thereof;

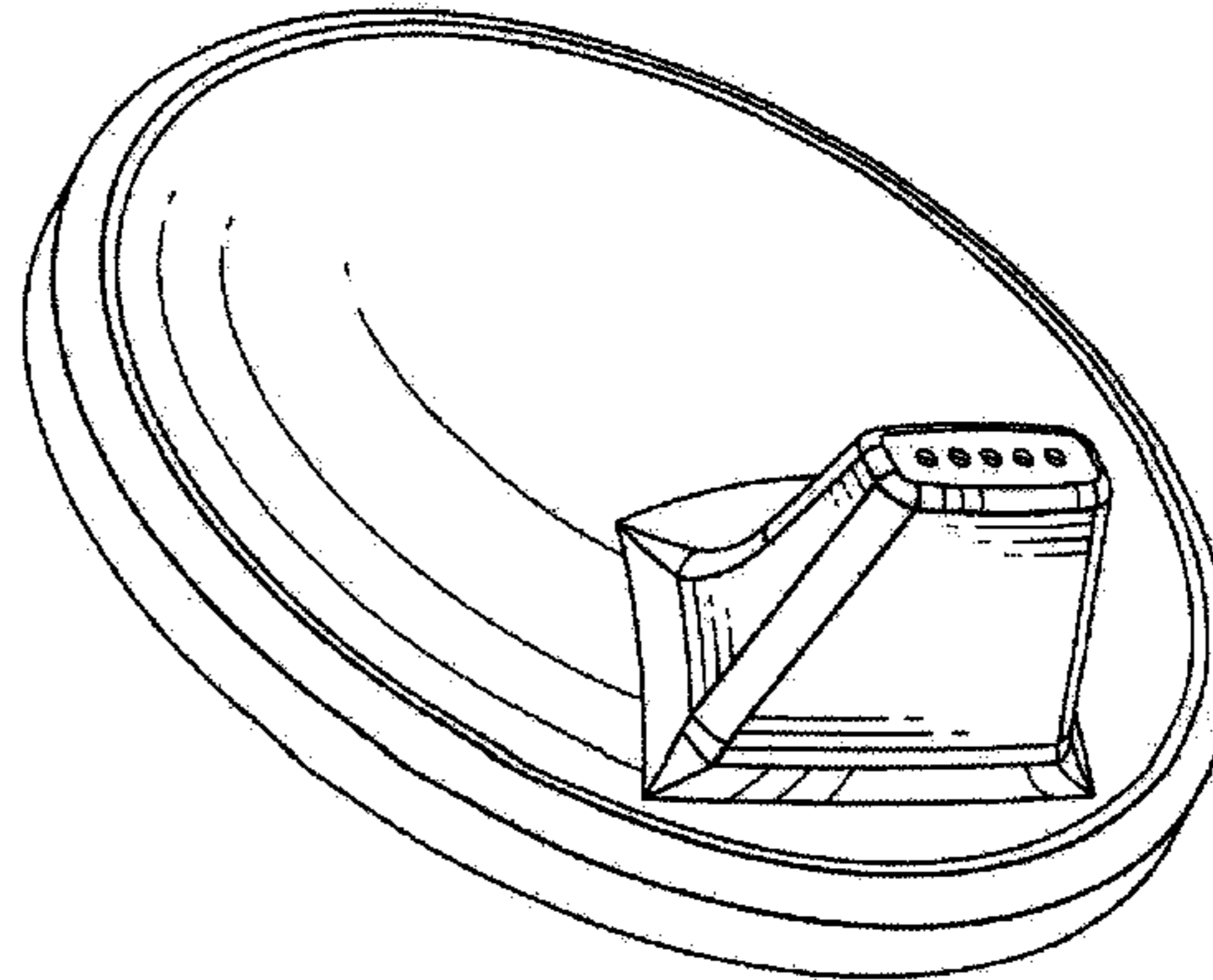
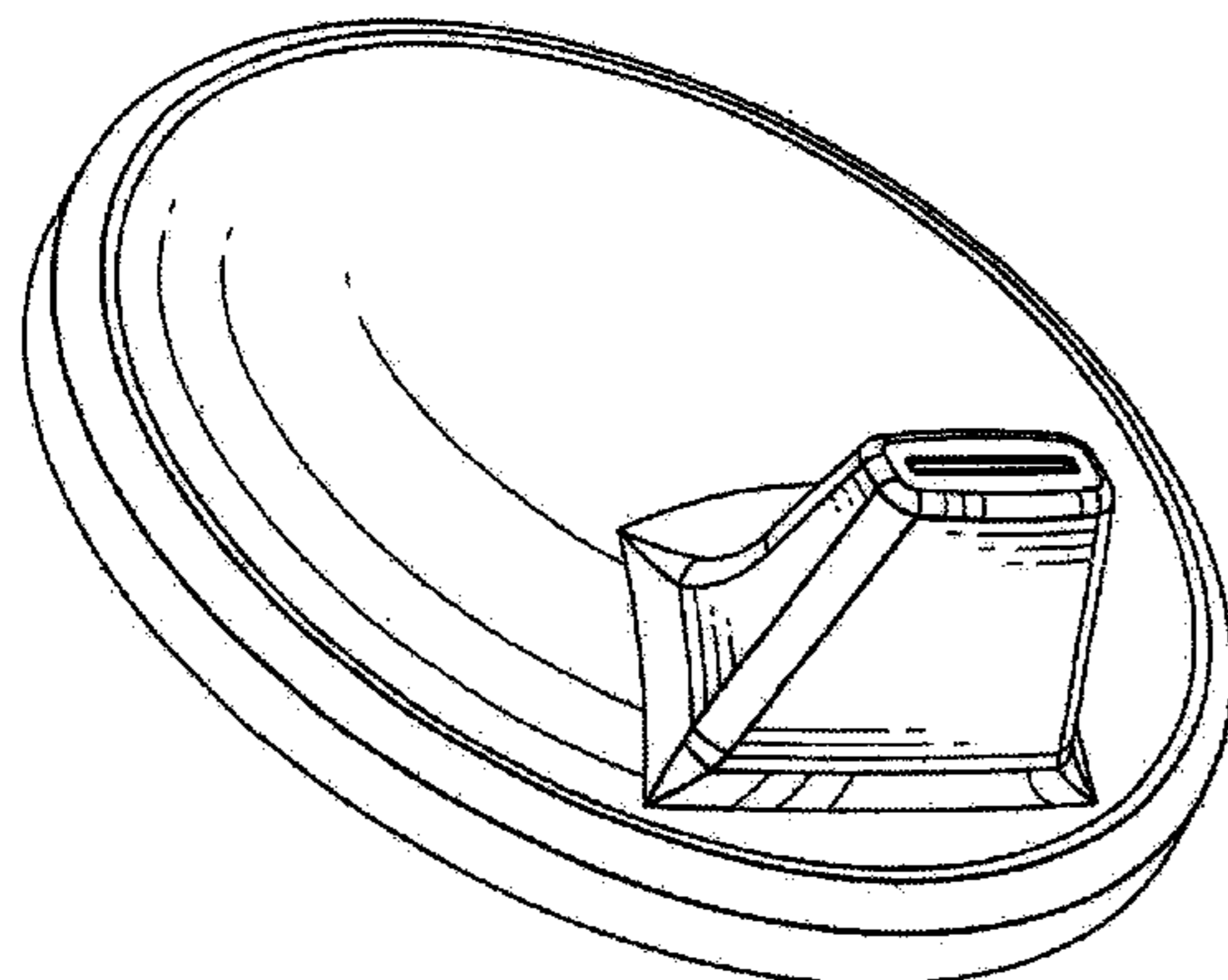
FIG. 7 is a cross-sectional view of FIG. 2 taken along the lines 7—7 showing two container lids in a nested configuration;

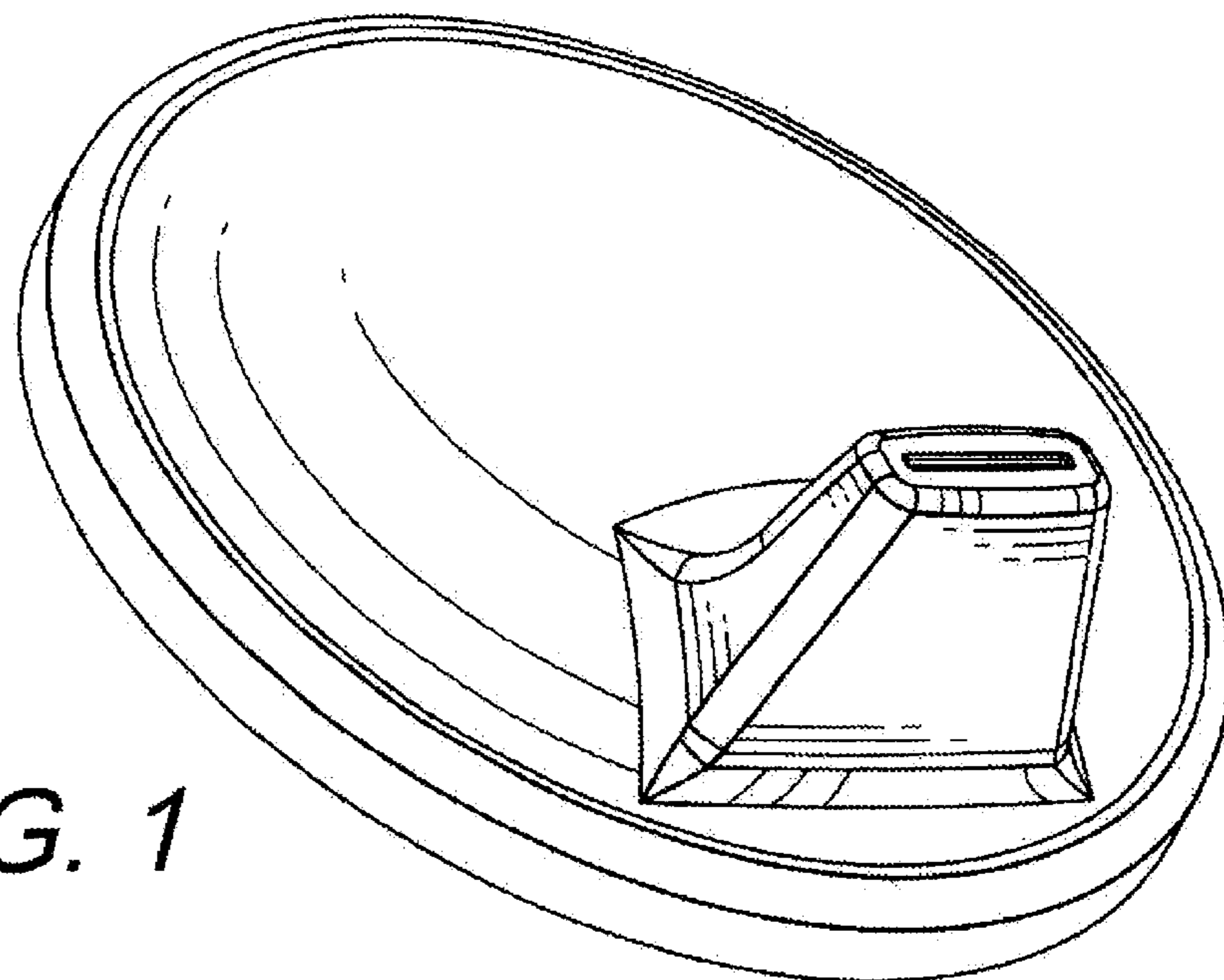
FIG. 8 is a left side elevational view thereof; the broken lines show the lid mounted on a cup; and,

FIG. 9 is an upper, front, left side perspective view of a container lid showing an alternative embodiment of my new design.

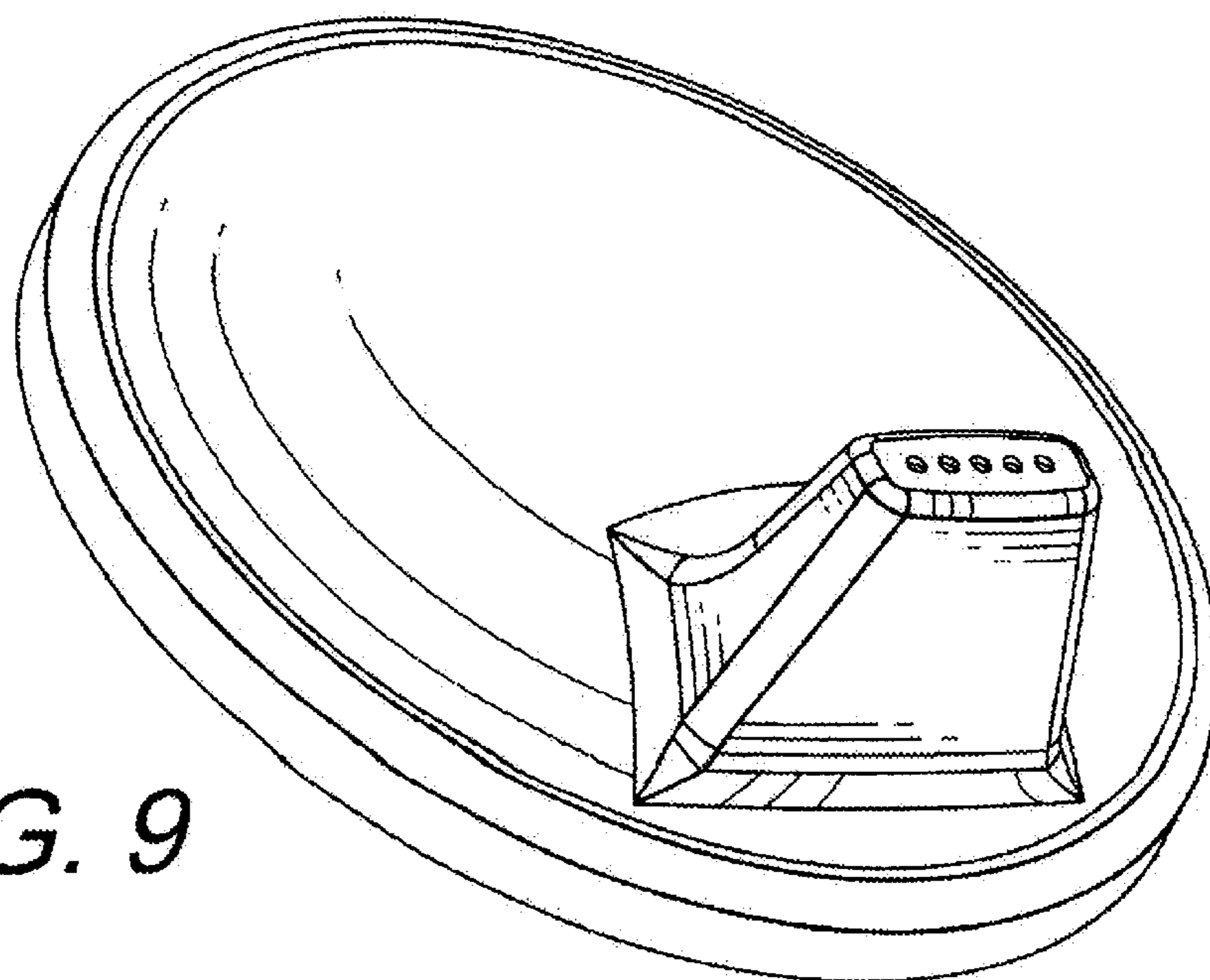
The broken lines are for illustrative purposes only and form no part of the claimed design.

**1 Claim, 5 Drawing Sheets**

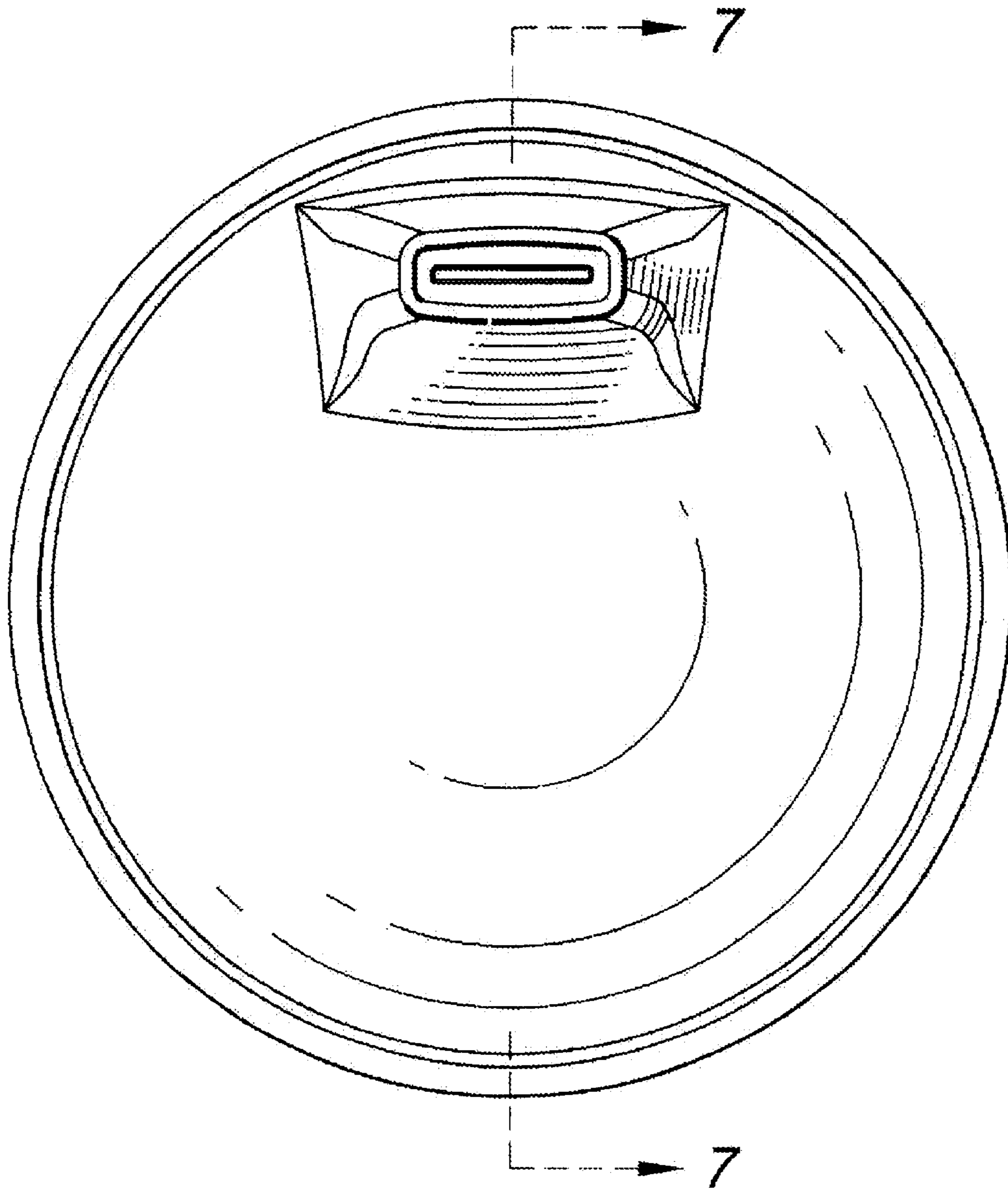




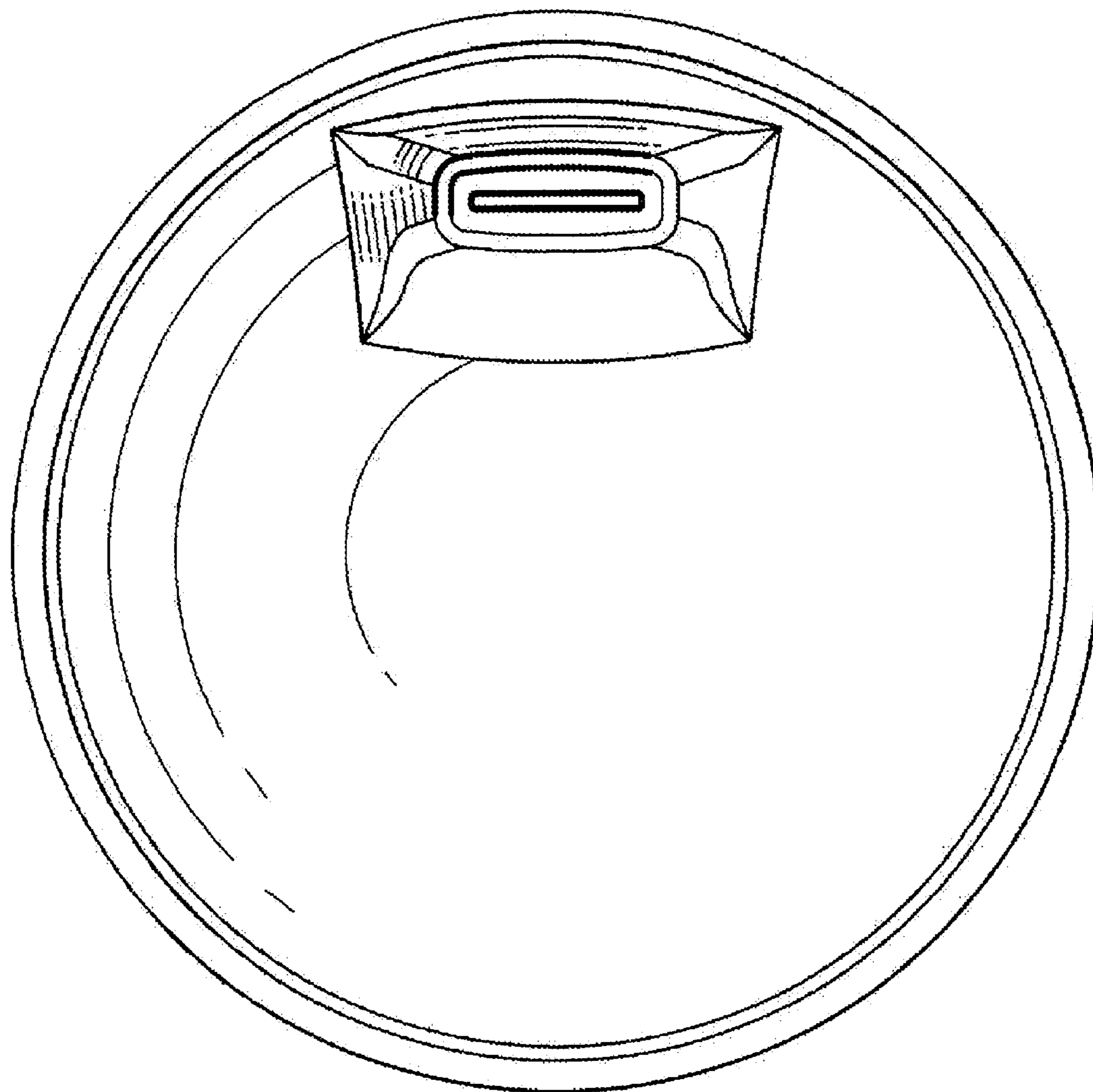
*FIG. 1*



*FIG. 9*

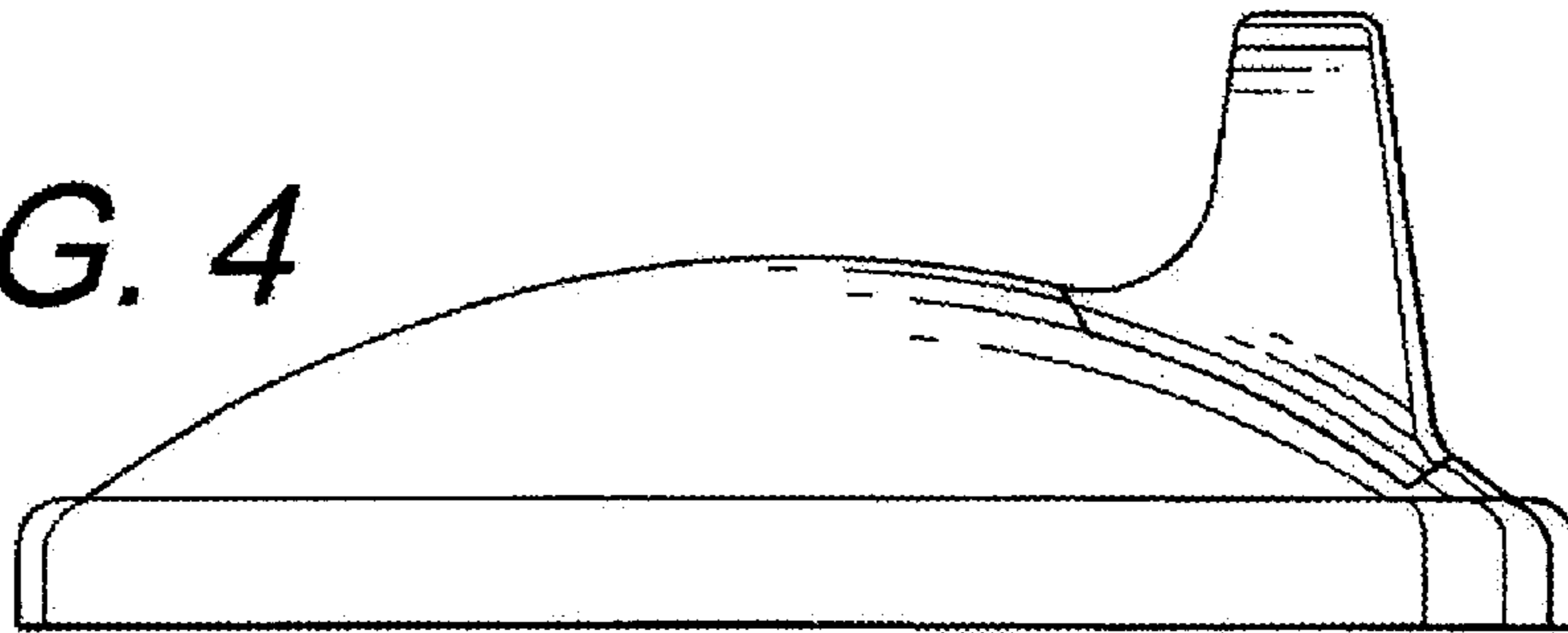


**FIG. 2**

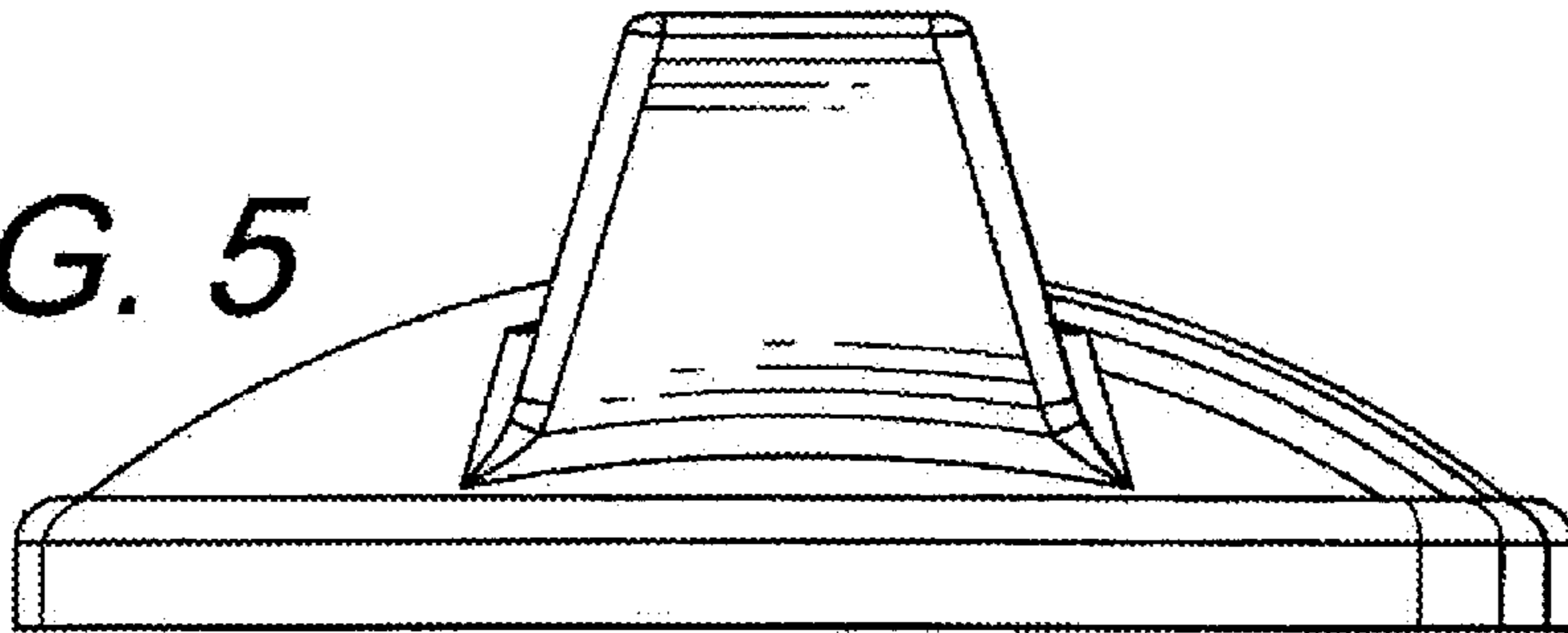


*FIG. 3*

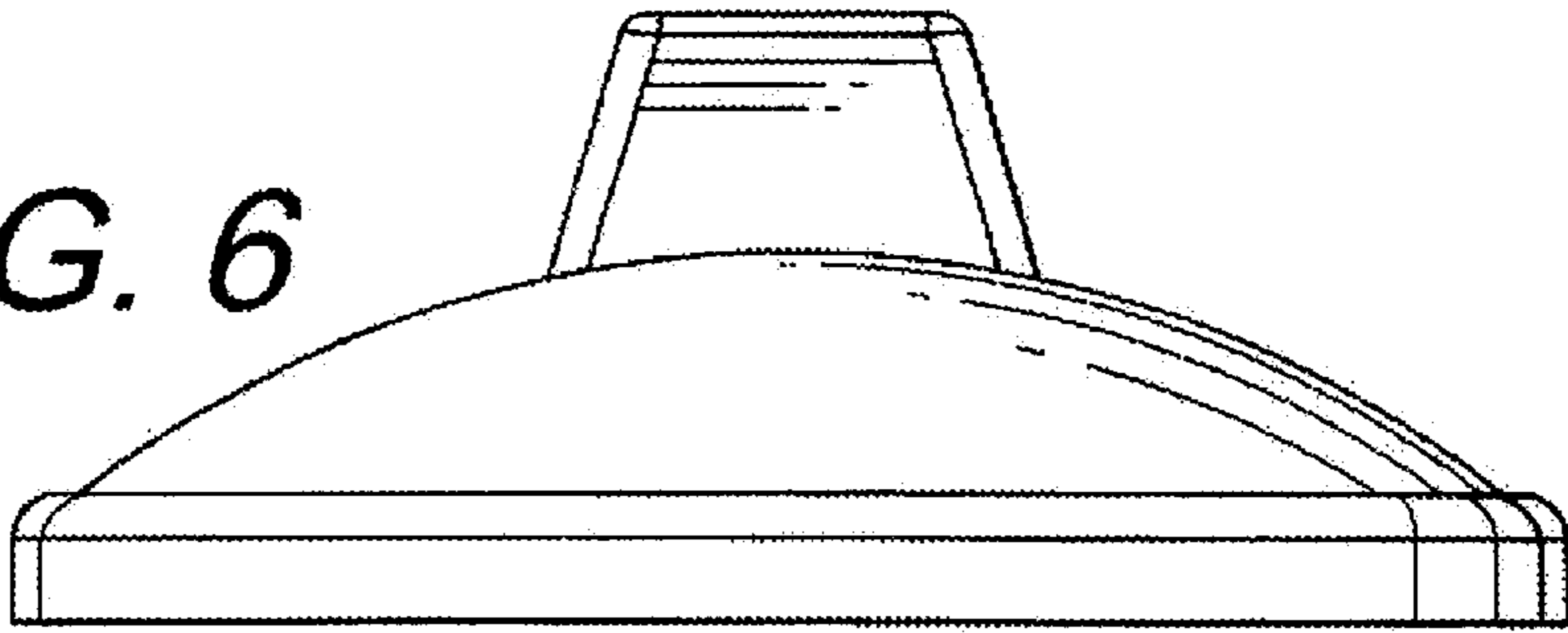
**FIG. 4**



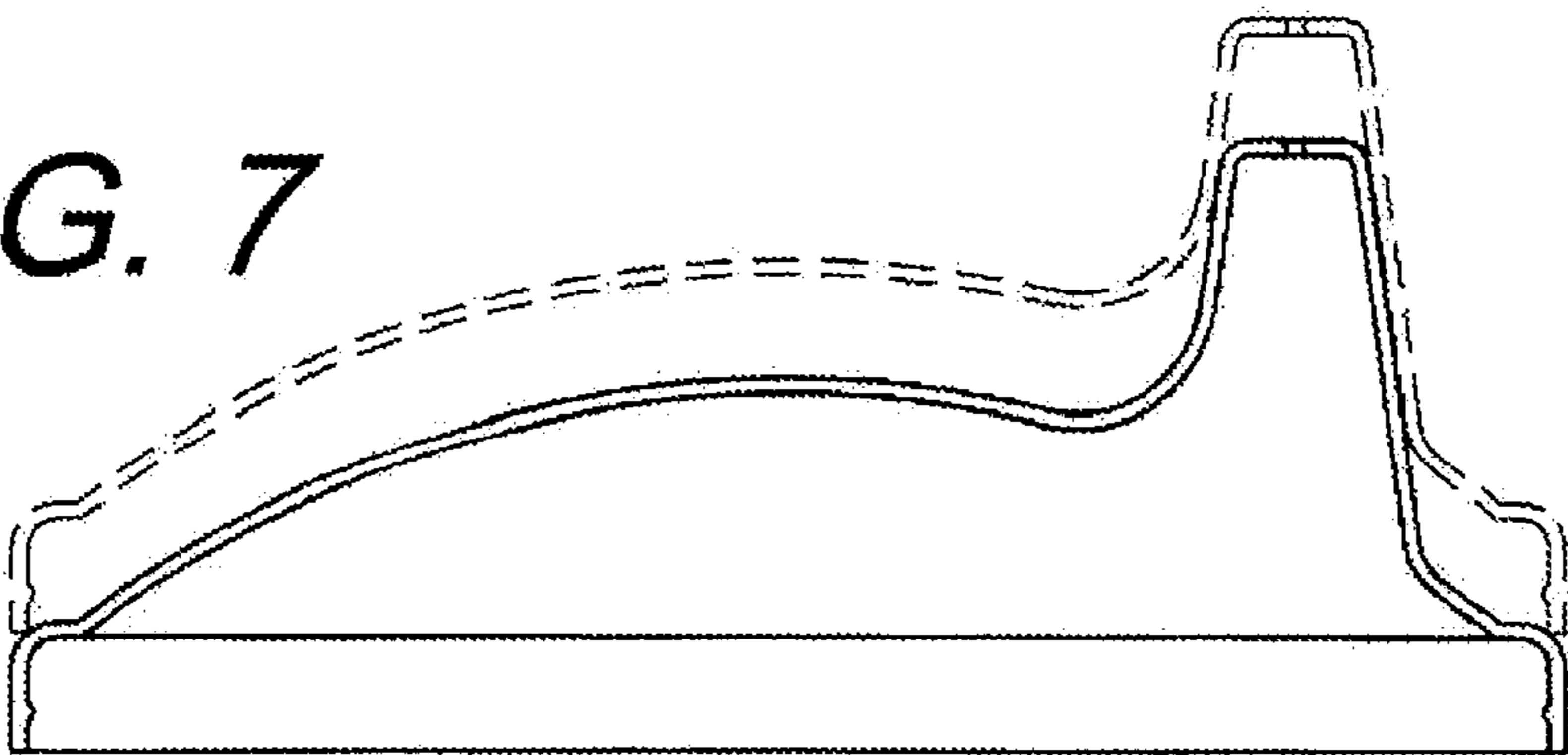
**FIG. 5**

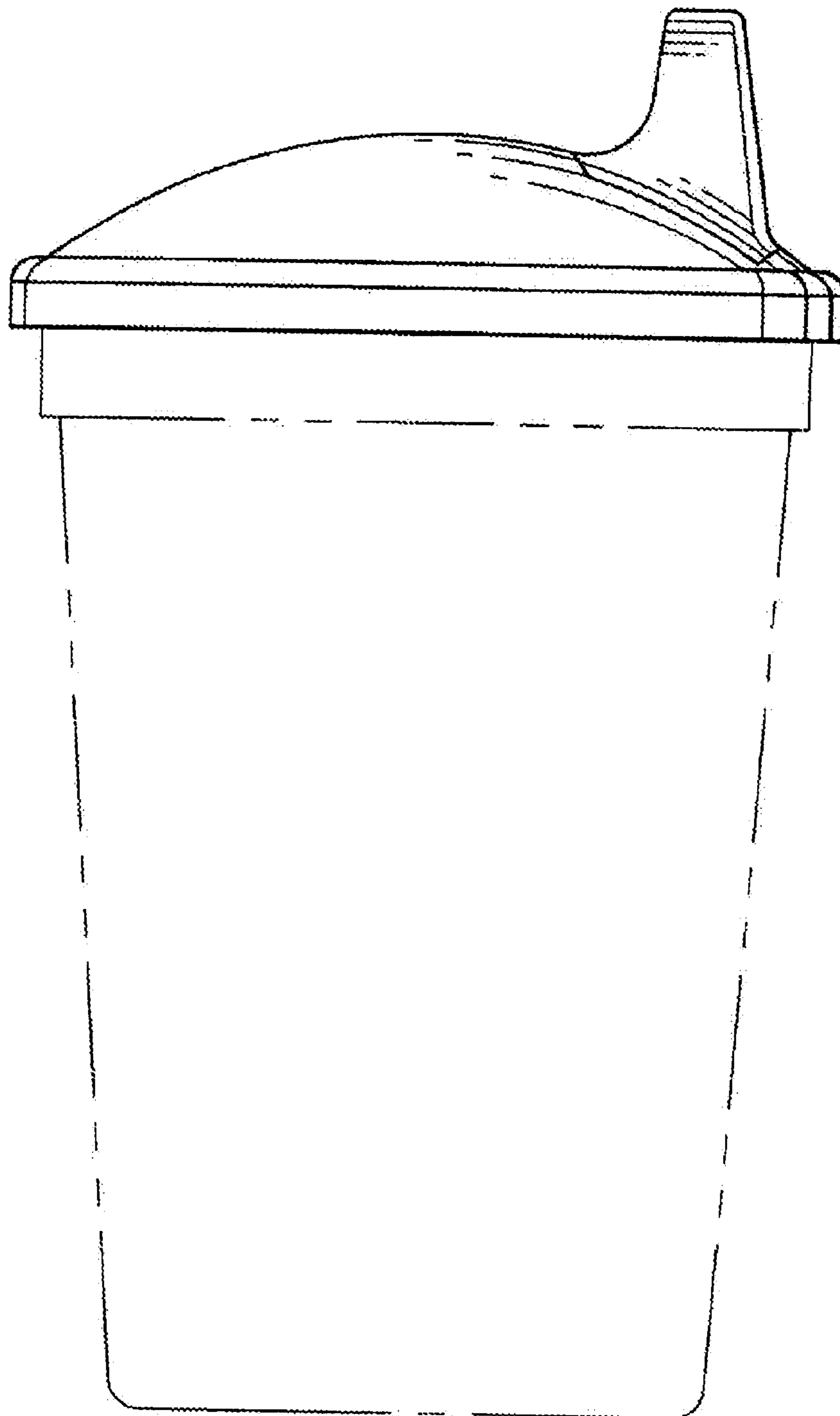


**FIG. 6**



**FIG. 7**





**FIG. 8**