

US00D561519S

(12) **United States Design Patent**
Ranzoni

(10) **Patent No.:** **US D561,519 S**

(45) **Date of Patent:** **** Feb. 12, 2008**

(54) **EQUIPMENT FOR THE PREPARATION OF
HOT BEVERAGES**

D534,027 S * 12/2006 Huang D7/317
D548,510 S * 8/2007 Huang D7/318

(75) Inventor: **Francesco Ranzoni**, Coccaglio (IT)

* cited by examiner

(73) Assignee: **Bialetti Industries S.p.A.** (IT)

Primary Examiner—Marianne N Pandozzi

(**) Term: **14 Years**

(74) *Attorney, Agent, or Firm*—Hogan & Hartson LLP

(21) Appl. No.: **29/261,808**

(57) **CLAIM**

(22) Filed: **Jun. 21, 2006**

The ornamental design for equipment for the preparation of hot beverages, as shown and described.

(51) **LOC (8) Cl.** **07-01**

DESCRIPTION

(52) **U.S. Cl.** **D7/317; D7/318**

FIG. 1 is a perspective view of the equipment for the preparation of hot beverages;

(58) **Field of Classification Search** D7/300,
D7/316–319; 219/441, 435; 99/303, 281,
99/323.3, 310; 222/131, 470; 215/12.1;
220/578

FIG. 2 is a right side view of the equipment for the preparation of hot beverages;

See application file for complete search history.

FIG. 3 is a left side view of the equipment for the preparation of hot beverages;

(56) **References Cited**

FIG. 4 is a front view of the equipment for the preparation of hot beverages;

U.S. PATENT DOCUMENTS

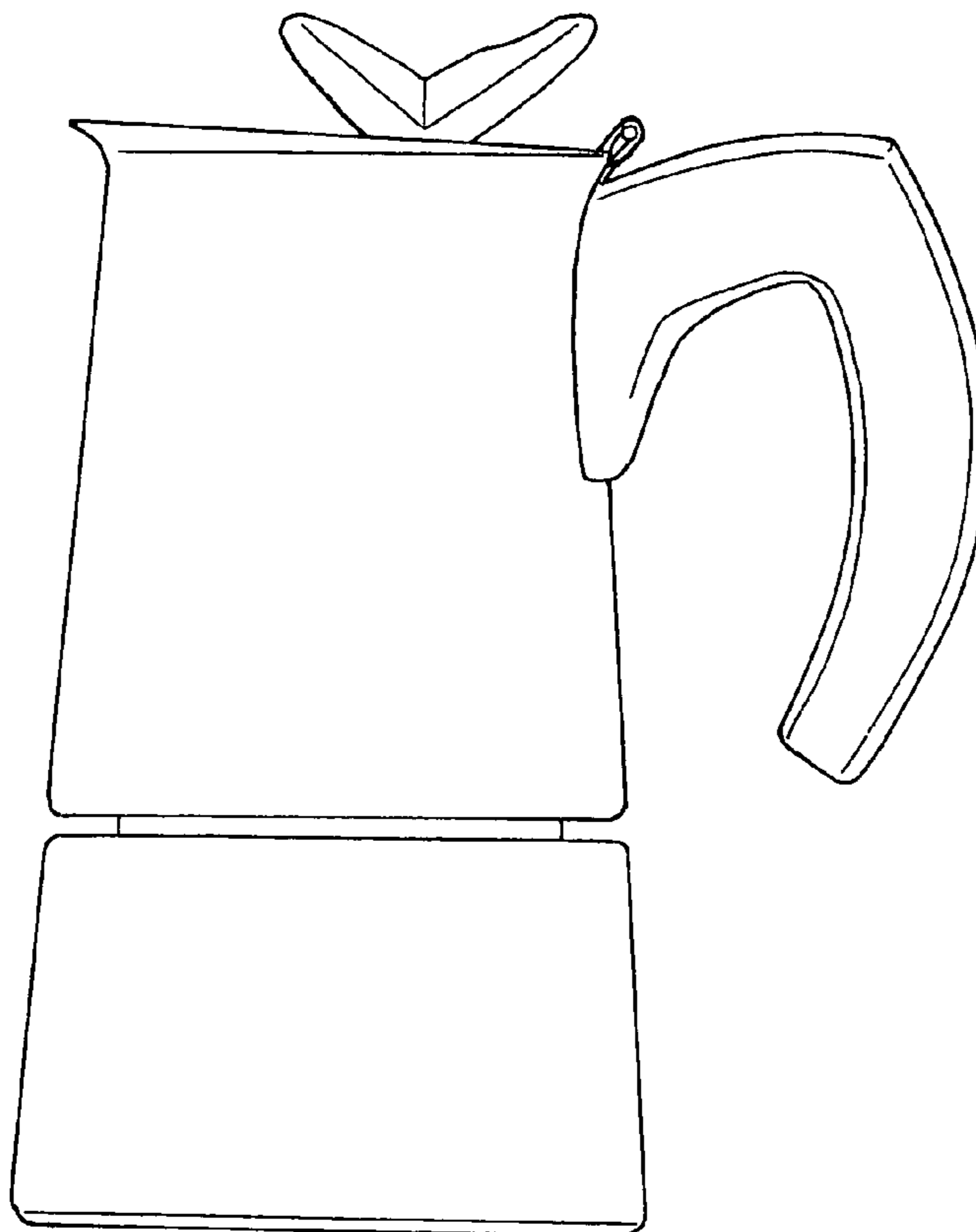
FIG. 5 is a back view of the equipment for the preparation of hot beverages;

D217,734 S *	6/1970	Abramson	D7/317
D221,796 S *	9/1971	Greger	D7/317
D232,411 S *	8/1974	Douglas	D7/317
3,969,610 A *	7/1976	Ratti et al.	219/441
4,498,375 A *	2/1985	Bedini	99/303
D478,766 S *	8/2003	Questelles	D7/321
D488,340 S *	4/2004	Zimmermann	D7/318
D527,940 S *	9/2006	Cohen	D7/318

FIG. 6 is a top view of the equipment for the preparation of hot beverages; and,

FIG. 7 is a bottom view of the equipment for the preparation of hot beverages.

1 Claim, 7 Drawing Sheets



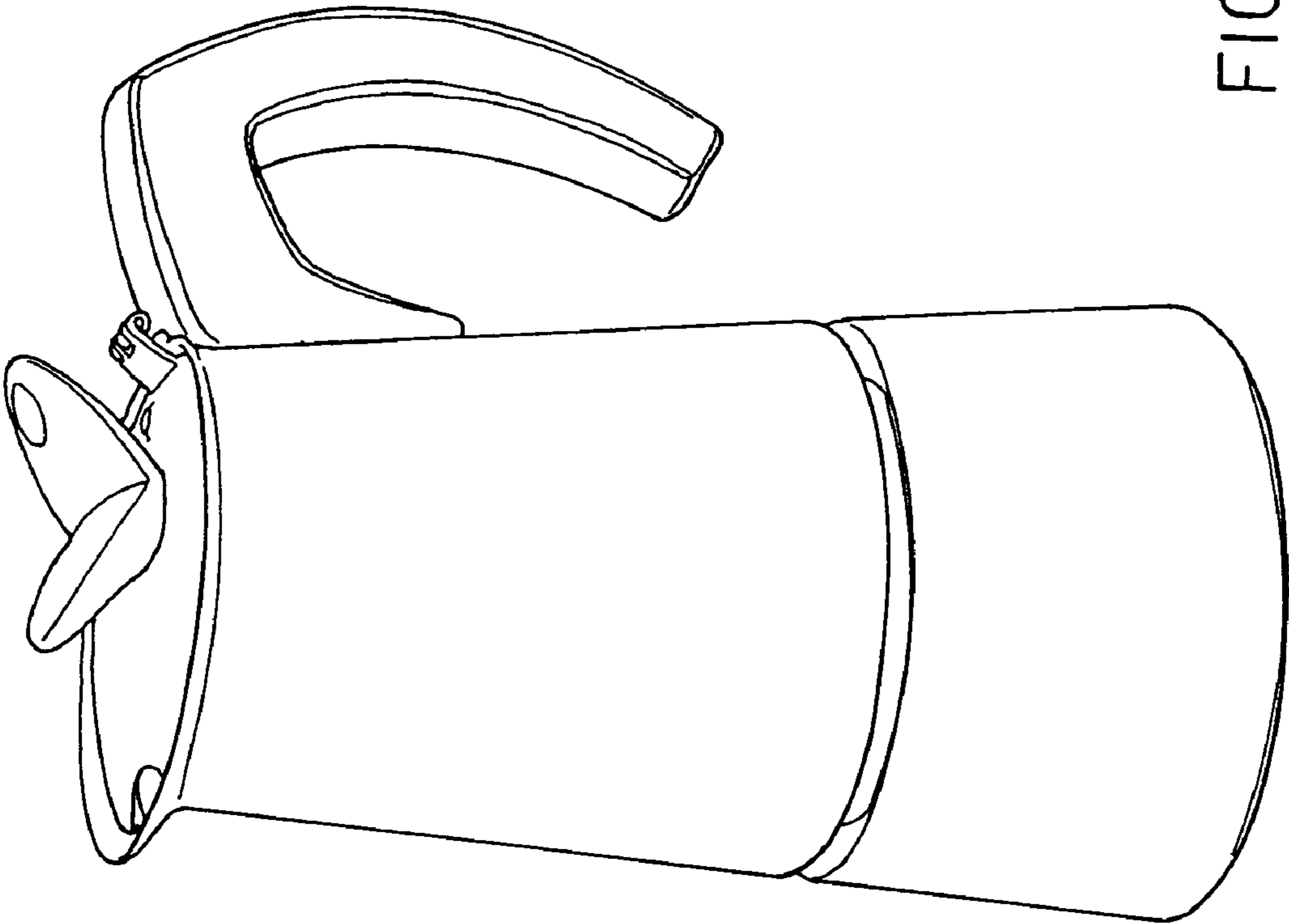


FIG.1

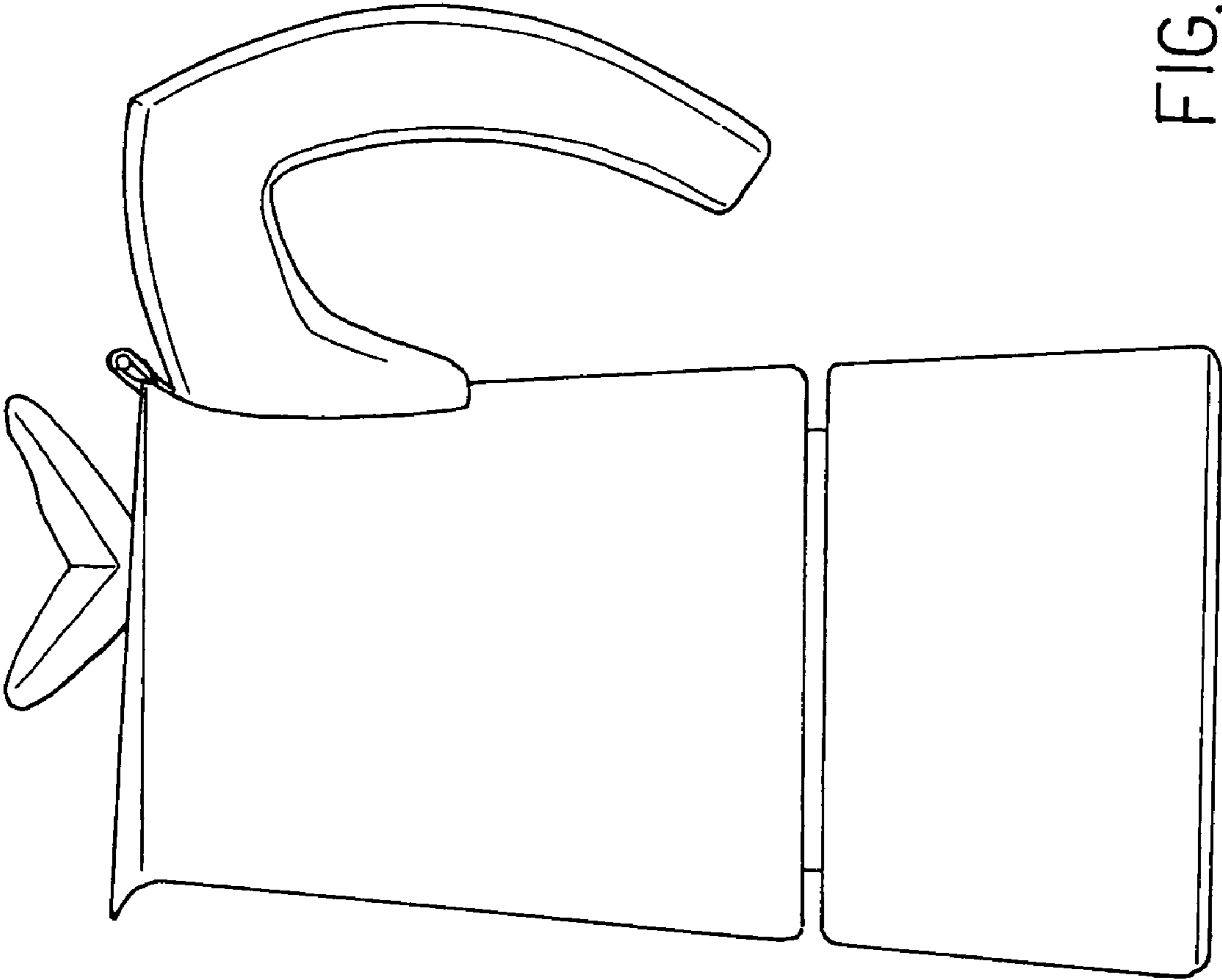


FIG. 2

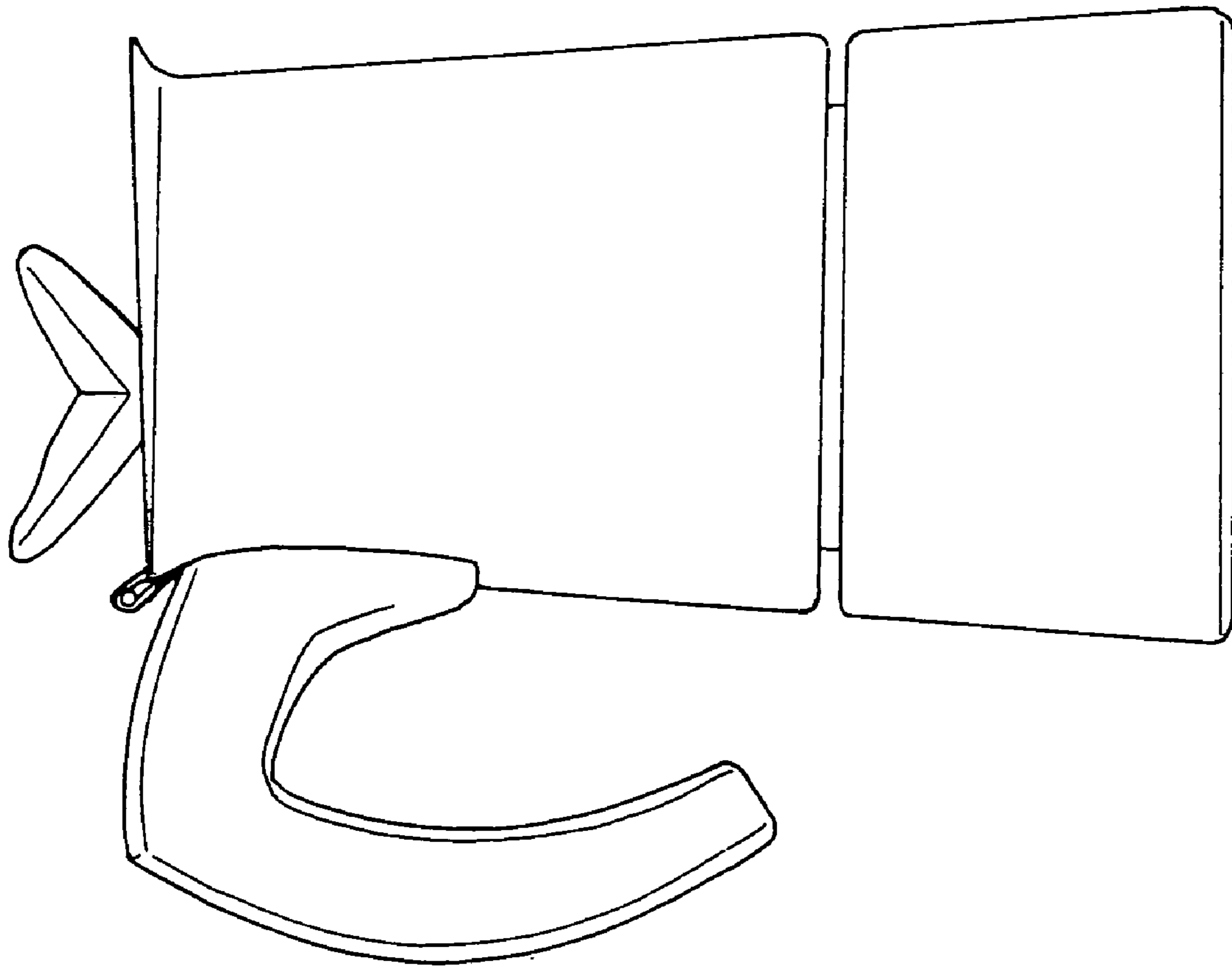


FIG. 3

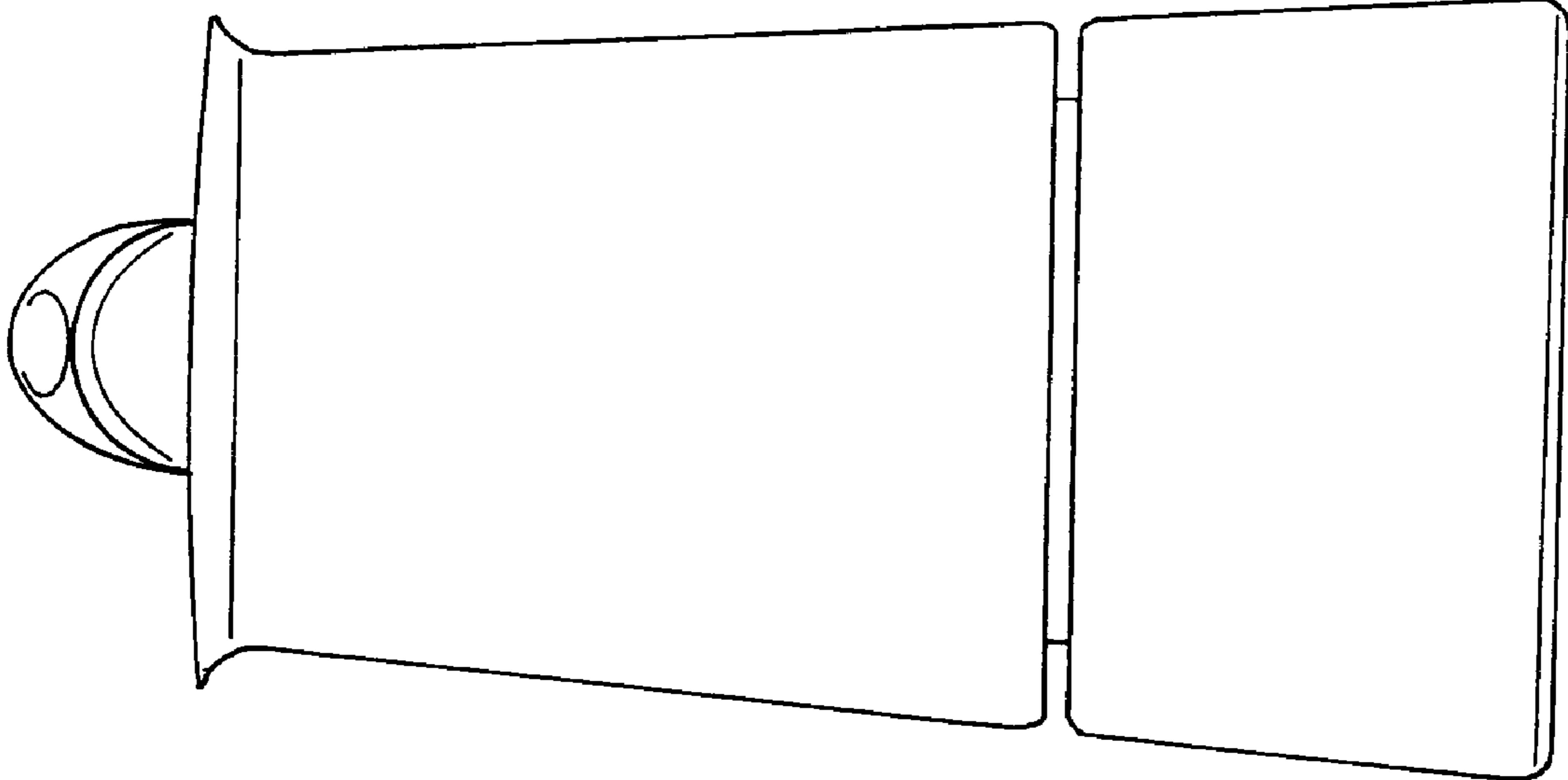


FIG. 4

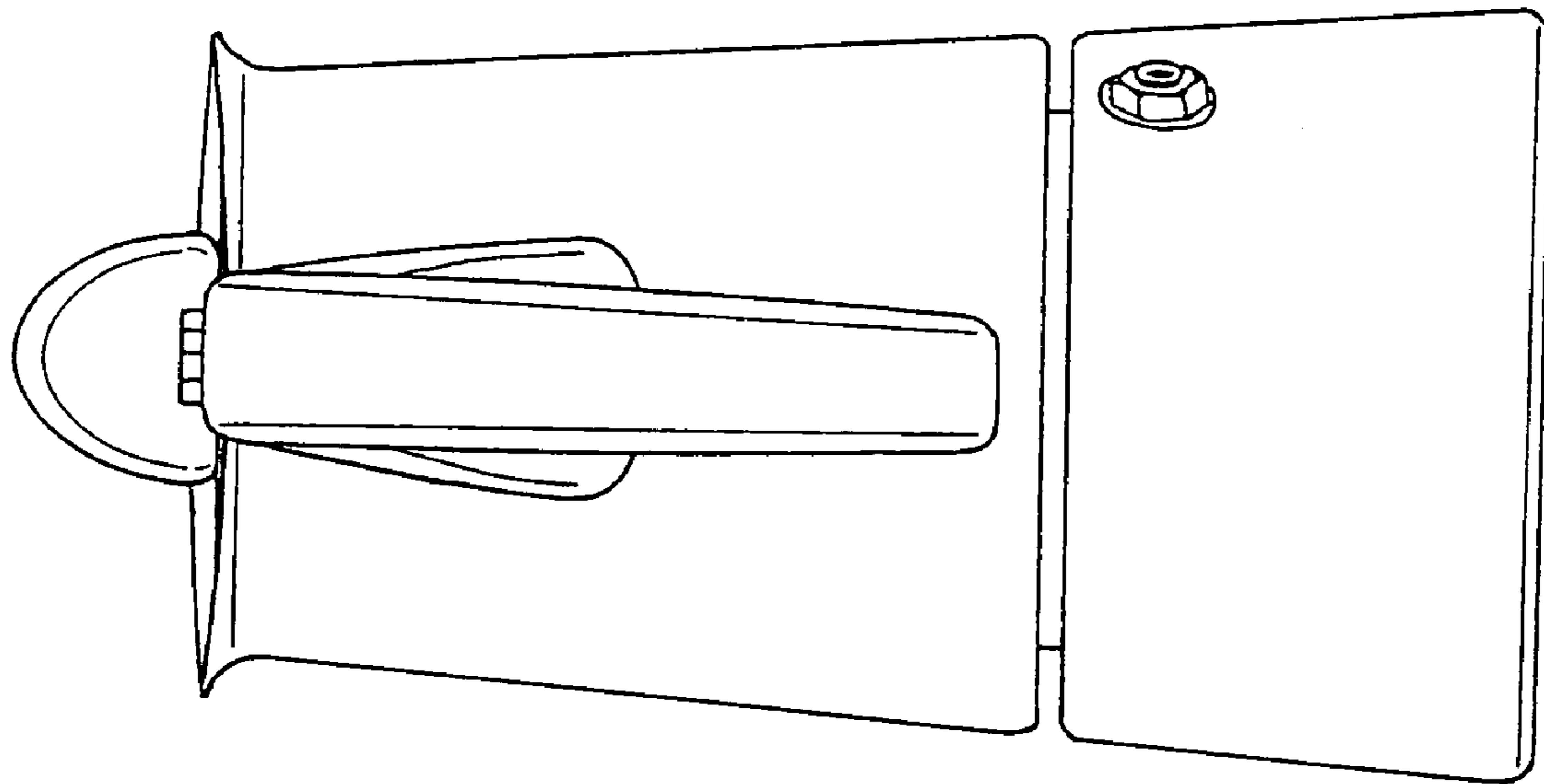


FIG. 5

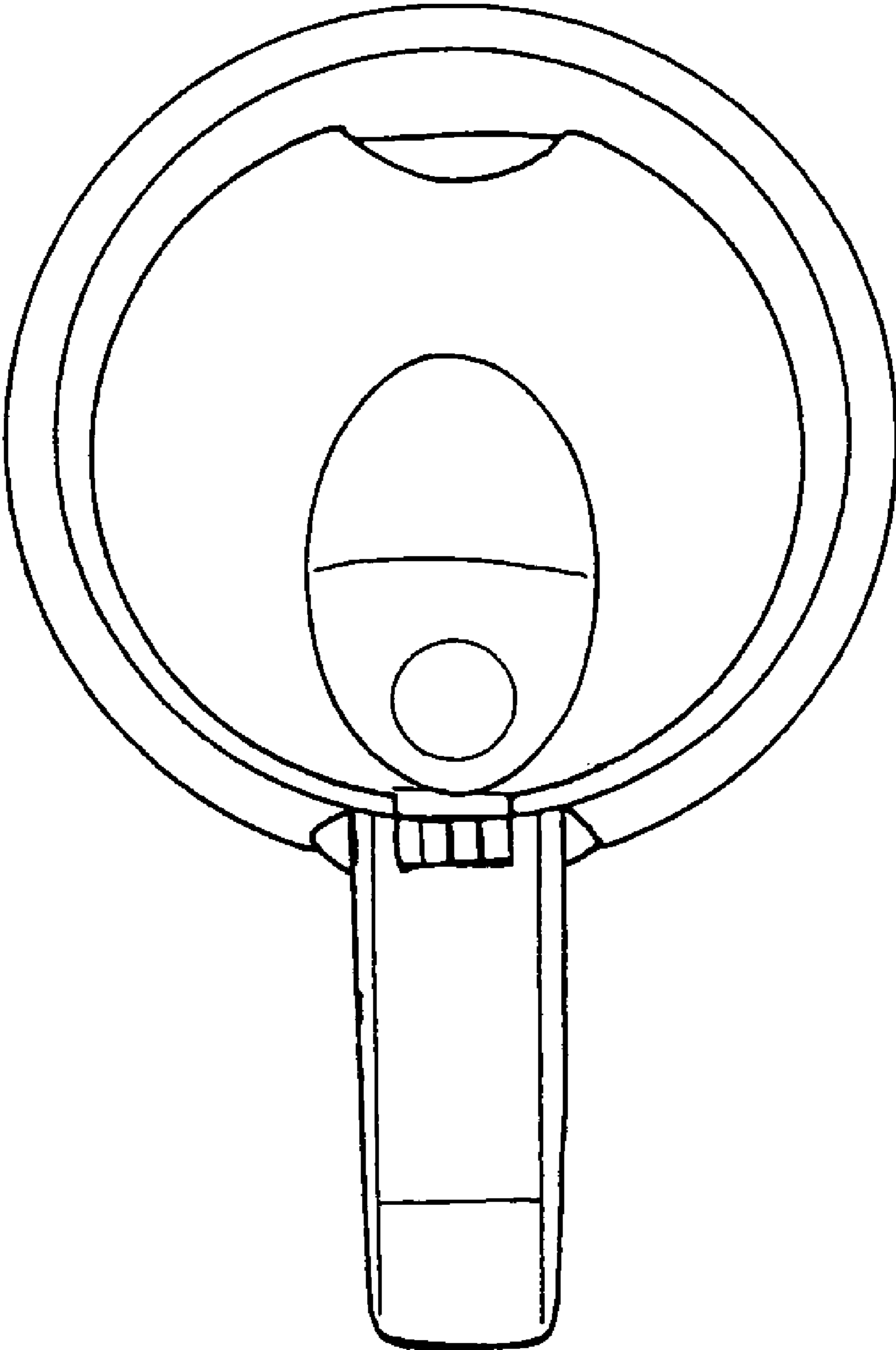


FIG. 6

FIG. 7

