



US00D561518S

(12) **United States Design Patent** (10) **Patent No.:** **US D561,518 S**
Borin et al. (45) **Date of Patent:** **** Feb. 12, 2008**

(54) **COFFEE MACHINE**

6,532,862 B2 * 3/2003 Mork et al. 99/302 C
D479,089 S * 9/2003 Yao D7/311
D543,770 S * 6/2007 Ye D7/309

(75) Inventors: **Giacomo Borin**, Pordenone (IT); **Dario De Pra'**, Mirano (IT)

FOREIGN PATENT DOCUMENTS

(73) Assignee: **De'Longhi S.p.A.**, Treviso (IT)

DE 103 35 824 3/2005
EP 0 079 235 5/1983

(**) Term: **14 Years**

OTHER PUBLICATIONS

(21) Appl. No.: **29/285,225**

Co-pending U.S. Appl. No. 29/276,203, filed Oct. 6, 2006.
Co-pending U.S. Appl. No. 29/276,202, filed Oct. 6, 2006.
Co-pending U.S. Appl. No. 29/276,201, filed Oct. 6, 2006.
Co-pending U.S. Appl. No. 29/285,190, filed Mar. 23, 2007.

(22) Filed: **Mar. 23, 2007**

(30) **Foreign Application Priority Data**

Sep. 26, 2006 (EM) 000594403

* cited by examiner

(51) **LOC (8) Cl.** **07-01**

Primary Examiner—Marianne Pandozzi

(52) **U.S. Cl.** **D7/309; D7/310; D7/311**

(74) *Attorney, Agent, or Firm*—Hamre, Scchumann, Mueller & Larson, P.C.

(58) **Field of Classification Search** D7/300,
D7/305–308, 309–311; 99/300, 279, 290,
99/304, 307, 295, 286, 281; 248/317

(57) **CLAIM**

See application file for complete search history.

The ornamental design for a coffee machine, as shown and described.

(56) **References Cited**

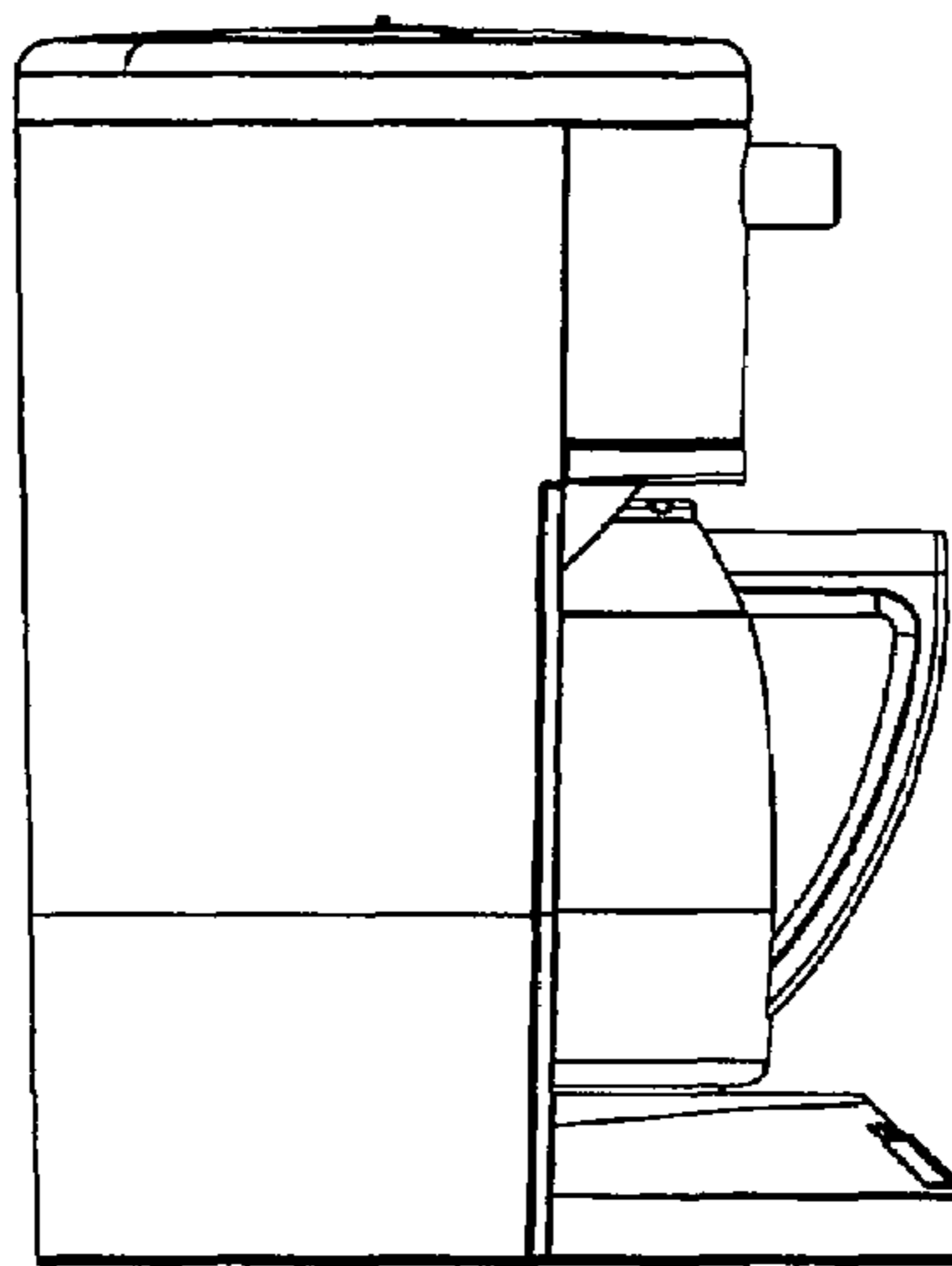
DESCRIPTION

U.S. PATENT DOCUMENTS

D288,885 S * 3/1987 Kahlcke D7/309
D310,613 S * 9/1990 Wu D7/309
D316,004 S * 4/1991 Eugster D7/309
D317,996 S * 7/1991 Jack D7/309
5,239,914 A * 8/1993 Salomon et al. 99/285
D345,883 S * 4/1994 Maass D7/309
5,301,600 A * 4/1994 Medema 99/305
D347,961 S * 6/1994 Beeren D7/309
D359,195 S * 6/1995 Mukai et al. D7/309
D359,413 S * 6/1995 Storsberg D7/309
5,586,485 A * 12/1996 Baumann 99/295
5,687,637 A 11/1997 Brookshire et al.
D418,000 S * 12/1999 Mork et al. D7/309
6,272,974 B1 * 8/2001 Pascotti et al. 99/318
D449,196 S * 10/2001 Bouhuys et al. D7/309
6,357,342 B1 3/2002 Leung
D457,376 S * 5/2002 Lin D7/309

FIG. 1 is a front perspective view of a coffee machine showing our new design;
FIG. 2 is another front perspective view thereof;
FIG. 3 is a rear perspective view thereof;
FIG. 4 is a front perspective view thereof in opened position;
FIG. 5 is a left side view thereof, in closed position;
FIG. 6 is a front view thereof;
FIG. 7 is a right side view thereof;
FIG. 8 is a back view thereof;
FIG. 9 is a top plan view thereof; and,
FIG. 10 is a bottom view thereof.

1 Claim, 3 Drawing Sheets



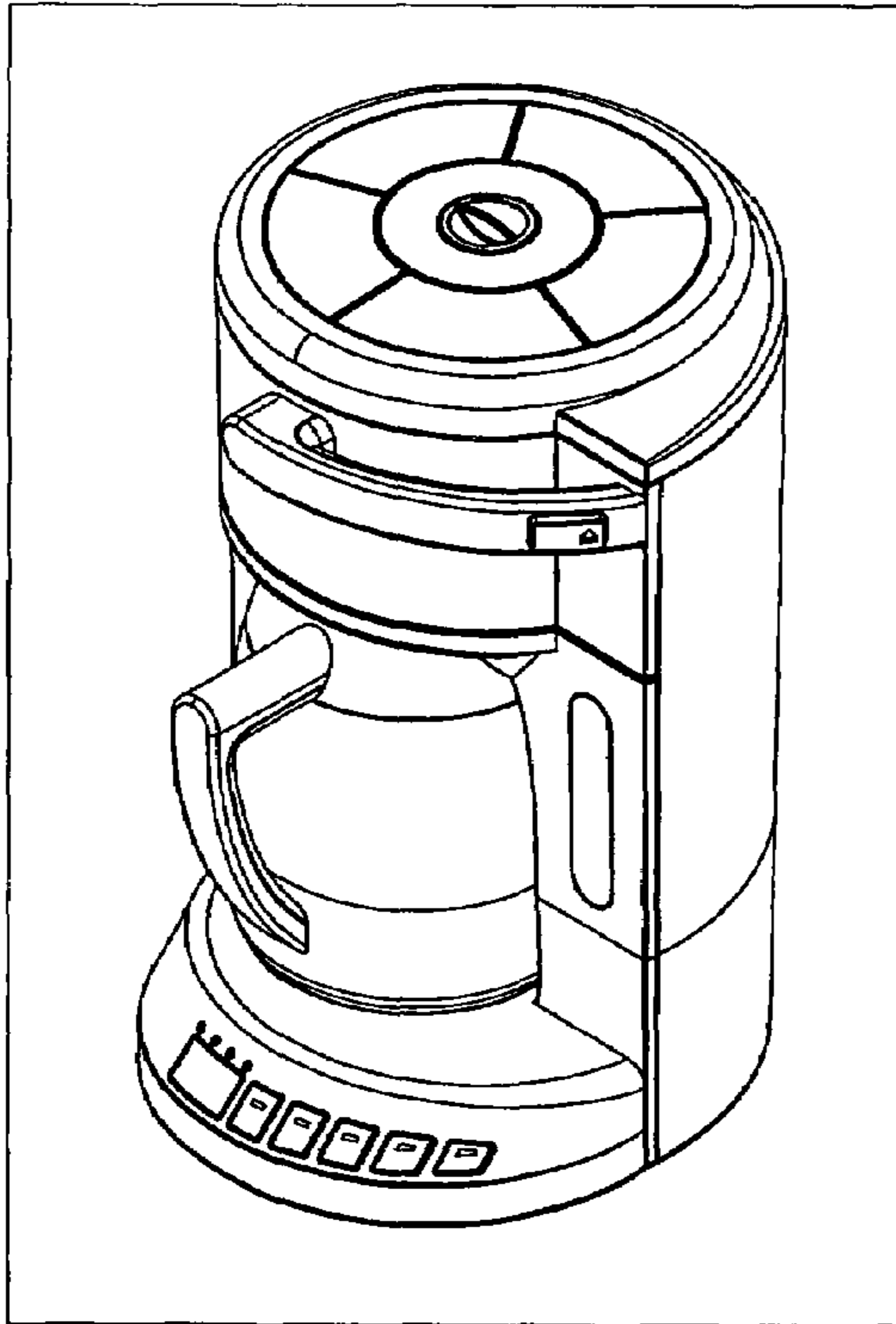


FIG. 1

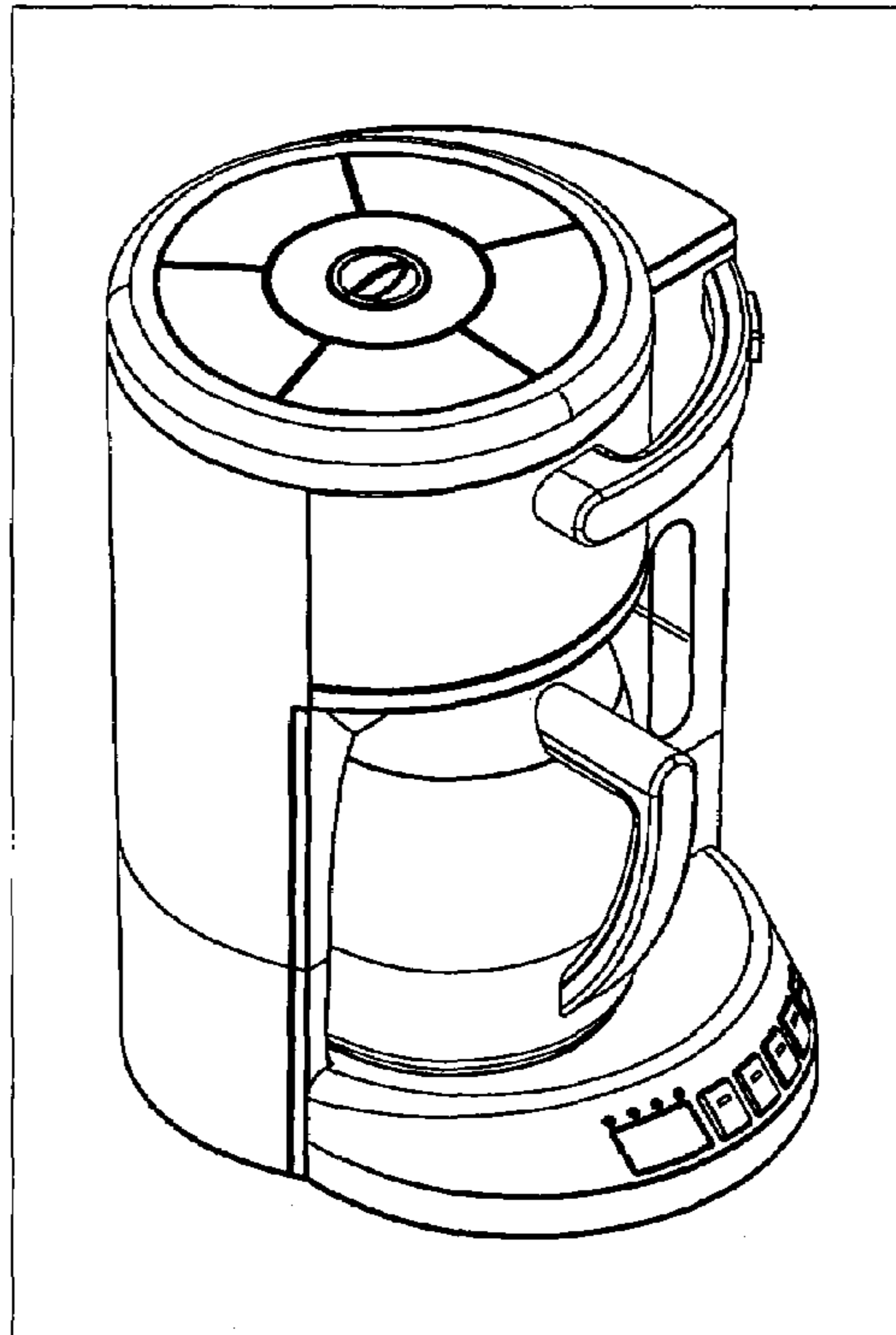


FIG. 2

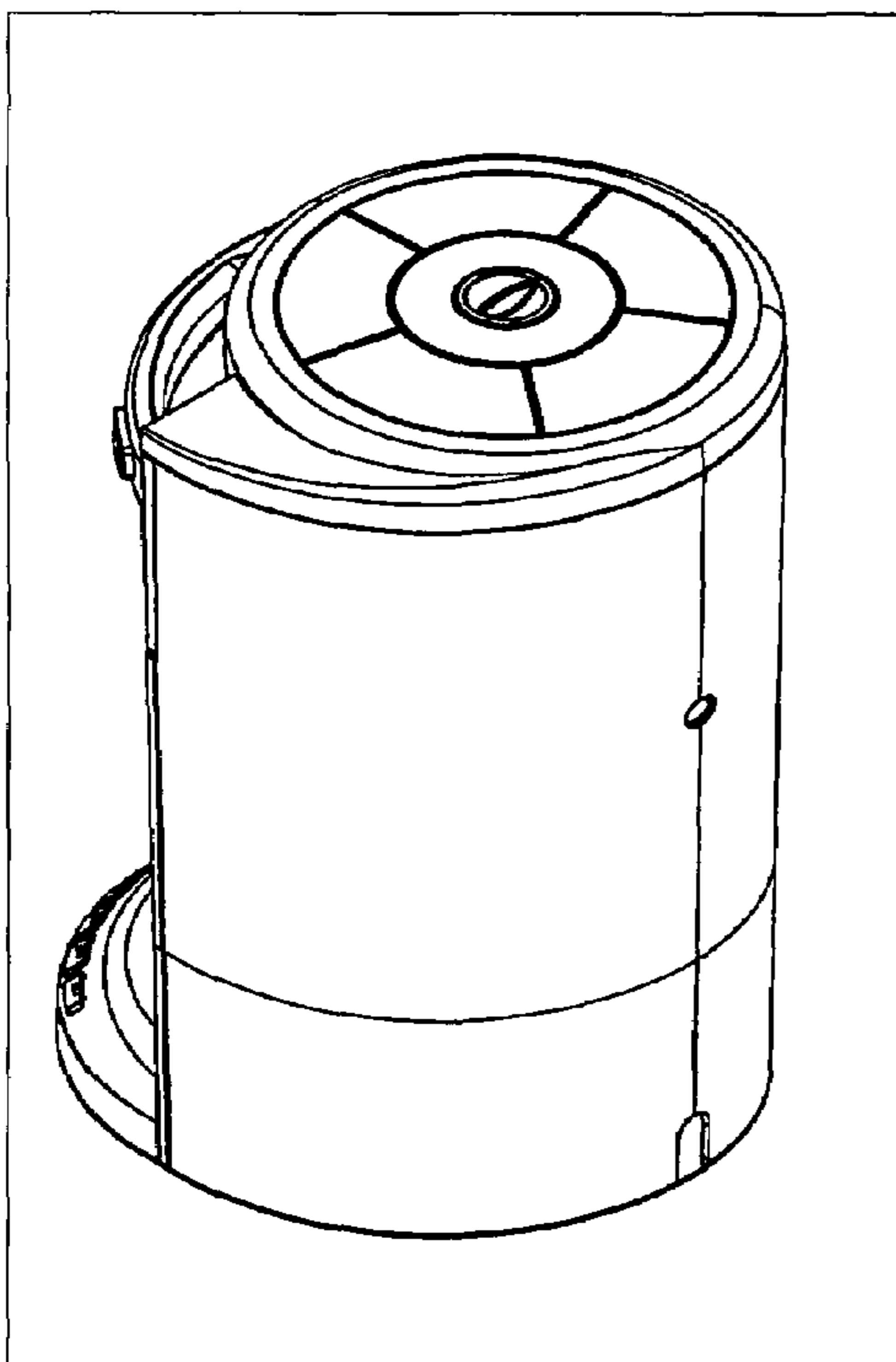


FIG. 3

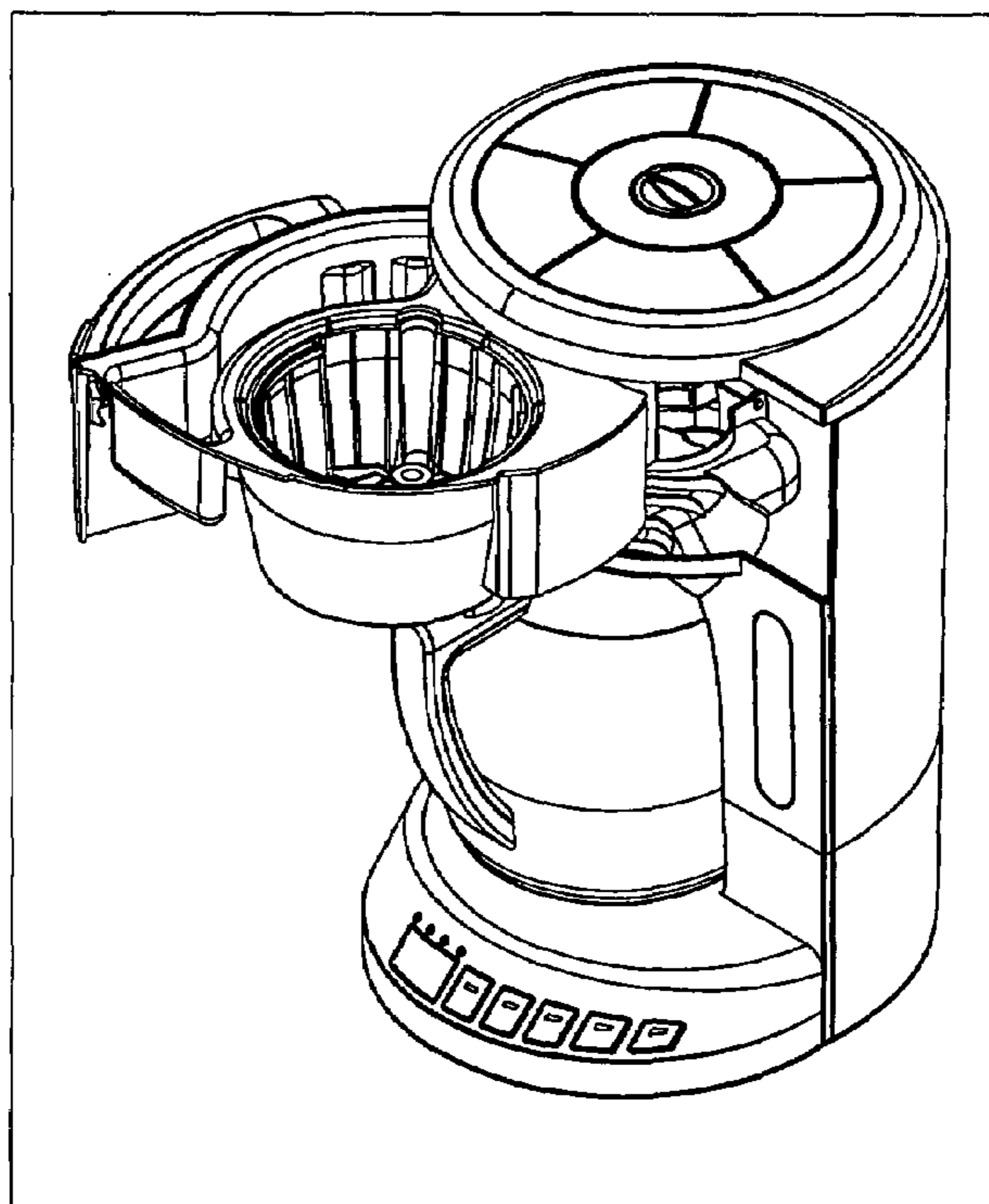


FIG. 4

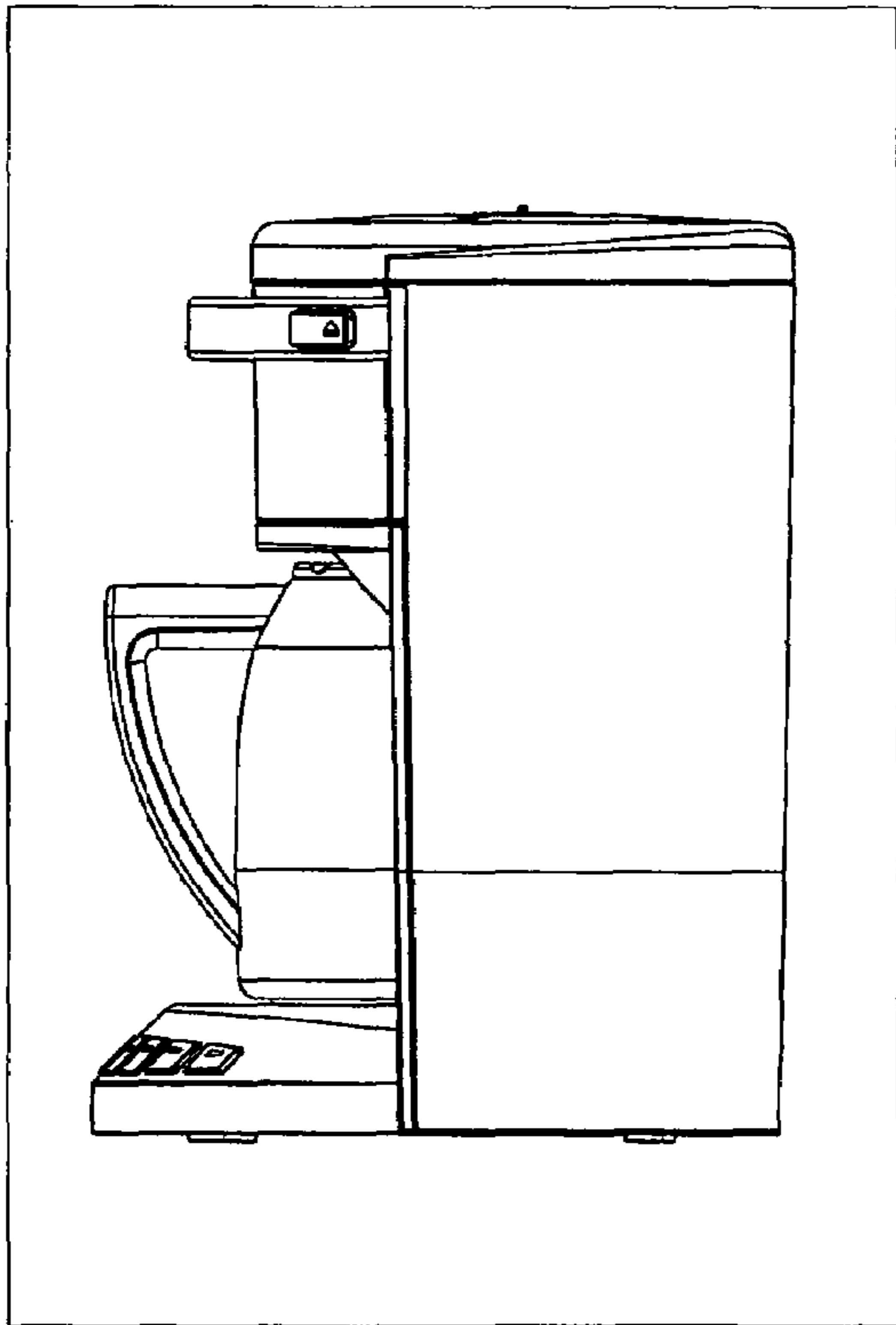


FIG. 5

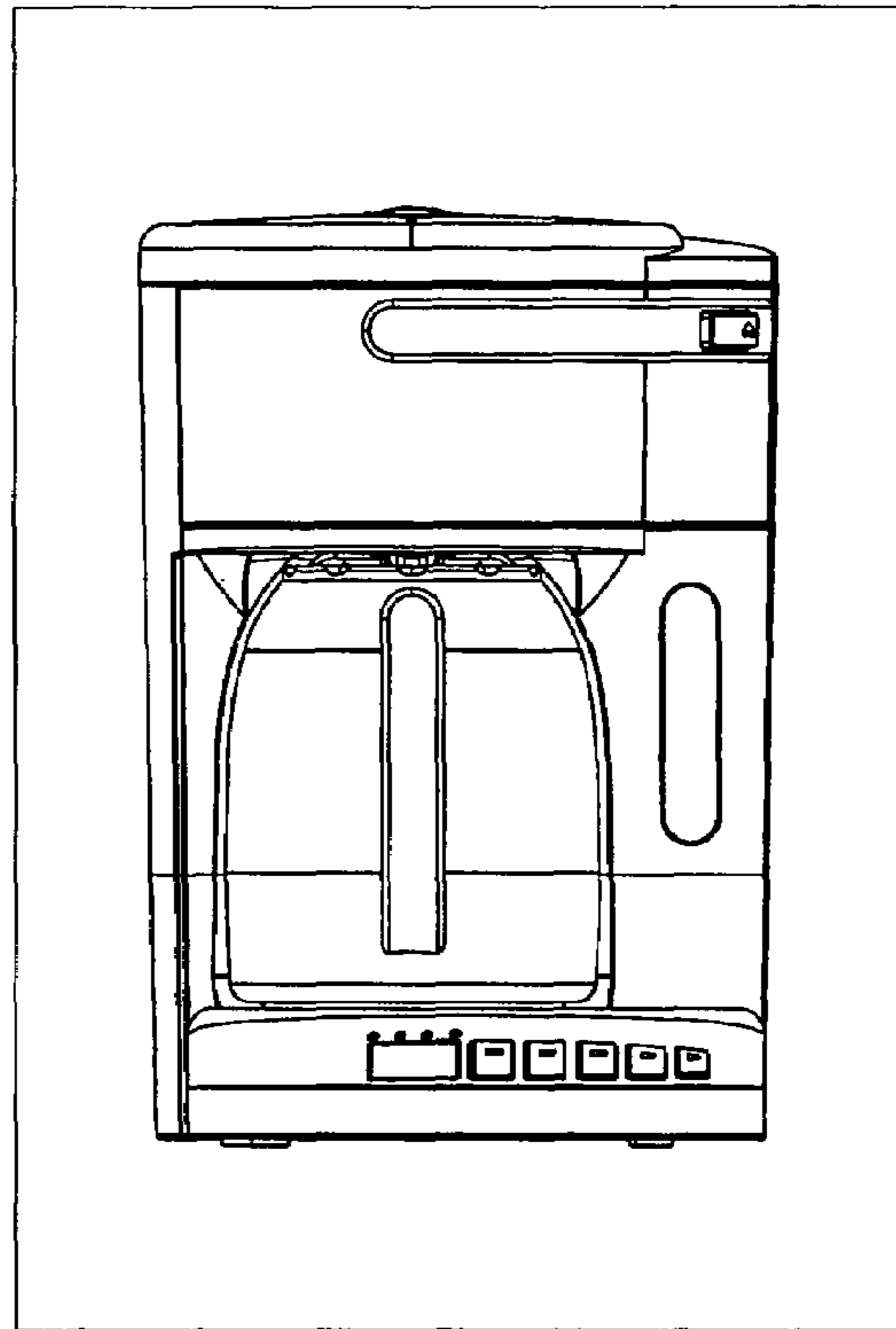


FIG. 6

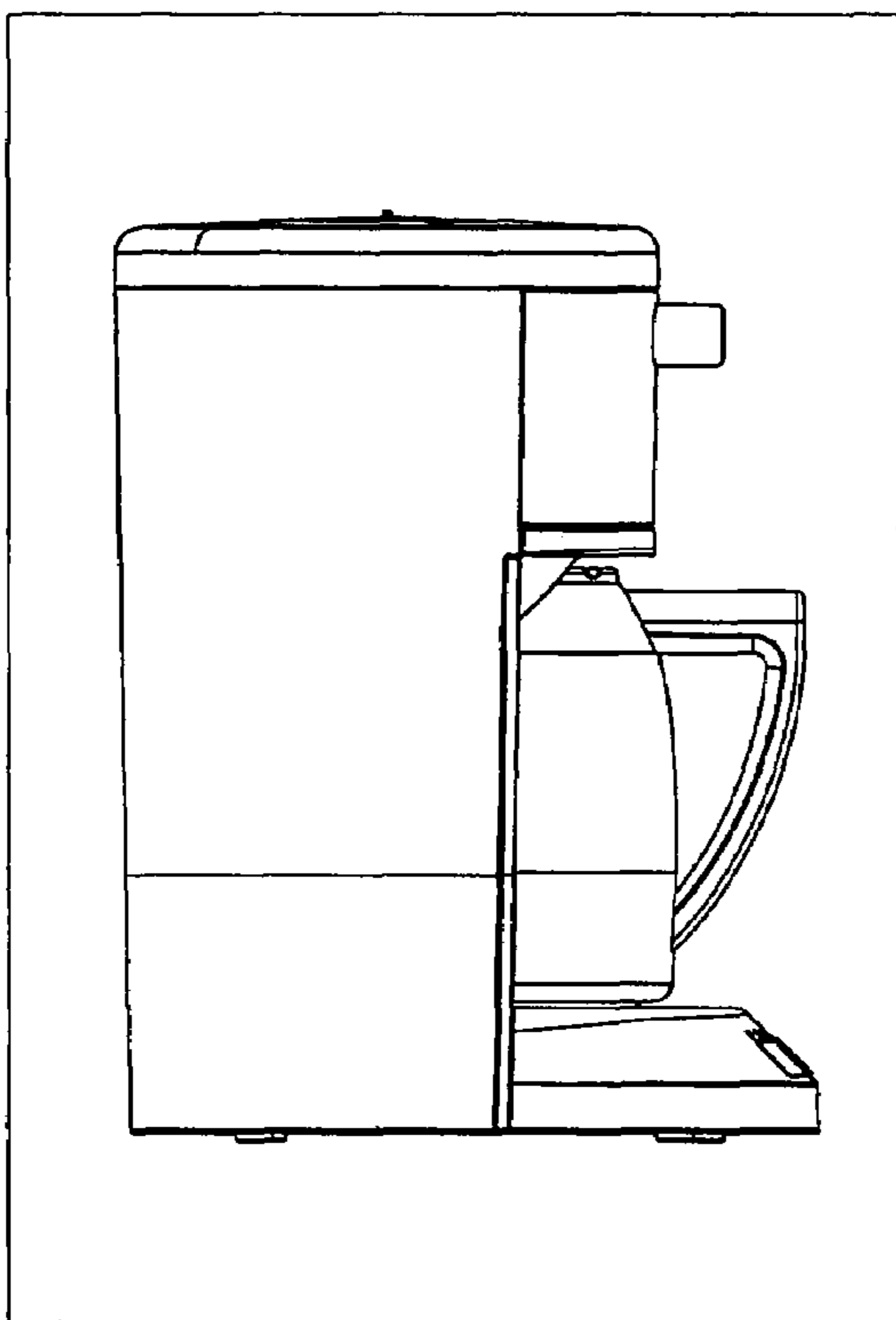


FIG. 7

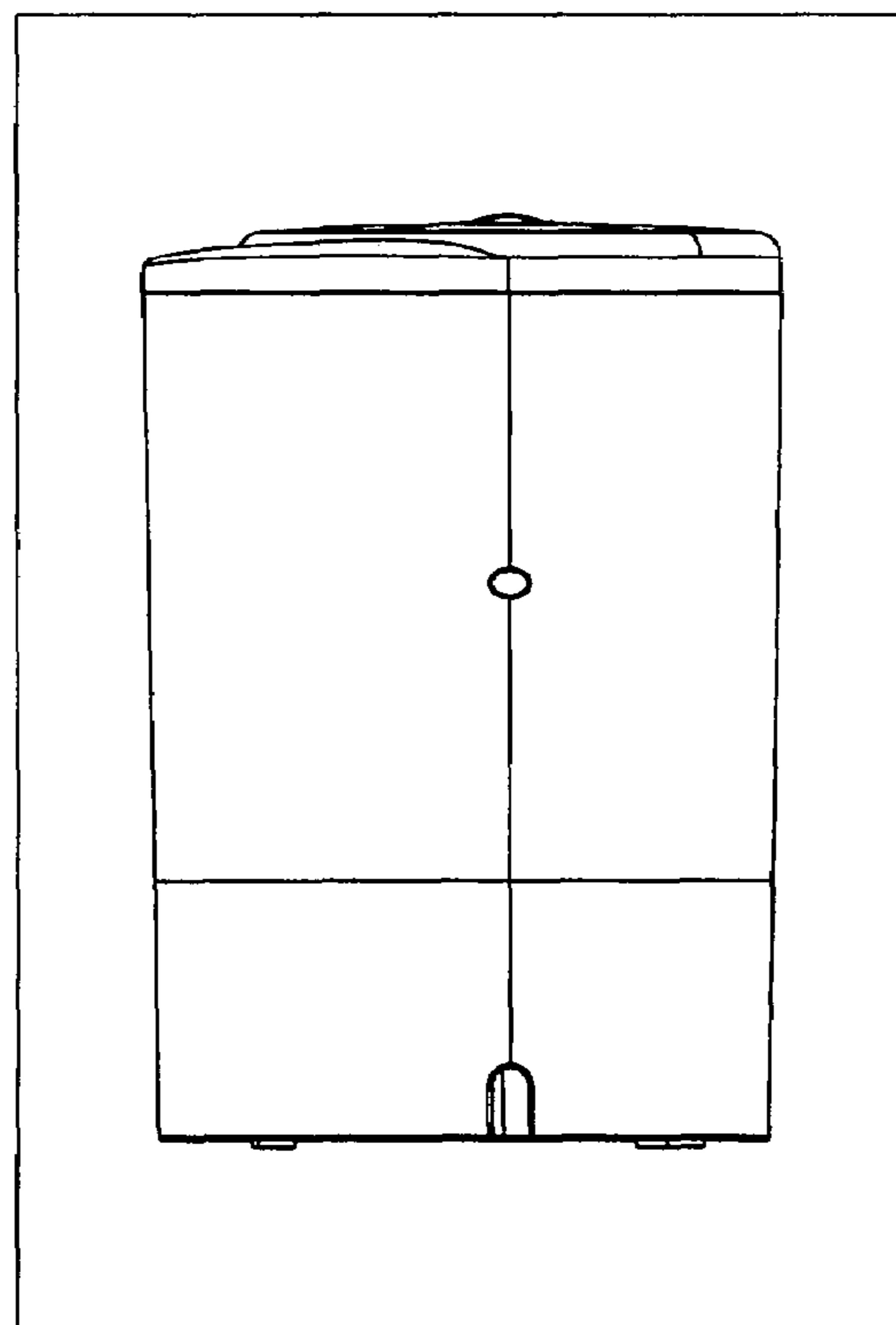


FIG. 8

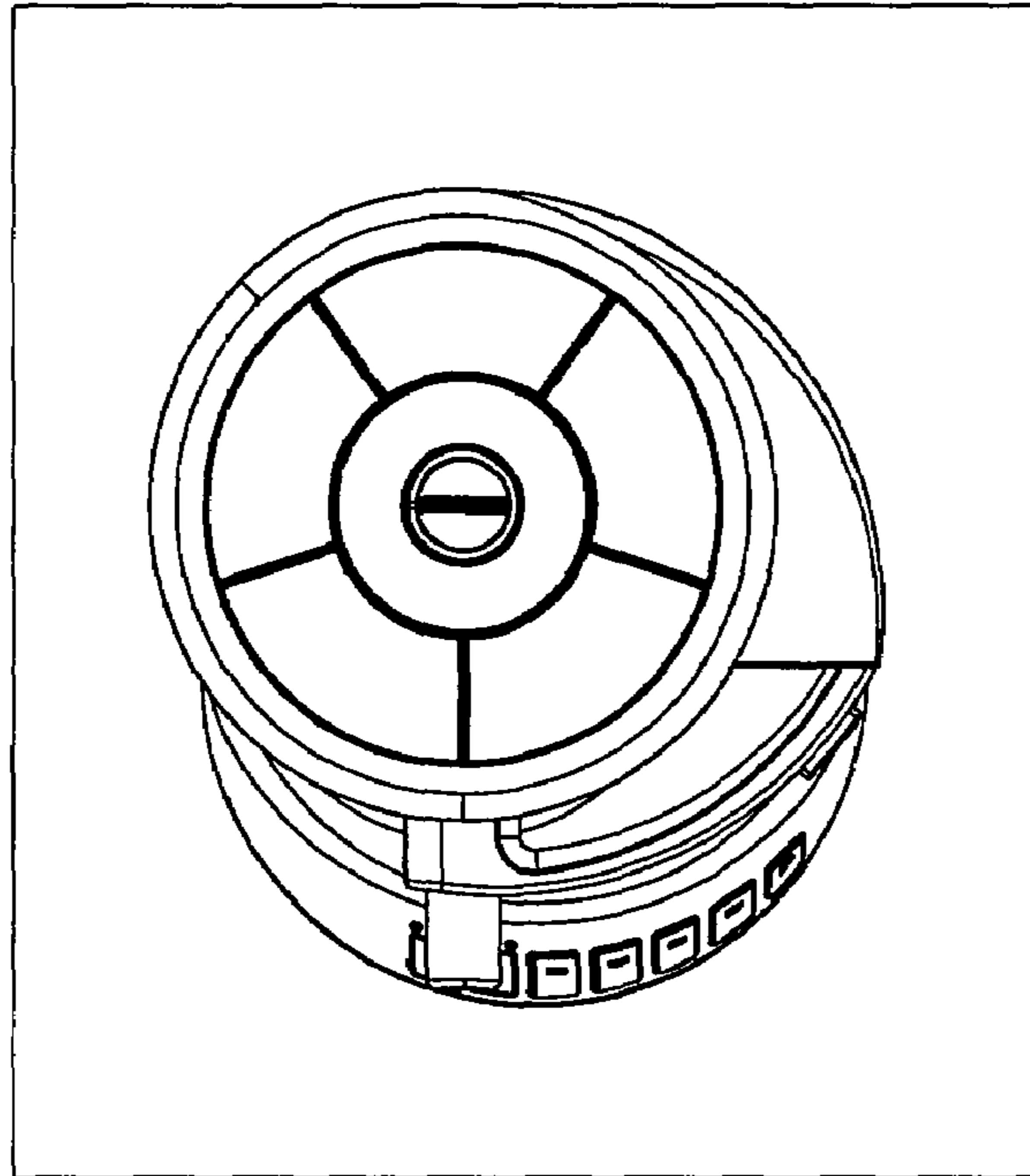


FIG. 9

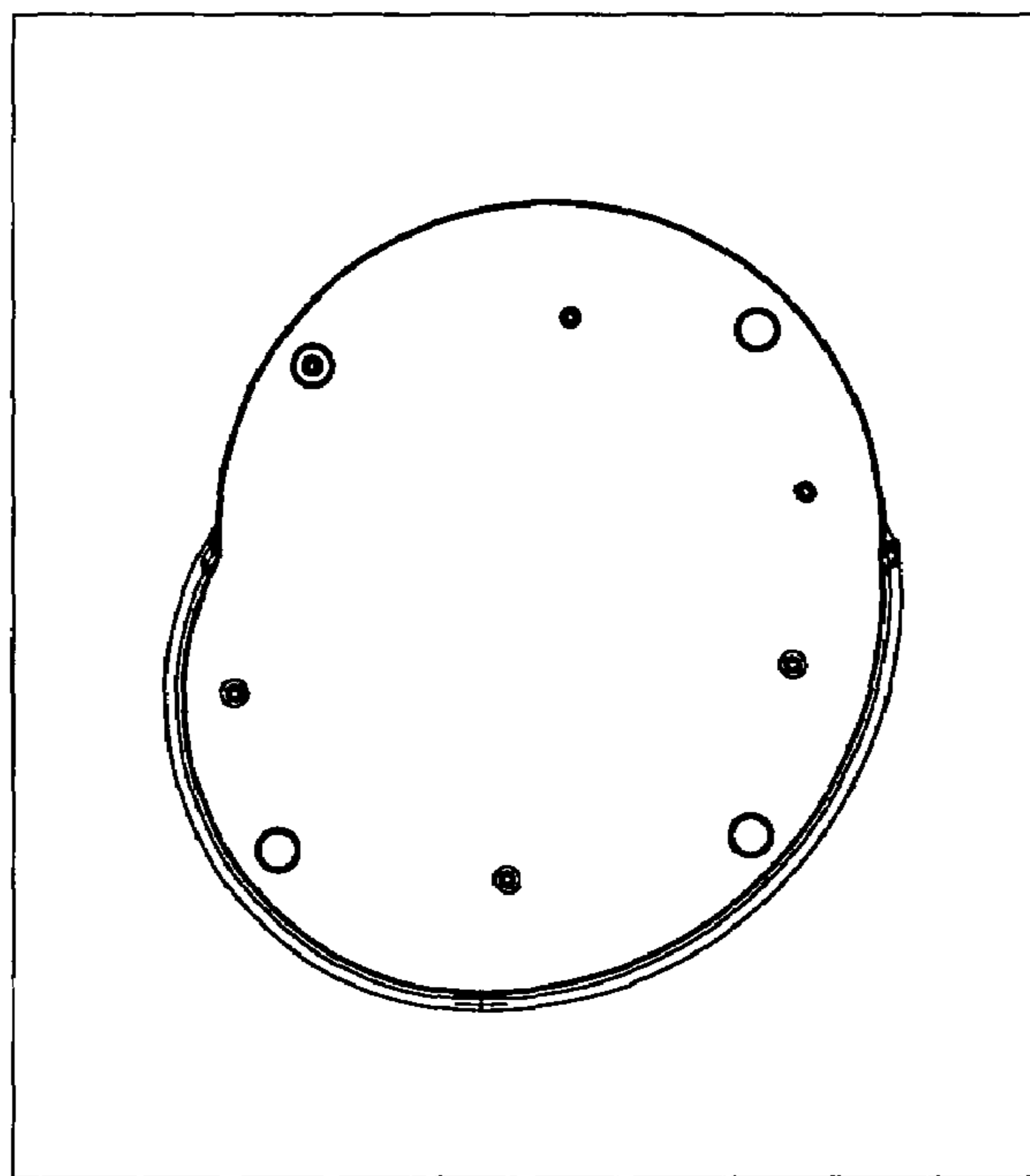


FIG. 10