



US00D561516S

(12) **United States Design Patent**
De Pra'

(10) **Patent No.:** **US D561,516 S**

(45) **Date of Patent:** **** Feb. 12, 2008**

(54) **COFFEE MACHINE**

(75) Inventor: **Dario De Pra'**, Mirano (IT)

(73) Assignee: **De' Longhi S.p.A.**, Treviso (IT)

(**) Term: **14 Years**

(21) Appl. No.: **29/267,202**

(22) Filed: **Oct. 6, 2006**

(30) **Foreign Application Priority Data**

Apr. 7, 2006 (EM) 000509989

(51) **LOC (8) Cl.** **07-01**

(52) **U.S. Cl.** **D7/309; D7/310; D7/311**

(58) **Field of Classification Search** D7/300,
D7/305-308, 309-311; 99/300, 279, 290,
99/304, 307, 295, 286, 281; 248/317
See application file for complete search history.

(56) **References Cited**

U.S. PATENT DOCUMENTS

4,805,523	A *	2/1989	Stuckey et al.	99/281
D328,217	S *	7/1992	Beeren	D7/309
D350,667	S *	9/1994	Saltet	D7/309
D359,195	S *	6/1995	Mukai et al.	D7/309
5,586,485	A	12/1996	Baumann	
5,687,637	A	11/1997	Brookshire et al.	
D421,360	S *	3/2000	Lin	D7/309
D446,990	S *	8/2001	Prat	D7/309
D449,197	S *	10/2001	Byler	D7/309
D453,656	S *	2/2002	Byler et al.	D7/309
6,357,342	B1	3/2002	Leung	
D473,745	S *	4/2003	Mulle et al.	D7/309
D479,087	S *	9/2003	Yao	D7/309
D481,902	S *	11/2003	O'Connor et al.	D7/309
D502,628	S *	3/2005	Ledingham et al.	D7/309
D513,572	S *	1/2006	Schaffeld et al.	D7/309
D513,681	S *	1/2006	Picozza et al.	D7/309
D514,865	S *	2/2006	Steiner	D7/309
7,013,795	B2 *	3/2006	Mulle et al.	99/286

D524,588	S *	7/2006	Copland	D7/309
D543,770	S *	6/2007	Ye	D7/309
D543,771	S *	6/2007	Julemont	D7/309
D545,110	S *	6/2007	Julemont	D7/309

FOREIGN PATENT DOCUMENTS

DE	103 35 824	3/2005
EP	0 079 235	5/1983

OTHER PUBLICATIONS

Co-pending U.S. Appl. No. 29/276,201, filed Oct. 6, 2006.
Co-pending U.S. Appl. No. 29/276,203, filed Oct. 6, 2006.
Co-pending U.S. Appl. No. 29/285,225, filed Mar. 23, 2007.
Co-pending U.S. Appl. No. 29/285,190, filed Mar. 23, 2007.

* cited by examiner

Primary Examiner—Marianne Pandozzi

(74) *Attorney, Agent, or Firm*—Hamre, Schumann, Mueller & Larson, P.C.

(57) **CLAIM**

The ornamental design for a coffee machine, as shown and described.

DESCRIPTION

FIG. 1 is a front view of a coffee machine in accordance with my invention thereof;

FIG. 2 is a left side view thereof;

FIG. 3 is a right side view thereof;

FIG. 4 is a back view thereof;

FIG. 5 is a top view thereof;

FIG. 6 is a bottom view thereof;

FIG. 7 is a front perspective view thereof;

FIG. 8 is a front perspective view thereof in opened position;

FIG. 9 is another front perspective view thereof in opened position; and,

FIG. 10 is a rear perspective view thereof.

1 Claim, 3 Drawing Sheets

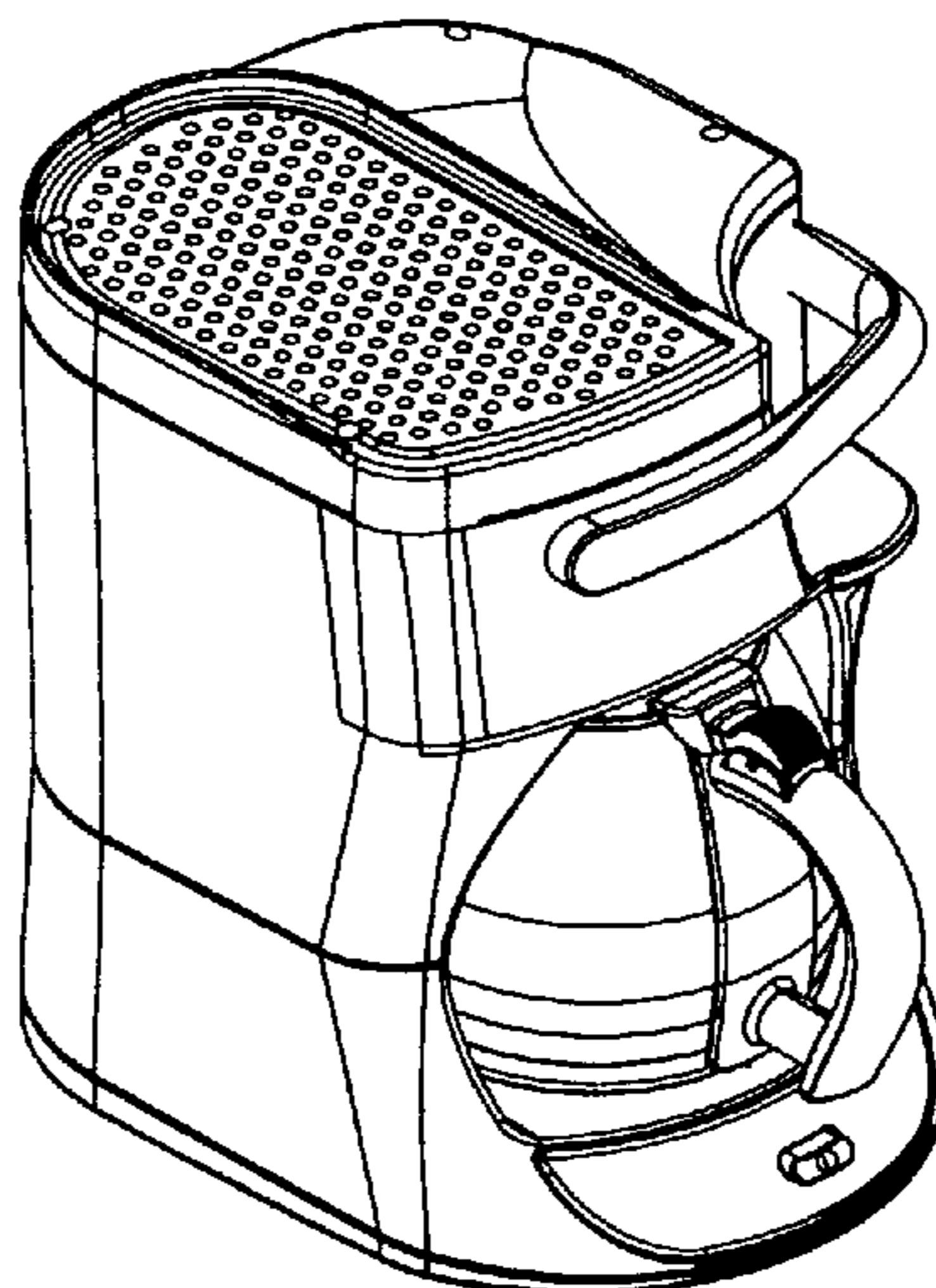


Fig. 1

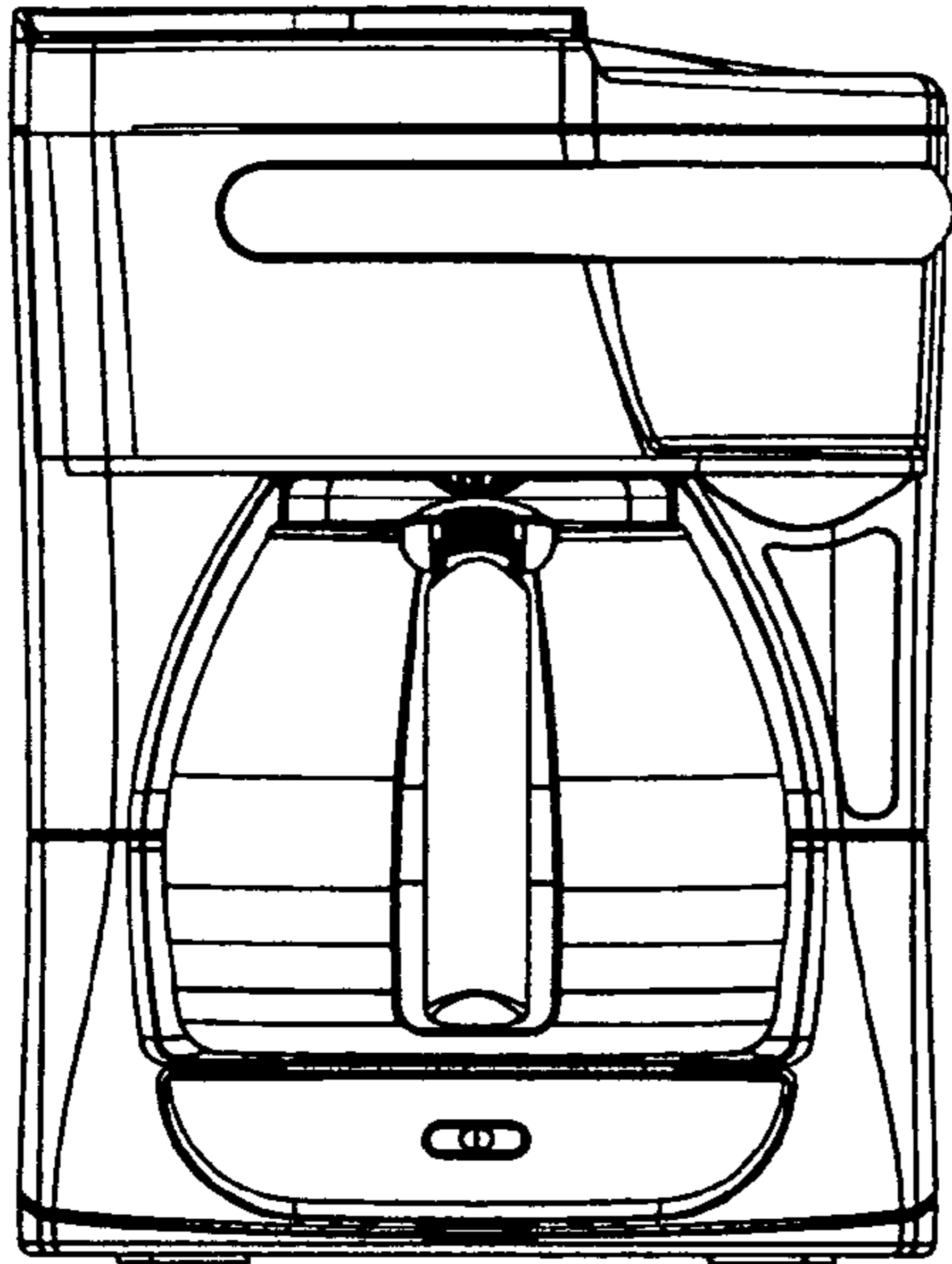


Fig. 2

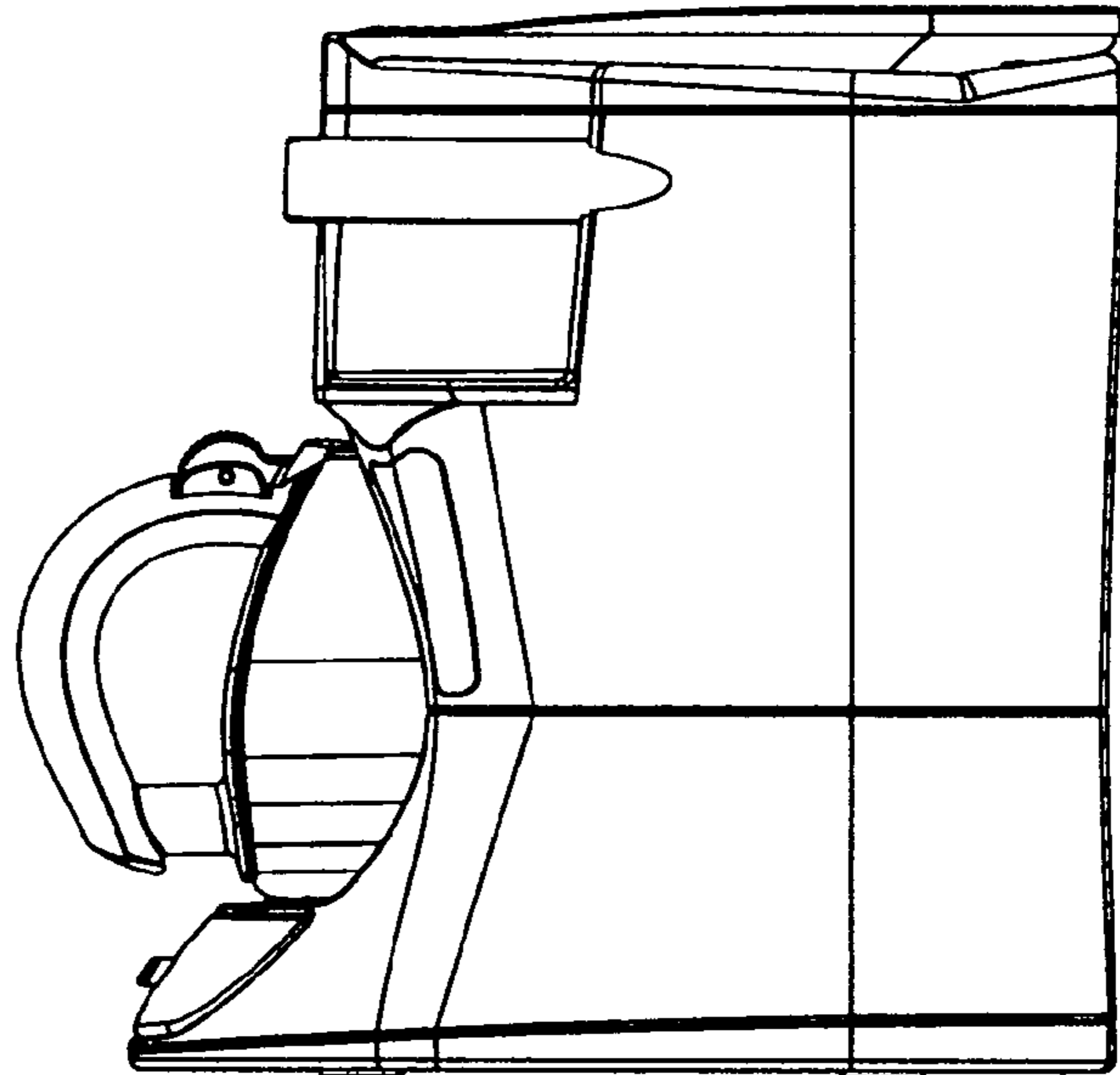


Fig. 3

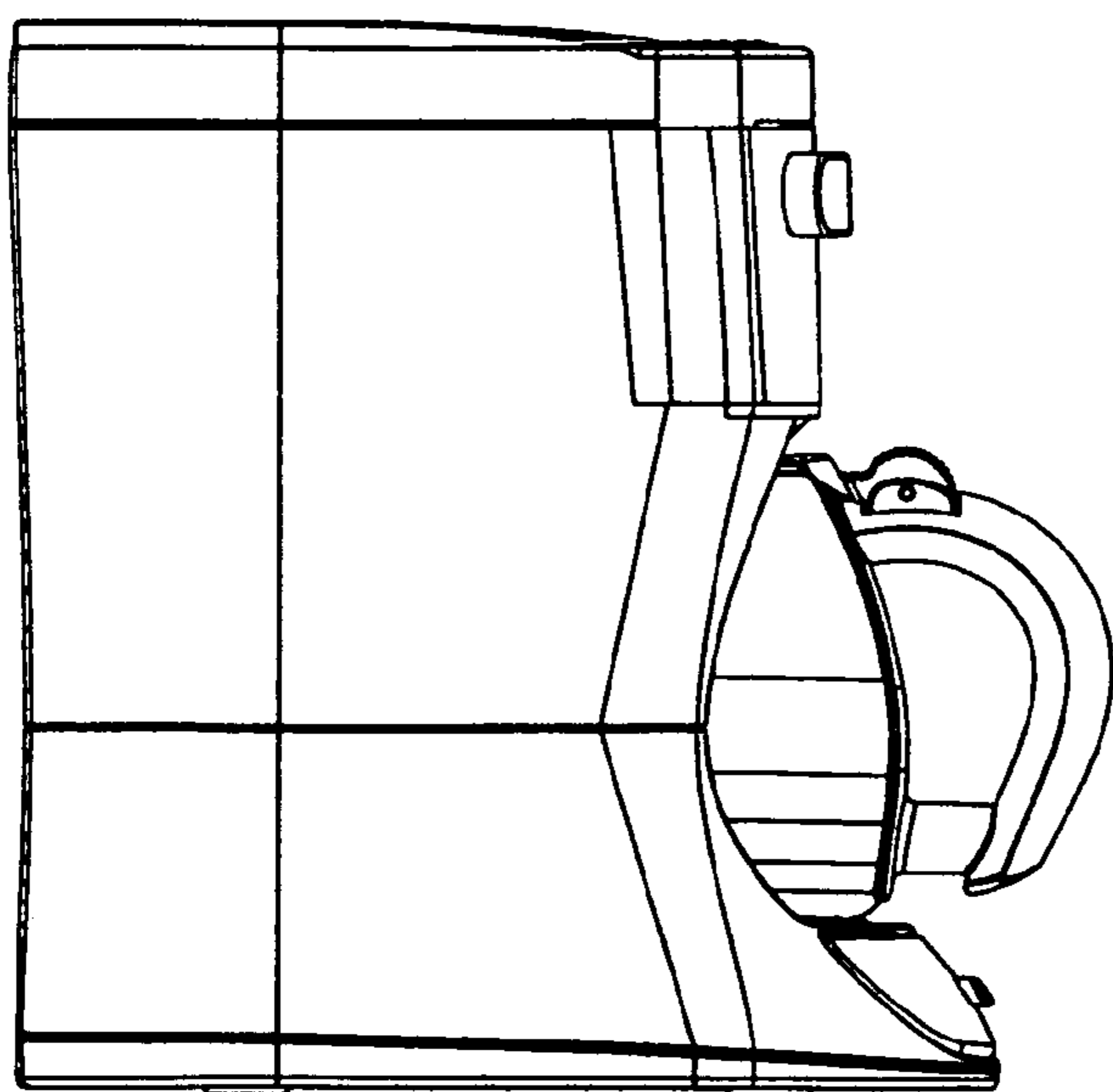


Fig. 4

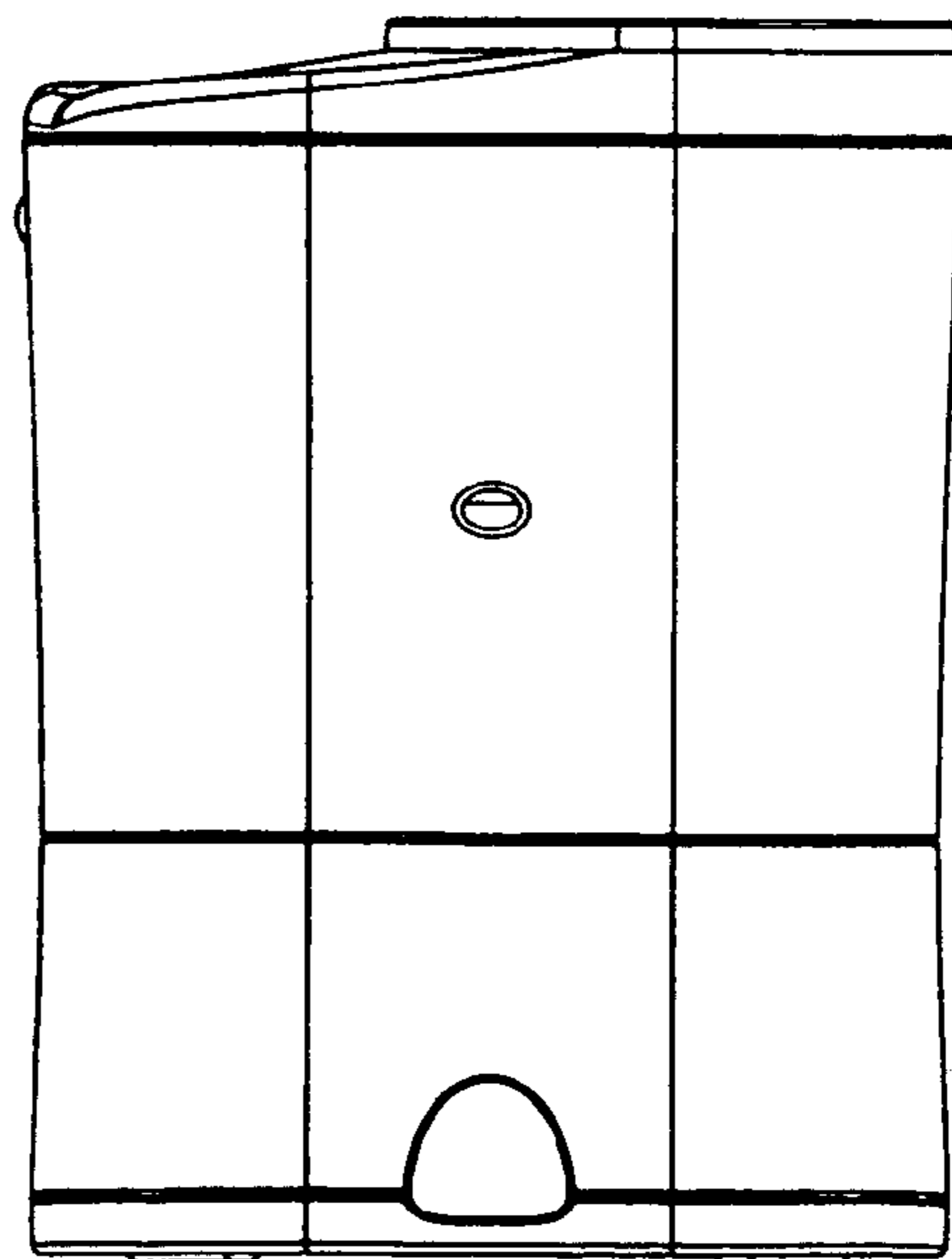


Fig. 5

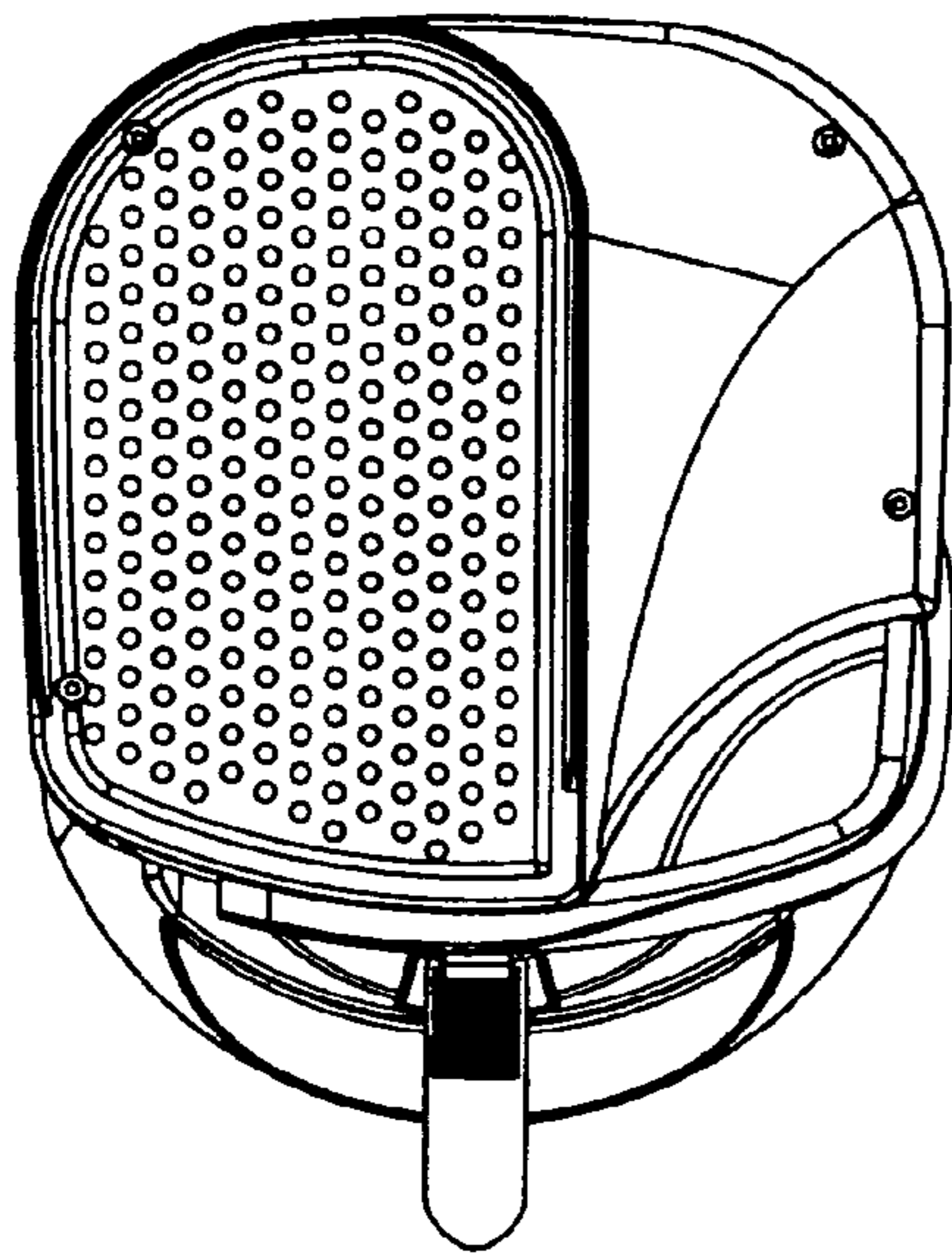


Fig. 6

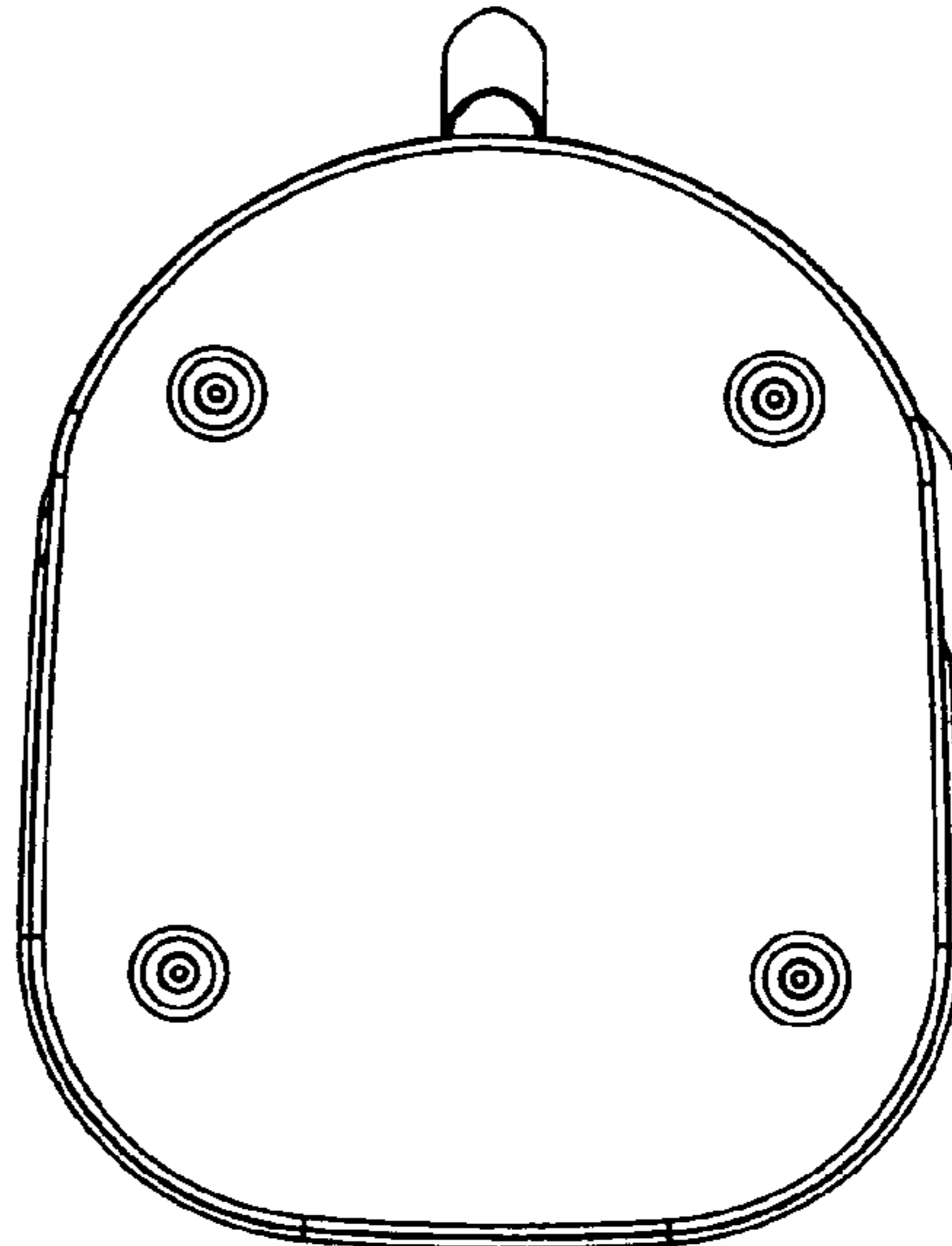


Fig. 7

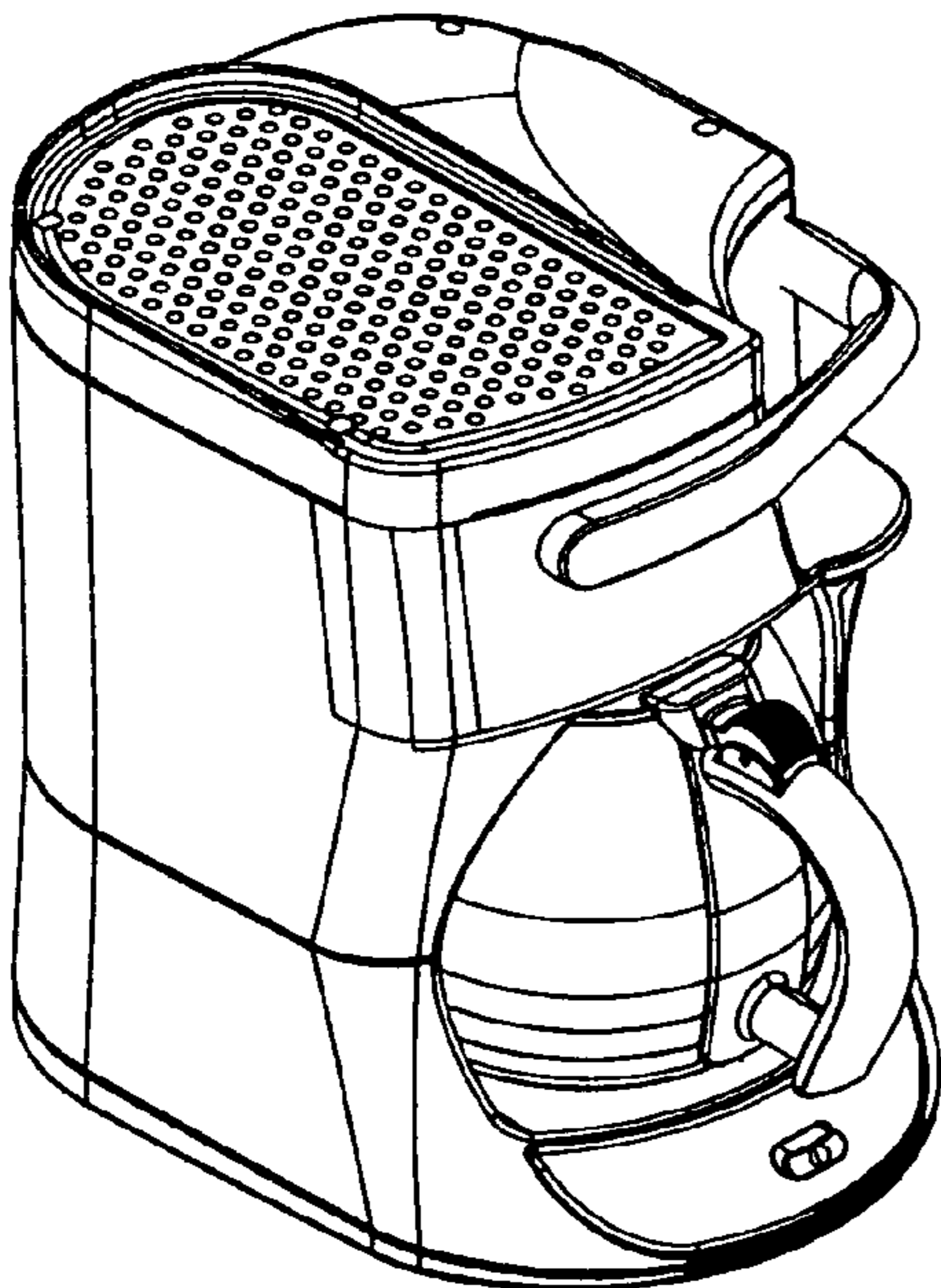


Fig. 8

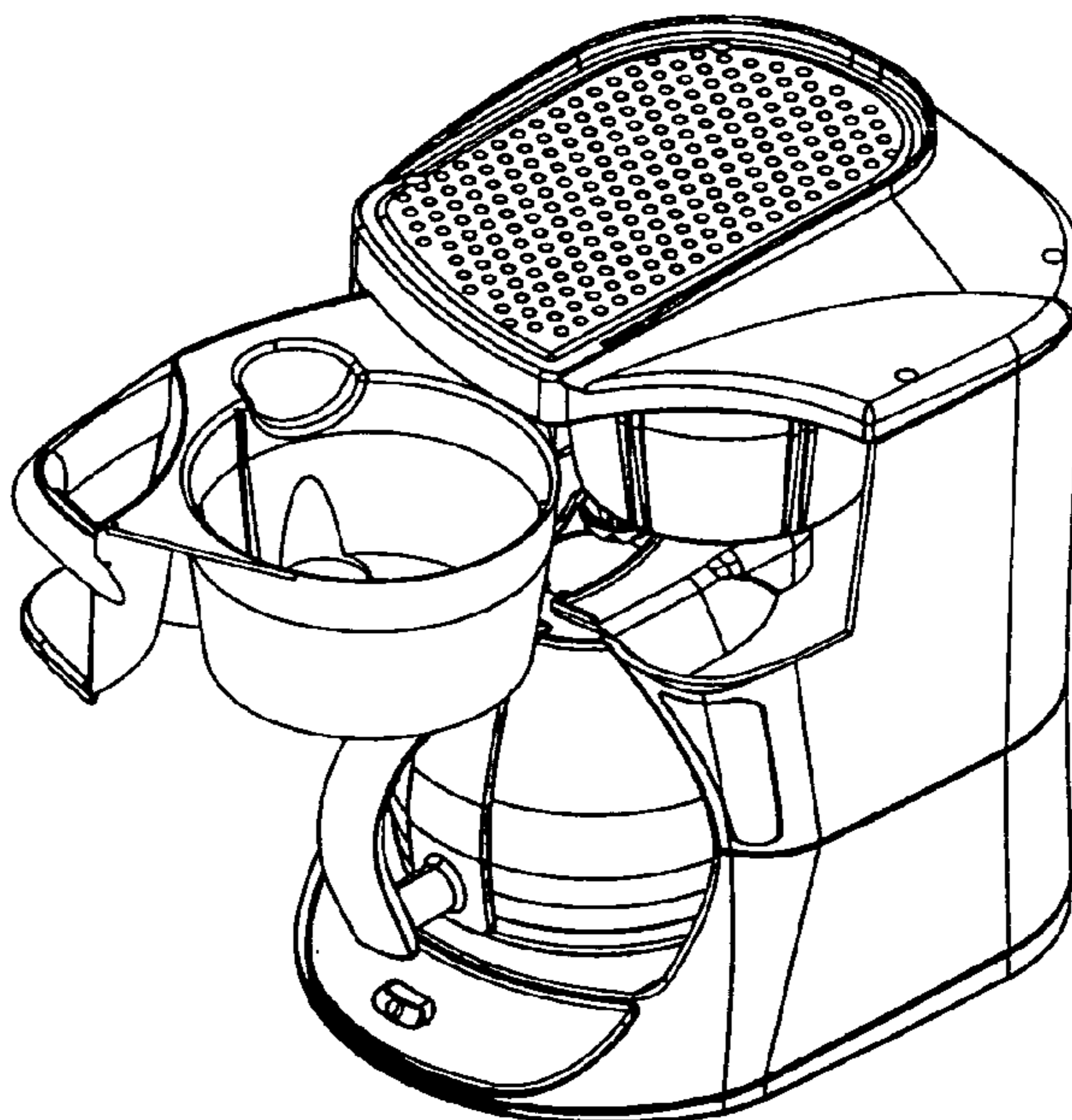


Fig. 9

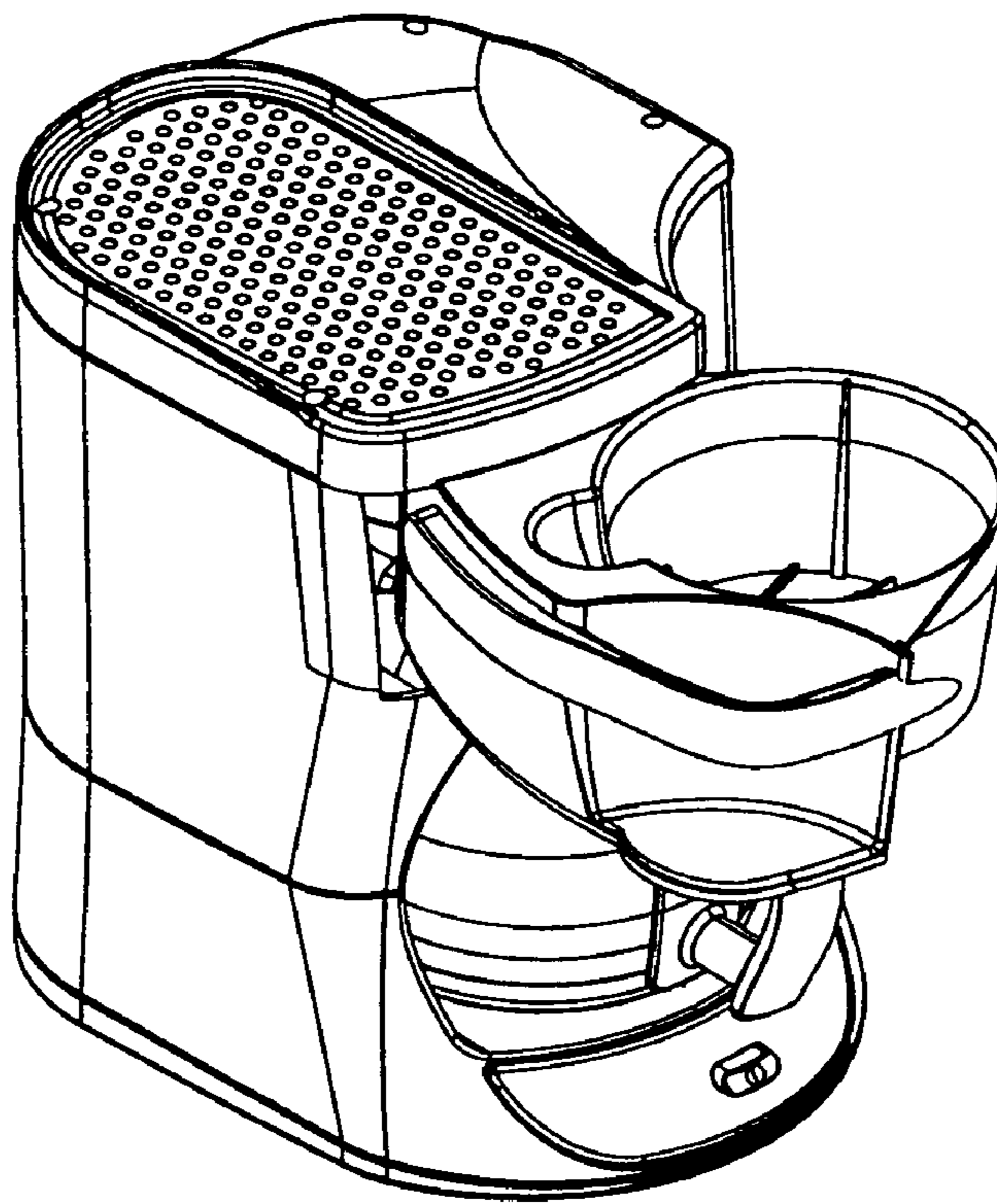


Fig. 10

