

US00D561515S

(12) **United States Design Patent**
De Pra'

(10) **Patent No.:** **US D561,515 S**

(45) **Date of Patent:** **** Feb. 12, 2008**

(54) **COFFEE MACHINE**

(75) Inventor: **Dario De Pra'**, Mirano (IT)

(73) Assignee: **De'Longhi S.p.A.**, Treviso (IT)

(**) Term: **14 Years**

(21) Appl. No.: **29/267,201**

(22) Filed: **Oct. 6, 2006**

(30) **Foreign Application Priority Data**

Apr. 7, 2006 (EM) 000509989

(51) **LOC (8) Cl.** **07-01**

(52) **U.S. Cl.** **D7/309; D7/310; D7/311**

(58) **Field of Classification Search** D7/300,
D7/305-308, 309-311; 99/300, 279, 290,
99/304, 307, 295, 286, 281; 248/317
See application file for complete search history.

(56) **References Cited**

U.S. PATENT DOCUMENTS

- 4,805,523 A * 2/1989 Stuckey et al. 99/281
- D328,217 S * 7/1992 Beeren D7/309
- D350,667 S * 9/1994 Saltet D7/309
- D359,195 S * 6/1995 Mukai et al. D7/309
- 5,586,485 A 12/1996 Baumann
- 5,687,637 A 11/1997 Brookshire et al.
- D421,360 S * 3/2000 Lin D7/309
- D446,990 S * 8/2001 Prat D7/309
- D449,197 S * 10/2001 Byler D7/309
- D453,656 S * 2/2002 Byler et al. D7/309
- 6,357,342 B1 3/2002 Leung
- D473,745 S * 4/2003 Mulle et al. D7/309
- D479,087 S * 9/2003 Yao D7/309
- D481,902 S * 11/2003 O'Connor et al. D7/309
- D502,628 S * 3/2005 Ledingham et al. D7/309
- D513,572 S * 1/2006 Schaffeld et al. D7/309
- D513,681 S * 1/2006 Picozza et al. D7/309
- D514,865 S * 2/2006 Steiner D7/309
- 7,013,795 B2 * 3/2006 Mulle et al. 99/286
- D524,588 S * 7/2006 Copland D7/309
- D543,770 S * 6/2007 Ye D7/309

- D543,771 S * 6/2007 Julemont D7/309
- D545,110 S * 6/2007 Julemont D7/309

FOREIGN PATENT DOCUMENTS

- DE 103 35 824 3/2005
- EP 0 079 235 5/1983

OTHER PUBLICATIONS

- Co-pending U.S. Appl. No. 29/276,203, filed Oct. 6, 2006.
- Co-pending U.S. Appl. No. 29/276,202, filed Oct. 6, 2006.
- Co-pending U.S. Appl. No. 29/285,225, filed Mar. 23, 2007.
- Co-pending U.S. Appl. No. 29/285,190, filed Mar. 23, 2007.

* cited by examiner

Primary Examiner—Marianne Pandozzi

(74) *Attorney, Agent, or Firm*—Hamre, Schumann, Mueller & Larson, P.C.

(57) **CLAIM**

The ornamental design for coffee machine, as shown and described.

DESCRIPTION

FIG. 1 is a front view of a coffee machine in accordance with my invention thereof;

FIG. 2 is a left side view thereof;

FIG. 3 is a right side view thereof;

FIG. 4 is a back view thereof;

FIG. 5 is a top view thereof;

FIG. 6 is a bottom view thereof;

FIG. 7 is a first front perspective view thereof;

FIG. 8 is a second front perspective view thereof;

FIG. 9 is a front perspective view thereof with the carafe removed for ease of illustration;

FIG. 10 is a front perspective view thereof in partially opened position;

FIG. 11 is a front perspective view thereof in open position; and,

FIG. 12 is a rear perspective view thereof in closed position.

1 Claim, 3 Drawing Sheets

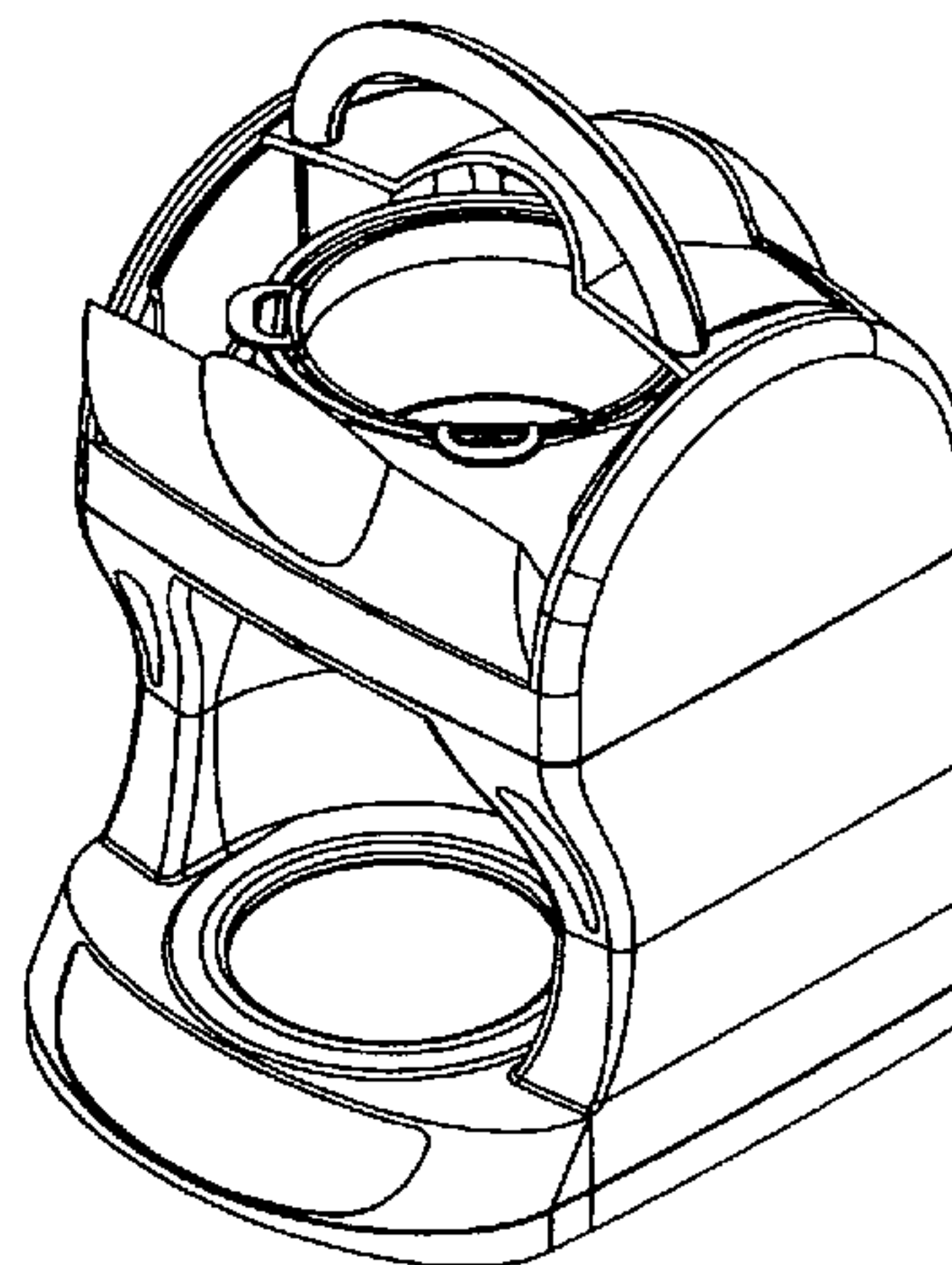
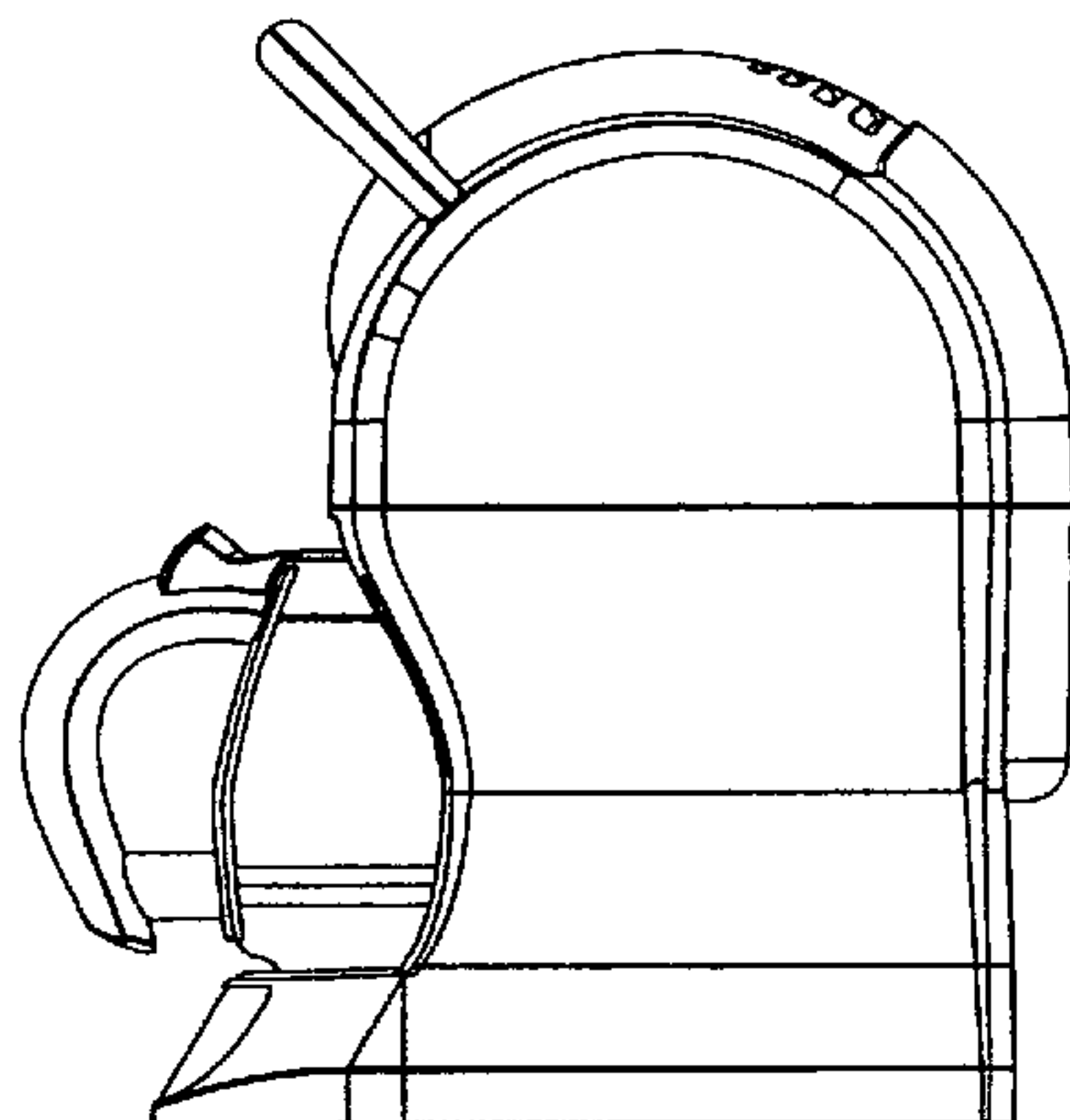


Fig. 1

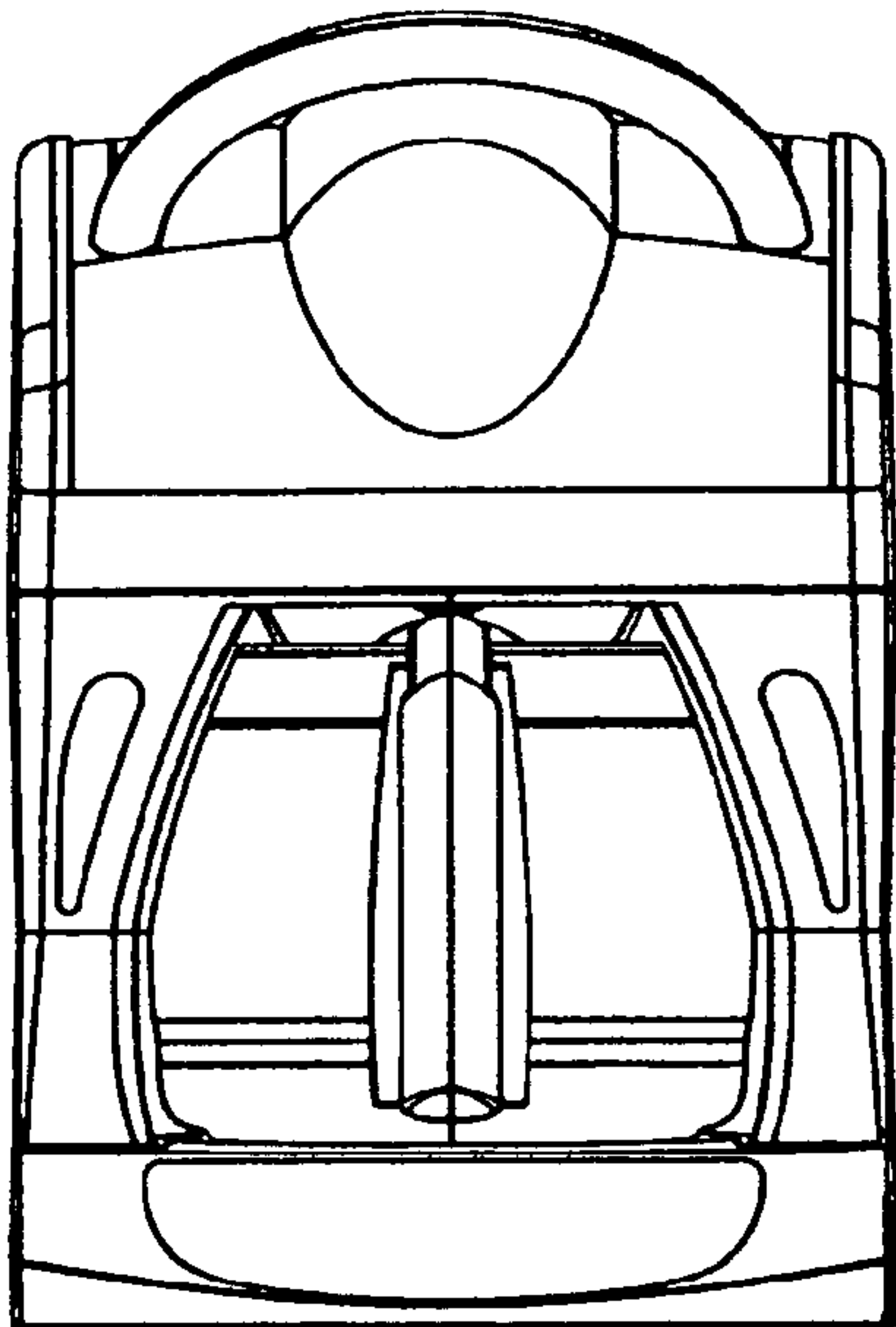


Fig. 2

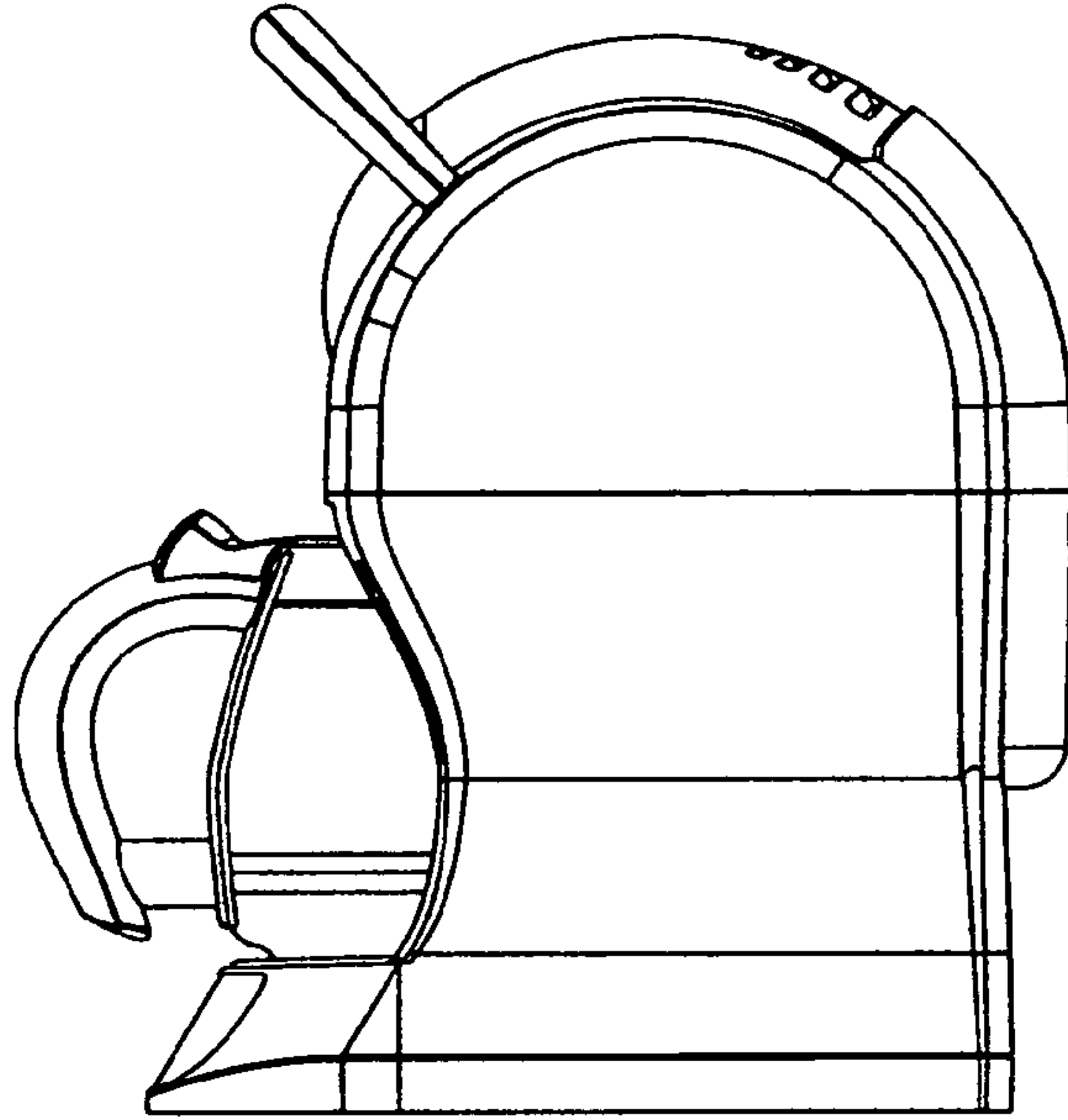


Fig. 3

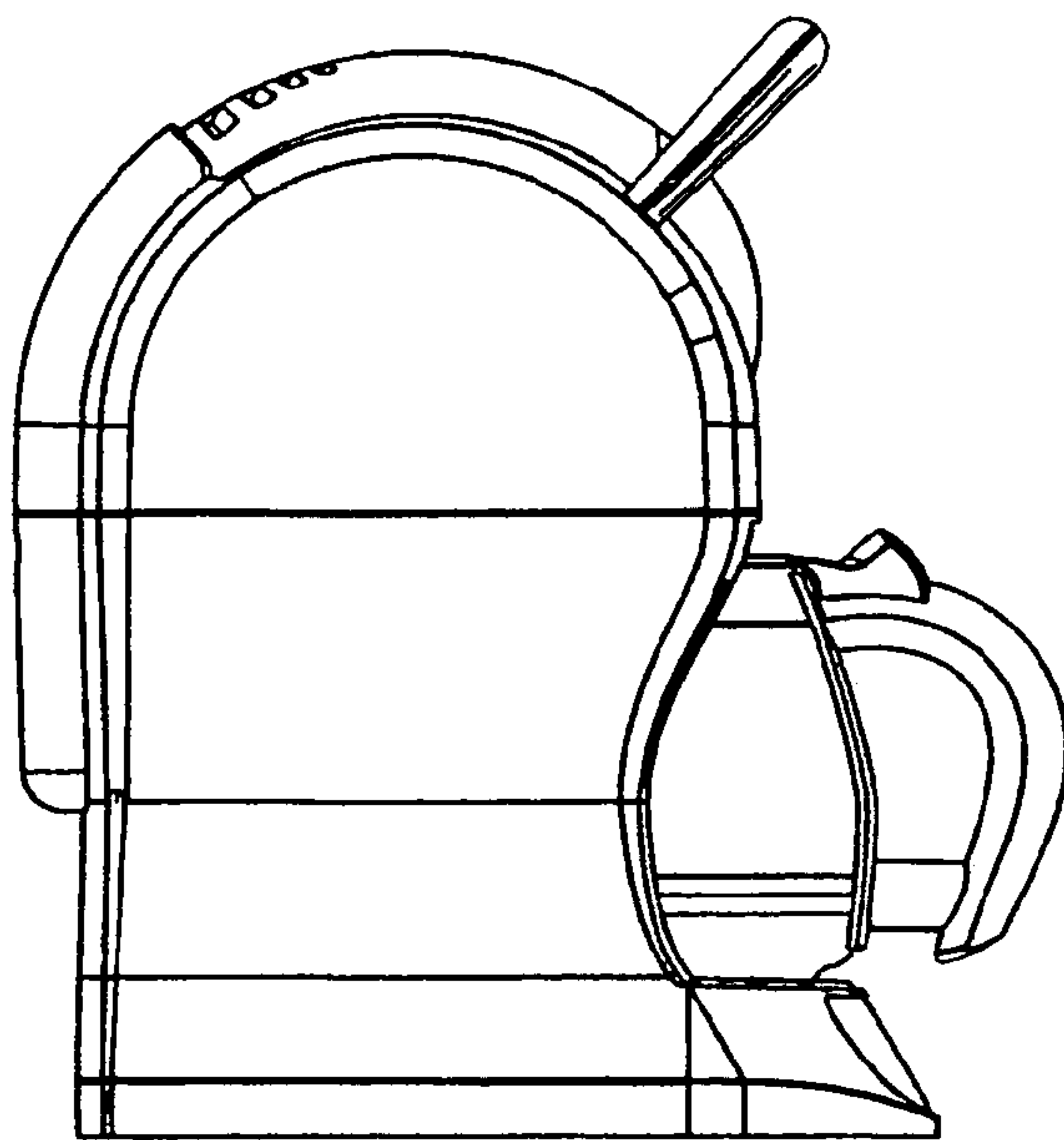


Fig. 4

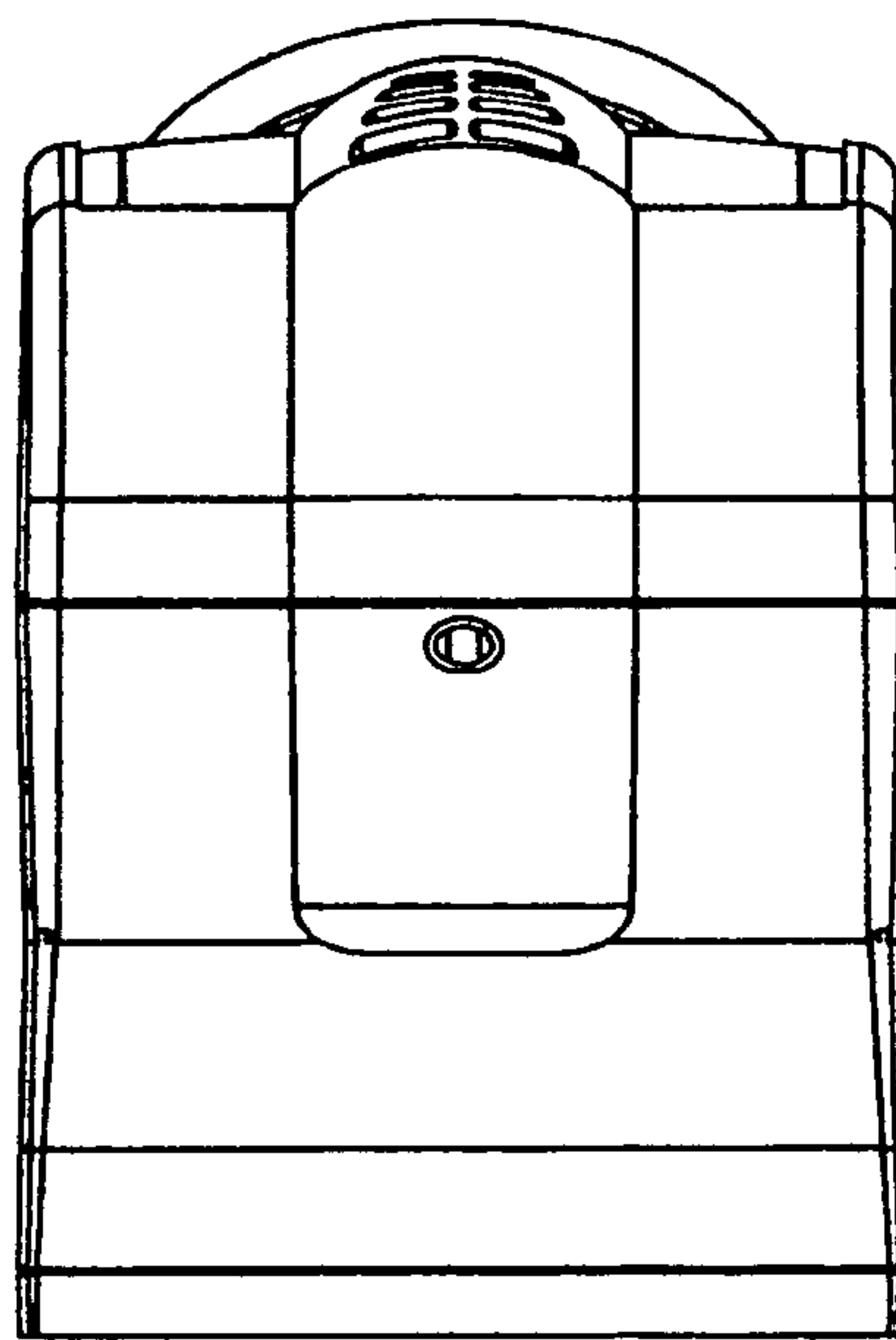


Fig. 5

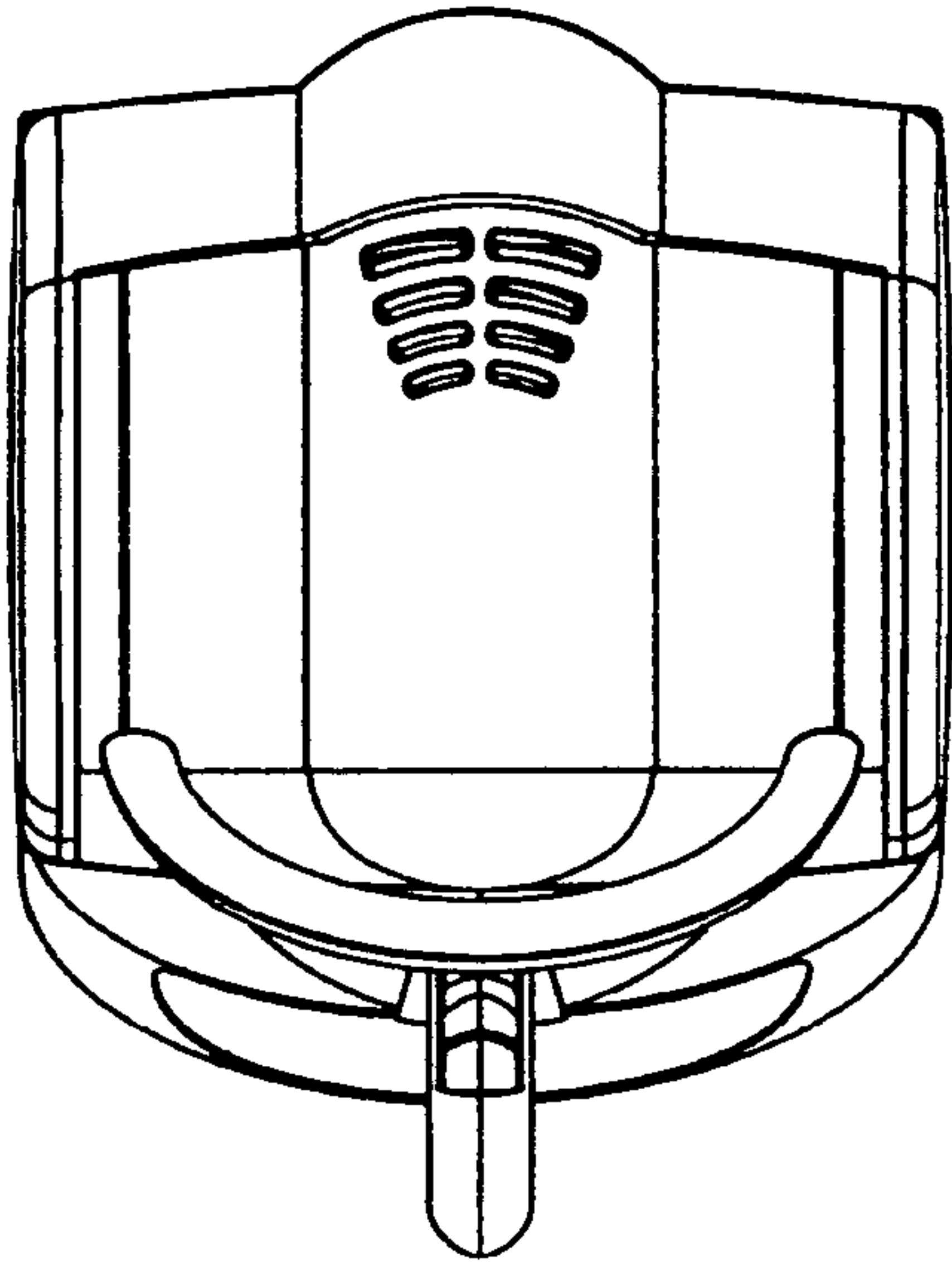


Fig. 6

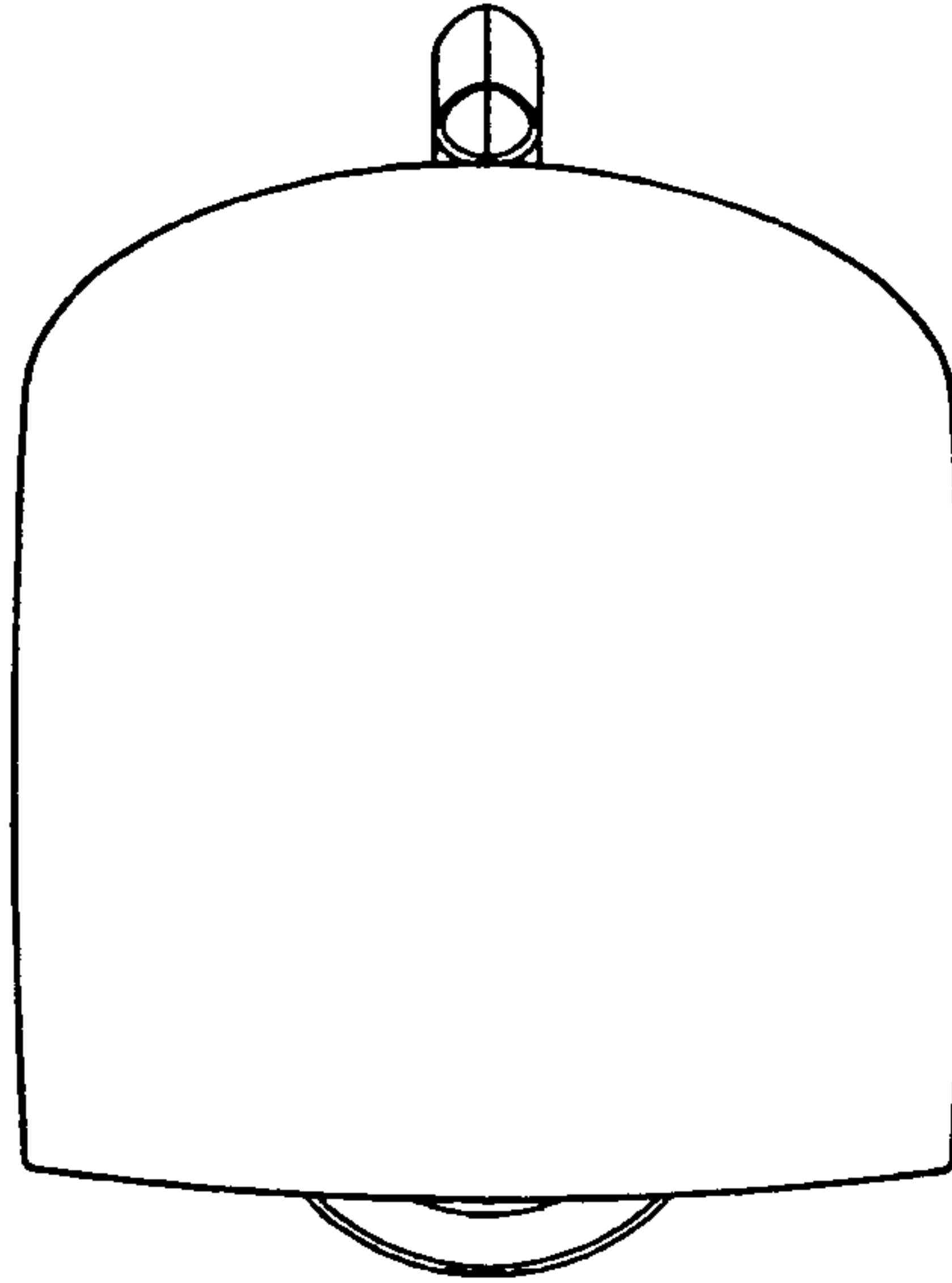


Fig. 7

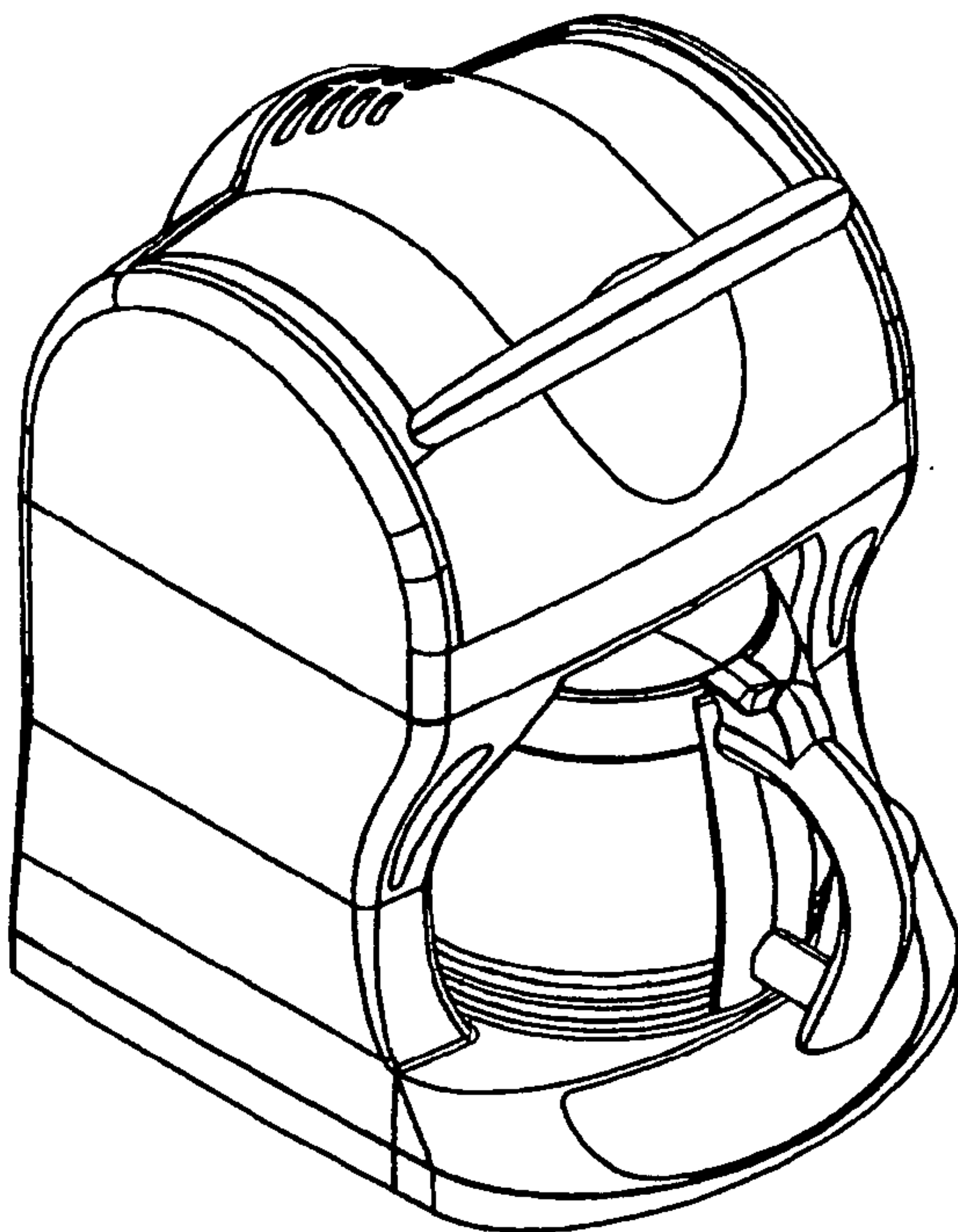


Fig. 8

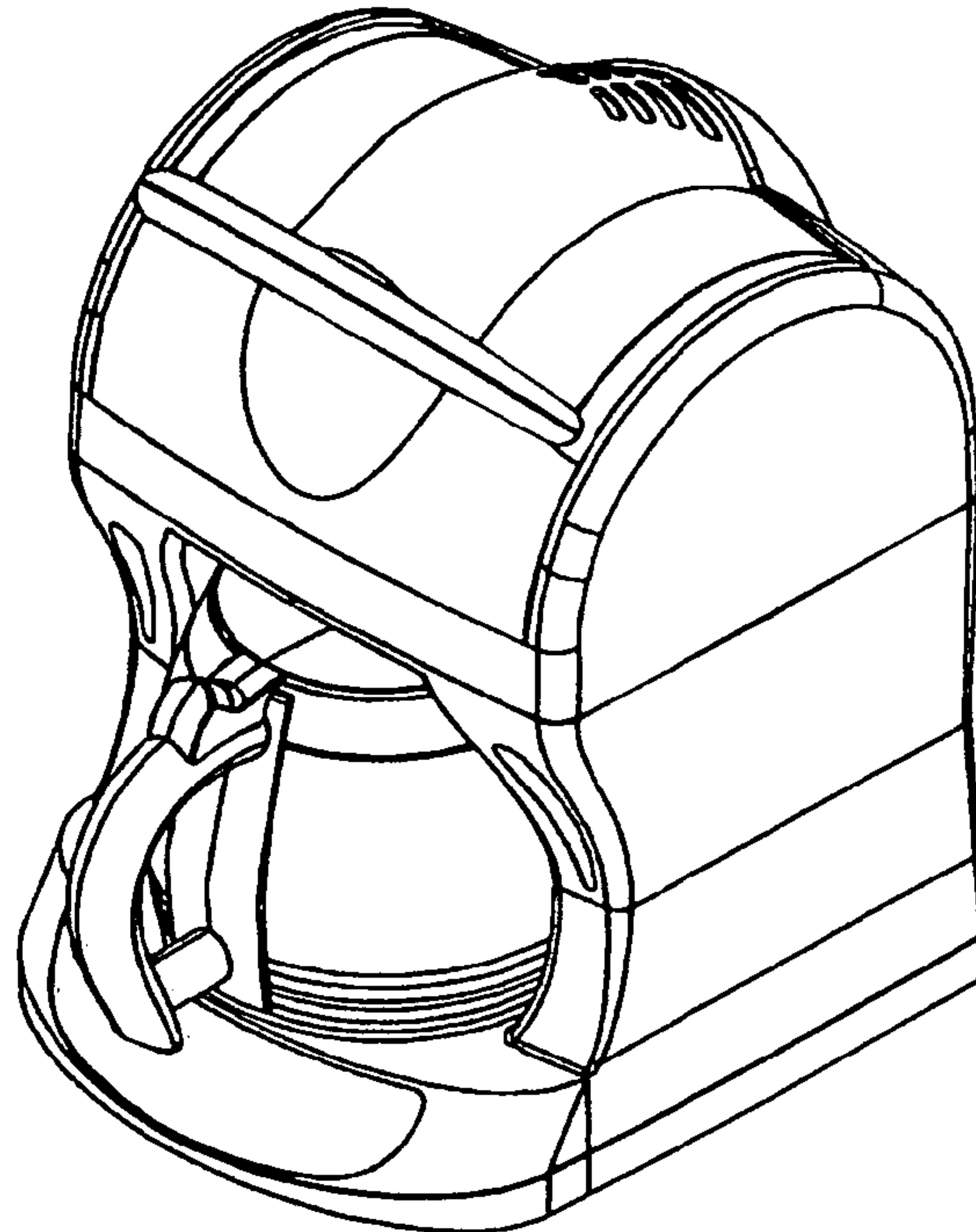


Fig. 9

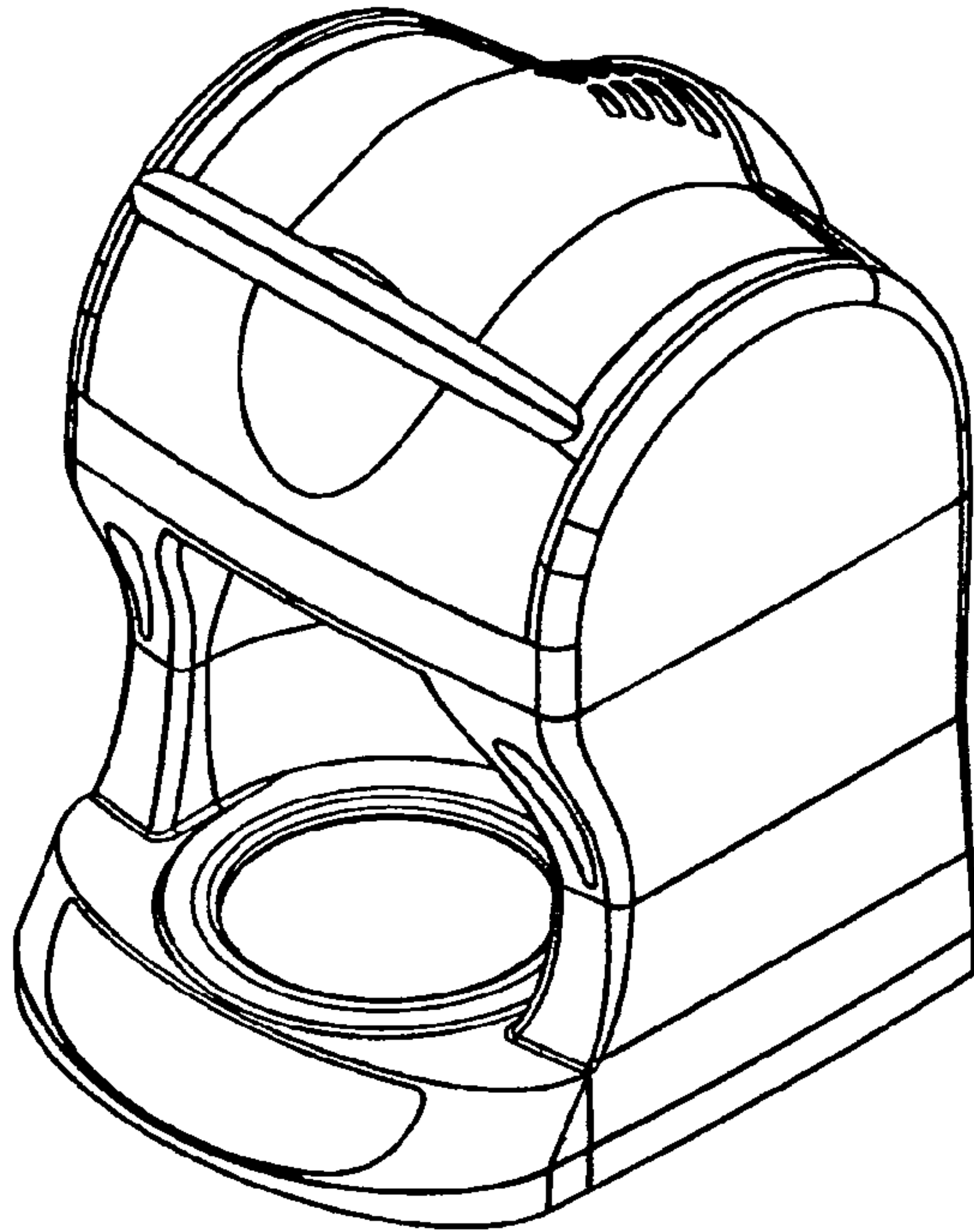


Fig. 10

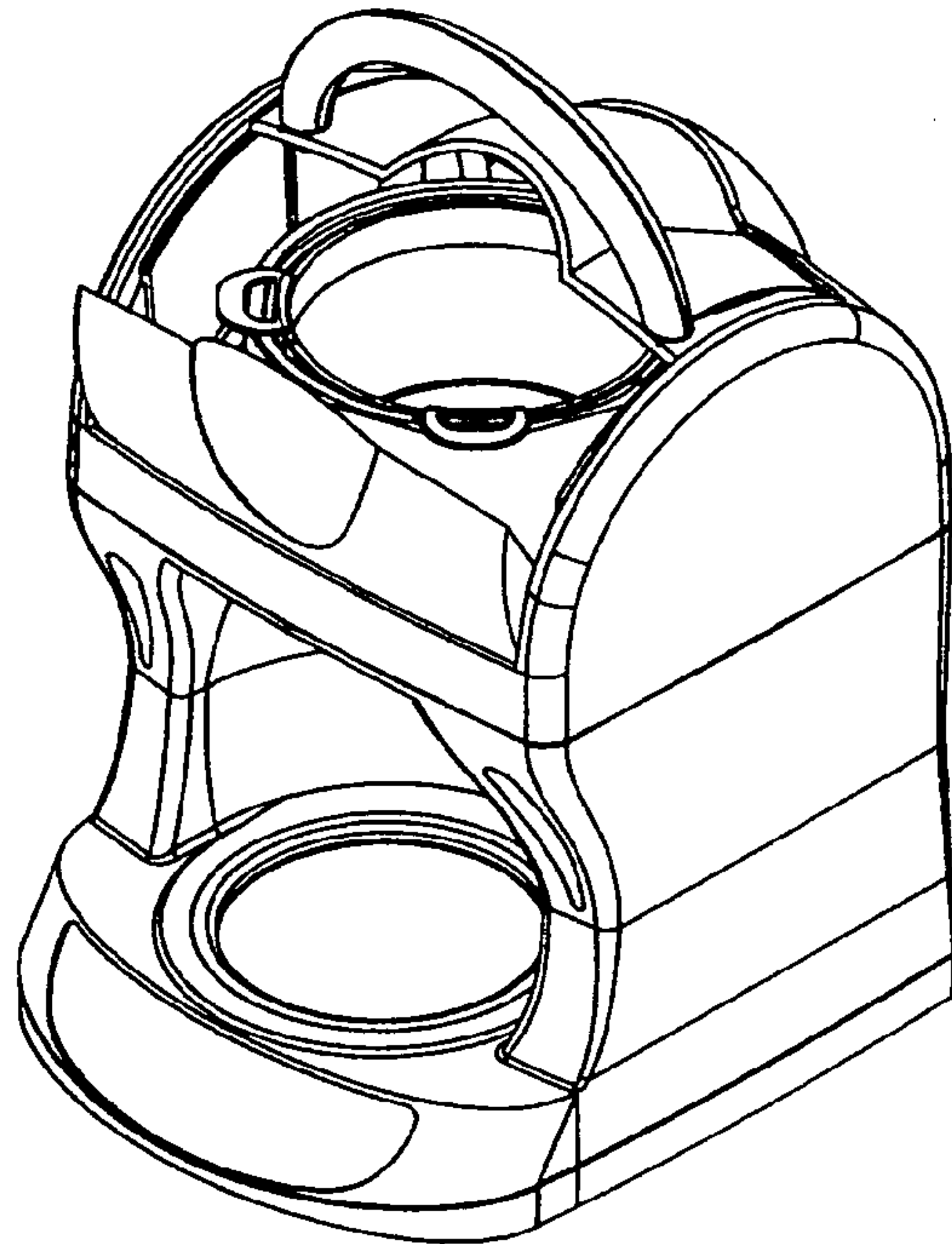


Fig. 11

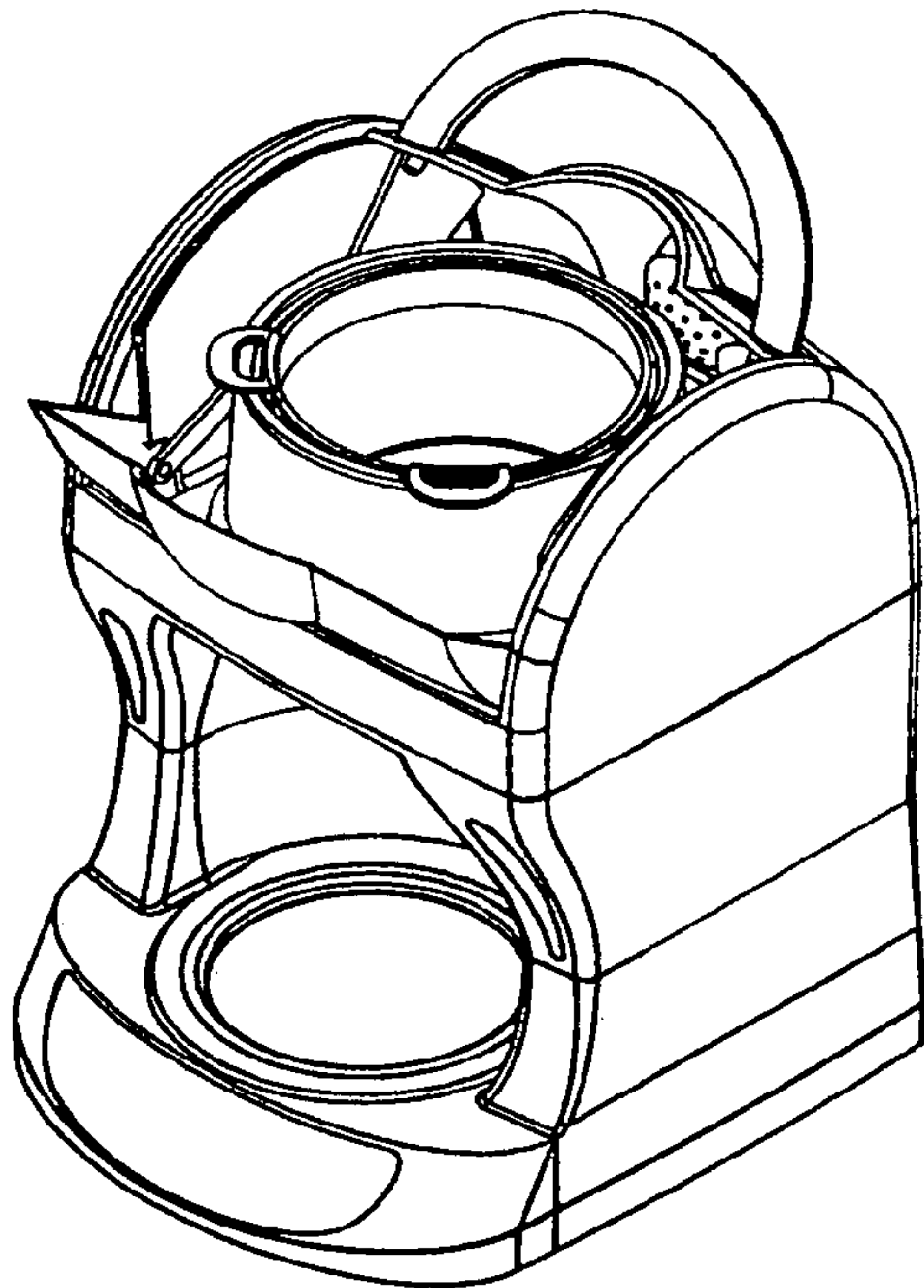


Fig. 12

