



US00D561514S

(12) **United States Design Patent**
Cortese

(10) **Patent No.:** **US D561,514 S**

(45) **Date of Patent:** **** Feb. 12, 2008**

(54) **COFFEE MACHINE**

(75) Inventor: **Virginio Cortese**, Turin (IT)

(73) Assignee: **SGL Italia S.R.L.**, Turin (IT)

(**) Term: **14 Years**

(21) Appl. No.: **29/264,197**

(22) Filed: **Aug. 4, 2006**

(30) **Foreign Application Priority Data**

Feb. 8, 2006 (EM) 476361

(51) **LOC (8) Cl.** **07-01**

(52) **U.S. Cl.** **D7/309; D7/311**

(58) **Field of Classification Search** D7/300,
D7/306, 309, 310, 311; 99/304, 381, 286,
99/279, 282, 293, 323.1

See application file for complete search history.

(56) **References Cited**

U.S. PATENT DOCUMENTS

D337,475 S *	7/1993	Seiffert	D7/309
D344,656 S *	3/1994	De Felip	D7/309
D364,306 S *	11/1995	Storsberg	D7/309
D377,576 S *	1/1997	Amiel	D7/309
D385,455 S *	10/1997	Cortese	D7/309
D390,060 S *	2/1998	Seiffert	D7/309
D396,987 S *	8/1998	Seiffert	D7/309
D400,046 S *	10/1998	Seiffert	D7/309
D411,403 S *	6/1999	Gudefin	D7/309
D431,748 S *	10/2000	Cahen	D7/309
D431,749 S *	10/2000	Cahen	D7/309
D431,750 S *	10/2000	Cahen	D7/309

D431,751 S *	10/2000	Cahen	D7/309
D441,593 S *	5/2001	Gudefin	D7/309
D449,198 S *	10/2001	Cahen	D7/309
D449,488 S *	10/2001	Cahen	D7/309
D477,963 S *	8/2003	Cahen	D7/309
D481,580 S *	11/2003	Daniels et al.	D7/309
D486,346 S *	2/2004	Jonsson	D7/309
D495,189 S *	8/2004	Cahen	D7/309
D514,371 S *	2/2006	Yang et al.	D7/309
D536,782 S *	2/2007	Koizumi et al.	D24/108
D536,917 S *	2/2007	McWilliam	D7/309
D538,578 S *	3/2007	McWilliam	D7/309
D540,101 S *	4/2007	Cahen	D7/309

* cited by examiner

Primary Examiner—M. N. Pandozzi

(74) *Attorney, Agent, or Firm*—Mitchell P. Brook, Esq.;
Luce, Forward, Hamilton & Scripps LLP

(57) **CLAIM**

The ornamental design for a coffee machine, as shown and described.

DESCRIPTION

FIG. 1 is a perspective view of a coffee machine showing my new design;

FIG. 2 is a front view of my new design;

FIG. 3 is a back view of my new design;

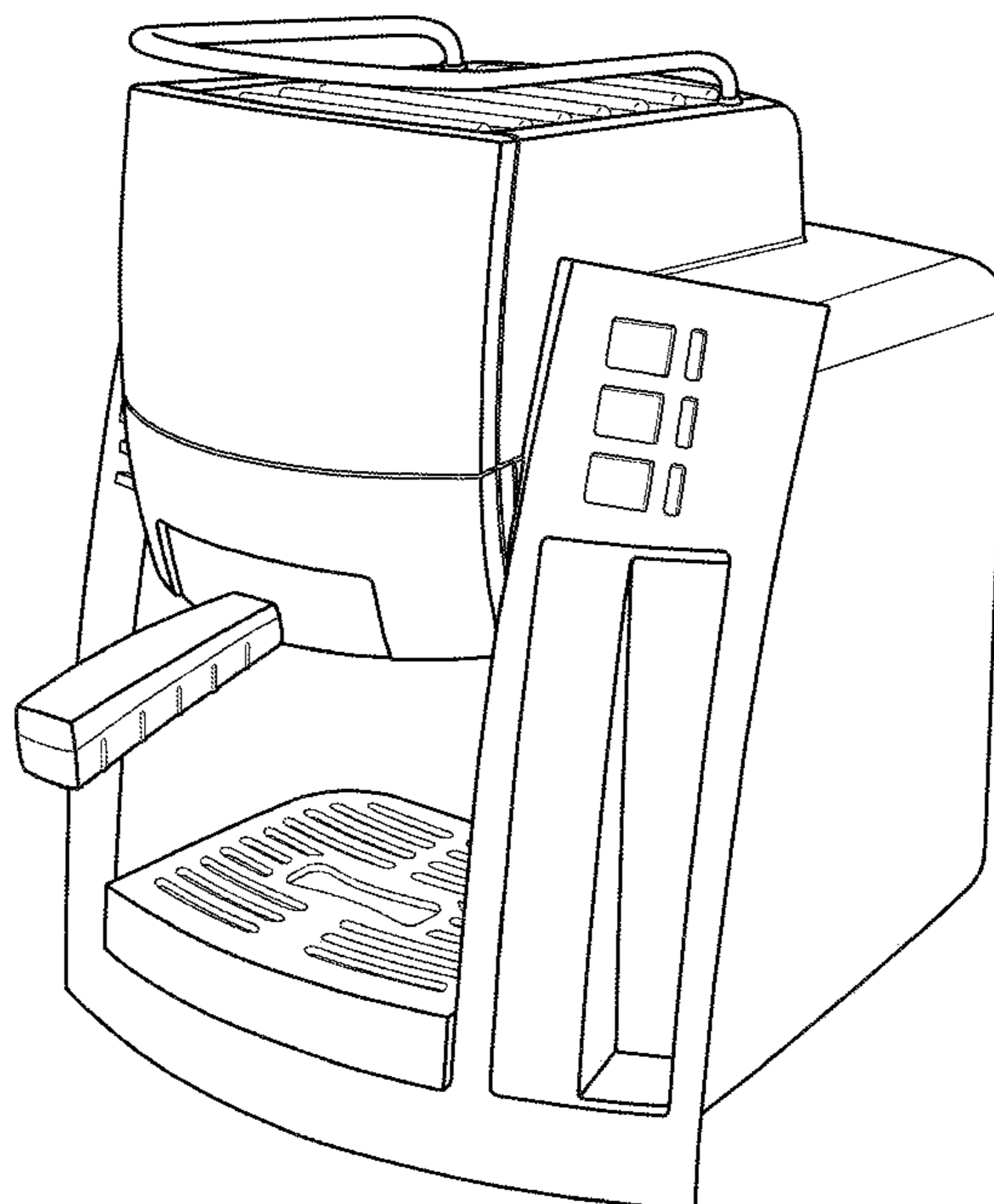
FIG. 4 is a right side view of my new design;

FIG. 5 is a left side view of my new design;

FIG. 6 is a top view of my new design; and,

FIG. 7 is a bottom view of my new design.

1 Claim, 7 Drawing Sheets



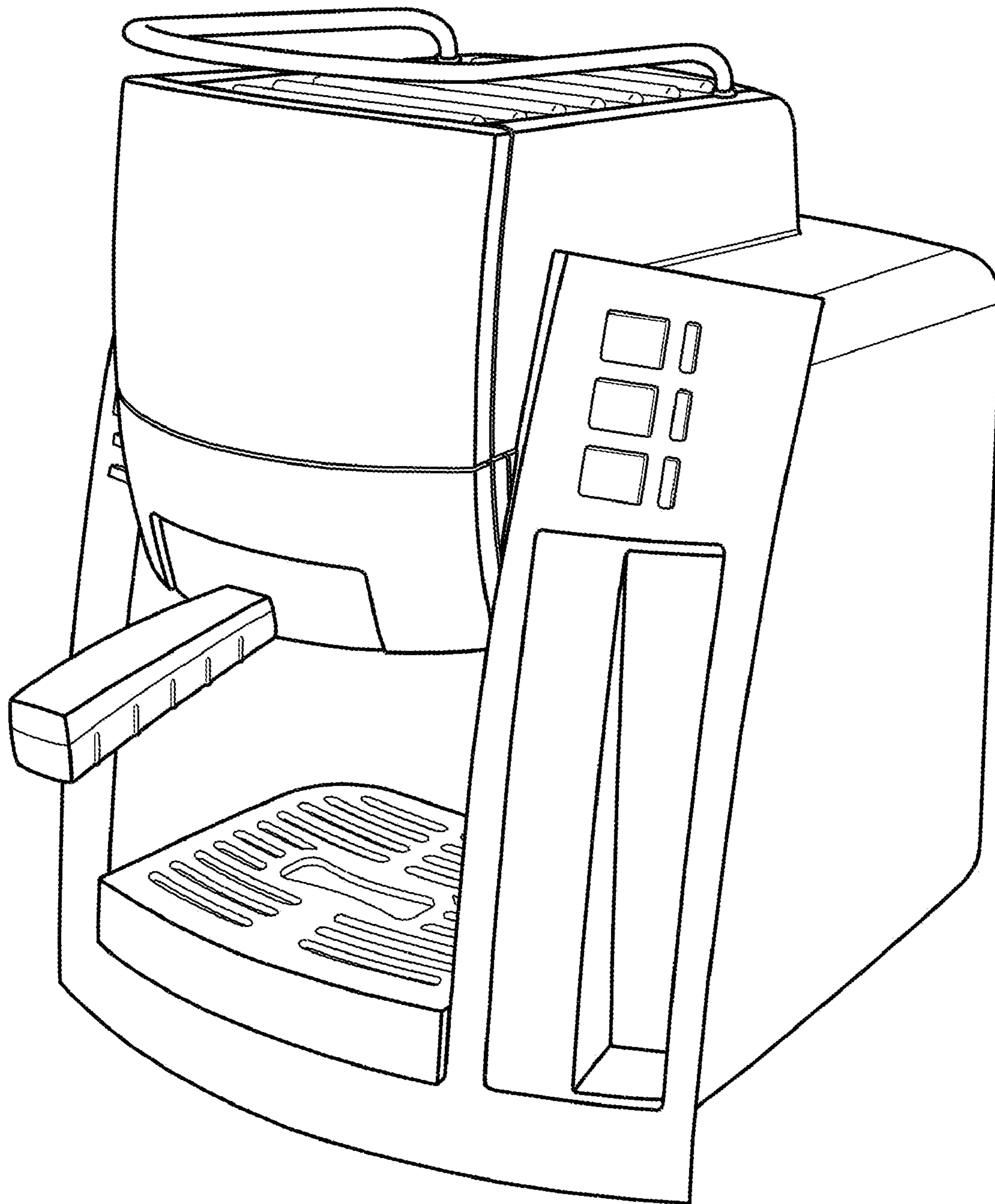


FIG. 1

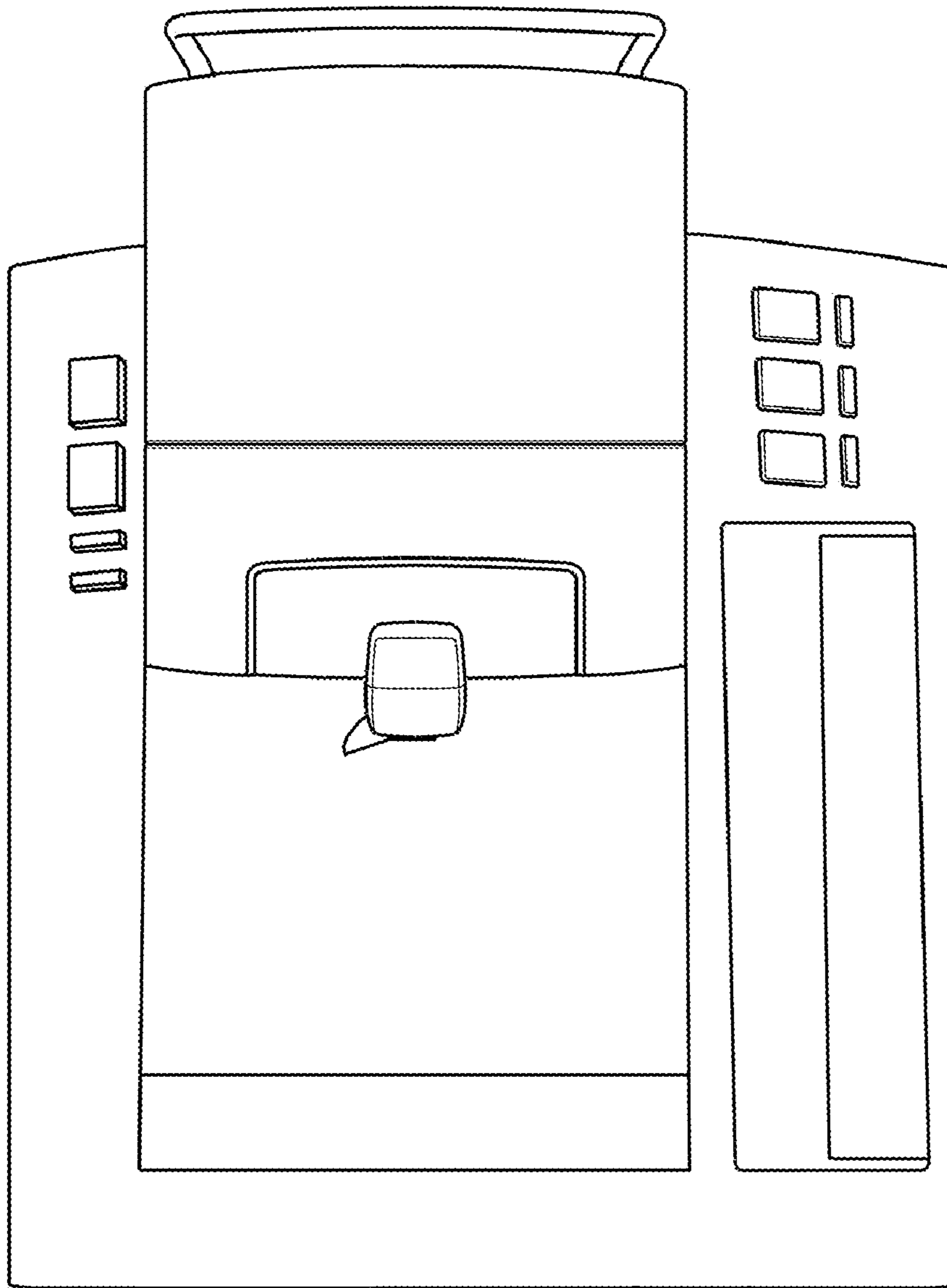


FIG. 2

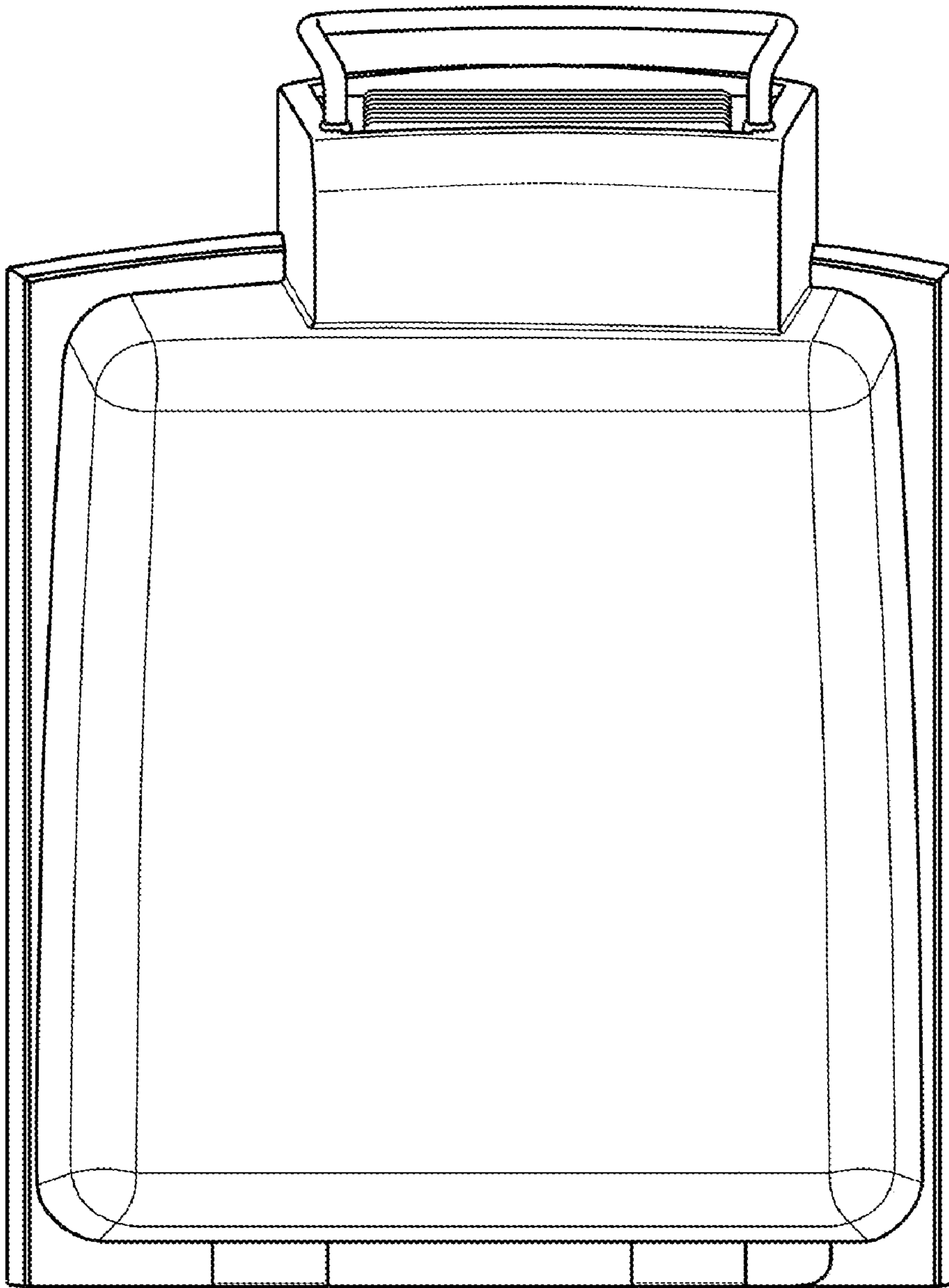


FIG. 3

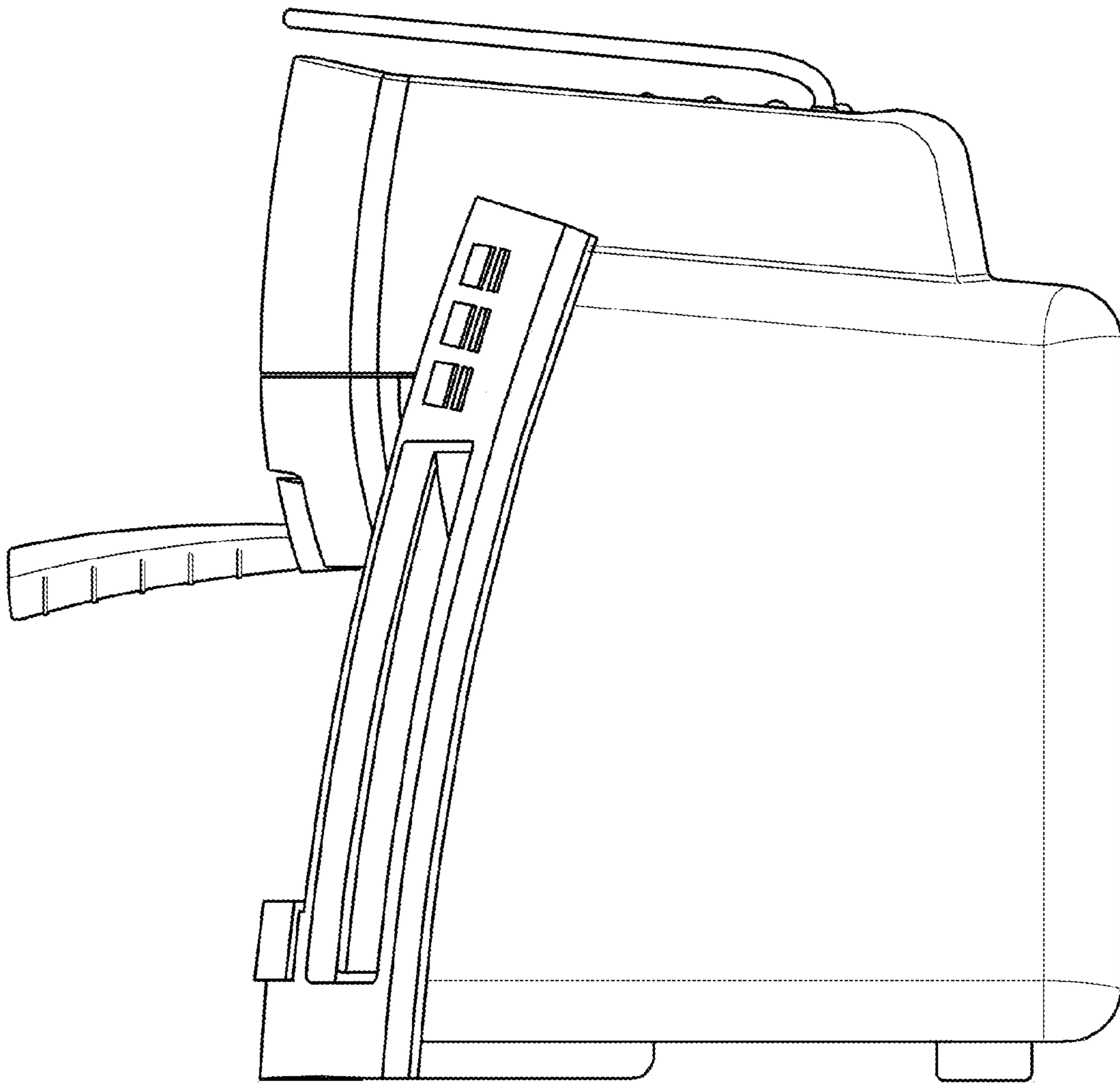


FIG. 4

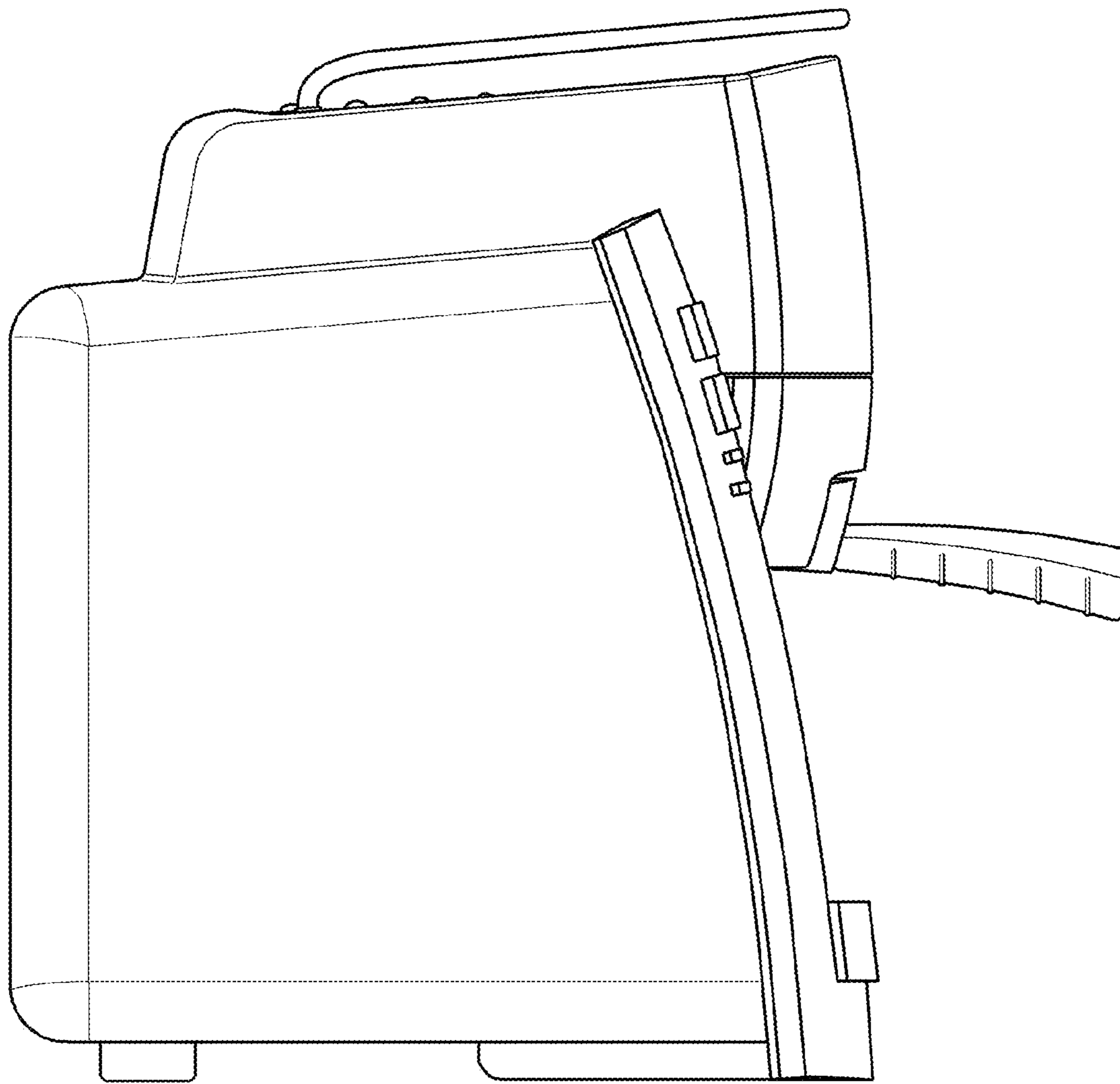


FIG. 5

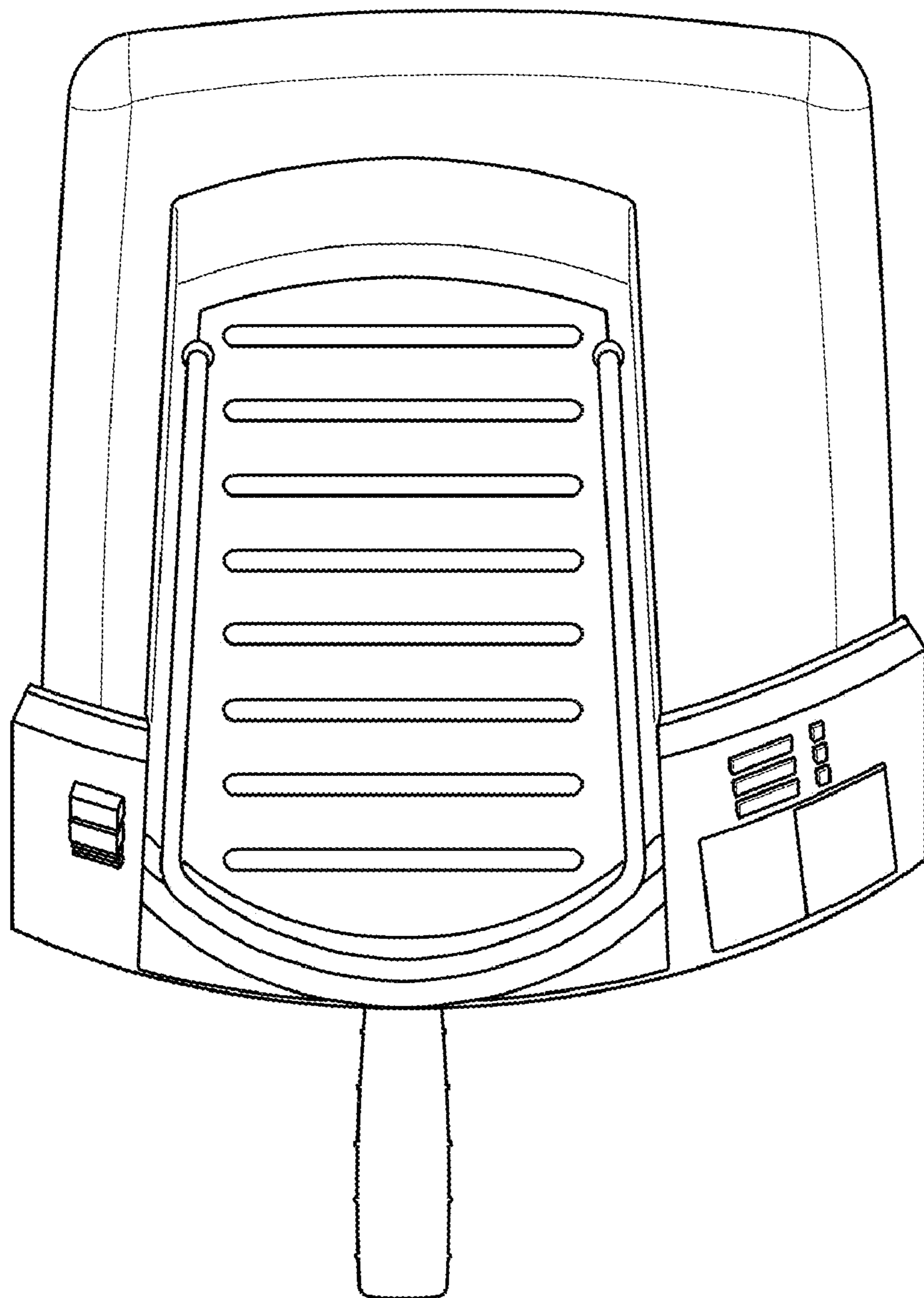


FIG. 6

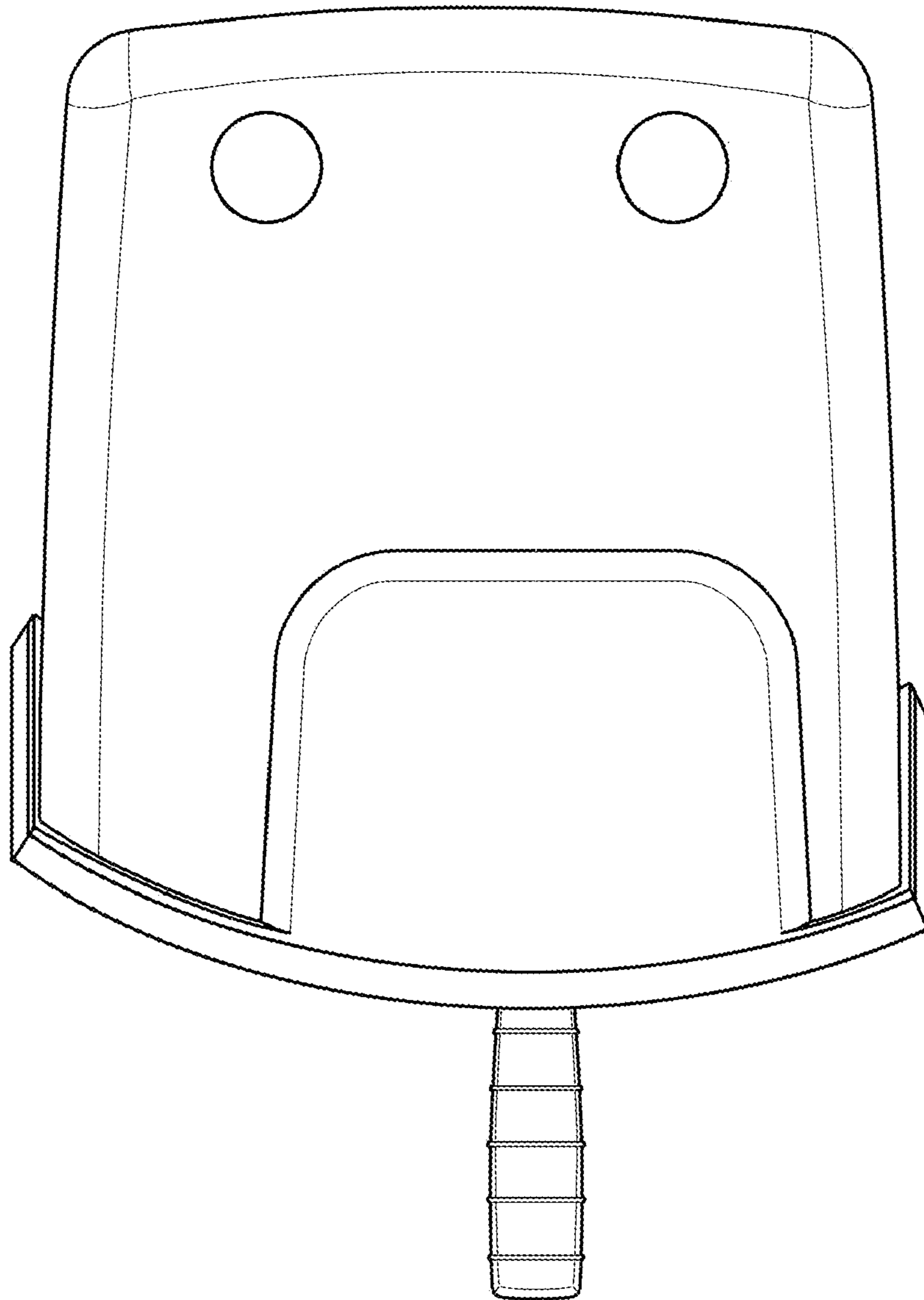


FIG. 7