



US00D561510S

(12) **United States Design Patent**  
**Fritz**

(10) **Patent No.:** **US D561,510 S**  
(45) **Date of Patent:** **\*\* Feb. 12, 2008**

(54) **SOAP DISPENSER**

(75) Inventor: **Seth A. Fritz**, Indianapolis, IN (US)

(73) Assignee: **Masco Corporation of Indiana**,  
Indianapolis, IN (US)

(\*\*) Term: **14 Years**

(21) Appl. No.: **29/280,743**

(22) Filed: **Jun. 6, 2007**

(51) **LOC (8) Cl.** ..... **23-02**

(52) **U.S. Cl.** ..... **D6/542**

(58) **Field of Classification Search** ..... D6/542-545;  
221/282; 222/14, 173, 146.3, 628, 251, 181.1,  
222/181.3; D9/682, 688, 690, 691, 448,  
D9/449

See application file for complete search history.

(56) **References Cited**

**U.S. PATENT DOCUMENTS**

D349,649 S *	8/1994	Hanna	.....	D9/448
D438,041 S *	2/2001	Huang	.....	D6/542
D451,735 S *	12/2001	Hanna	.....	D6/542
D466,588 S *	12/2002	Lord	.....	D6/542
D479,779 S *	9/2003	Zhao	.....	D6/542
D488,716 S *	4/2004	Dretzka	.....	D9/448
D489,617 S *	5/2004	Snell	.....	D9/448

D495,032 S *	8/2004	Dretzka	.....	D6/542
D519,372 S *	4/2006	Hsieh	.....	D6/542
D531,441 S *	11/2006	Soriano	.....	D6/542
D538,092 S *	3/2007	Snell	.....	D6/542
D554,926 S *	11/2007	Genord et al.	.....	D6/542

\* cited by examiner

*Primary Examiner*—Brian N Vinson

(74) *Attorney, Agent, or Firm*—Leon E. Redman; Lloyd D. Doigan

(57) **CLAIM**

The ornamental design for a soap dispenser, as shown and described.

**DESCRIPTION**

FIG. 1 is a front perspective view of a soap dispenser showing my new design;

FIG. 2 is a right side elevational view thereof;

FIG. 3 is a left side elevational view thereof;

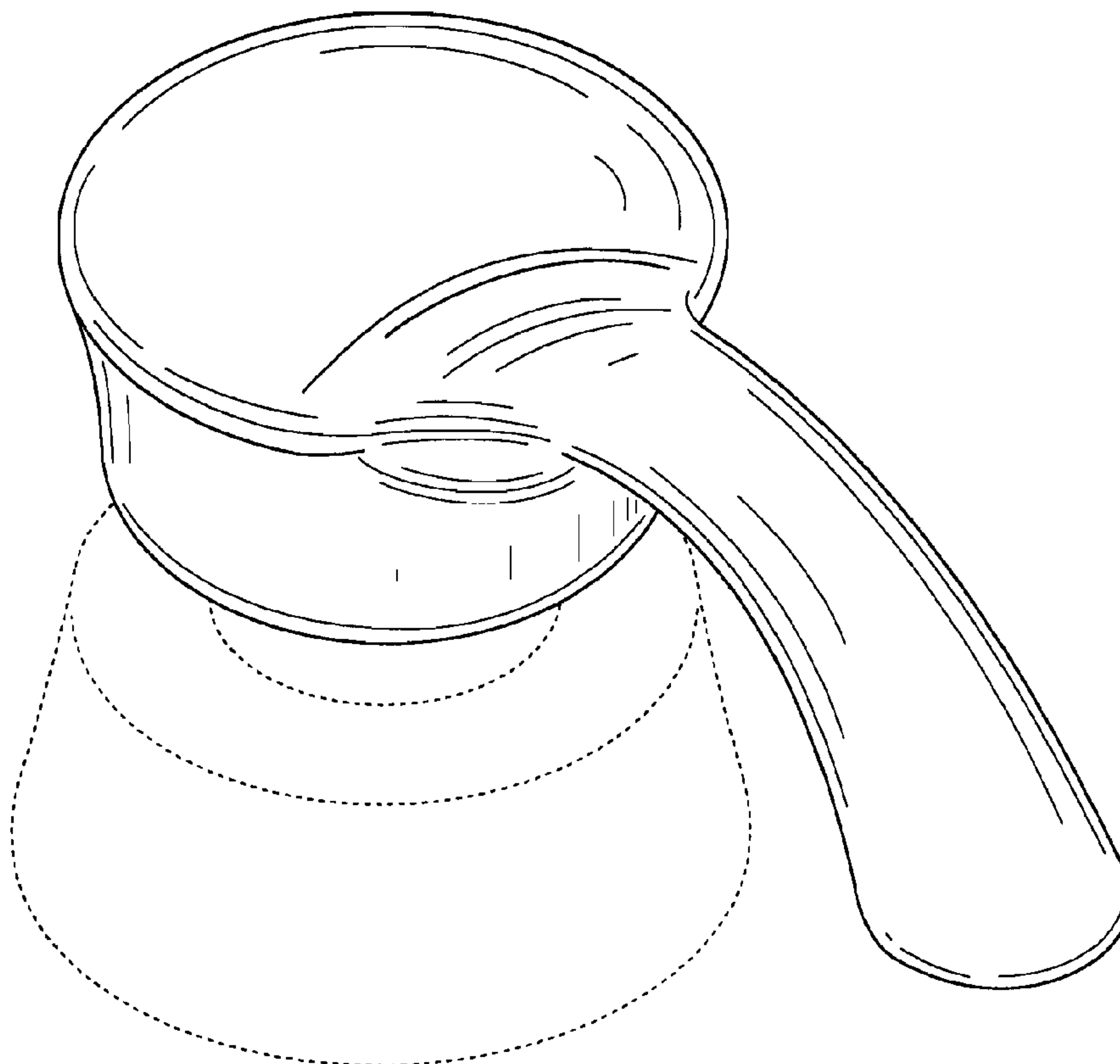
FIG. 4 is a top plan view thereof;

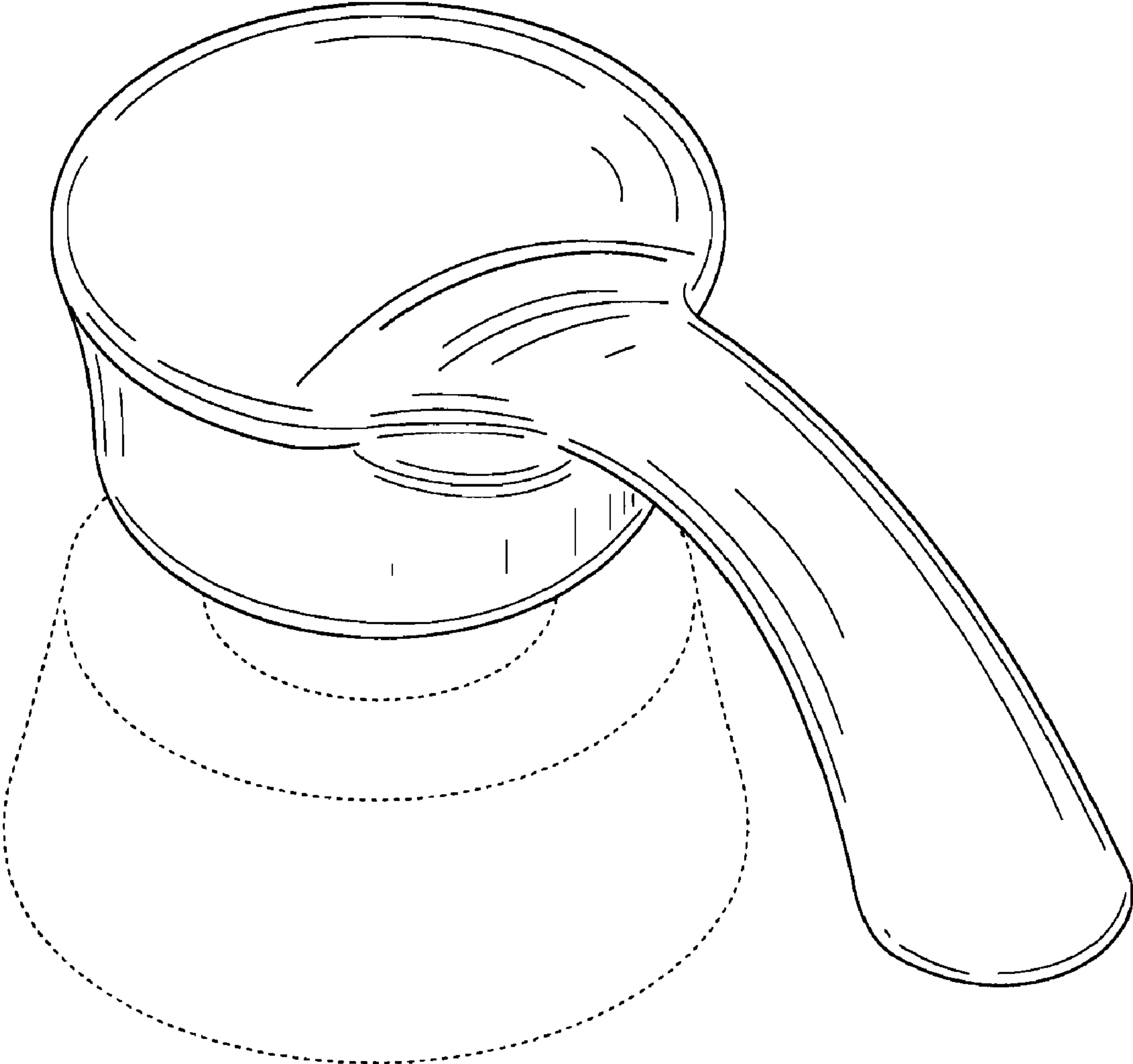
FIG. 5 is a rear elevational view thereof; and,

FIG. 6 is a front elevational view thereof.

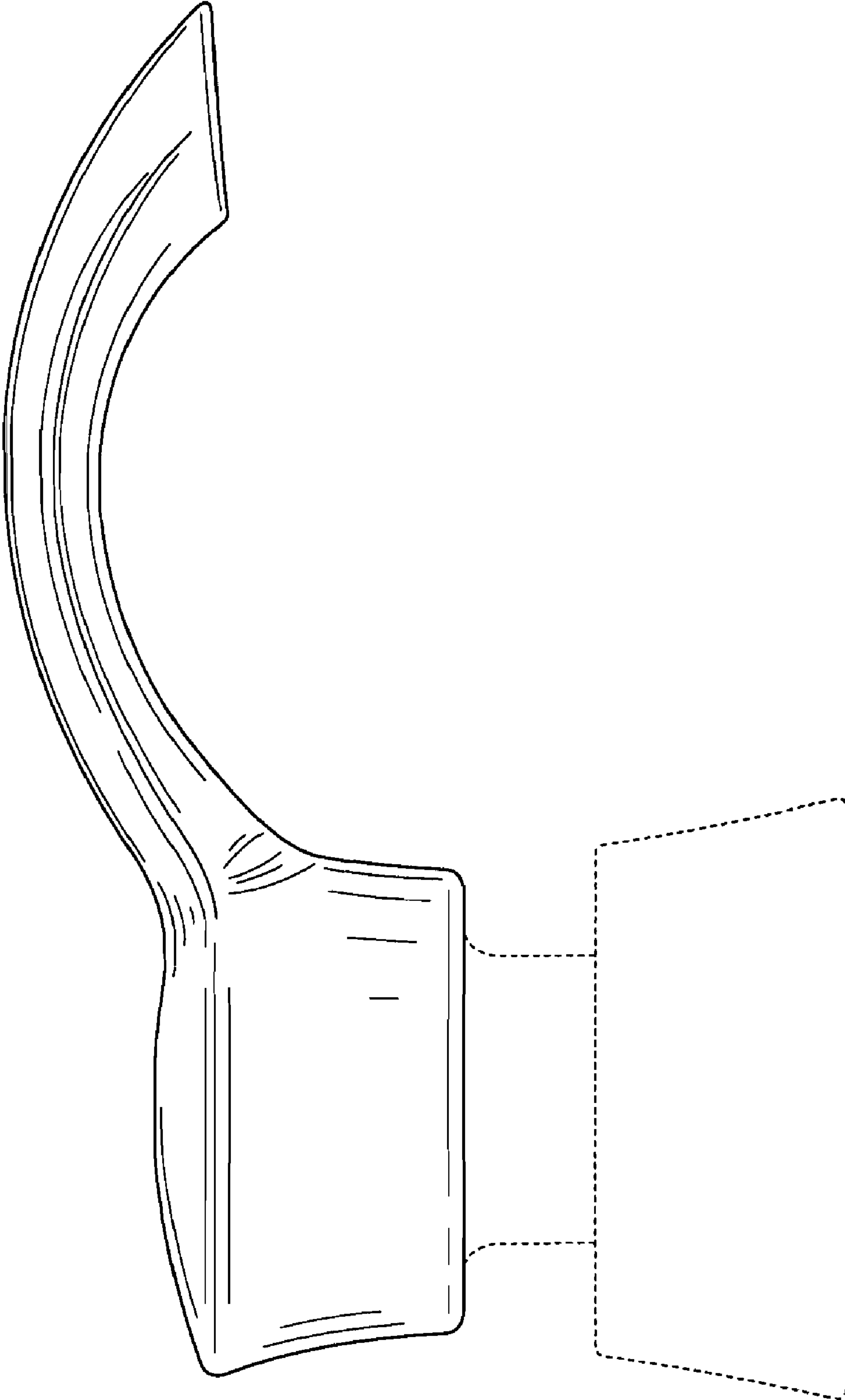
The broken lines in the Figures are for illustrative purposes only and form no part of the claimed design.

**1 Claim, 5 Drawing Sheets**





**FIG. 1**



**FIG. 2**

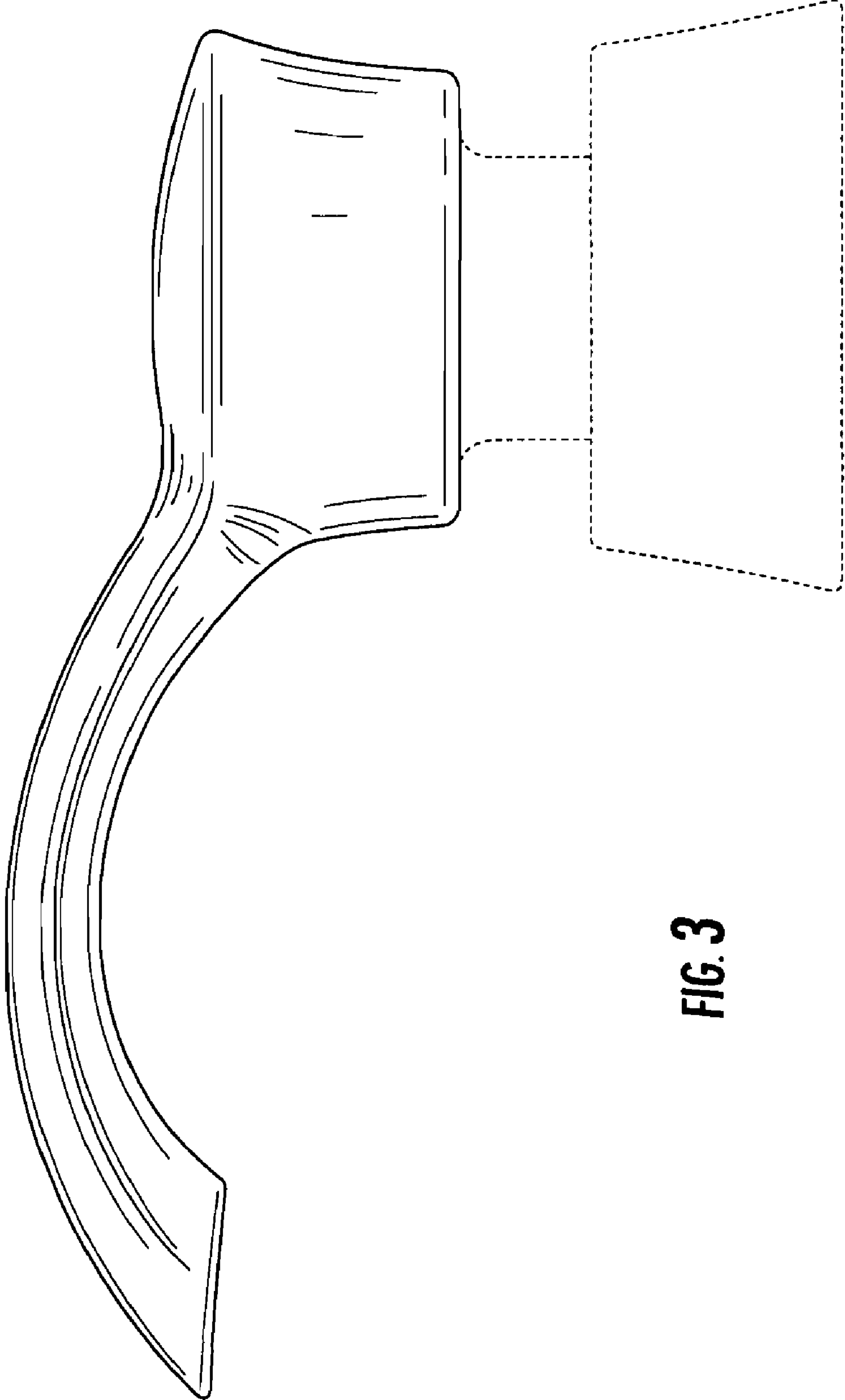
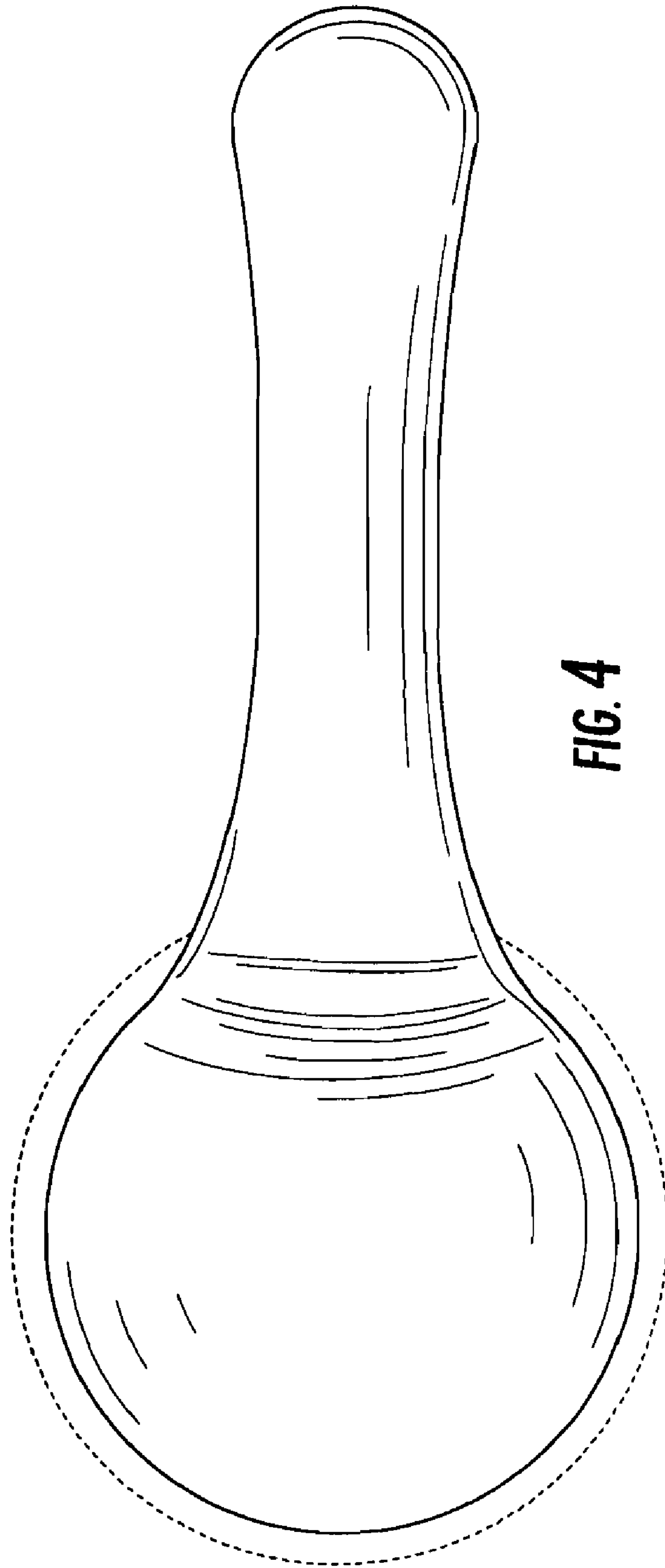
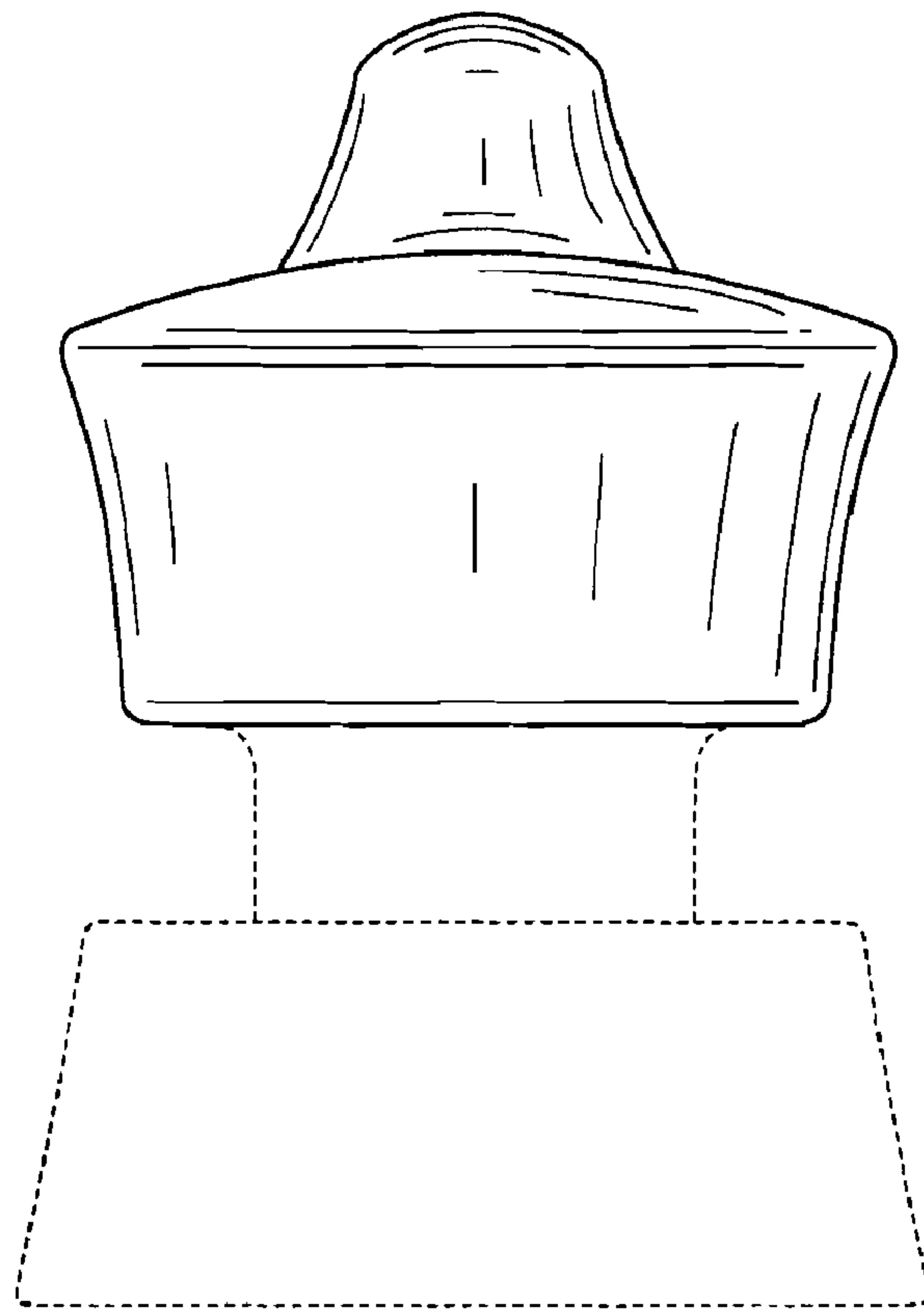


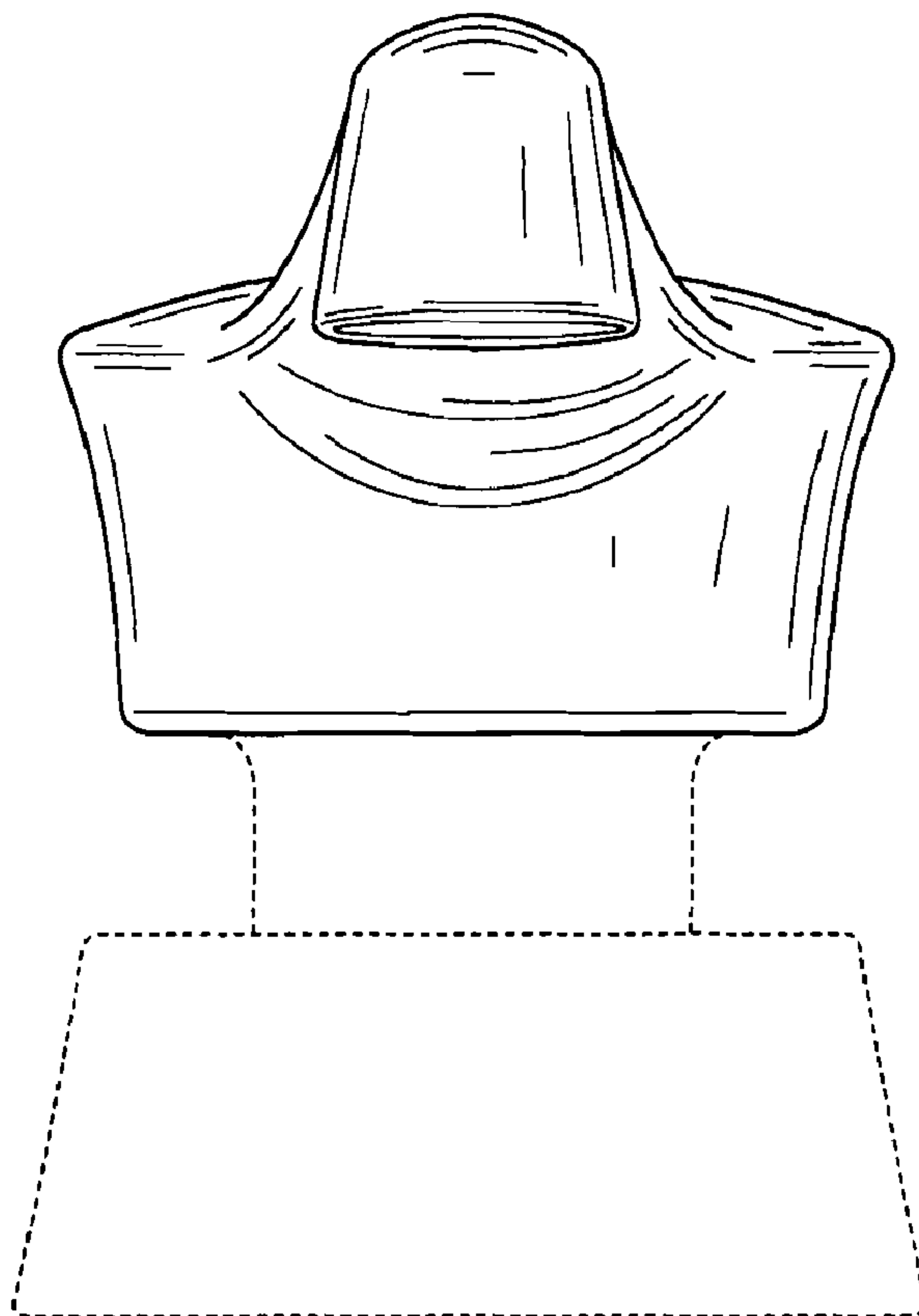
FIG. 3



**FIG. 4**



**FIG. 5**



**FIG. 6**