



US00D561509S

(12) **United States Design Patent** (10) **Patent No.:** **US D561,509 S**
Starck et al. (45) **Date of Patent:** **** Feb. 12, 2008**

(54) **TOOTHBRUSH SANITIZER DRIP CUP**

(75) Inventors: **Philippe Starck**, 27 rue Pierre POLI,
Issy les Moulineaux (FR) 92130; **Joel Pinsky**, New York, NY (US)

(73) Assignee: **Philippe Starck**, Issey les Moulineaux (FR)

(**) Term: **14 Years**

(21) Appl. No.: **29/267,527**

(22) Filed: **Oct. 16, 2006**

Related U.S. Application Data

(60) Continuation-in-part of application No. 29/252,051, filed on Jan. 18, 2006, now Pat. No. Des. 539,582, which is a division of application No. 29/186,588, filed on Jul. 21, 2003, now Pat. No. Des. 523,674, and a continuation-in-part of application No. 10/622,788, filed on Jul. 21, 2003, now Pat. No. 7,213,603, application No. 29/267,527, which is a continuation-in-part of application No. 10/622,788.

(51) **LOC (8) Cl.** **23-02**

(52) **U.S. Cl.** **D6/534**

(58) **Field of Classification Search** D6/526-528, D6/534; 206/208, 209, 228, 209.1, 361, 206/362.1, 362.2, 362.3; 211/13.1, 65-66, 211/70.6, 86.01, 87.01

See application file for complete search history.

(56) **References Cited**

U.S. PATENT DOCUMENTS

D342,636 S * 12/1993 Booth D6/534
D440,089 S * 4/2001 Lillelund et al. D6/534
D527,560 S * 9/2006 Bar Noy D6/534

D530,949 S * 10/2006 Snell D6/534
D538,091 S * 3/2007 Roth D6/534
D539,582 S * 4/2007 Starck et al. D6/534
D543,750 S * 6/2007 Hines D6/534
D545,062 S * 6/2007 Nagoya D4/113
D546,607 S * 7/2007 Dretzka D6/534

* cited by examiner

Primary Examiner—Brian N Vinson
(74) *Attorney, Agent, or Firm*—Robert Platt Bell

(57) **CLAIM**

The ornamental design for a toothbrush sanitizer drip cup, as substantially as shown and described.

DESCRIPTION

FIG. 1 is a top perspective view of the toothbrush sanitizer drip cup of the present invention.

FIG. 2 is a bottom perspective view of the toothbrush sanitizer drip cup of the present invention. The bottom edge of the cap is expressly disclaimed.

FIG. 3 is a top view of the toothbrush sanitizer drip cup of the present invention.

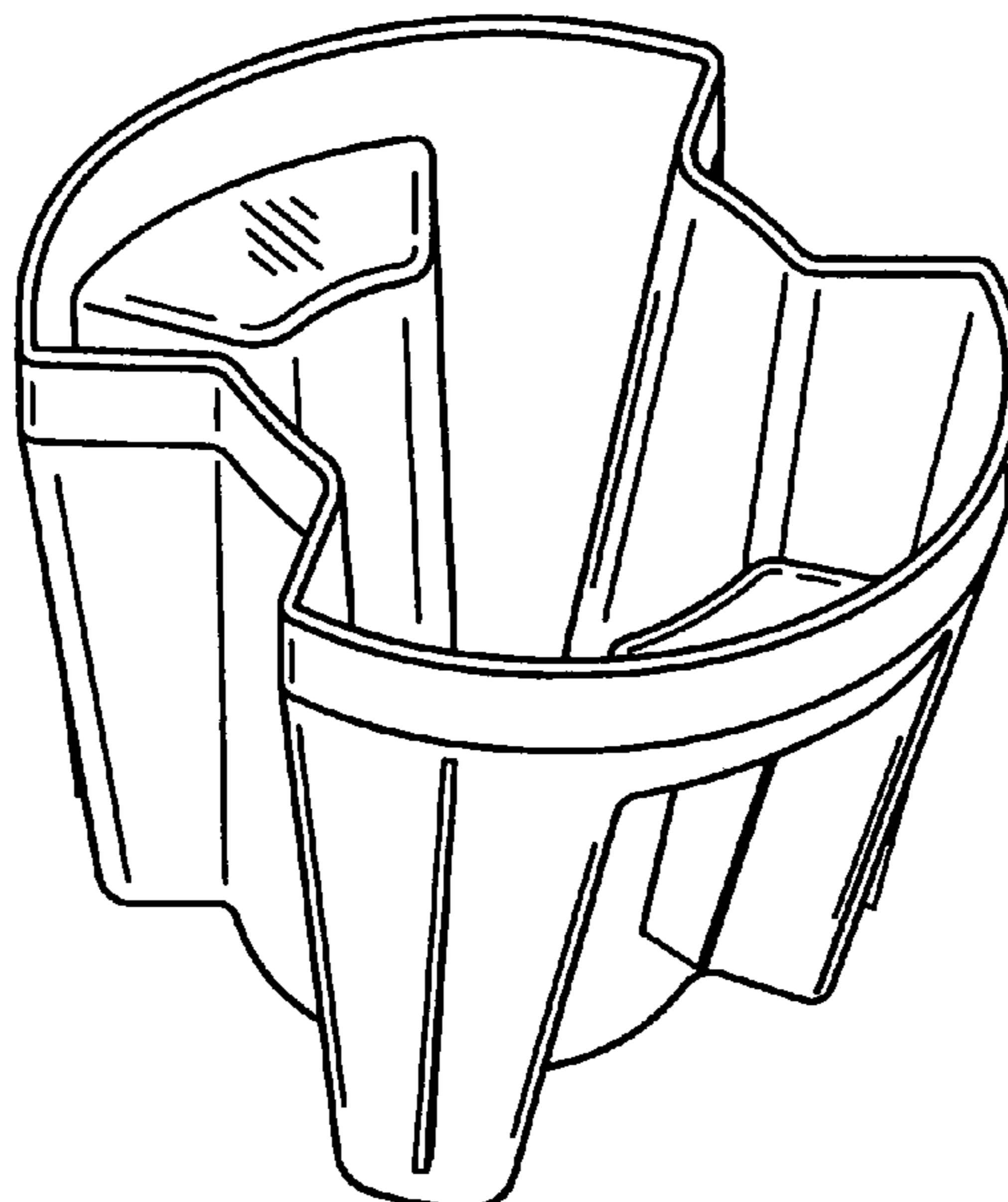
FIG. 4 is a bottom view of the toothbrush sanitizer drip cup of the present invention.

FIG. 5 is a front elevational view of the toothbrush sanitizer drip cup of the present invention. The bottom edge of the cap is expressly disclaimed.

FIG. 6 is a rear elevational view of the toothbrush sanitizer drip cup of the present invention; and,

FIG. 7 is a right side elevational view of the toothbrush sanitizer drip cup of the present invention. The left side elevational view is identical to FIG. 7.

1 Claim, 3 Drawing Sheets



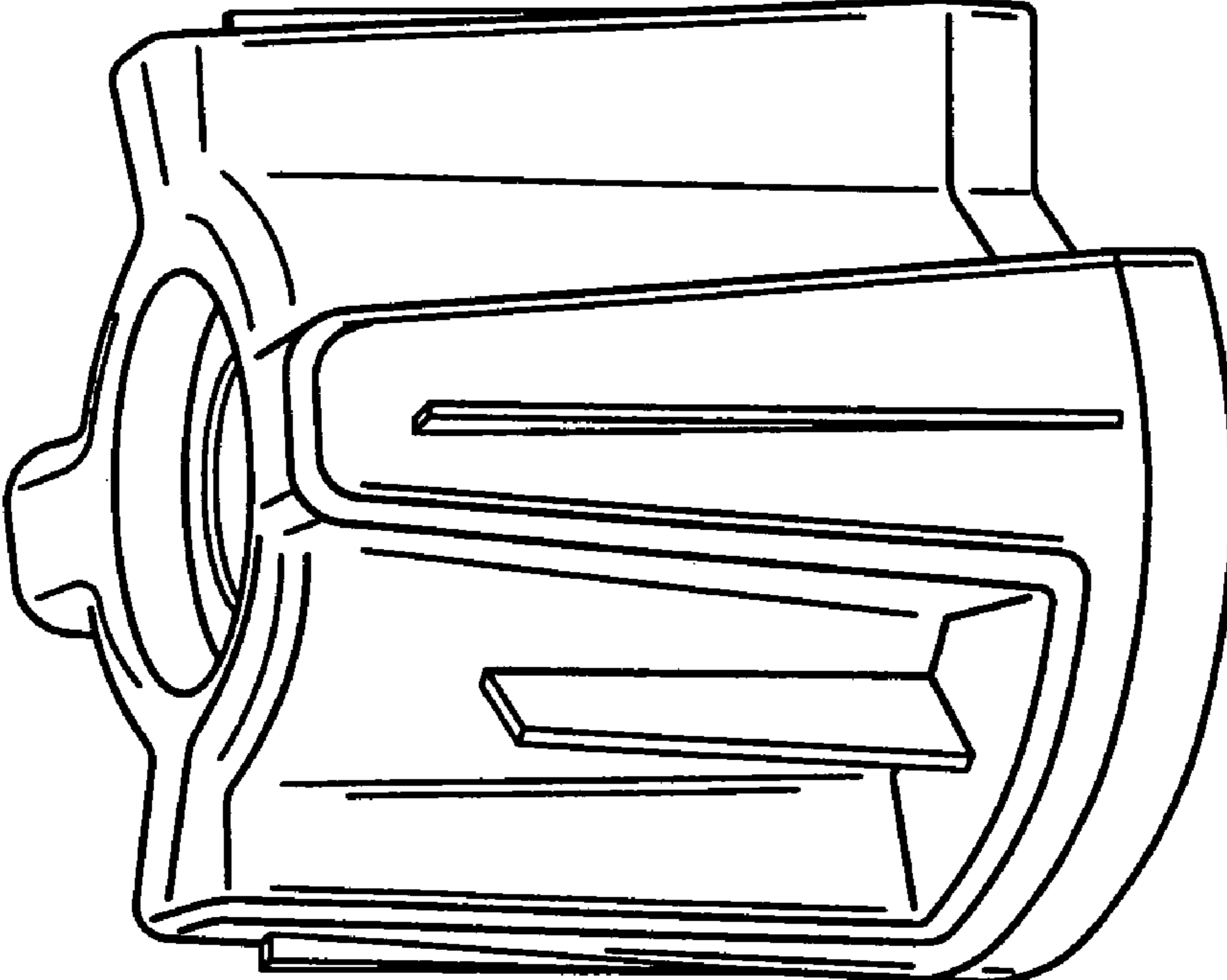


FIG. 1

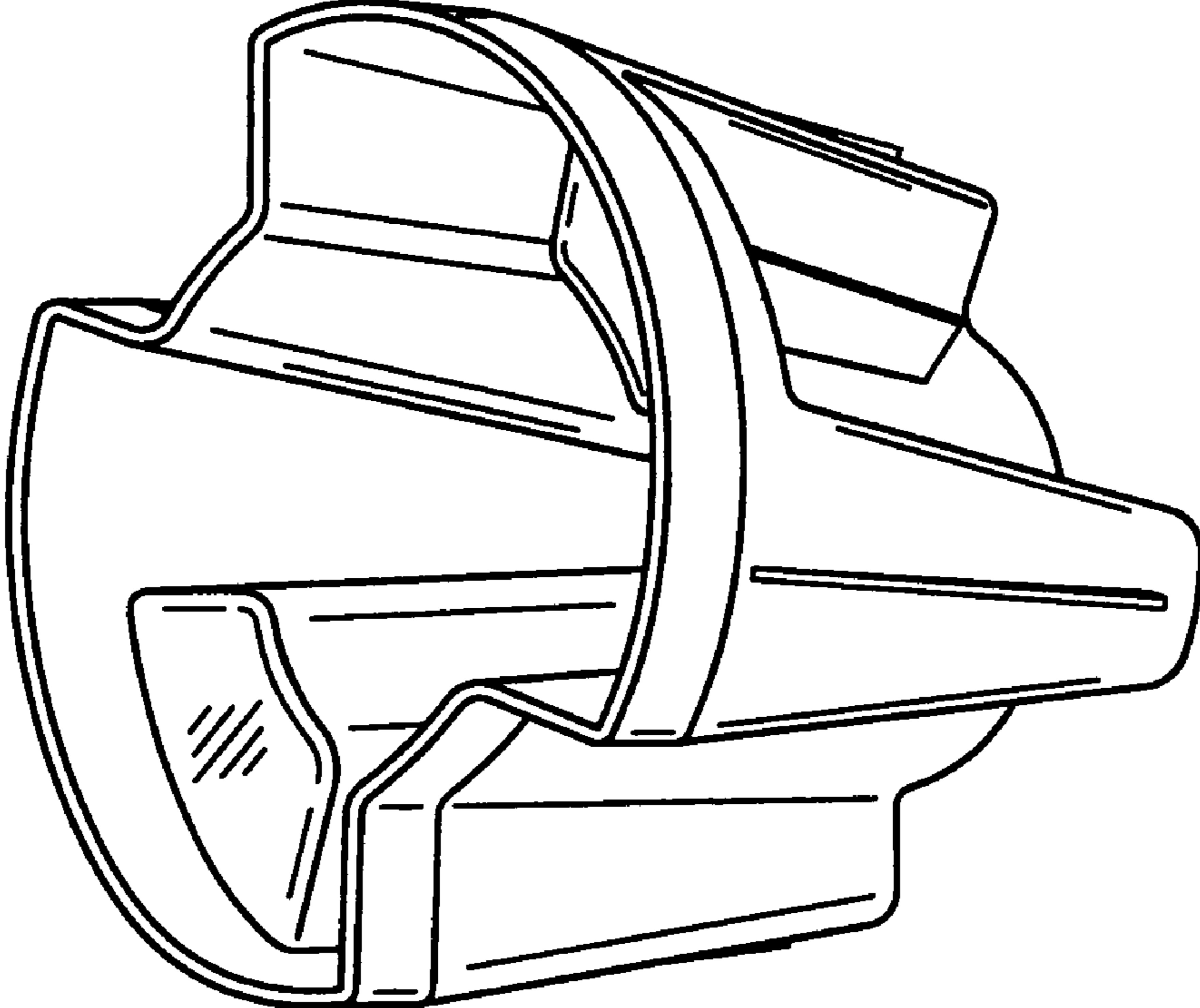


FIG. 2

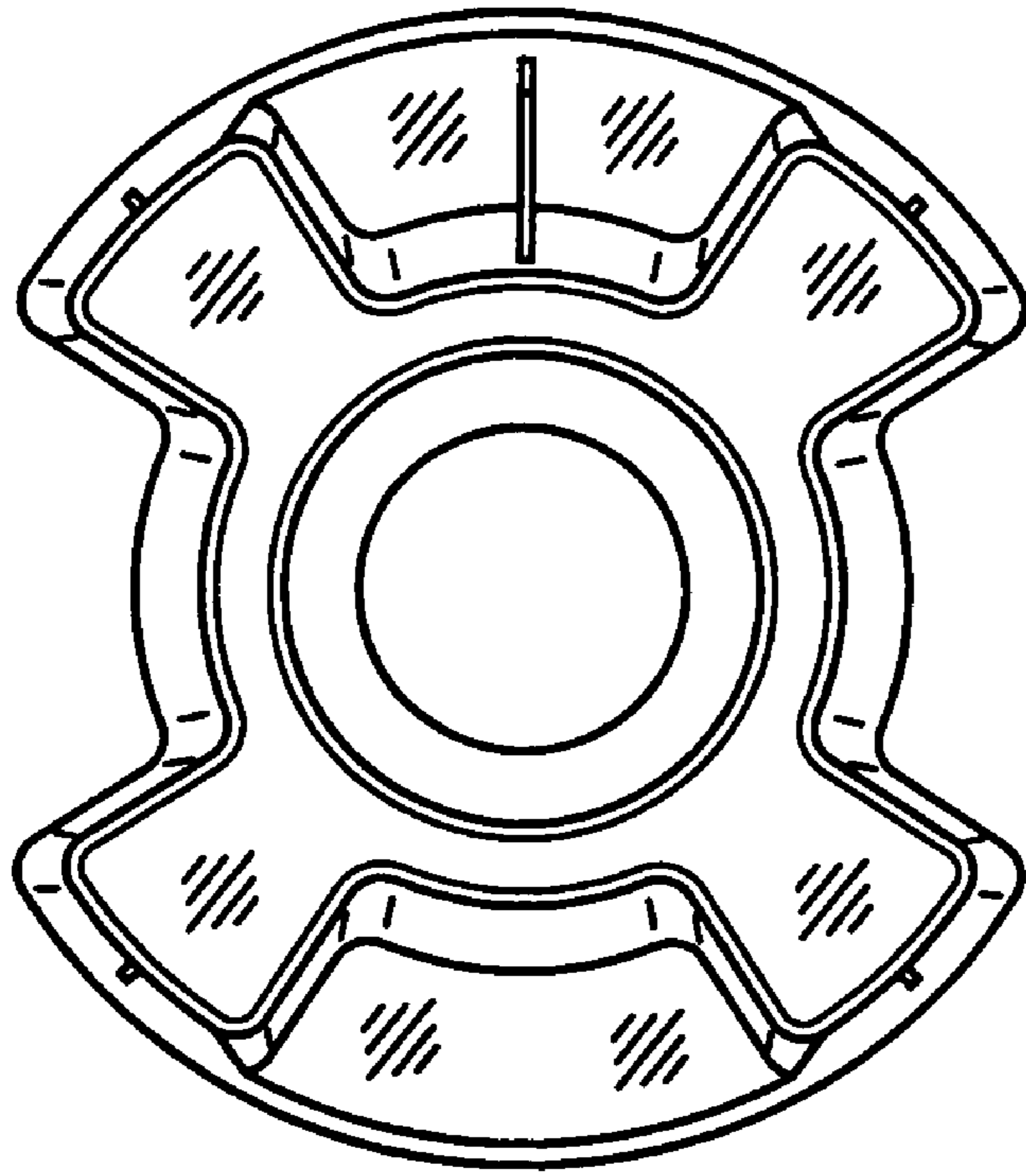


FIG. 4

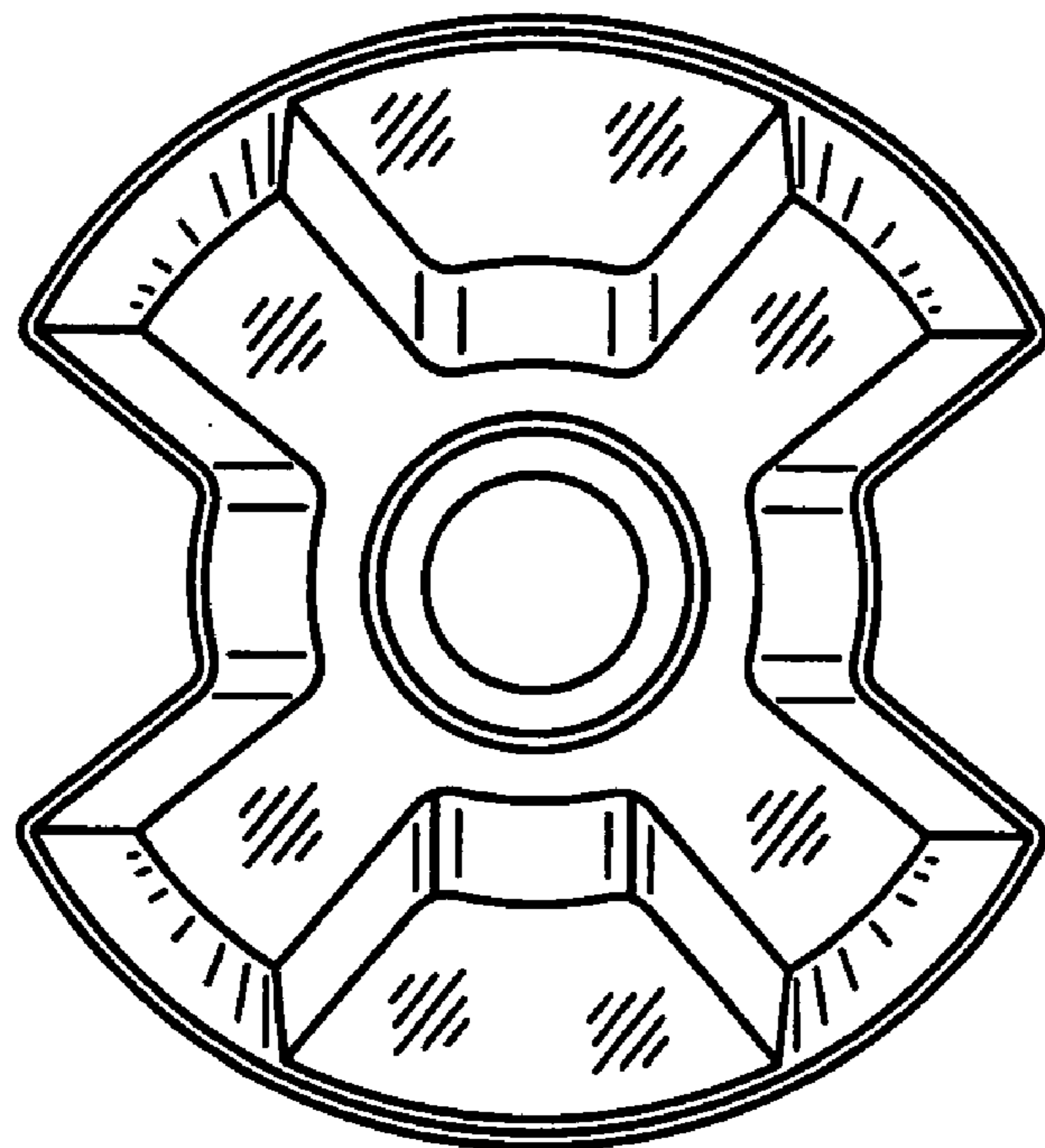


FIG. 3

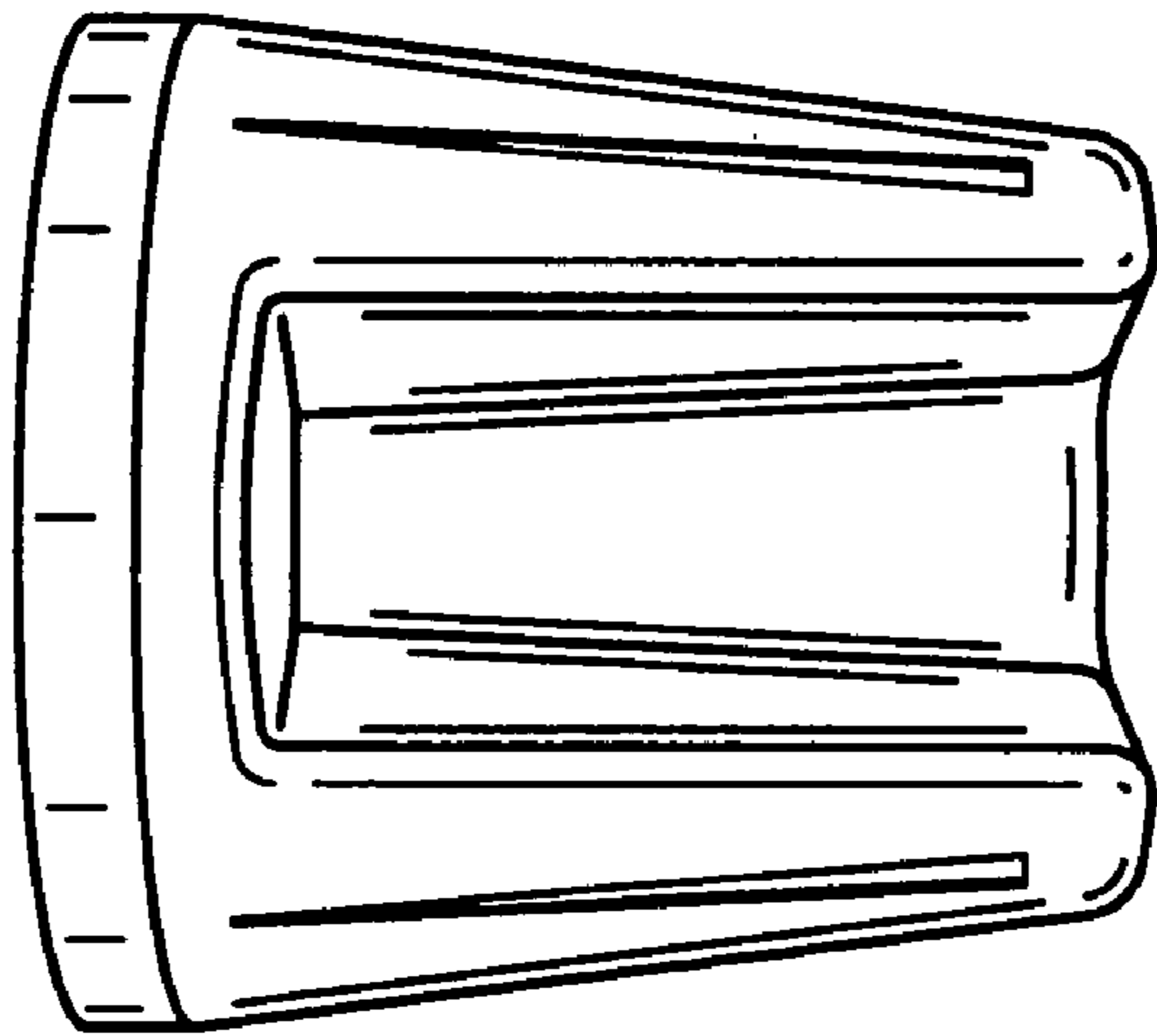


FIG. 5

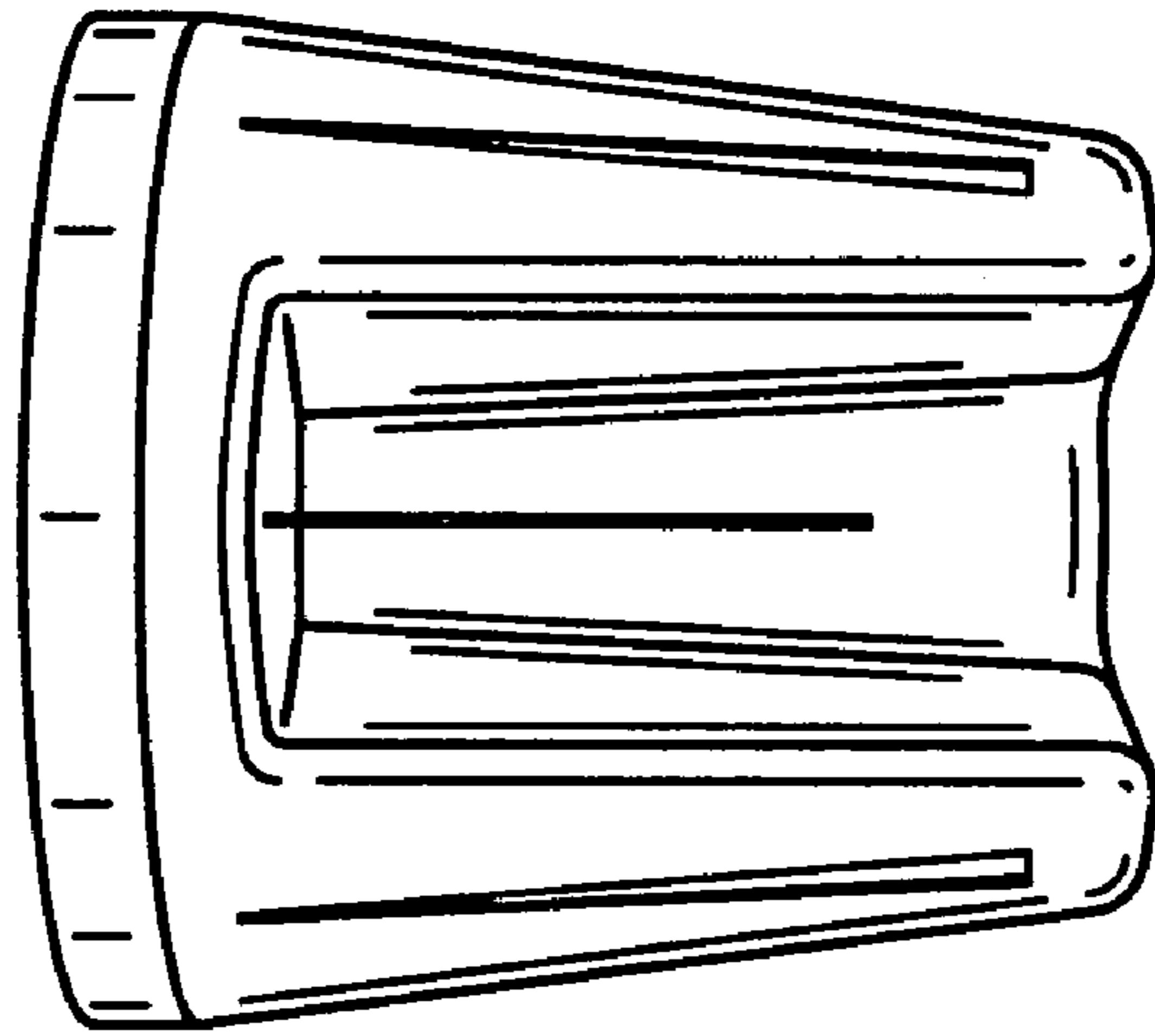


FIG. 6

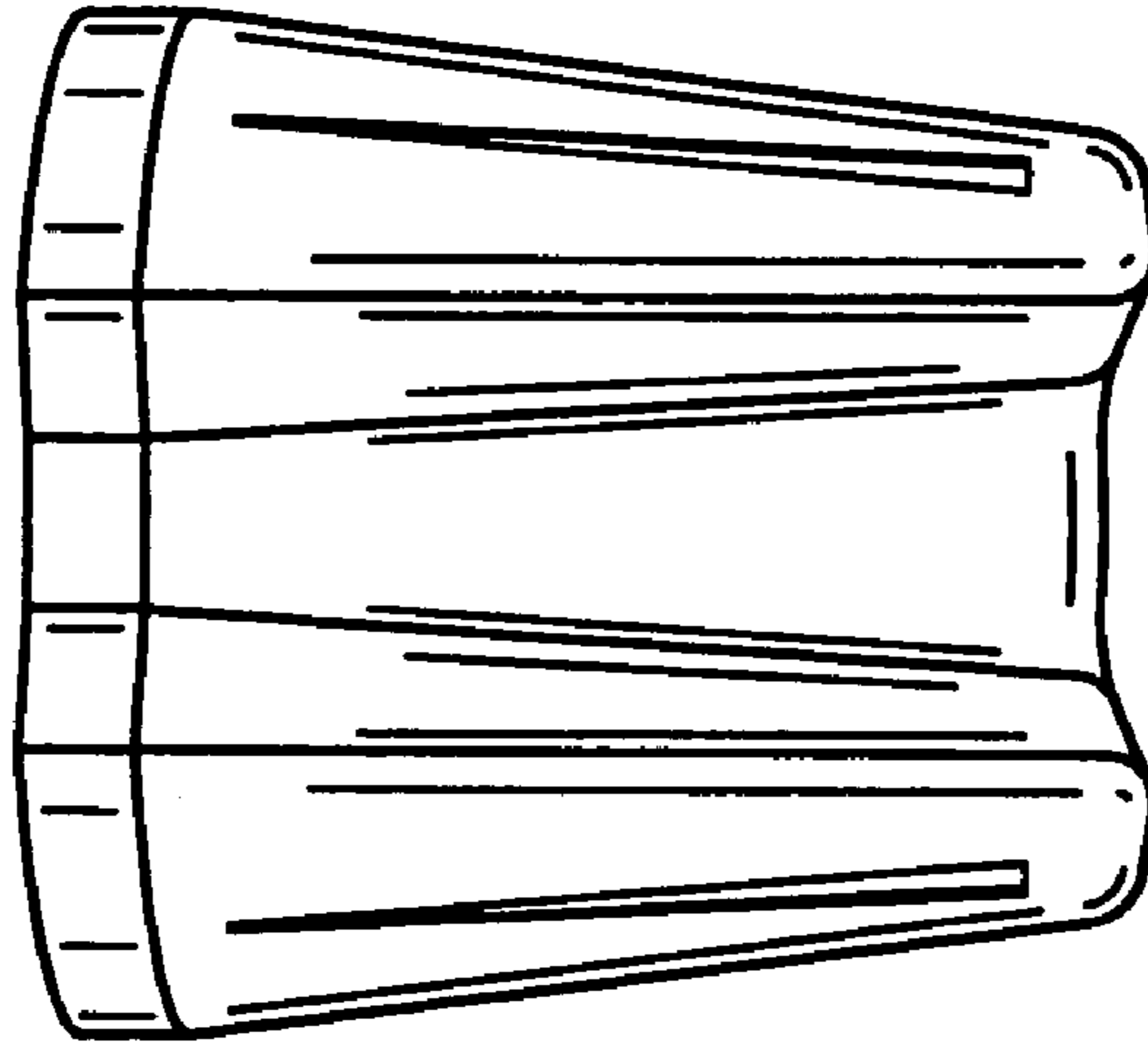


FIG. 7